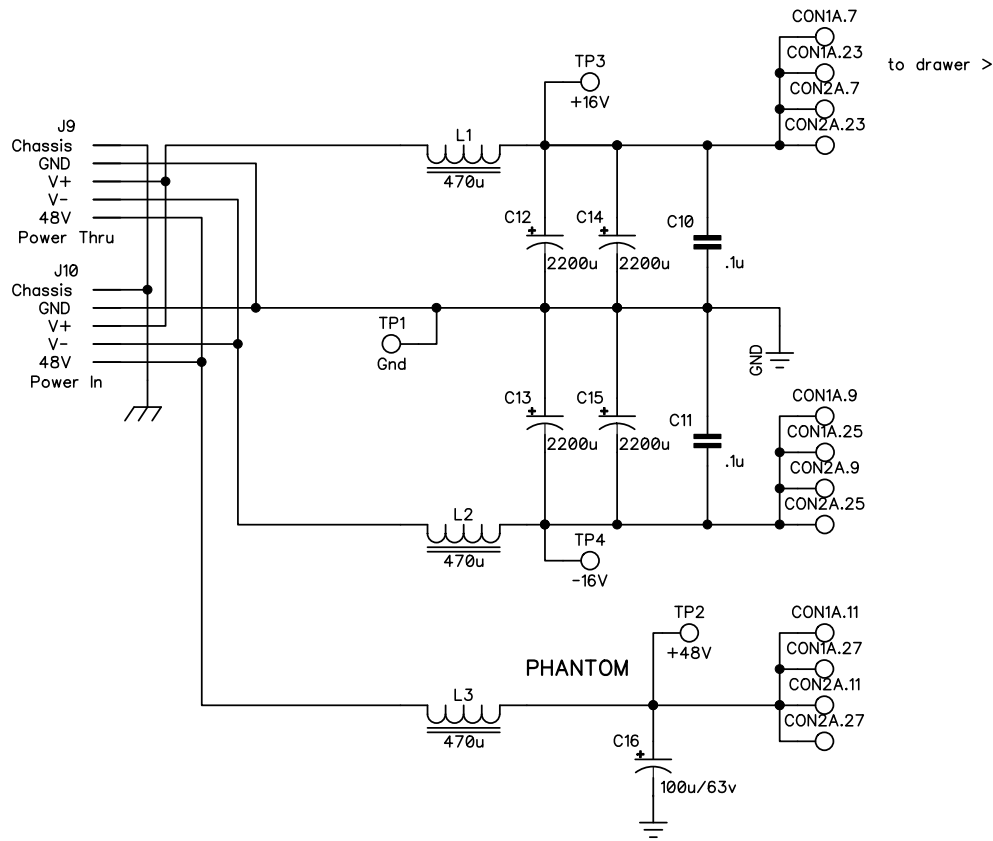
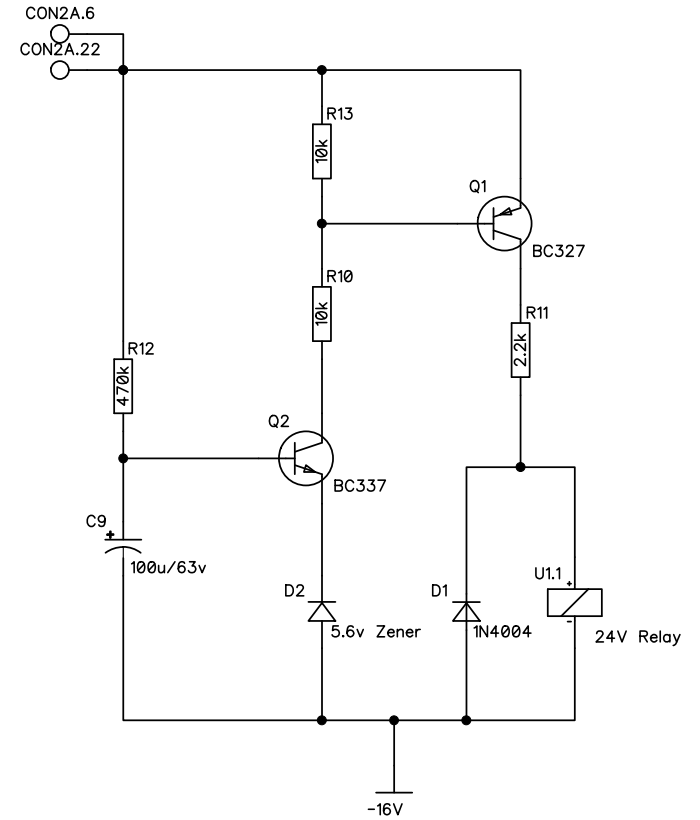


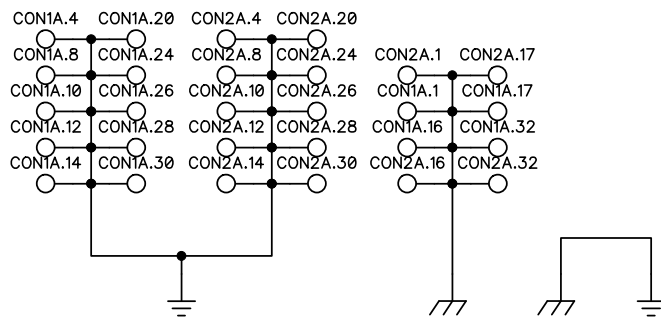
POWER CONDITIONING



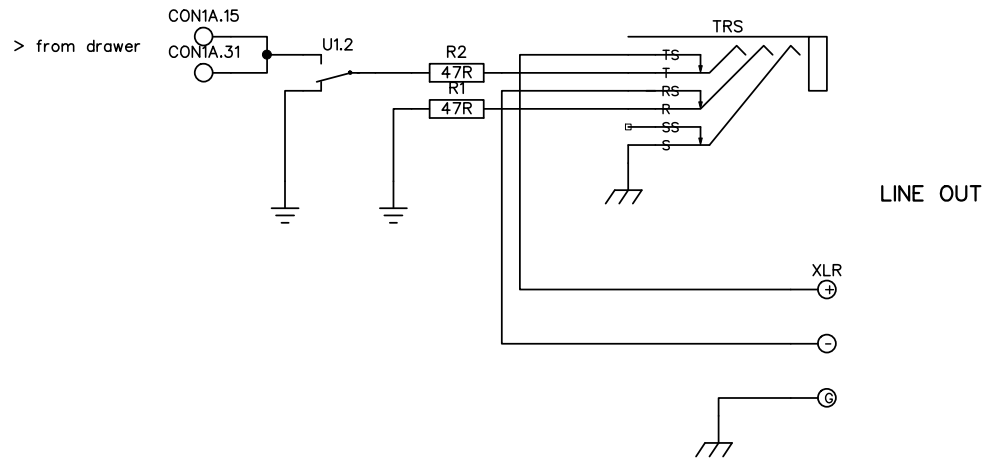
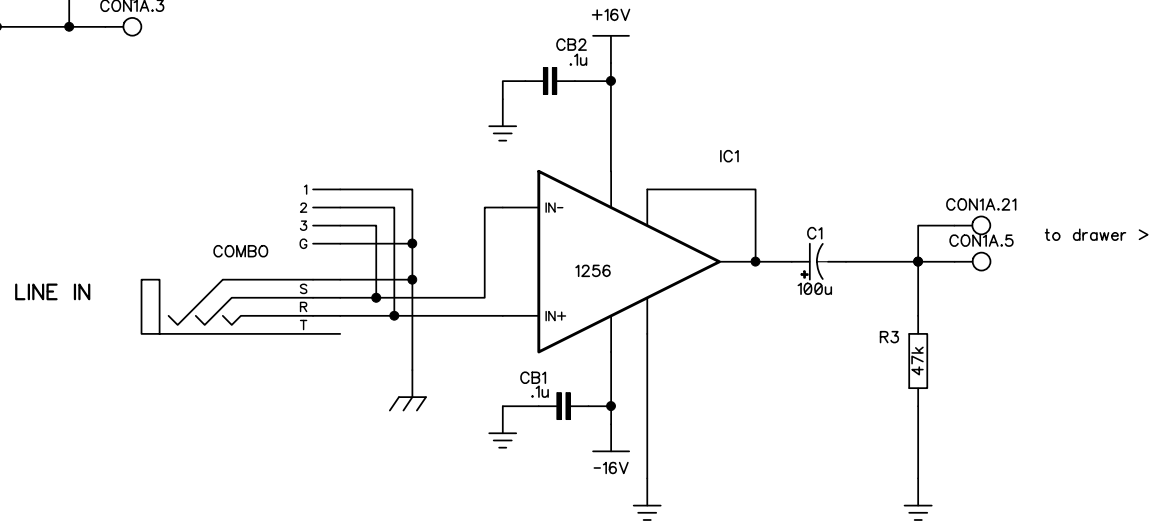
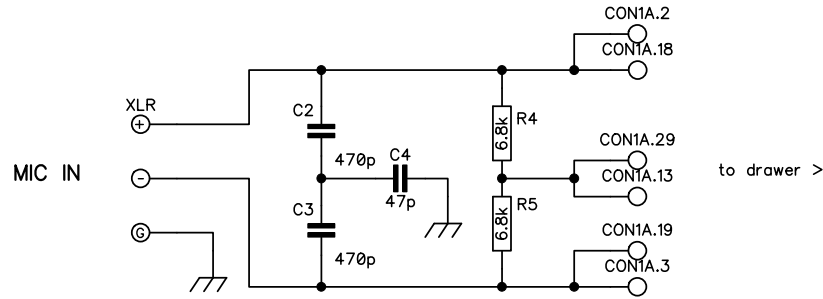
RELAY TIMING CIRCUIT



GROUND CONNECTIONS



Title	
Colour Duo IO Board	
Date	Rev
10/1/2020	1.0
Drawn by PG	Sheet 1/2
Creative Commons Attribution-ShareAlike 4.0	



Title	
Colour Duo I/O Board	
Date	Rev
10/1/2020	1.0
Drawn by PG	Sheet 2/2
Creative Commons Attribution-ShareAlike 4.0	