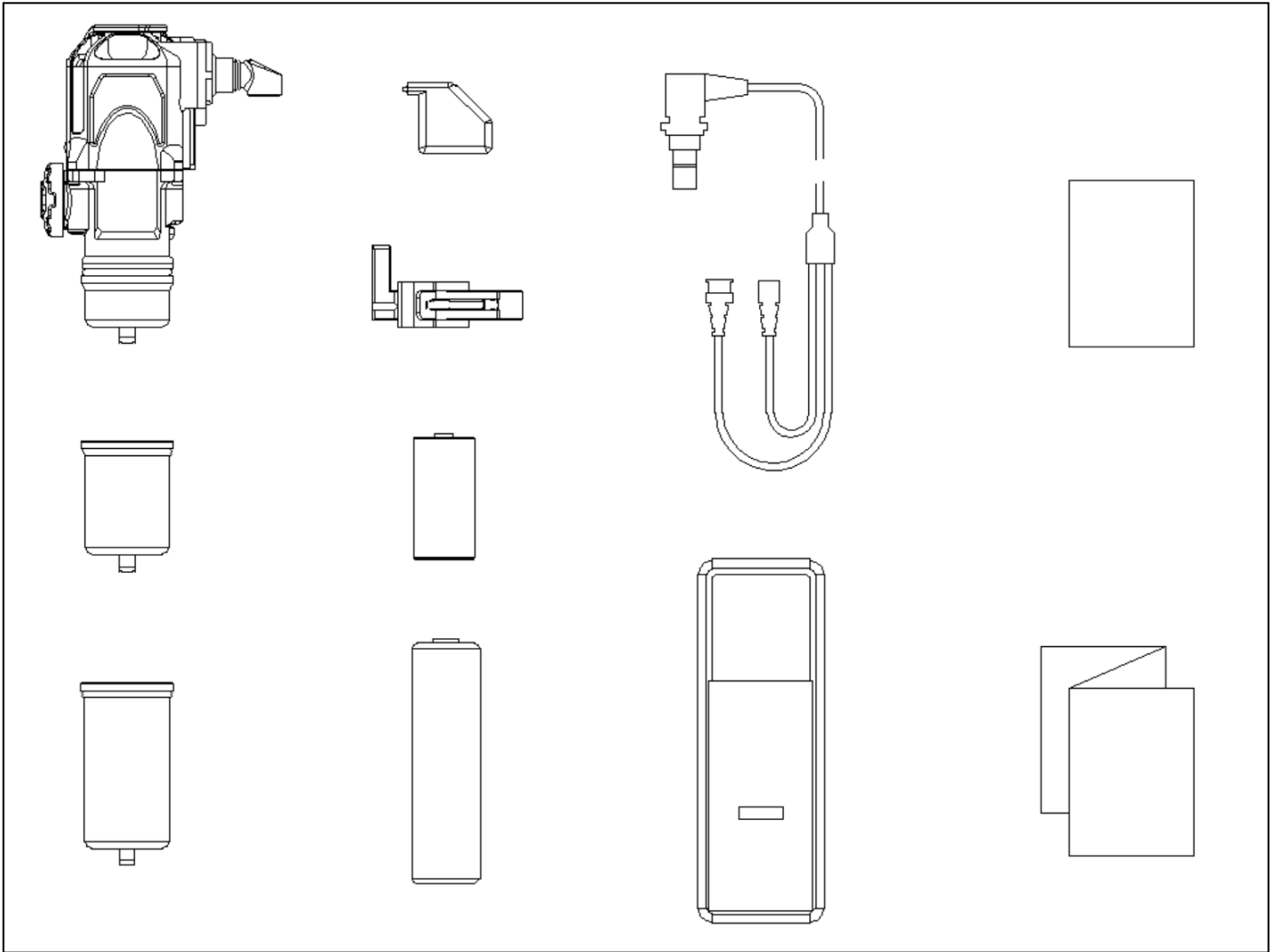


Jerry-C 前置红外融合眼镜
使用说明书

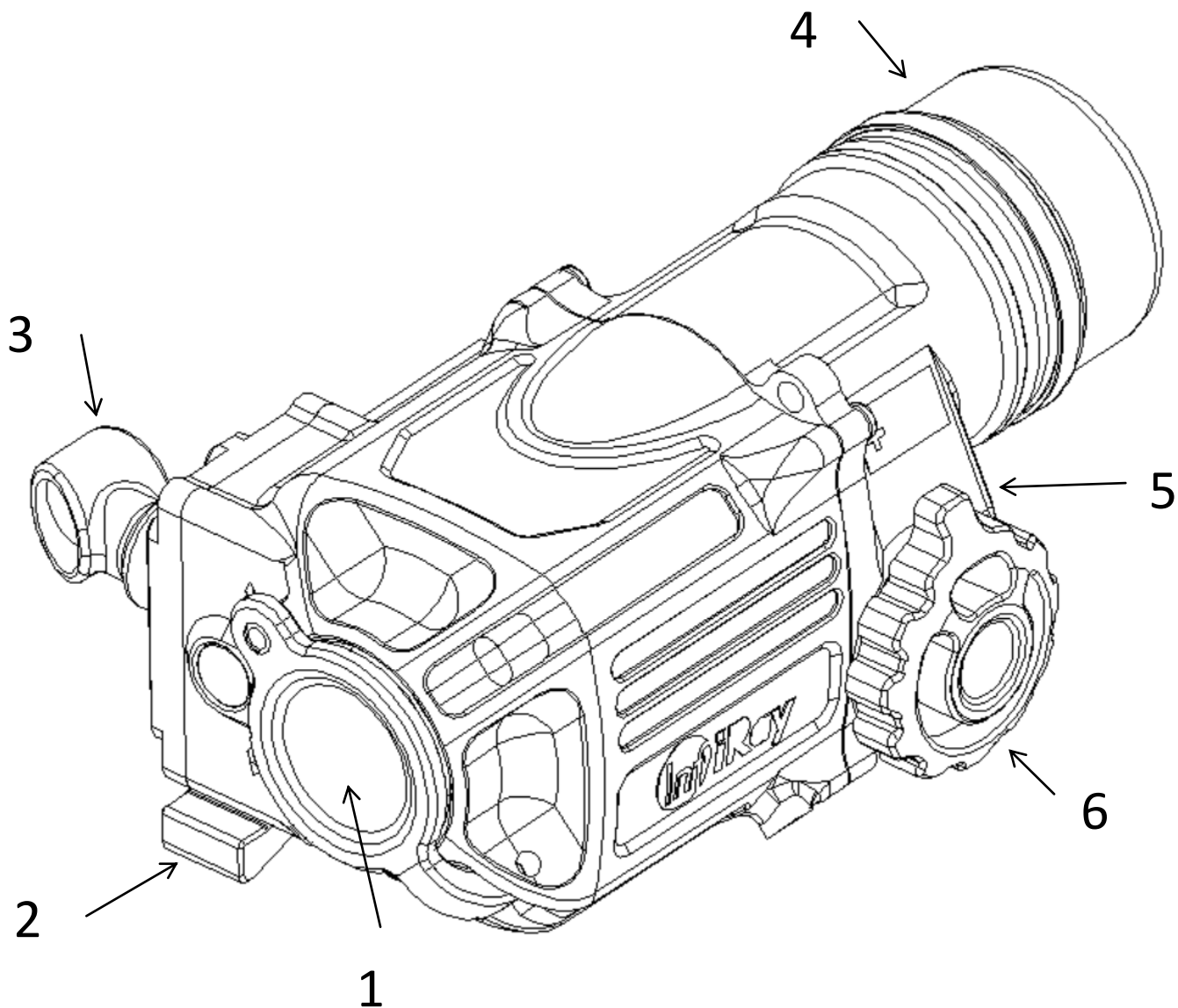
Jerry-C/Clip-on Thermal Imager
User Manual



- 1、主机
- 2、18500 电池盖
- 3、18650 电池盖
- 4、目镜保护套
- 5、快拆挂件（14/31）
- 6、17355 电池
- 7、18650 电池
- 8、外接线缆（PAL\DC-5V）
- 9、电池充电器
- 10、说明书

1. Thermal Imager
2. 18500 Battery Cover
3. 18650 Battery Cover
4. Eyepiece Protective Sleeve
5. Quick Release Pendant (14/31)
6. 17355 Battery
7. 18650 Battery
8. External Cable (PAL\DC-5V)
9. Battery Charger
10. User Manual

序号从上至下，从左至右



1、红外镜头

1. Infrared Lens

2、快拆卡扣

2. Quick Release Buckle

3、目镜

3. Eyepiece

4、电池仓

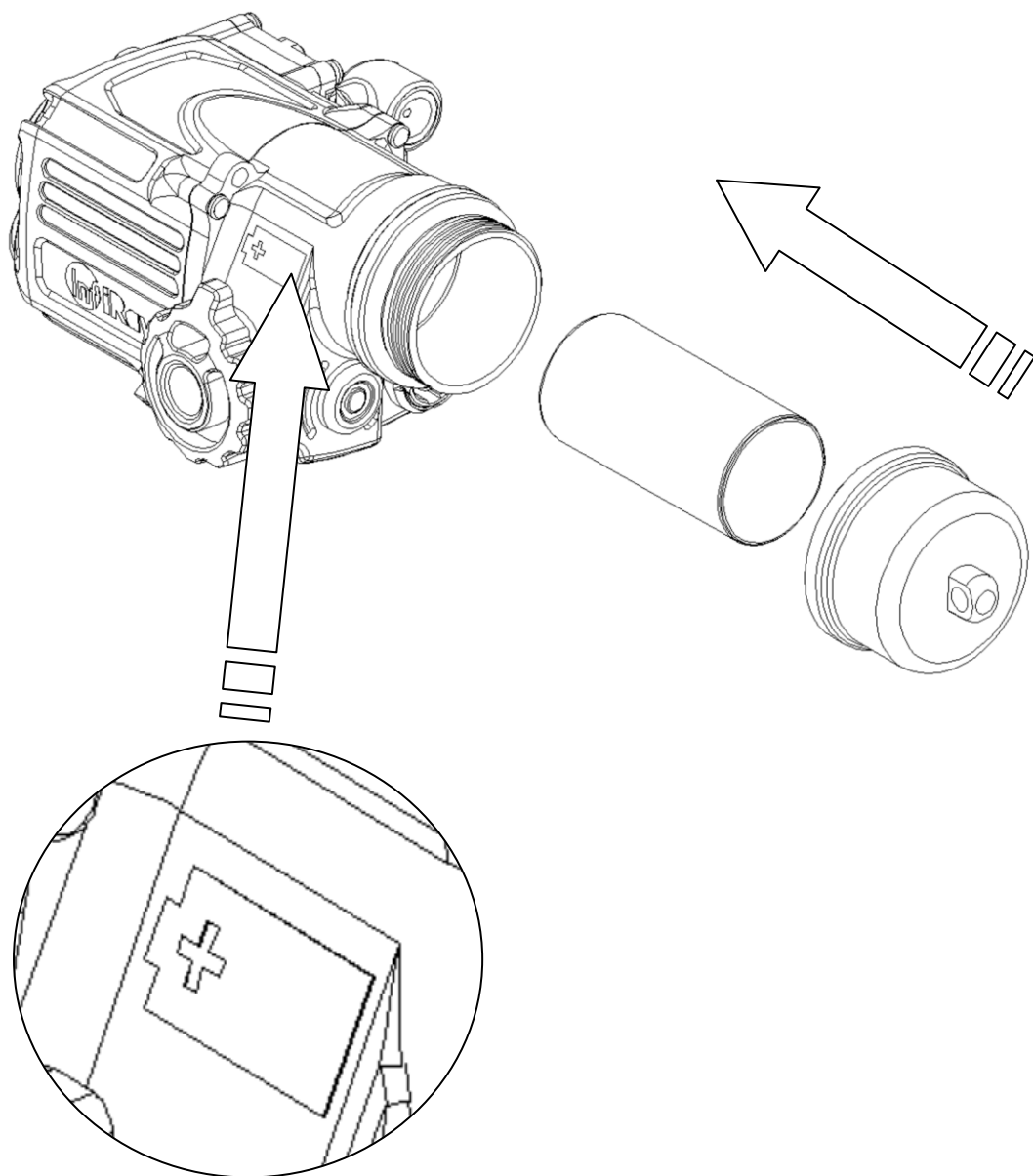
4. Battery Compartment

5、按键

5. Button

6、旋钮

6. Knob



1

根据壳体提示按正负极方向装入电池、旋入电池盖

Put in the battery according to the positive and negative direction instructed by the symbol on the shell and screw in the battery cover

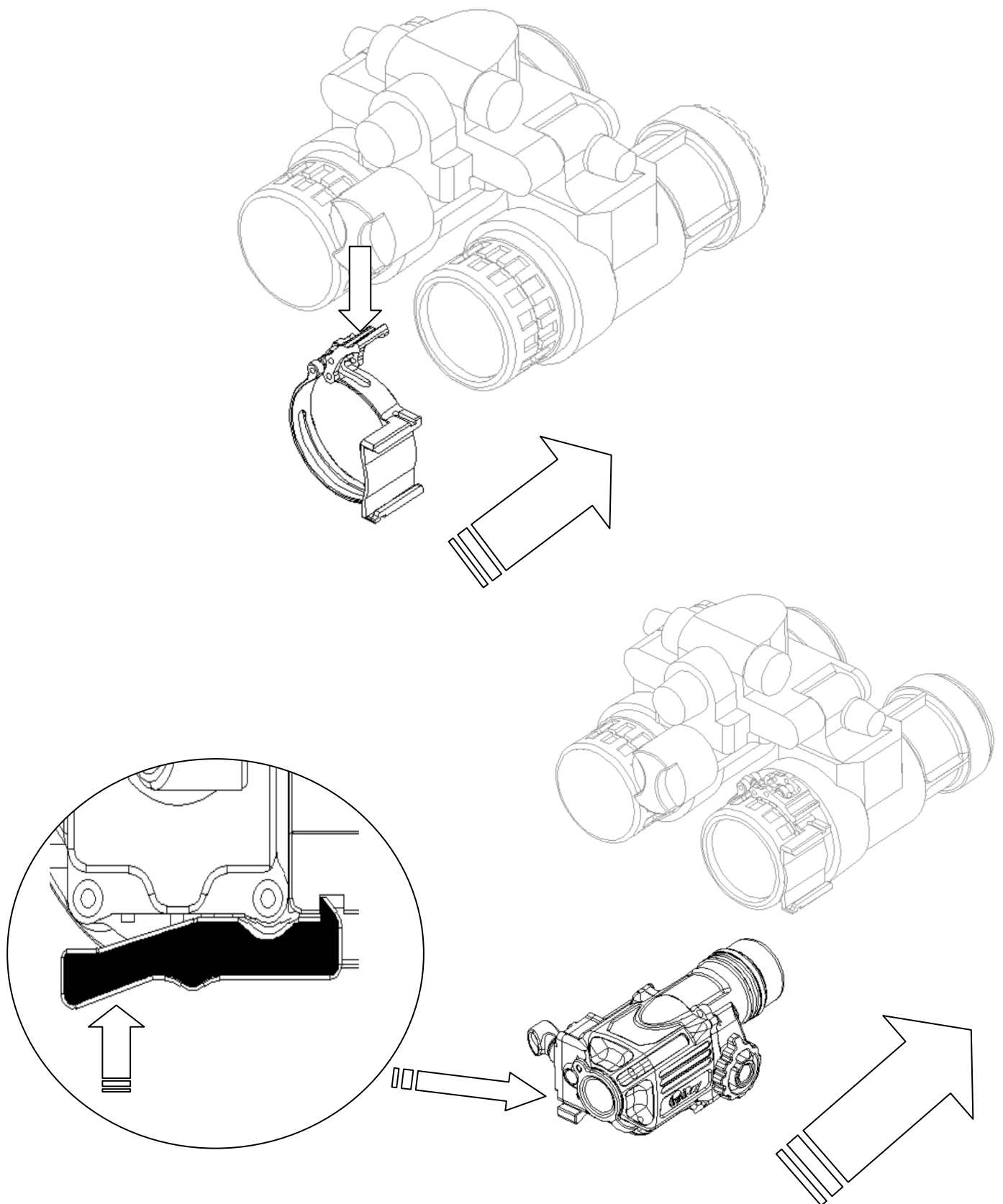


图 1、快拆架装入镜头筒，并扣上卡扣

Figure 1. Install the Quick Release Pendant onto the lens barrel and buckle it on

图 2、主机沿导轨装入,并扣上卡扣

Figure 2. Install the Thermal Imager along the guide rail and buckle it on

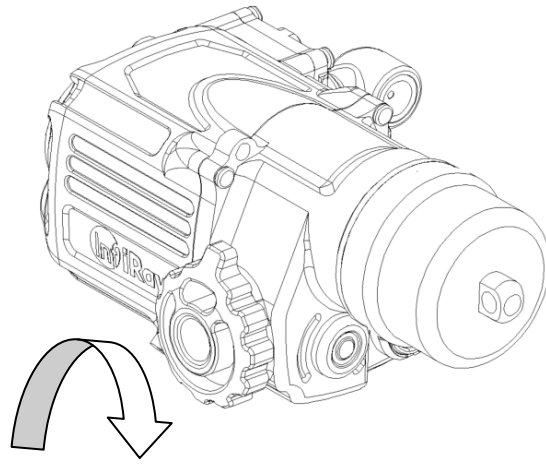


图 1、旋转旋钮开机，

Figure 1. Turn the knob to start up

图 2、开机后出现初始开机画面，待初始化后进入默认模式。

Figure 2. The initial startup screen appears after booting, and it enters the defaulted mode after initialization

图 3、默认为白热模式、常亮功能。

Figure 3. White Hot Mode (W)and Everbright Function(N) are defaulted to be on

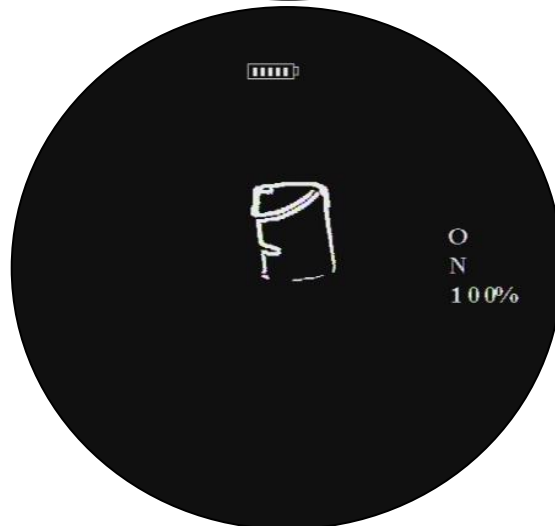
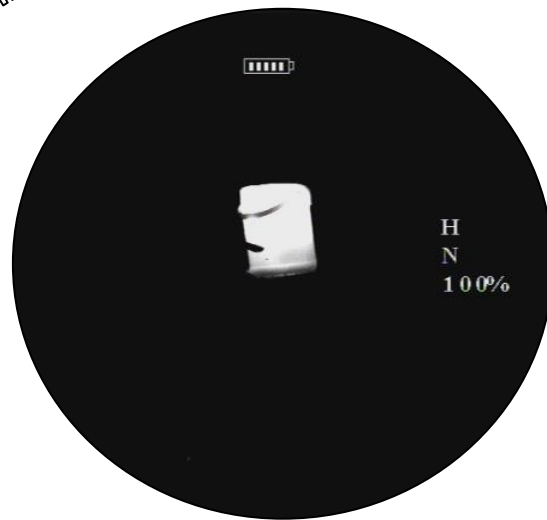
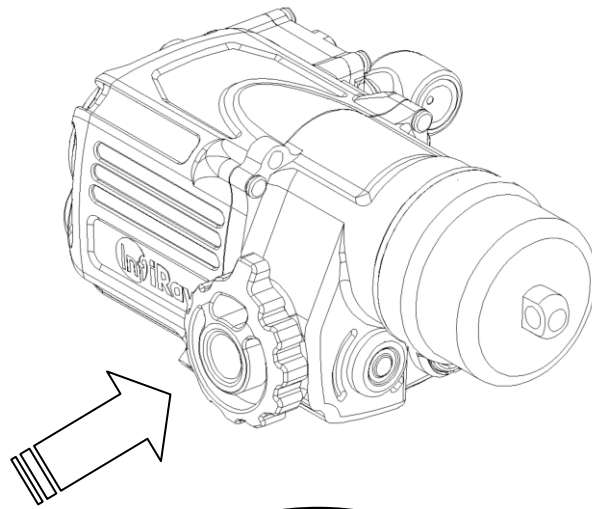


图 1、短按旋钮切换模式，依次为白热、凸显、轮廓
长按旋钮为快门校正功能，进行图像优化校正。

Figure 1. Short press the knob to switch mode, which are White Hot Mode(W), Highlight Mode(H), and Outline Mode(O)

Press and hold the knob for shutter correction to optimize and correct the image

图 2、切换凸显模式

Figure 2. Switch to Highlight Mode(H)

图 3、切换轮廓模式

(白热模式为全热像显示、凸显模式为热目标显示、轮廓模式为热目标边缘轮廓显示)

Figure 3. Switch to Outline Mode(O)

(White Hot Mode displays full thermal image; Highlight Mode displays the hot target; Outline Mode displays the outline of the hot target)

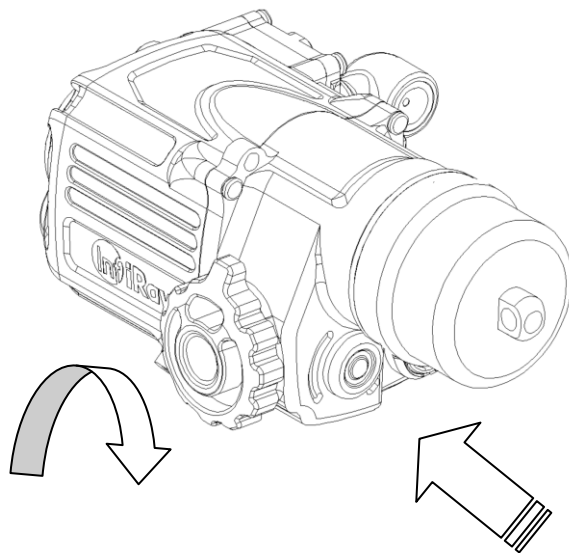


图 1、短按按键切换功能，依次为常亮（图 2）、呼吸（图 3）

Figure 1. Short press the button to switch functions, which are Normally On (Fig. 2) and Breathing (Fig. 3)

常亮功能下旋转旋钮为亮度调节

Under the function of Normally On, turn the knob to adjust the brightness

呼吸功能下旋转旋钮为呼吸频率调节

Under the function of Breathing, turn the knob to adjust the breathing rate

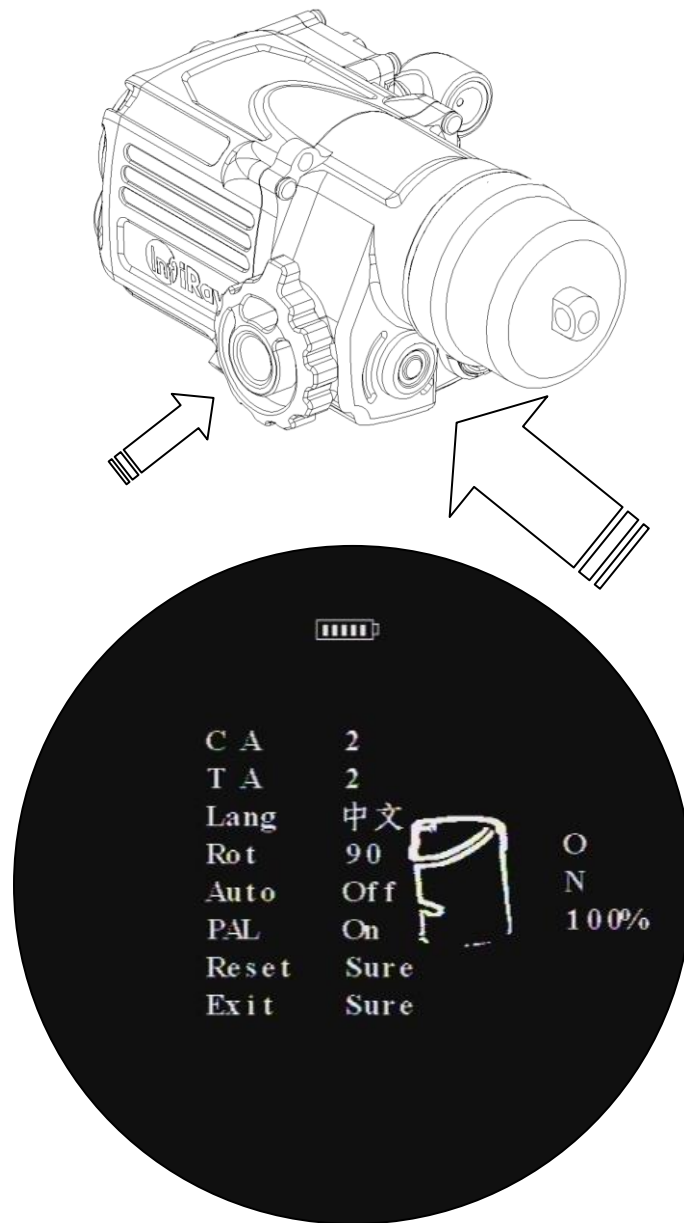


图 1、长按按键进入菜单

Figure 1. Press and hold the button to enter Menu

短按旋钮菜单换行

Short press the knob to turn to the next line

短按按键功能切换

Short press the button to switch functions

图 2、对比：白热模式下 3 档调节（对比度从弱到强调节）

Figure 2. CA : 3-gear adjustment in White Hot Mode (Contrast is adjusted from weak to strong)

阈值：轮廓模式下 3 档调节（轮廓值从弱到强调节）

TA : 3-gear adjustment in Outline Mode (Outline value is adjusted from weak to strong)

翻转：360° 调节（与安装位置适配）

Rot : Menu Flip 360°adjustable (Suitable for installation position)

自动：打开或关闭自动亮度功能

Auto : Turn on/off Auto Brightness function

视频：打开或关闭外接 PAL 制视频（常规状态需关闭）

PAL : Turn on/off the external PAL video (It needs to be normally off)

重置：恢复出厂默认设置

Reset: Reset to the factory default settings

退出：退出菜单模式（退出时默认保存现有状态）

Exit: Exit Menu Mode (The existing state will be saved by default when exiting)

Jerry-C 型号参数
Jerry-C Specifications

型号 Model	C2	C5
探测器分辨率 Detector Resolution	384×288	640×512
像元尺寸 Pixel Pitch	12 μm	
镜头焦距 Focal Length	11.5mm	
视场角 FOV	17°	30.5 度 30.5°
40° 微光管覆盖率 Coverage Rate of 40° Low Light Tube	42.5%	76%
显示模式 Display Mode	白热、凸显、轮廓 White hot, highlight, outline	
功能 Function	常亮、呼吸 Normally on/Breathing	
自动亮度 Auto Brightness	支持 Support	
快门校正 Shutter Correction	支持 Support	
视频输出 Video Output	支持 Support	
外部供电（取出电池） External Power Supply (Without Battery)	3.8V	
数据接口 Data Interface	支持 Support	
工作温度 Operating Temperature	-40℃到+60℃ -40℃~+60℃	
防护等级 IP Grade	IP67	
重量 Weight	110g	