



INSTALLATION GUIDE





Thanks to TUDA's effort,
the new style slatted cladding which developed by the team
has applied an innovative and
sophisticated Installation method,
it has considered the detailed design of the main
components which avoid the damage caused by the
material expansion and shrinkage
due to temperature fluctuations.

Each component from TUDA's slatted
cladding system has been put much
attention on the innovation of design to
make it more elegant and durable.

IMPORTANT NOTES

READ BEFORE STARTING INSTALLATION

Before starting any work, we recommend that you read these instructions and familiarise yourself with all the components, the options available and the method of installation that you are going to use. All diagrams and instructions in this guide are for illustration purposes and are not meant or intended to replace a professional installer. Any work undertaken with HOSUNG products must be in accordance with any building regulations required. The consumer assumes all risks and liability that may or may not be associated with the use of this product.

SAFETY

Prior to commencing any construction work ensure that you have the appropriate safety wear and equipment to avoid any risk of injury.

TOOLS

Woodworking tools may be used. We recommend that any cutting blades used have a carbide tip. We recommend all screws and fixings to be stainless steel or adequately coated and fit for outdoor use.

- Jig Saw
- Hand Drill
- Tape Measure
- Set Square
- String line
- Spirit Level
- Protective eye wear and relevant Personal Protection Equipment (PPE)
- Pencil

CONSTRUCTION

We recommend that prior to any work, a plan of the work is done to ensure the best possible looking cladding for your project and to ensure that you have all the required components to enable you to complete the installation. Door and window apertures should be finished off with the appropriate trims to suit the respective installation.

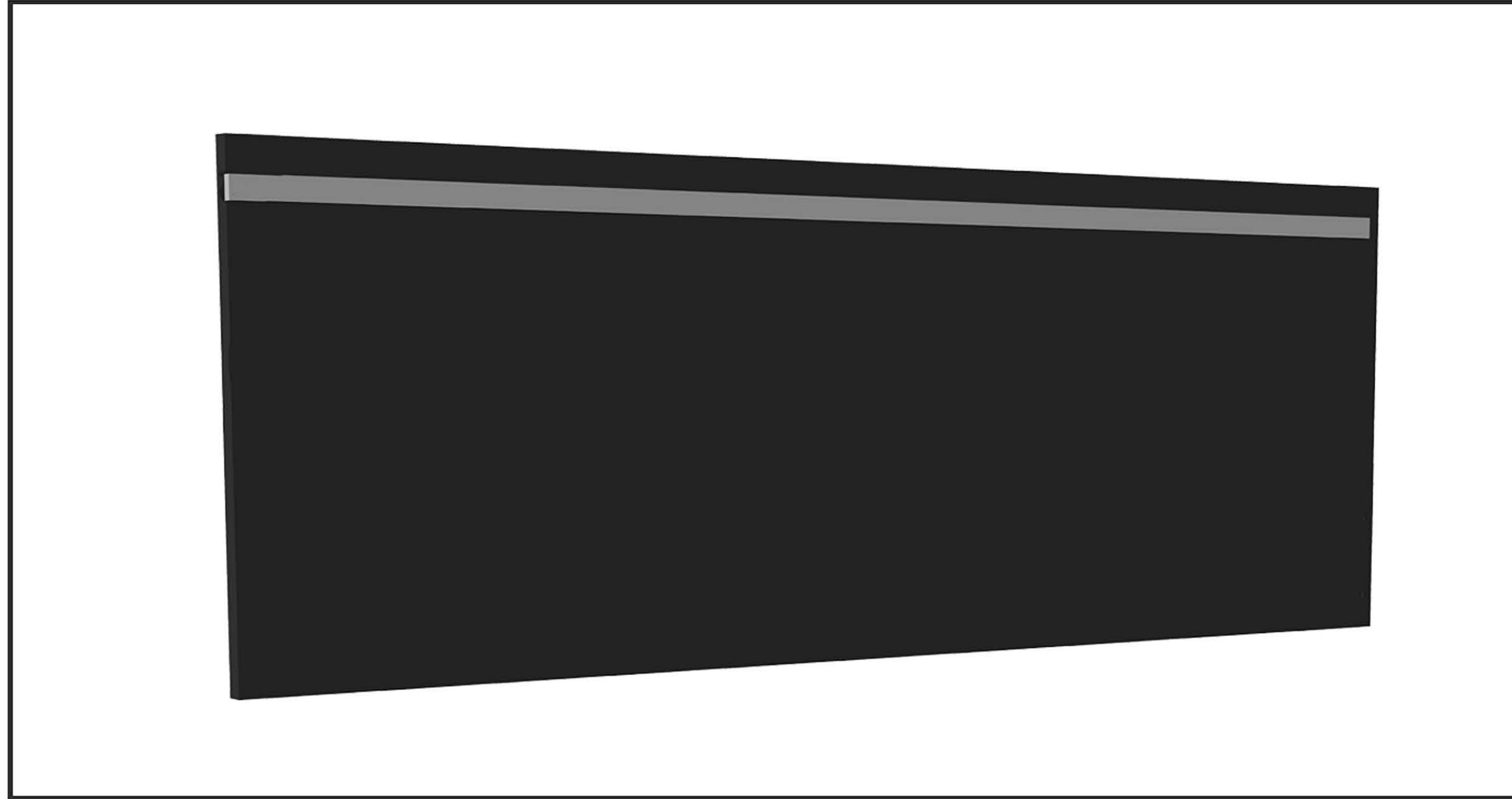
INSTALLATION

There are various ways that HOSUNG slatted cladding can be installed. This installation guide gives an overview of some typically used methods and installation guide line.

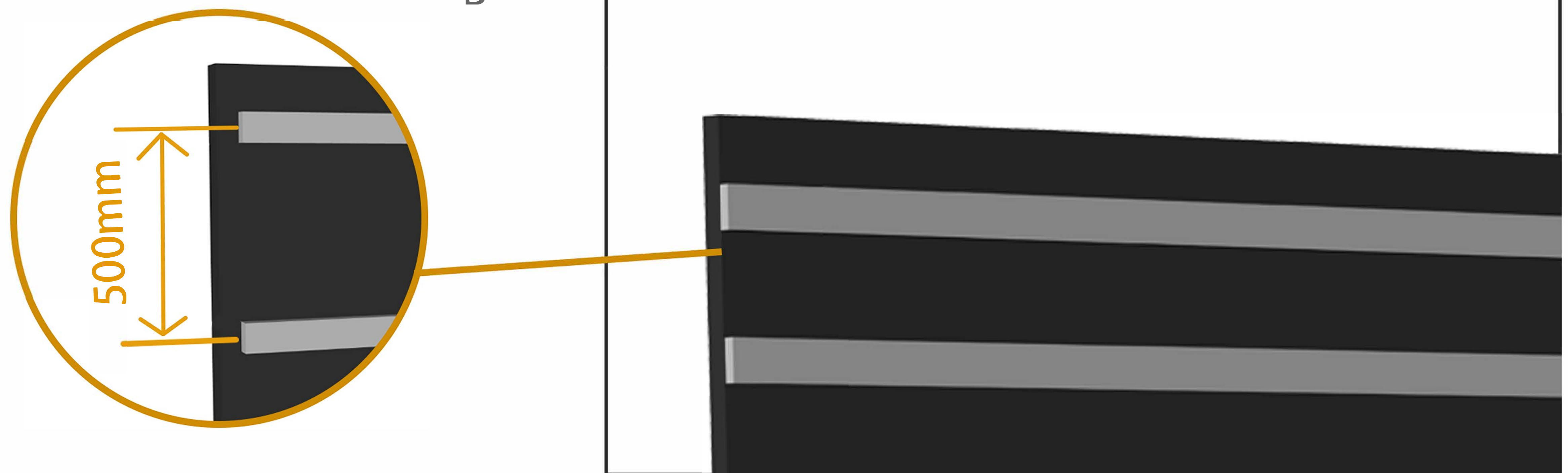
INSTALLATION **GUIDE**

STEP 1

A



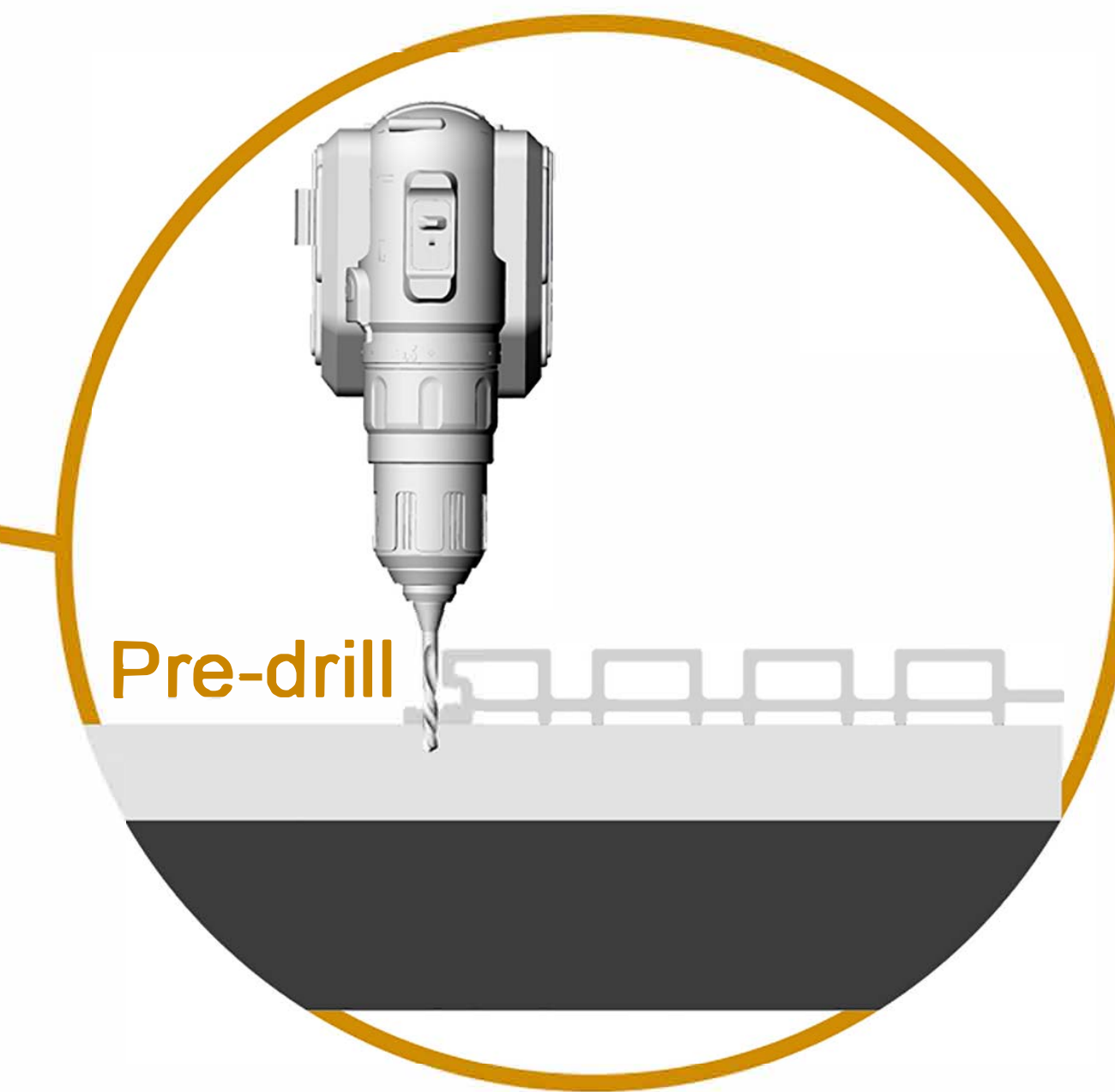
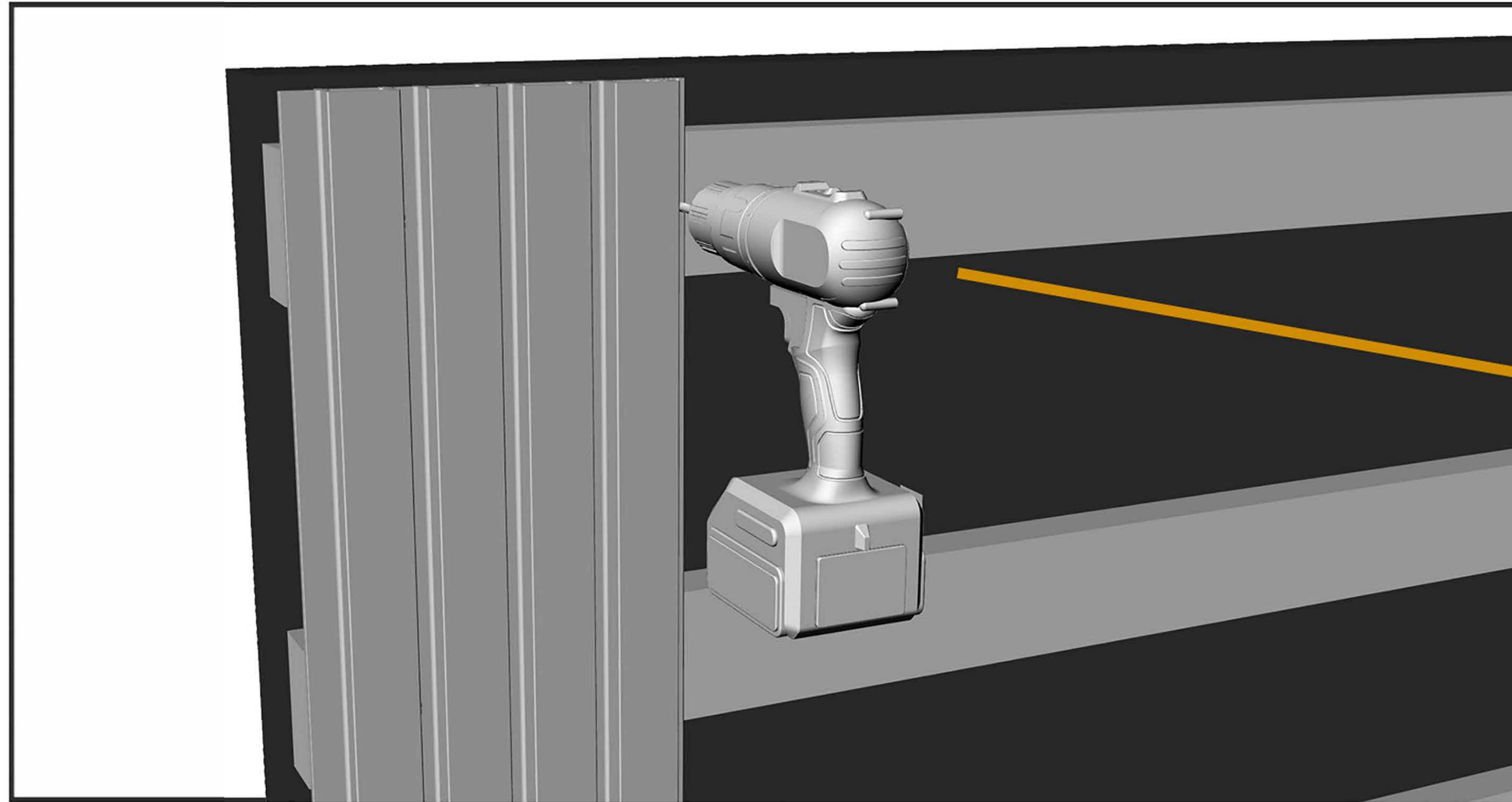
B



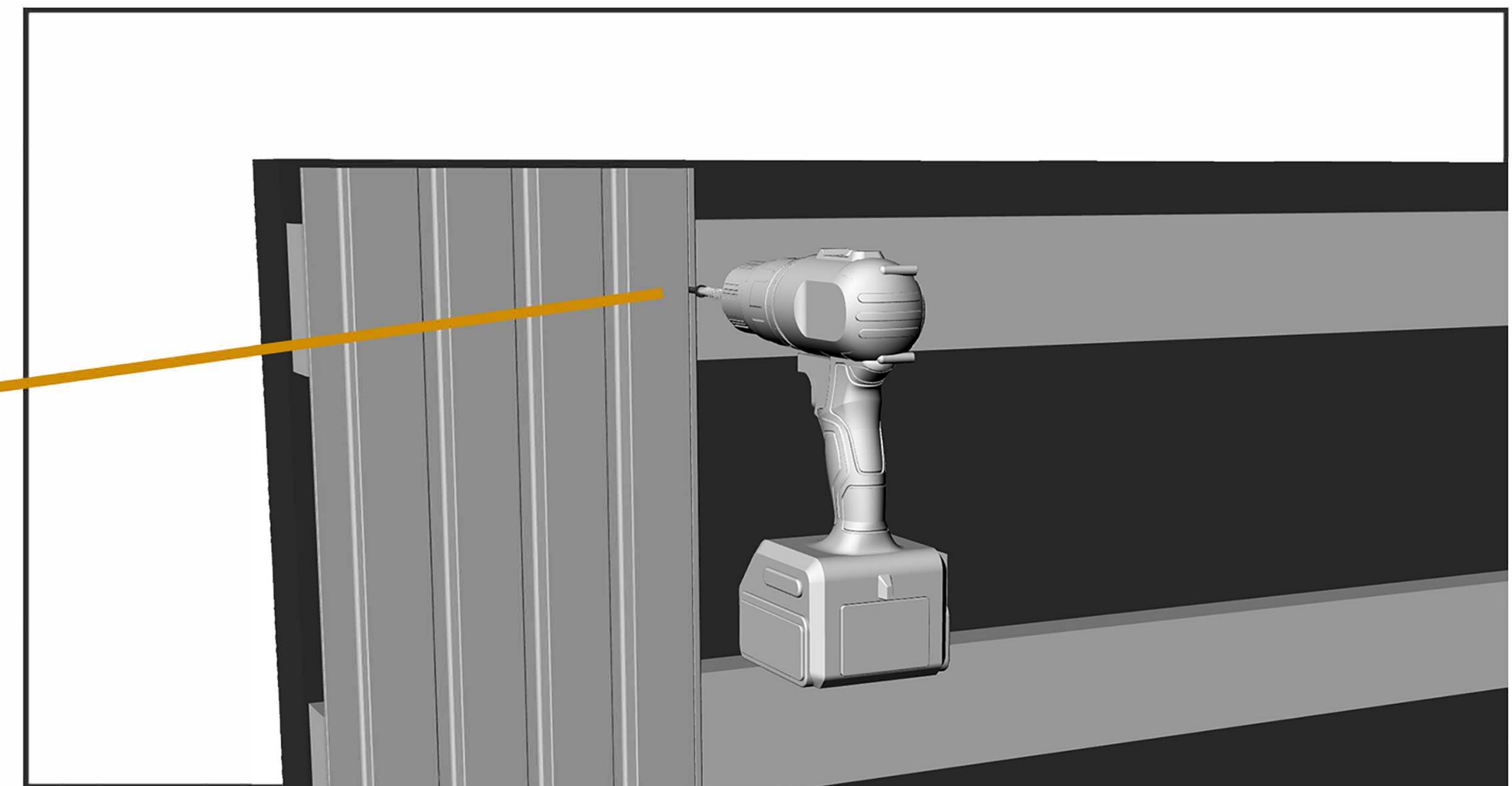
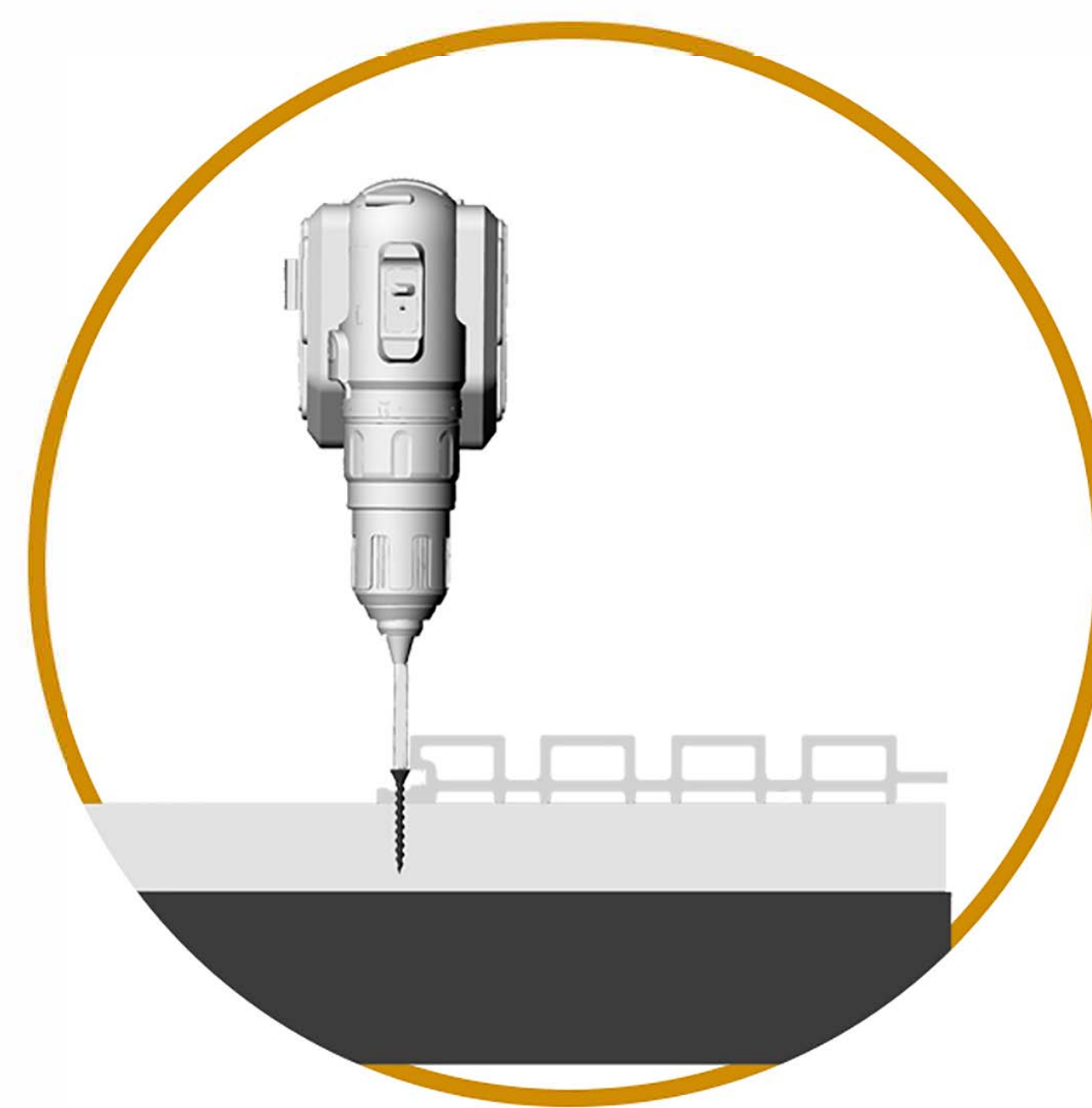
INSTALLATION **GUIDE**

STEP 2

E



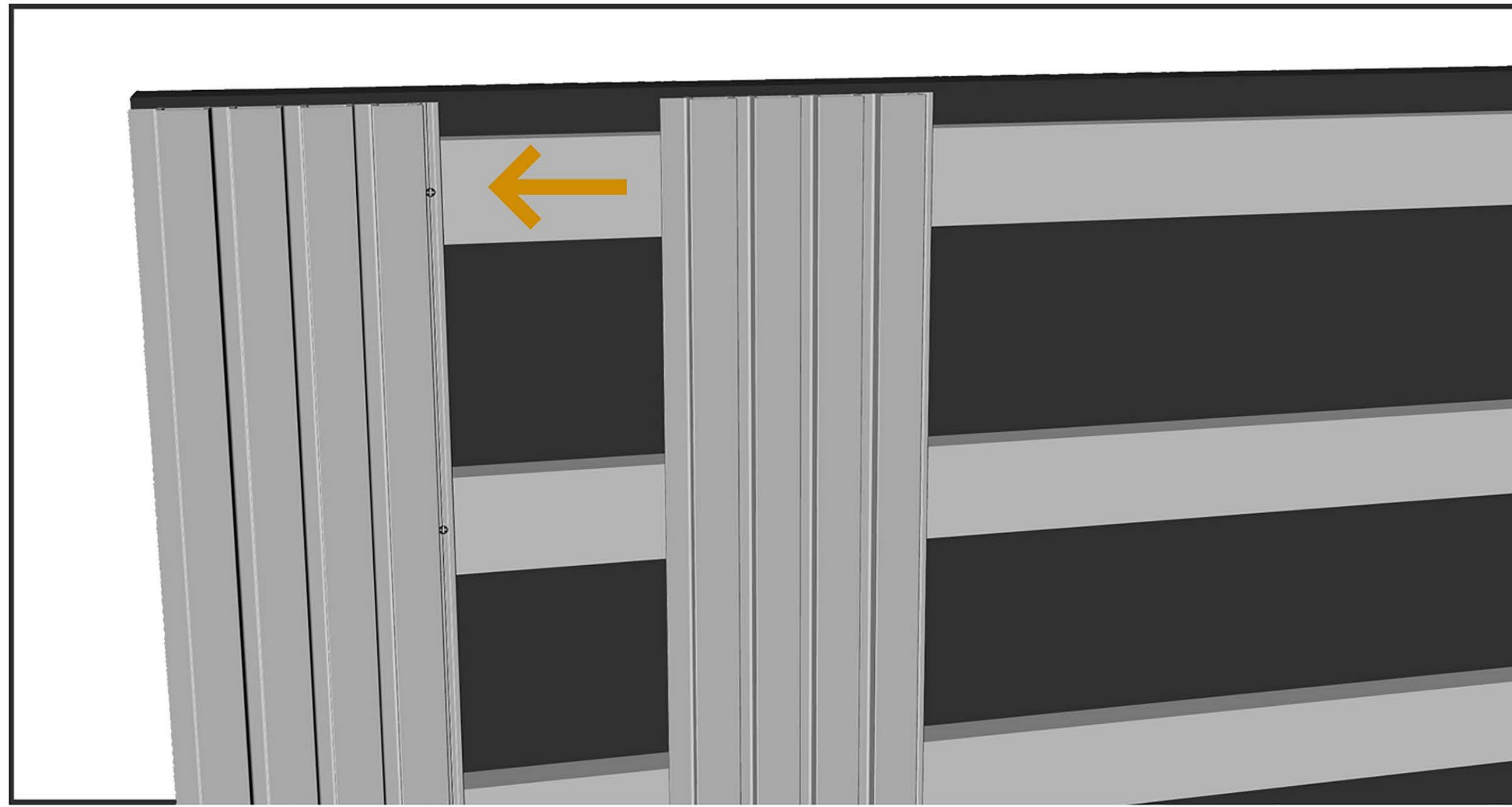
F



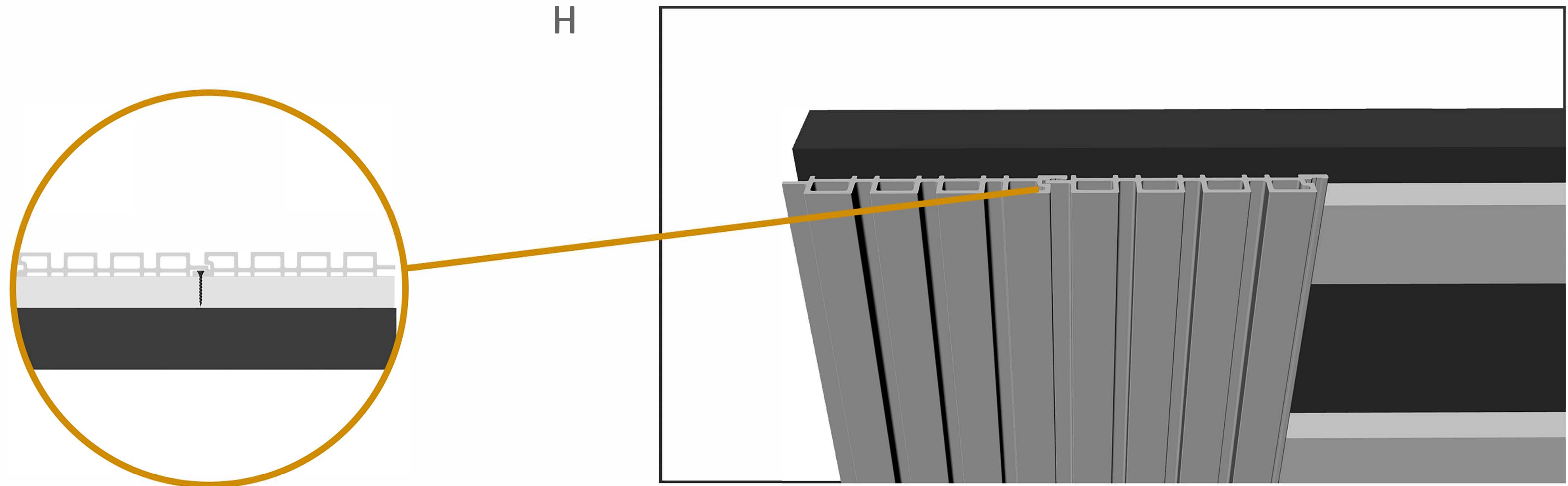
INSTALLATION **GUIDE**

STEP 2

G



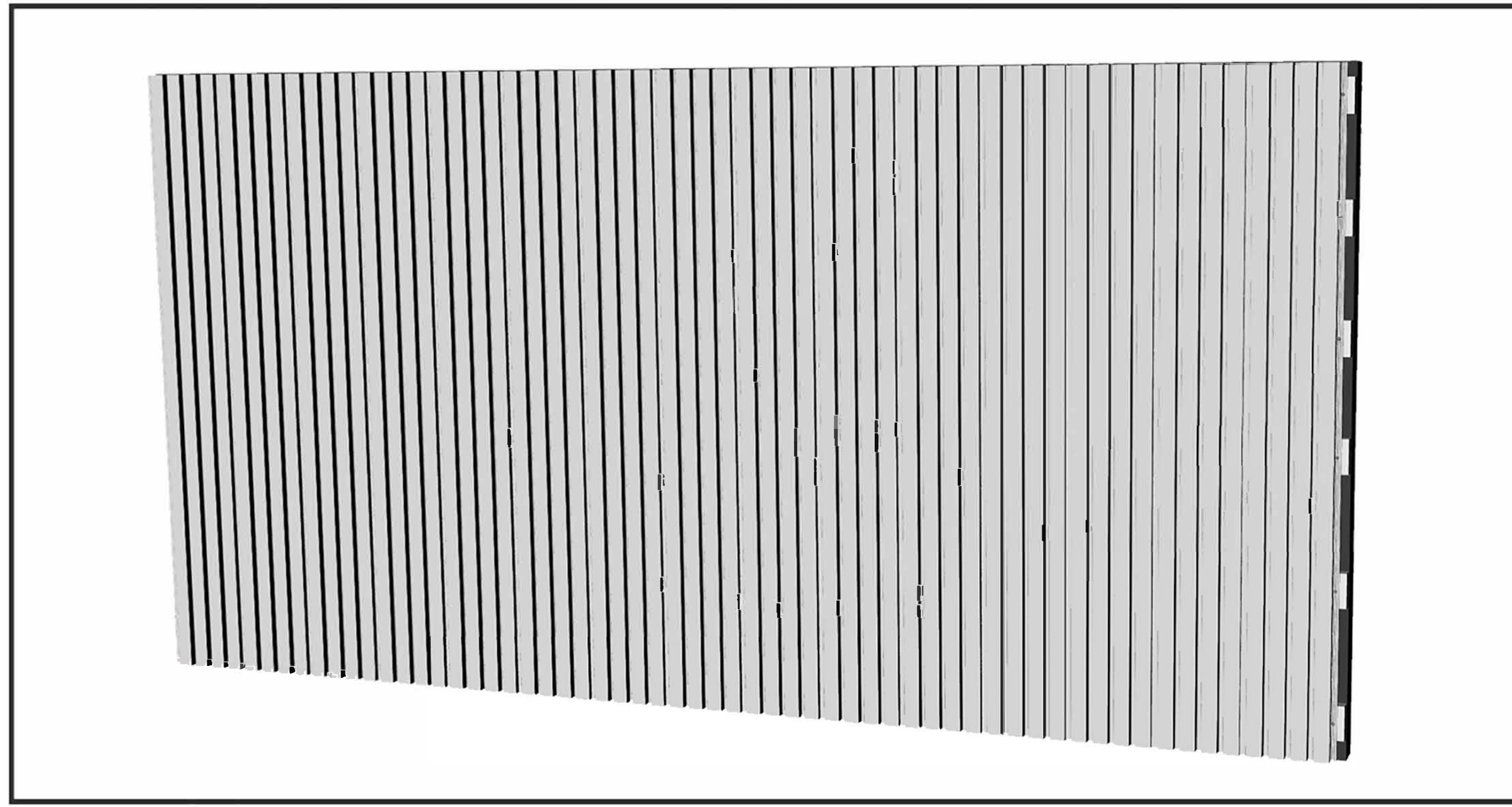
H



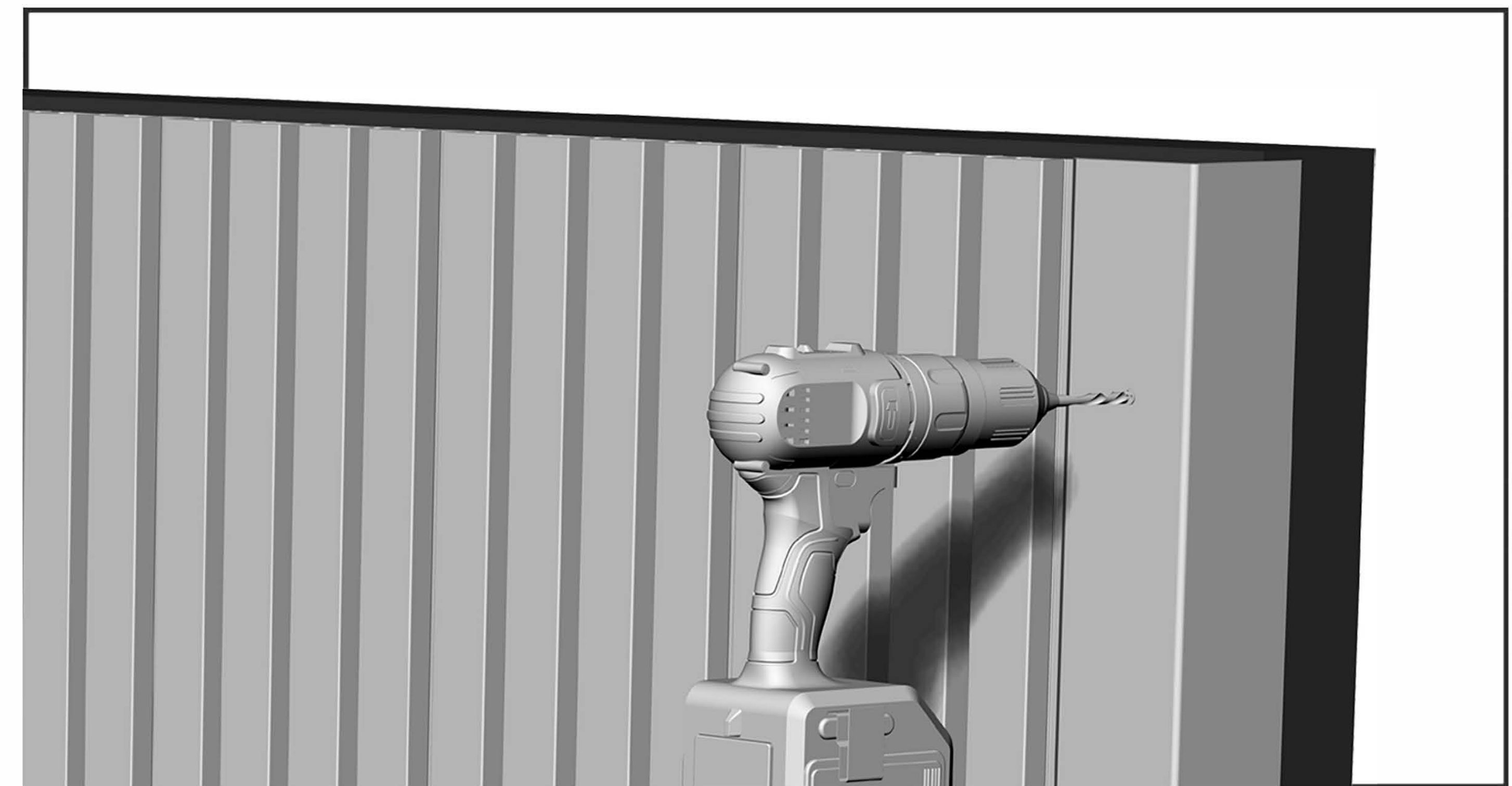
INSTALLATION **GUIDE**

STEP 2

I



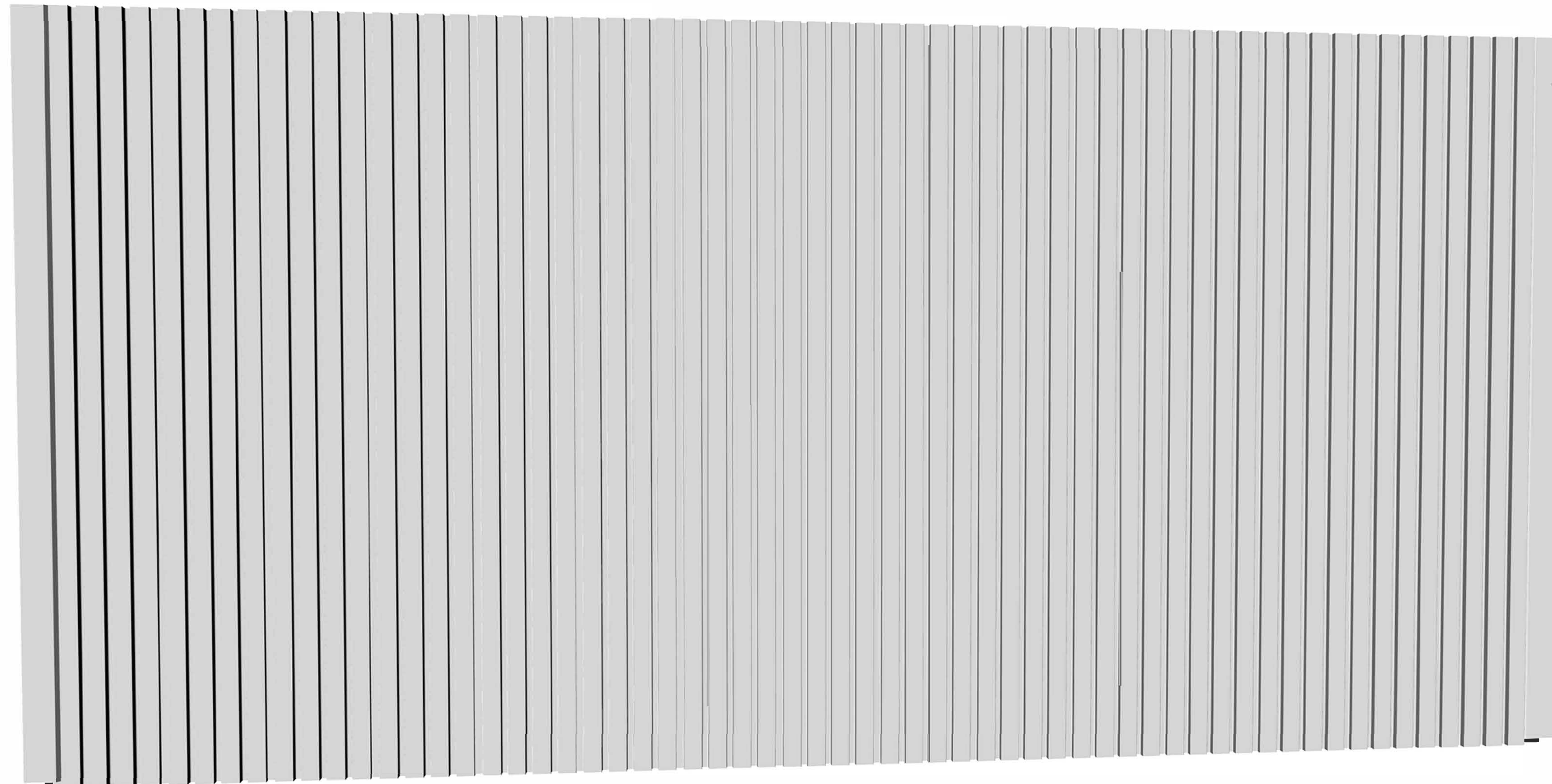
J



INSTALLATION **GUIDE**

STEP 4

J



TUDA GRASS - T&A UPHOLSTERY SUPPLIES LTD

Address: Units 46/47 Stakehill Industrial Estate, Touchet Hall Road, Middleton,
M24 2FL

Tel: 0161 696 0078

Email: sales@tudagrass.co.uk

