



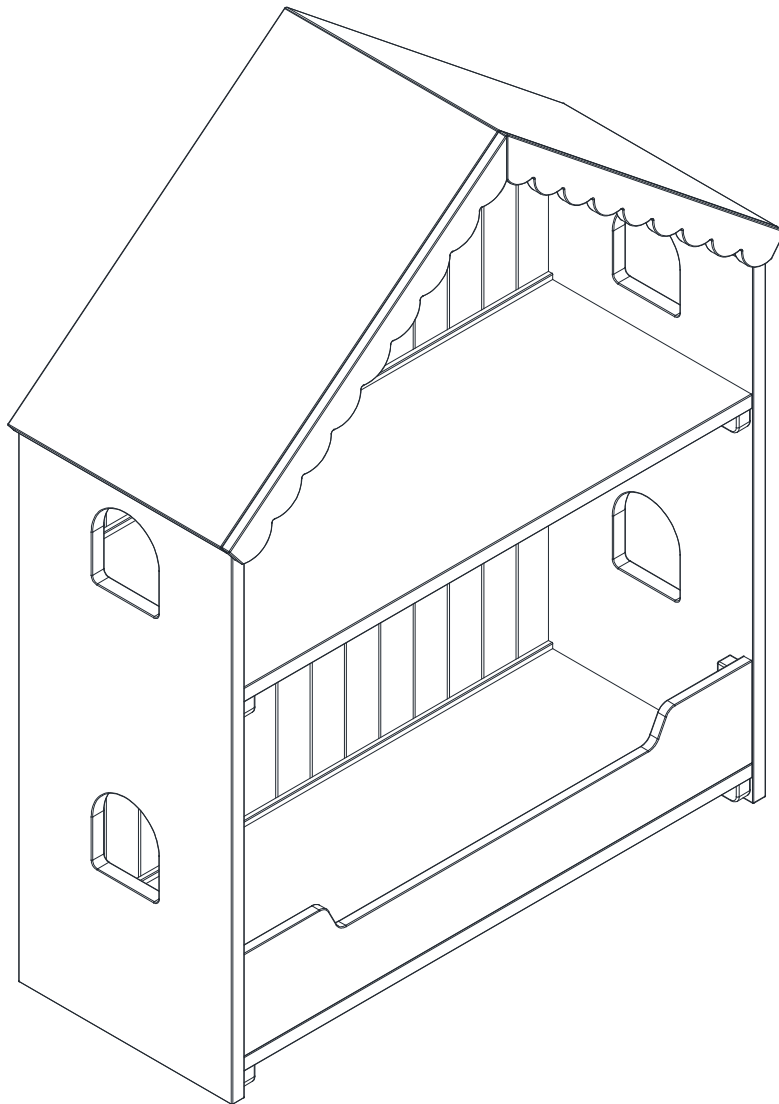
By Sorelle - A Division of C & T International, Inc.

46 Whelan Road, East Rutherford, N.J.07073 U.S.A.

Tel, +1(201) 531 1919 Fax, +1(201) 531 1920

Website: www.sorellefurniture.com

19000 SWEETHOME BOOKCASE Assembly Instruction



Important Information:

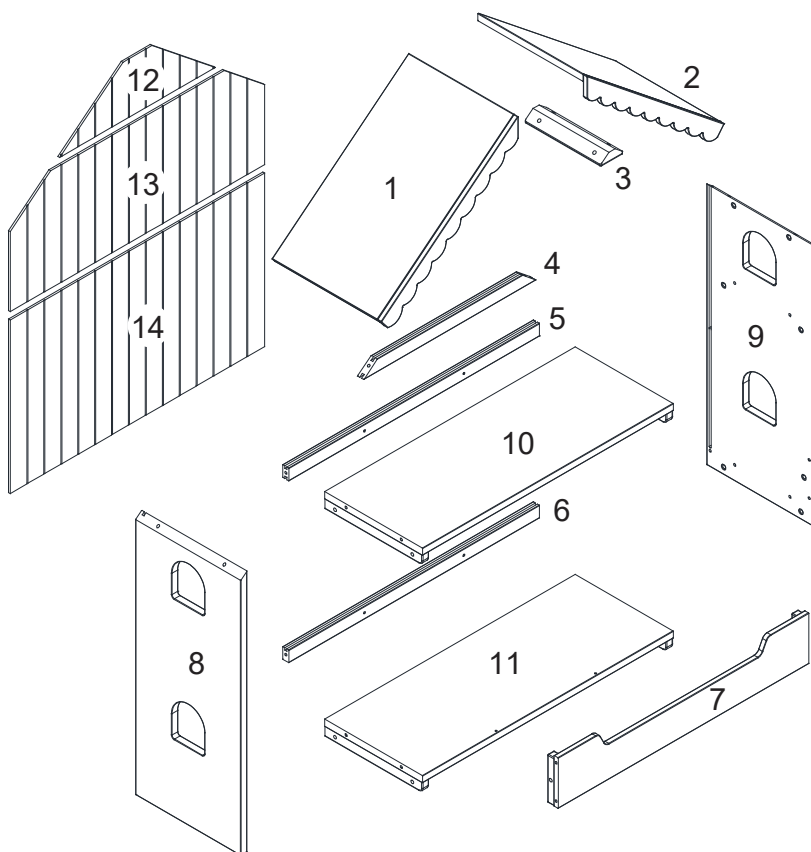
Read all instructions **BEFORE** assembling.

KEEP INSTRUCTIONS FOR FUTURE USE.

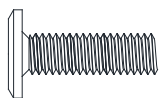
ASSEMBLY INSTRUCTIONS

PARTS LIST

No.	Qty	Description
1	1	Left Top
2	1	Right Top
3	1	Connecting Top Wood
4	1	Back Upper Rail
5	1	Back Middle Rail
6	1	Back Bottom Rail
7	1	Front Bottom Rail
8	1	Left Side Panel
9	1	Right Side Panel
10	1	Middle Shelf
11	1	Bottom Shelf
12	1	Upper Back Panel
13	1	Middle Back Panel
14	1	Bottom Back Panel



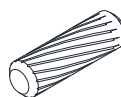
HARDWARE LIST



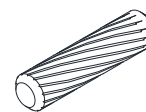
(a) M6 x 20 mm Bolts (X4)



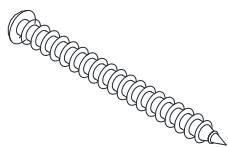
(b) M6 x 29 mm Bolts (X14)



(c) 20mm Wood Dowel (X2)



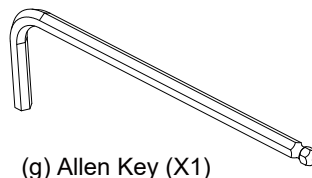
(d) 30mm Wood Dowel (X20)



(e) 50mm Wood Screw (X6)



(f) Plastic Barrel Nut (X6)



(g) Allen Key (X1)



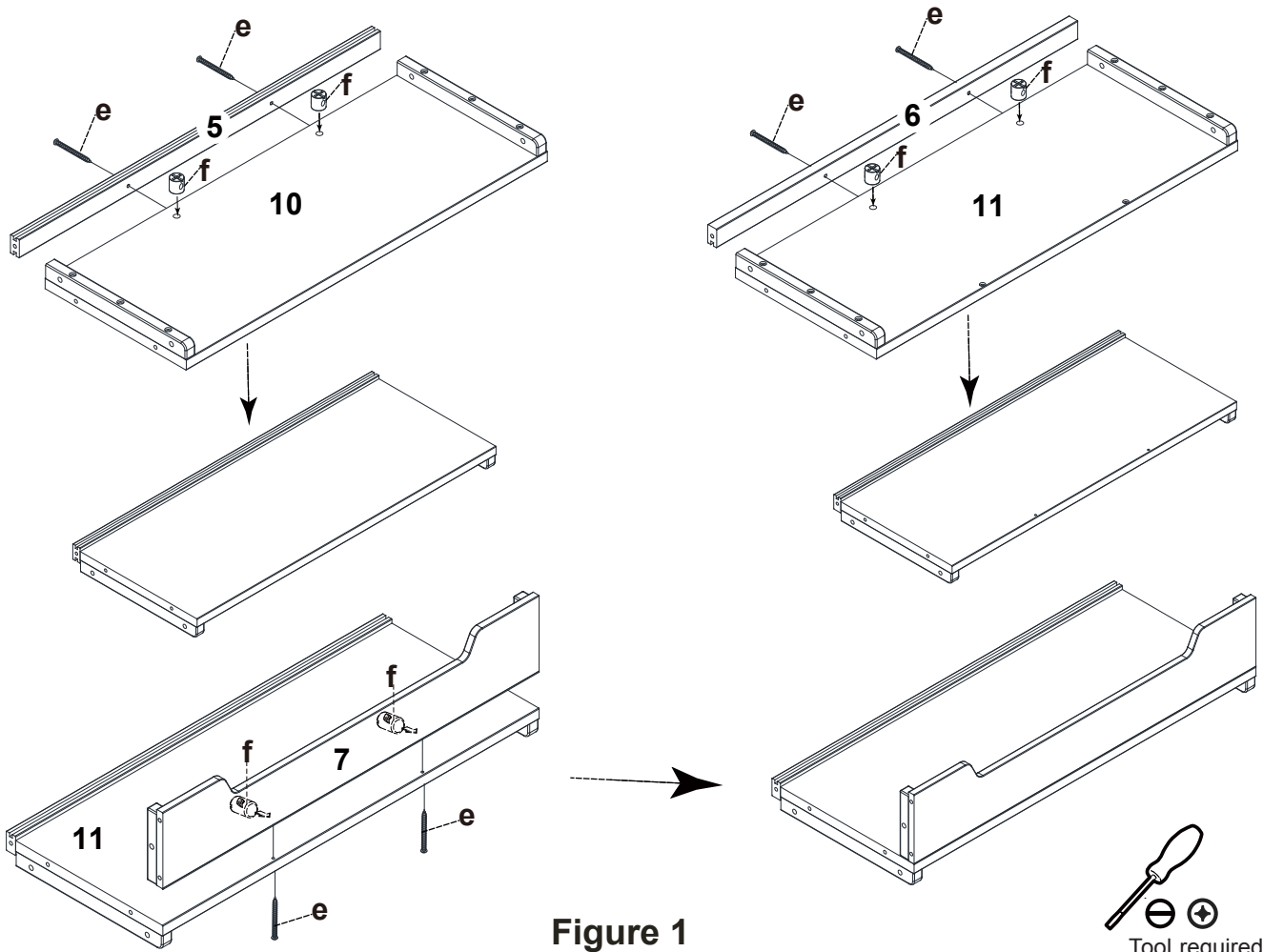
(h) Wall Strap Kit (X1)



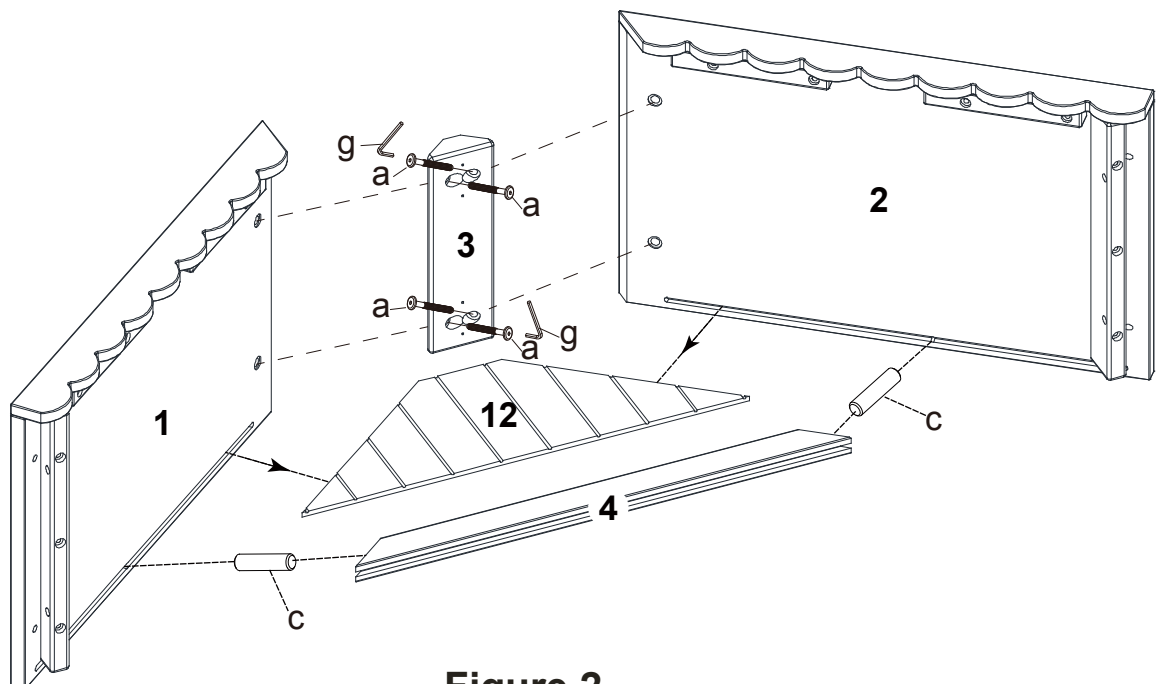
Tool required

Assembly Steps

Step 1 Shelf and Rails Assembly



Step 2 Top Panel Assembly



Assembly Steps

Step 3 Left Side Panel Assembly

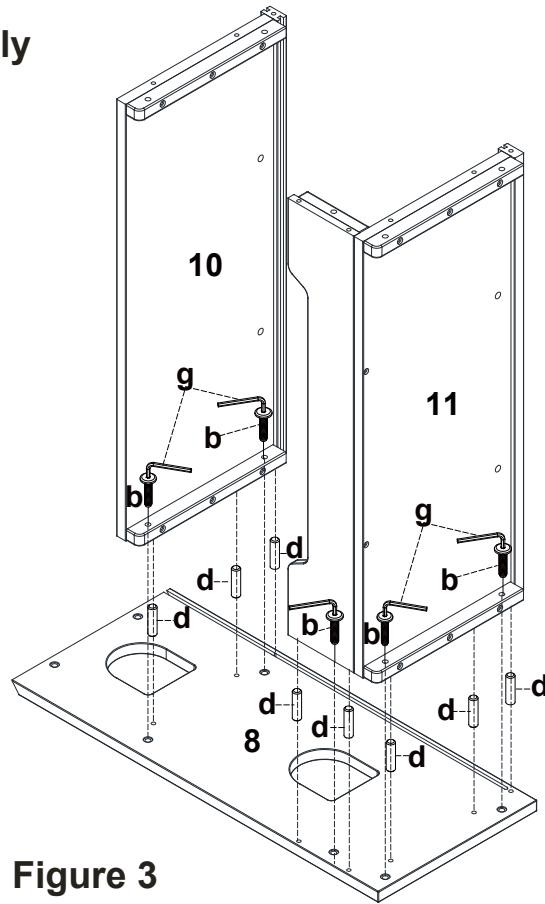


Figure 3

Step 4 Right Side Panel Assembly

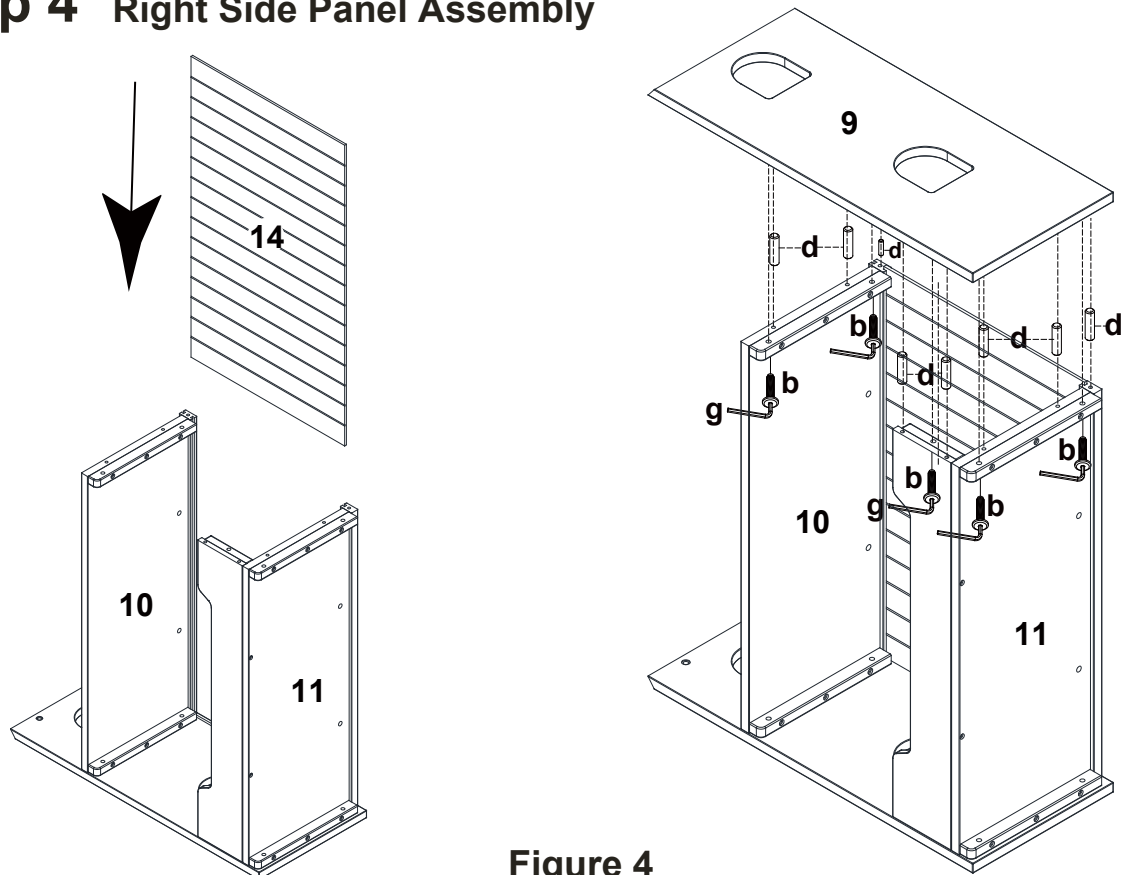


Figure 4

Assembly Steps

Step 5 Attach Top to Side Panels

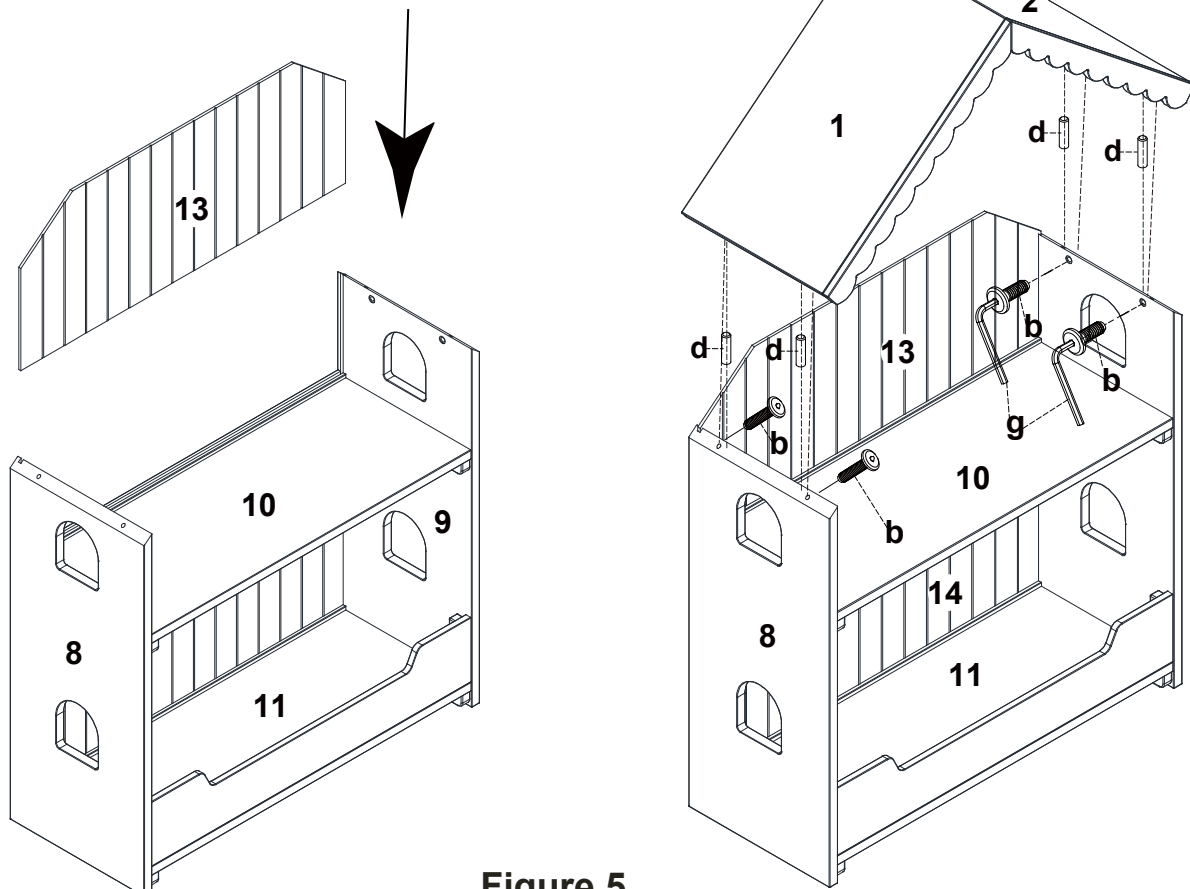


Figure 5

Step 6 Tighten all Bolts

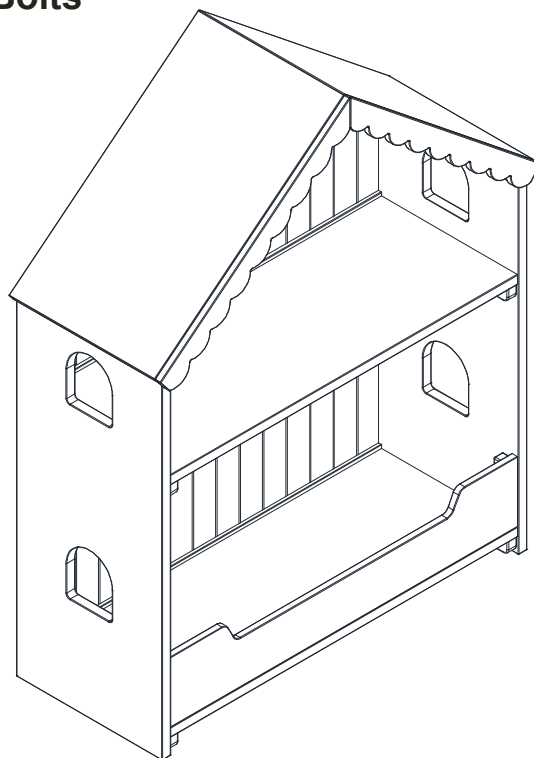


Figure 6