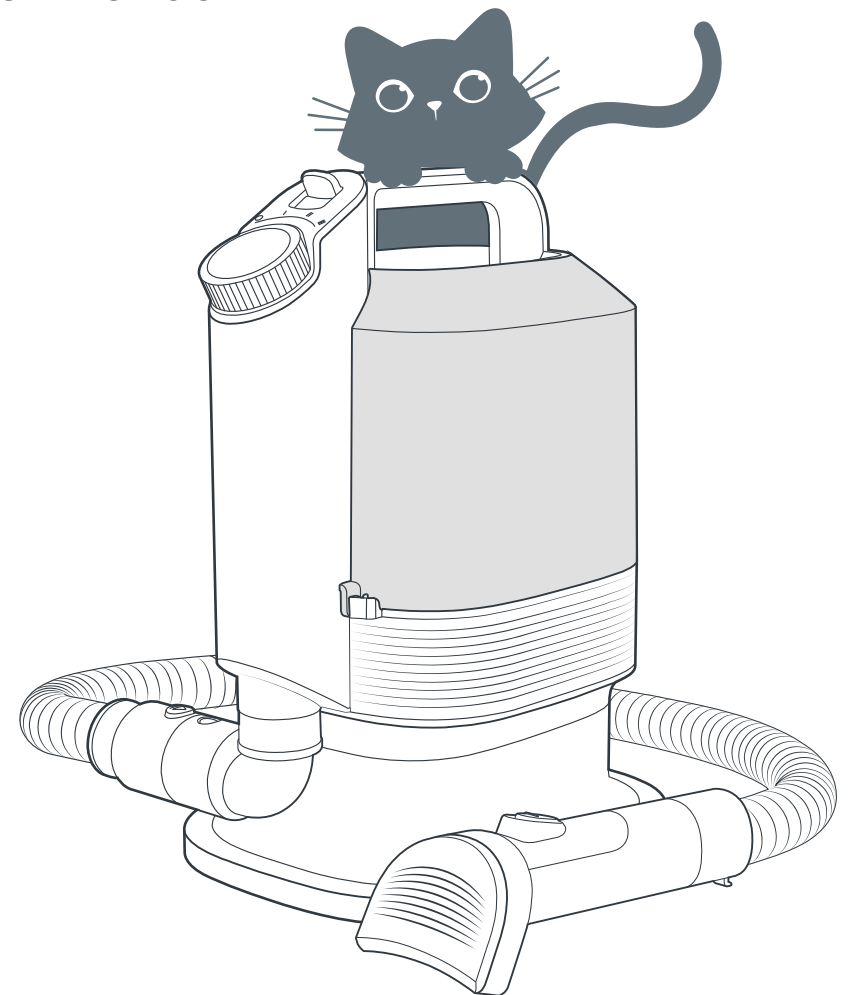


MEOWANT

PET GROOMING KIT

Model: MW-PV01

User Manual



Questions or Concerns

 support@meowanthome.com

MANUFACTURER

Shenzhen Guiyang Network Technology Co., Ltd

ADDRESS

1404K3, East Block, Shengtang Commercial Building,
Futian District, Shenzhen, China



Intertek
5025862

Made In China

CONTENT

01

**IMPORTANT
SAFETY
INSTRUCTIONS**

01 - 02

02

**EXPLORING
PET GROOMING
KIT**

03

03

**USING PET
GROOMING
KIT**

04 - 06

04

**CARE
AND
CLEANING**

07 - 10

05

**TROUBLE-
SHOOTING
GUIDE**

11

06

**WARRANTY
AND
SERVICE**

12

IMPORTANT SAFETY INSTRUCTIONS



READ ALL INSTRUCTIONS BEFORE USE AND SAVE FOR FUTURE REFERENCE

When using an electrical appliance, especially when children are present, basic safety precautions should always be followed, including the following:

INTENDED USE

- This appliance is not intended for use by persons (including children) with reduced physical, sensory or mental capabilities, or lack of experience and knowledge, unless they have been given supervision or instruction concerning the use of the appliance by person responsible for their safety.
- DO NOT allow to be used as a toy. Close attention is necessary when used by or near children and pets. Children and pets should be supervised to ensure that they do not play with the appliance.
- Use the appliance only for intended household purposes as described in this User Manual.

ELECTRICITY SAFETY

- DO NOT operate the appliance if it has a damaged power cord or plug, or if it is malfunctioning or has been damaged in any manner.
- If the supply cord is damaged, it must be replaced by the manufacturer, its service agent or similarly qualified persons in order to avoid a hazard.
- DO NOT operate or unplug the power cord with wet hands. DO NOT wet or submerge in water, or allow moisture to come into contact with any part.
- Always unplug when not in use, before putting on or taking off parts and before cleaning. Never unplug by pulling on power cord.

RELATED TO USE

- DO NOT use to pick up liquids, smoking or flammable materials. Do not use in place with flammable liquids or combustible materials or nearby.
- DO NOT use on wet surfaces or outdoors. Do not use or keep it in humid places such as outdoors or bathroom.
- DO NOT put any objects into nozzle or accessory openings. Do not use with any opening blocked.

- DO NOT use without the dust cup and filters installed in place. Always keep the dust cup and filters clean.
- DO NOT apply any fragrance or scented product to the filters. The chemicals in such products are known to be flammable and can cause fire.
- DO NOT attempt to disassemble, repair, modify or replace any part of the appliance. No user serviceable parts inside. All servicing should be performed by qualified personnel only.
- Use only MeoWant recommended accessories and replacement parts.
- Always turn OFF the appliance before connecting or disconnecting any motorized nozzles or other accessories.
- Always unplug from the electrical outlet when not in use and before any maintenance or servicing.
- Dispose of all packaging materials properly. Keep away from children and pets.

FOR HOUSEHOLD USE ONLY

SAVE THESE INSTRUCTIONS

Specifications

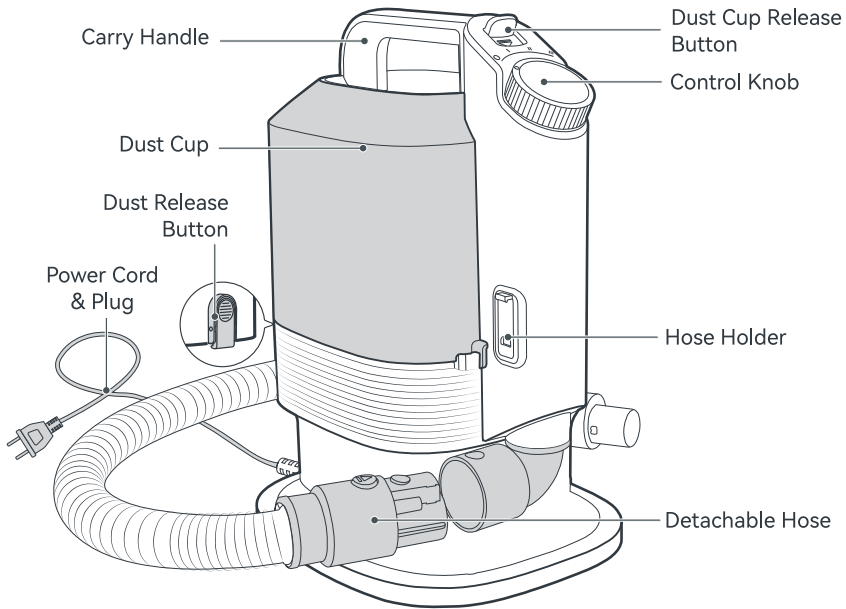
Voltage	110-120V~ 50/60Hz
Rated Power	400 W
Suction Power	≥40 W
Dust Cup Capacity	108 oz / 3.2 L
Hose Length	4.8 ft / 1.45 m
Power Cord Length	8.5 ft / 2.6 m
Noise	≤ 72 dB
Clipper Input	5V --- 1A
Clipper Battery Capacity	2000 mAh
Charging Time	3.15-3.5 hours
Runtime on a Full Charge	2.5 hours

EXPLORING PET GROOMING KIT

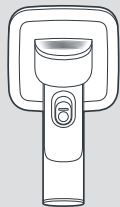


Check if all accessories are included. Contact us via email:

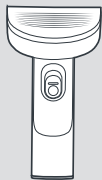
support@meowanthome.com if there is any missing part.



Accessories



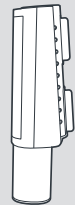
Grooming Brush



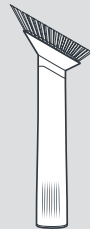
Deshedding Tool



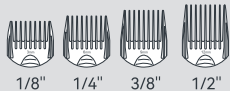
Electric Clipper



Pet Hair Remover



2-in-1 Crevice Tool



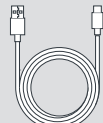
Clipping Combs



Hose Holder



Cleaning Brush



Type-C USB Cable

USING PET GROOMING KIT

Getting Started

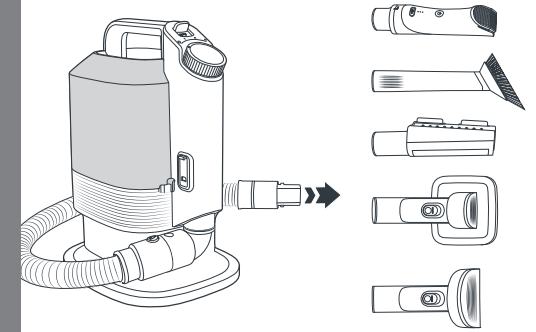


- Check if the dust cup is well assembled in place before use.
- DO NOT use outdoors or on wet surfaces, or use to pick up liquids or other smoking or flammable materials.

1

Attaching Accessory

Firmly attach your desired accessory to the vacuum hose.

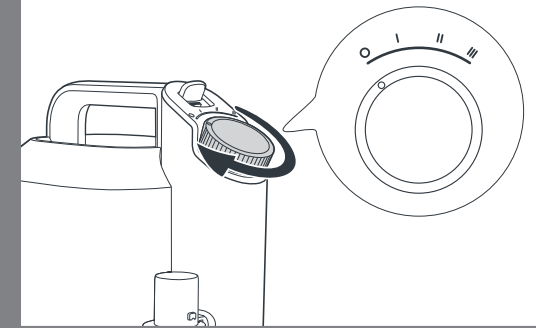


2

Selecting Mode

Plug into an electric outlet, then turn the knob clockwise to turn on and select the mode.

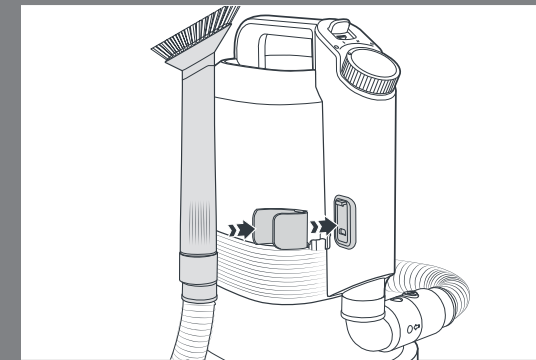
- > Turn OFF
- | > ECO Mode
- || > Standard Mode
- ||| > Boost Mode



3

Storage After Use

Snap in the hose holder, wrap the hose anti-clockwise around the base, and then attach the hose onto the holder.



Use of Accessories

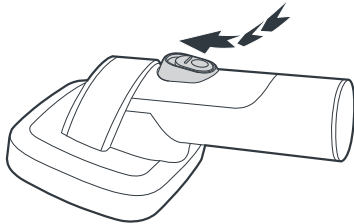


- When using the accessory, be cautious of the sharp edges. Do not use with excessive force to avoid skin scratches.
- If the nozzle is blocked by large amount of hair, adjust to the boost mode or pull some hair out.

Grooming Brush – for medium or long haired breeds

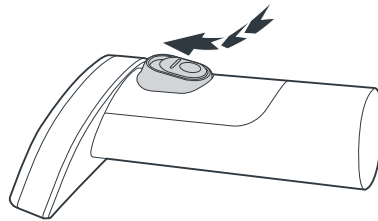
1. Groom in the direction of the coat to remove loose hair and dander, and make the hair more fluffy.
2. After grooming, push down the button to suck the removed hair into the dust cup or for storage.

* Be careful not to use on delicate areas around ears, genitals and stomach.



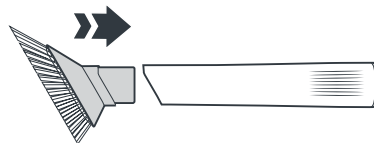
Deshedding Tool – for short haired breeds

1. Dashed in the direction of the coat to quickly removes loose and tangled hair for short haired dogs and cats.
2. After deshedding, push down the button to suck the removed hair into the dust cup or for storage.



2-in-1 Crevice Tool – for cleaning edges and corners

Two tools in one for dusting of keyboards, sofas around edges and into hard-to-reach spaces.

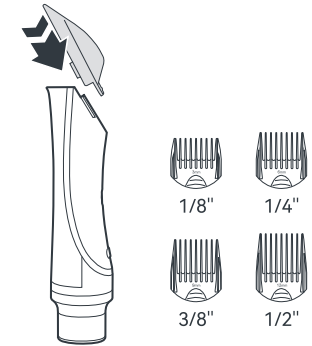


Electric Clipper – for trimming of different hair lengths

1. Charge with the included USB cable.

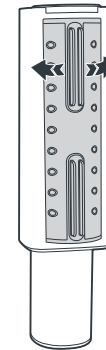
Flashing Red > Battery Low
Solid Green > Fully Charged

2. Select a clipping comb if desired.
3. Hold the power button to turn on.
4. Trim the hair. The removed hair will be sucked into the dust cup automatically.



Pet Hair Remover – for cleaning pet hair on fabrics

Roll it back and forth in short strokes to clean pet hair and dust on your clothes, sofas and other fabric surfaces.



Introducing Vacuum Grooming Kit to Your Pet

To get your pet used to the vacuum:

- **Take things slowly.** Get your pet accustomed to the sound of the vacuum before you ever try to groom them with it.
 1. To begin with, you might not even plug the appliance in. Instead get your pet used to the sensation of your vacuum attachments brushing against its coat.
 2. When you're ready to use the vacuum for the first time, give your pet's coat a brush to remove knots.
 3. If your pet is happy and calm, turn the vacuum on to a low setting. Hold your pet firmly with one hand and begin gently grooming. Focus only on the back and flanks since your pet might not find the experience pleasant in sensitive areas like the tummy and chest.
- **Reward with treats.** Give some treats to help your pet associate the new grooming experience with a positive outcome.
- **Use a lower setting.** Be careful not to use a high setting since the noise and suction power might unsettle your pet.

CARE AND CLEANING

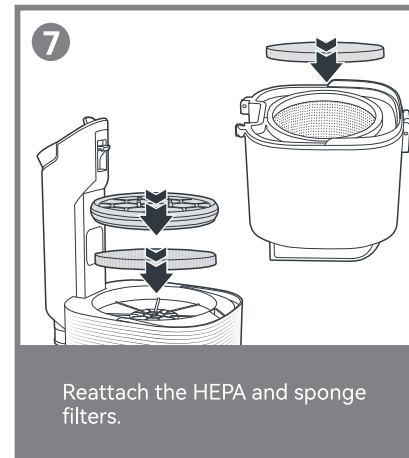
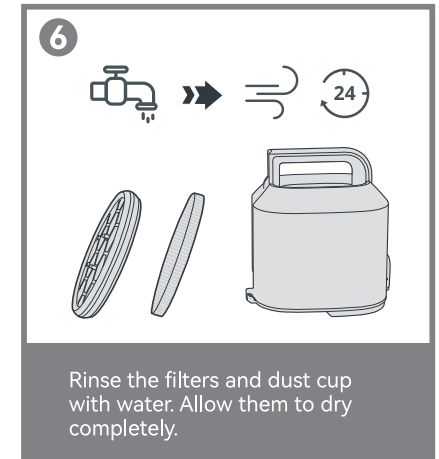
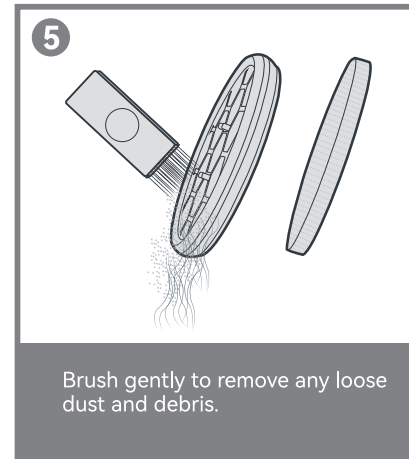
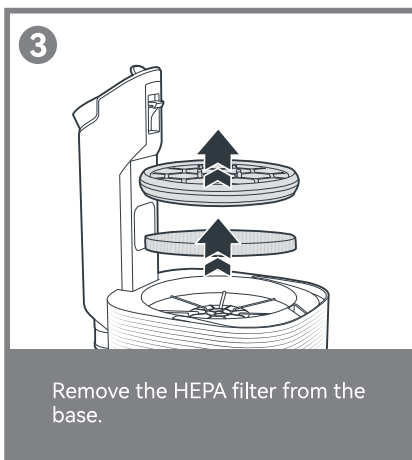
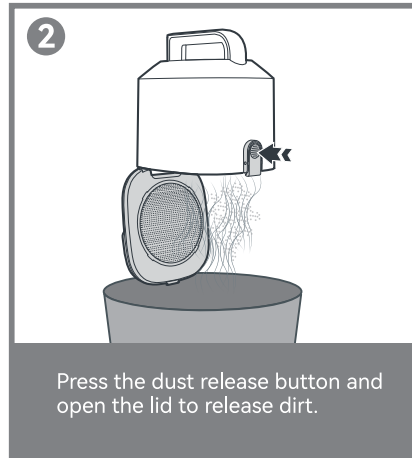
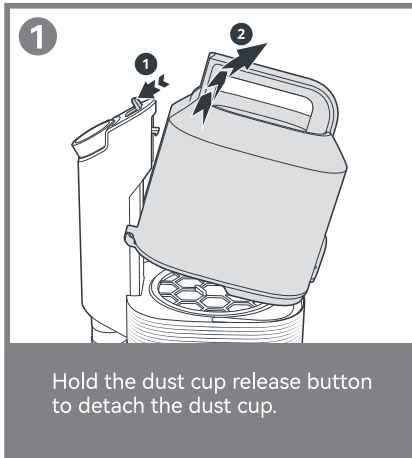


- Always make sure the vacuum body is turned OFF and unplugged before cleaning.
- Make sure all parts are completely dry before installing back.

Dust Cup & Filters



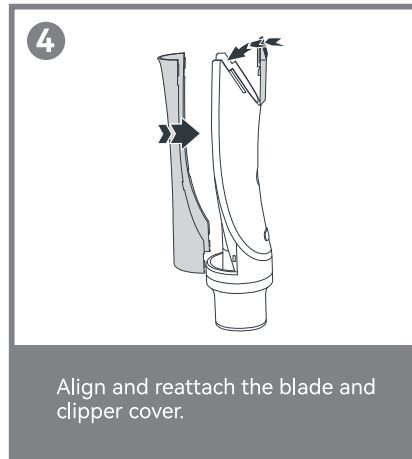
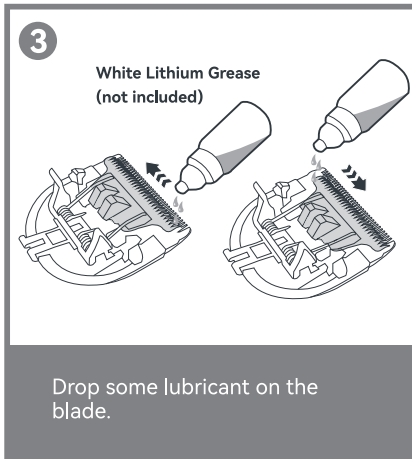
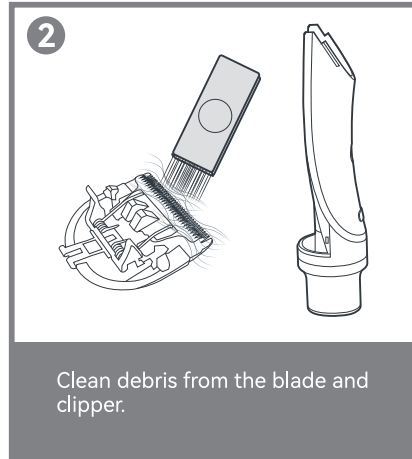
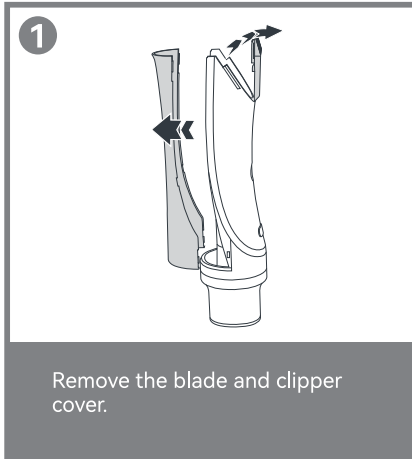
- Empty the dust cup after each use. DO NOT overfill the dust cup.
- Brush the dust off the filter after each use. To maintain optimum suction power, wash the filters at least once a month.



Electric Clipper



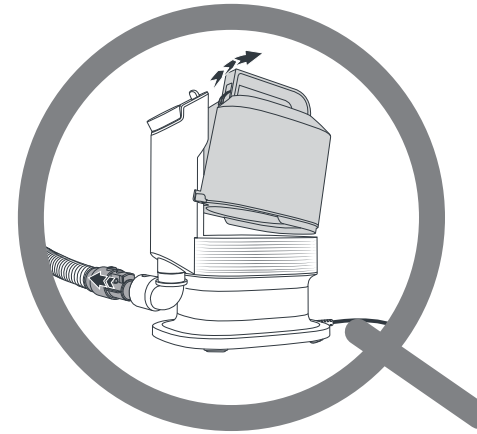
- When removing the blade, be cautious of the sharp edges to avoid skin scratches.
- Make sure the electric clipper is turned OFF before cleaning.



Looking for Blockages

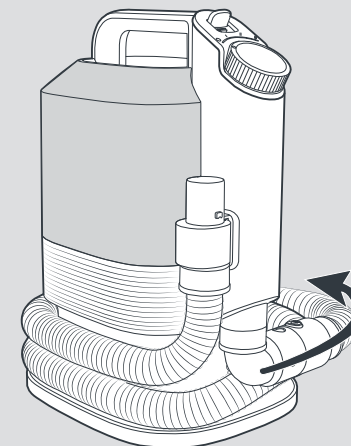


The vacuum body will stop working automatically if the suction port is blocked. Follow the instructions to locate the blockage.



- 1 Unplug the vacuum body. Leave it to cool down.
- 2 Remove the dust cup, HEPA and sponge filters as instructed. Clear and wash when necessary.
- 3 Remove the vacuum hose, check the hose and suction port for any blockages. Clean when necessary.
- 4 Dry completely and re-install all parts securely. Plug in and turn the knob to turn it on again.

Storage



When not in use for an extended period of time, clean as instructed. Cover and store in a cool, dry location with cord and hose arranged along the front arrow.

TROUBLESHOOTING GUIDE



The troubleshooting guide addresses the most common problems. If problems persist, feel free to contact the Customer Support via email: support@meowanthome.com

Q: The vacuum body does not work or stops working suddenly.

- A:**
- Make sure the vacuum body is connected to a powered electrical outlet.
 - The vacuum body will stop working automatically if the motor heats abnormally or the suction port is blocked. Unplug and leave it to cool down. Check and clear blockages in hose, suction port, connection part, filters or dust cup. Plug in and turn the knob to turn it on again.

Q: Weak suction power.

- A:**
- Check and empty the dust cup. We recommend emptying the dust cup after each use.
 - Check and clean the inside filters. Wash the filters at least once a month. For replacement filters, contact our customer support.
 - Make sure the dust cup and filters are properly installed in place.
 - Check if the hose, suction port, connection part, filters or dust cup are clogged with dust. Clean when necessary.

Q: Excessive noise.

- A:**
- Check if the dust cup and filters are properly installed in place.
 - Empty the dust cup after each use. Regularly Check and clean the hose, suction port, connection part and filters.

WARRANTY AND SERVICE



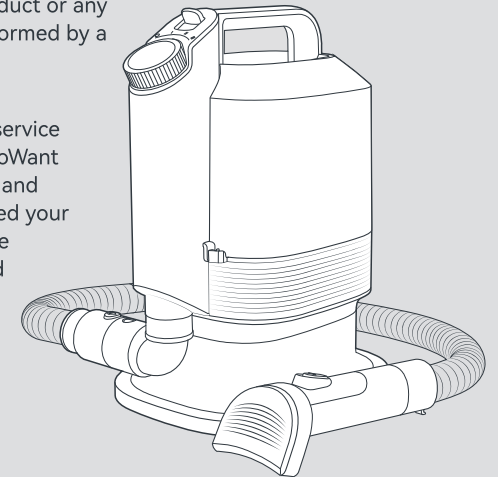
Thank you for choosing MeoWant Pet Grooming Kit. This product is covered with MeoWant product and labor warranty for 12 months from the date of its original purchase.

The warranty will not apply in cases of:

- Accident, misuse, or repairs performed by unauthorized personnel.
- Any unit that has been tampered with or used for commercial purpose.
- Normal wear and tear of wearable parts.
- Use of force, damage caused by external influences.
- Damage caused by non-observance of the User Manual, e.g. connection to an unsuitable mains supply or non-compliance with the instructions.
- Partially or completely dismantled appliances.
- Defects caused by or resulting from damages from shipping or from repairs, service, or alteration to the product or any of its parts that have been performed by a repair person not authorized.

We can only provide after sales service for products that are sold by MeoWant or MeoWant authorized retailers and distributors. If you have purchased your unit from a different place, please contact your seller for return and warranty issues.

*** Please have your order ID ready before contacting Customer Support.**



FCC Compliance

This device complies with Part 15 of the FCC Rules. Operation is subject to the following two conditions:

- (1) this device may not cause harmful interference, and
- (2) this device must accept any interference received, including interference that may cause undesired operation.