

ENOOK[®]

Enook X1 plus Specifications

2 Product Feature

(1)Charging mode

Enook X1 Plus can charging 1 battery with 1A once a time. It can meet the demands of all 3.6V /3.7V batteries, it compatible with 10440 /14500 /14650 /16340 /16650 /17650 /17670 /18350 /18490 /18500 /18650 /20700 /21700 /22650 /25500 /26650 /26700 li-ion batteries, which can charge 1 battery once a time

(2)Short circuit protection

When the charger in charging or standby state,if the channel short circuit by positive and negative(the battery short circuit or reversed the battery's polarity), the protection function of the charger will be start to make sure the charger not to be damaged.

(3)Revive the low voltage battery

When the charger in standby state.put the low voltage battery(voltage $\leq 2.9V$) in the charge channel with right polarity.The charger's trickle charge function will revive the low voltage battery.

Revive the low voltage battery need different time because of the battery's capacity,the times of excessive discharge and so on. After the battery revived,the battery can be charge normal.

(4)Overcharge protection

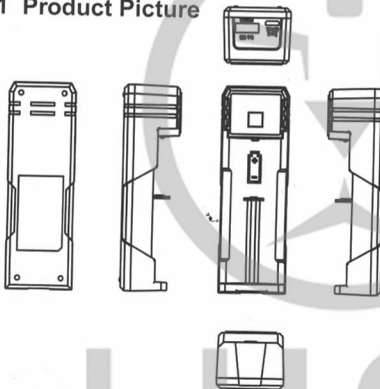
Put the battery into the channel, if the battery voltage $< 4.18V$,the charger will charging to the battery. When the battery with full voltage,the overcharge

Enook X1 plus charger has 1 charging channel, which can charge 1 battery once a time. When it's not charging or fully charged the LED light will be green, When it's in charging the LED light will be blue.

The charger set a special charge and discharge management circuit.It is multiple safety protection, can prevent reverse connection/ short circuit /overcharge/ over discharge /over current in effective to protect battery. It is safety to use.

The charger can charge 3.6/3.7v different model Cylindrical lithium battery. Widely to use and Strong practicality.

1 Product Picture



function start,and stop charging.

If the battery not put out of the charger with full voltage, the battery will lose some power. When the voltage less than 4.0V,the charger will start charging the battery.

Num ber	Specification	model	Detail
1	Input	USB mirco	DC5V-2A
2	Output current	1.0A	1000m A \pm 10% 4.20 \pm 0.05V
3	Output Voltage		4.20 \pm 0.05V
4	Storage and environment		-40 $^{\circ}$ +70 $^{\circ}$ C
5	Using environment		-20 $^{\circ}$ 65 $^{\circ}$ C

3 Electrical parameters

4 Operating instruction

According to the product identification, the correct access to external power supply. Then the system self-test and the LED light is green. When the LED light is blue means in charging. The LED light is green means fully charged or no battery in the channel.

5 Warming

(1) Before charging the battery,must be make sure the rechargeable battery's charging parameters are matched with the charger. Otherwise, there may be a danger.

(2) Please regularly clean the channel in the positive /negative contact points.To prevent poor contact.

(3)Please do not use this charger in flammable, explosive environments.

(4)Please use this charger in a dry environment.