

NCR2070C data sheet

Automotive & Industrial Systems Company of Panasonic Corporation

Rechargeable Battery Business Division, SANYO Electric Co., Ltd.

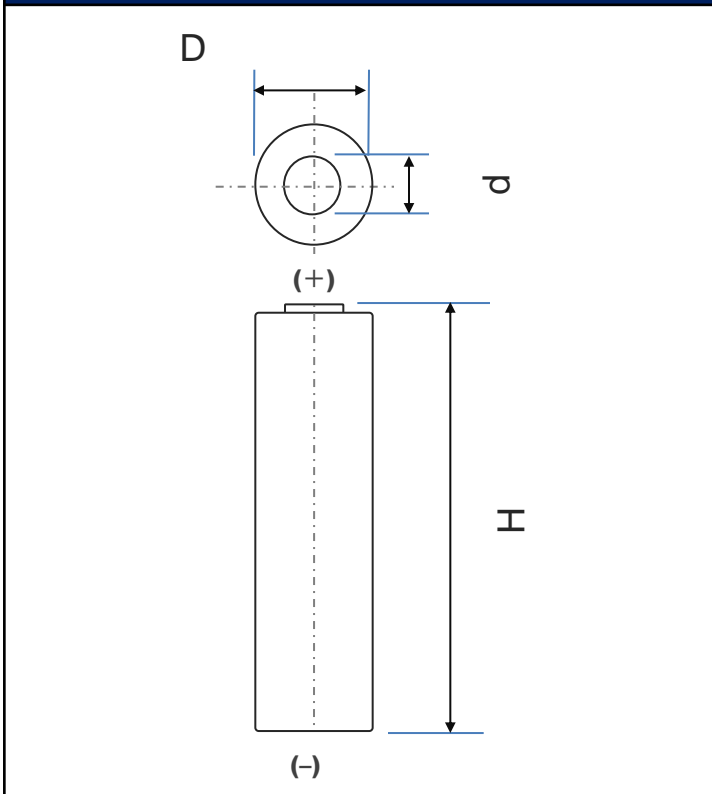
Specifications

Rated capacity ⁽¹⁾		3475mAh
Capacity ⁽²⁾	Minimum	3500mAh
	Typical	3620mAh
Nominal voltage		3.6V
Charging	Method	CC-CV
	Voltage	4.20V
	Current	Std. 2450mA
	Time	Std. 180min.
AC impedance	SOC : 50% (Typical value)	10mΩ
DC resistance	SOC : 50% (Typical value)	13mΩ
Weight (max.)		62.0g
Temperature	Charge	10 to +45° C
	Discharge	-20 to +60° C
	Storage	-20 to +50° C
Energy density ⁽³⁾	Volumetric	569 Wh/l
	Gravimetric	214 Wh/kg

⁽¹⁾ At 20° C ⁽²⁾ At 25° C

⁽³⁾ Energy density is calculated using bare cell dimensions (without tube).

Dimensions

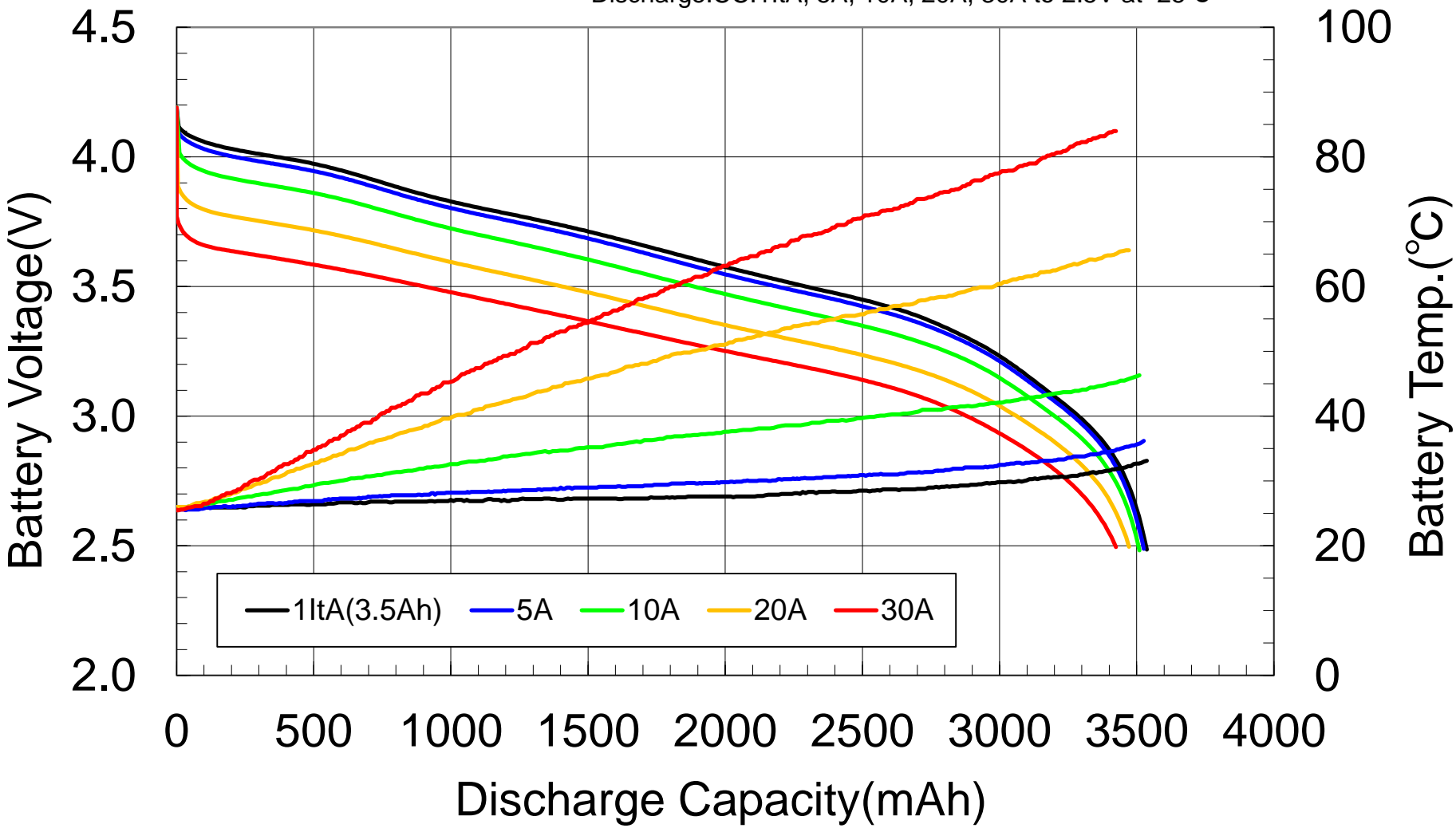


With tube	H	Max. 70.3mm
	D	Max. 20.4mm
	d	Max. 10.5mm

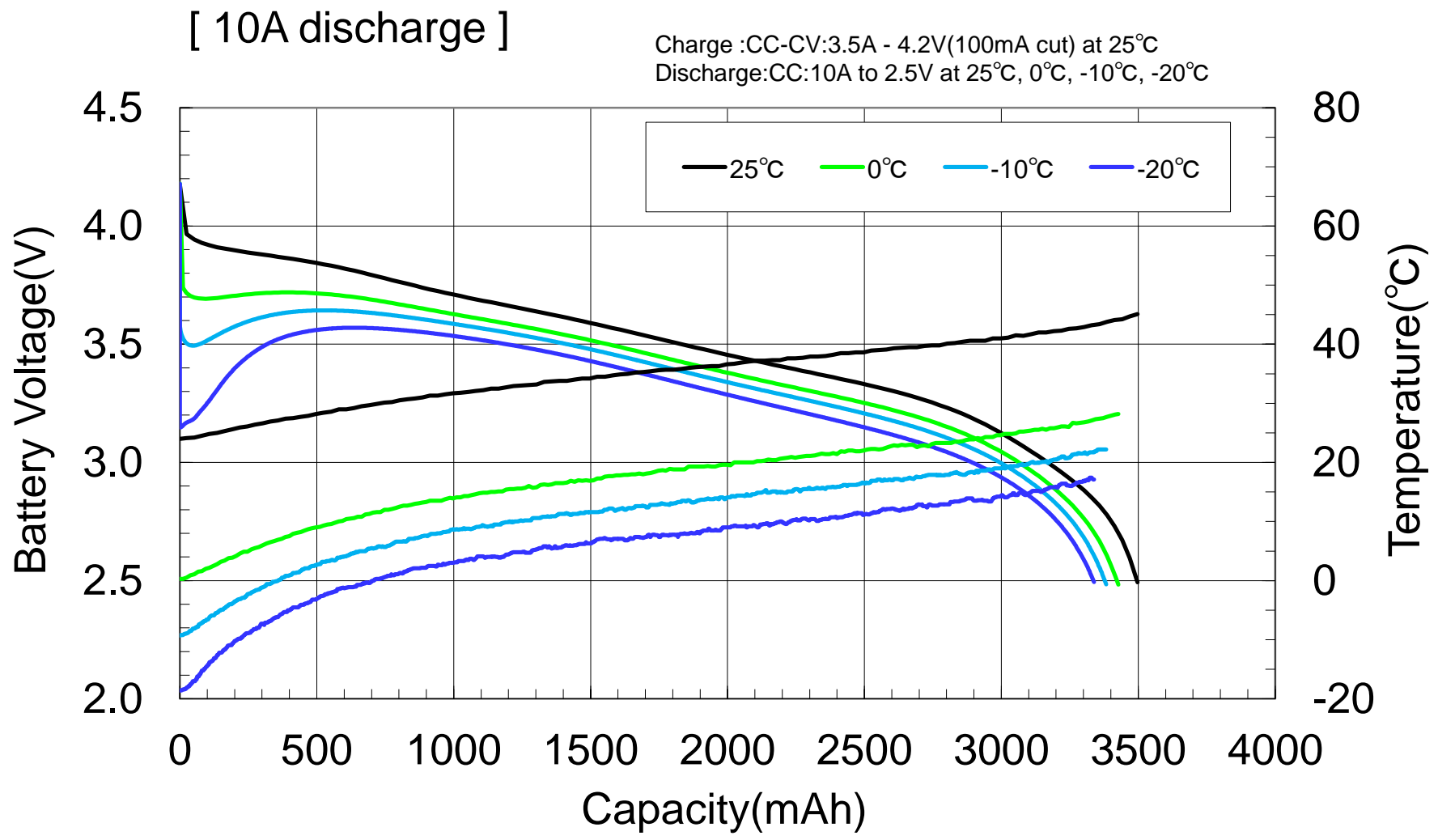
When designing a pack, refer to the cell's mechanical drawing for precise dimensions.

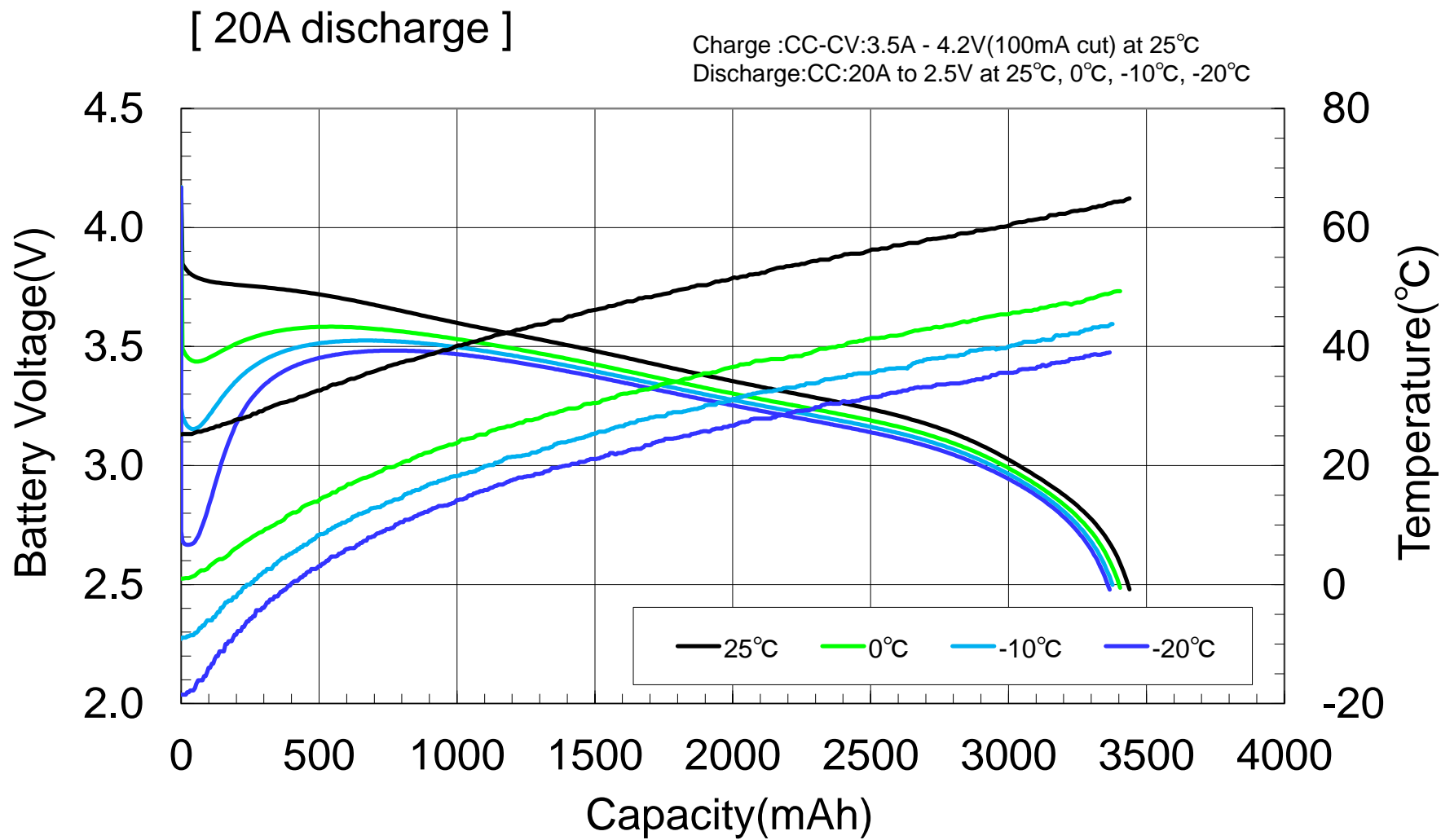
Discharge rate Characteristics for NCR2070C

Charge :CC-CV:3.5A-4.2V(100mA cut) at 25°C
Discharge:CC:1ItA, 5A, 10A, 20A, 30A to 2.5V at 25°C

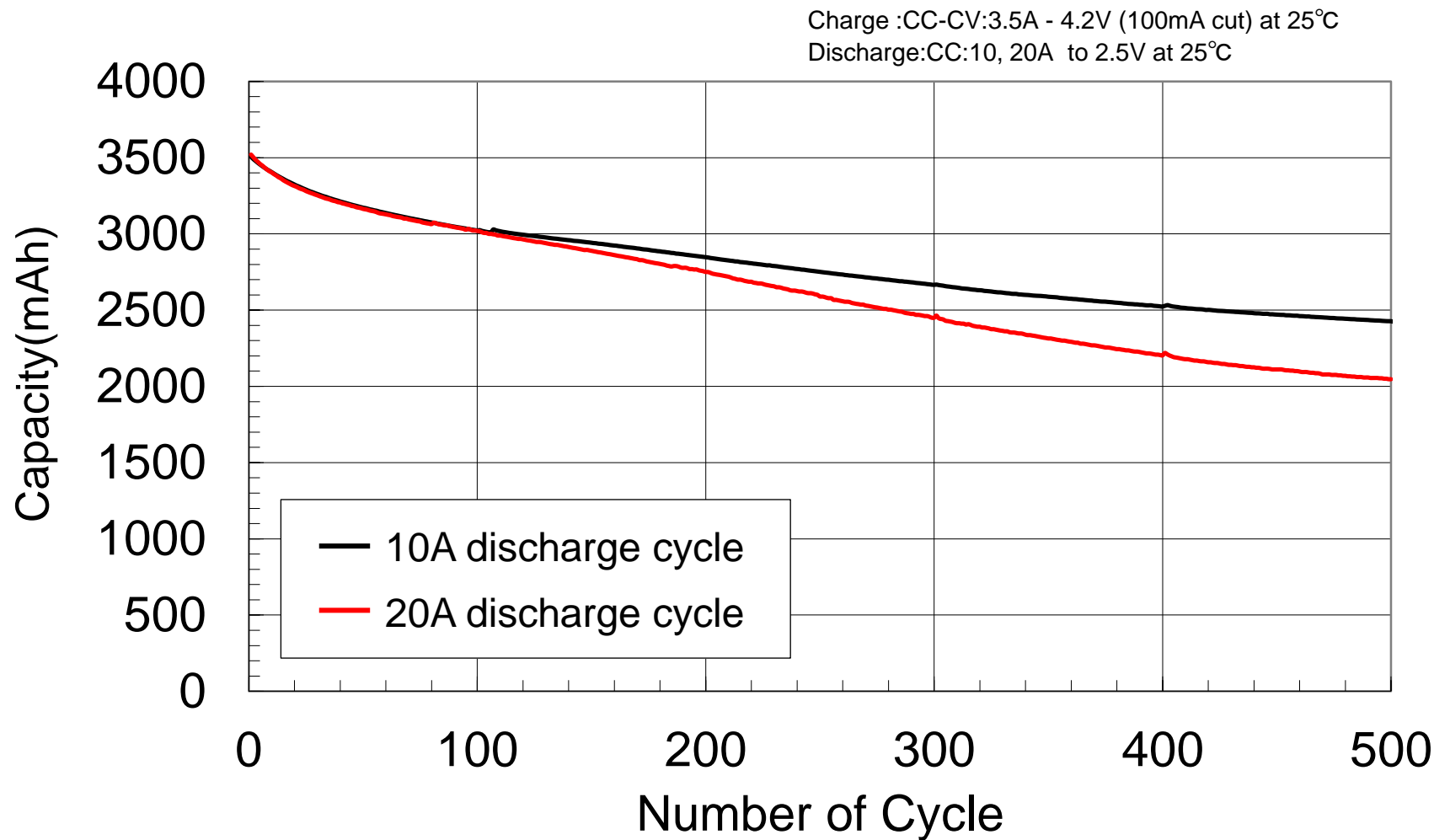


Low Temp. Characteristics for NCR2070C





Cycle Characteristics for NCR2070C



A Better Life,
A Better World

Panasonic