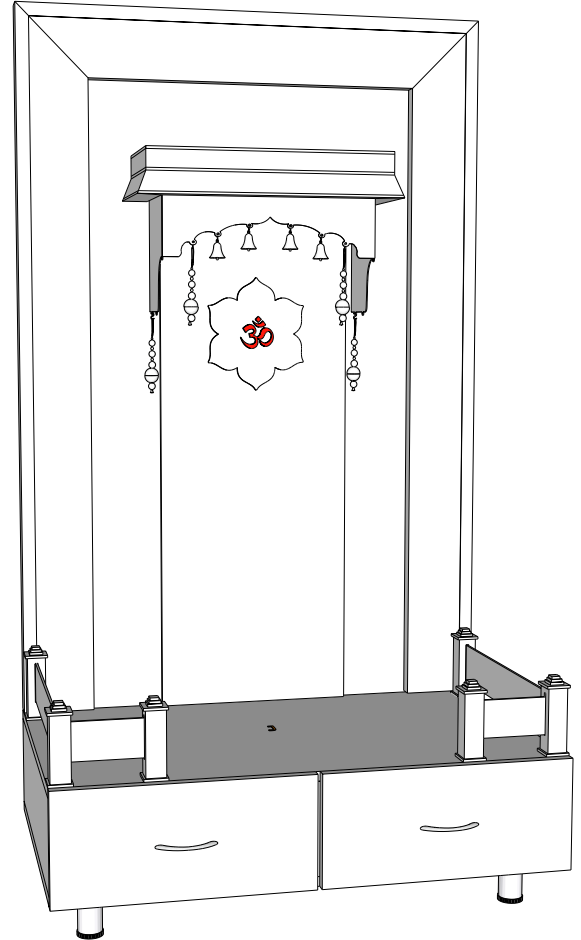




This guide works for the following SKUs

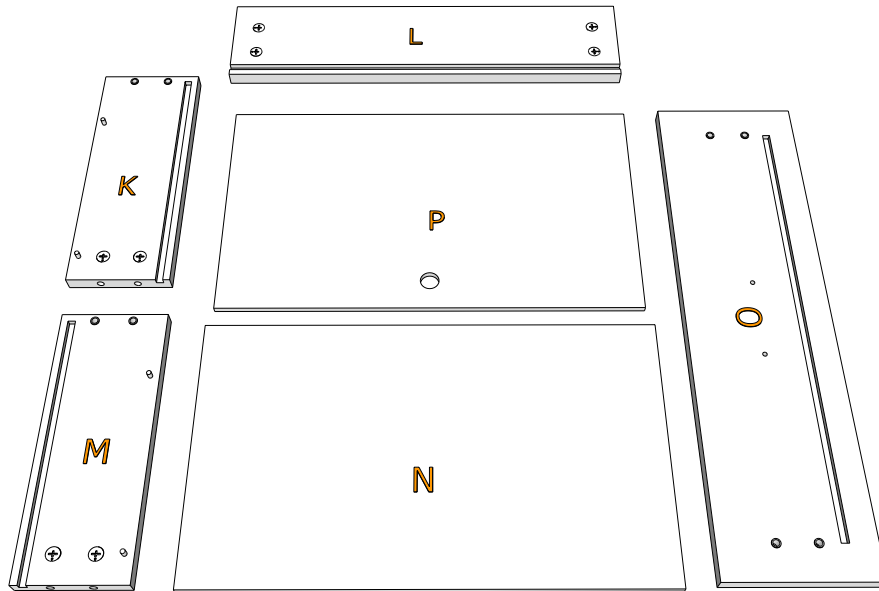
MWC-08-108-301-603622

MWC-08-108-301-634822



Step 1: Assemble the inner drawer(s)

Gather the required planks **K, L, M, N, O** and **P** to assemble the inner drawer => **Drawer Left.**

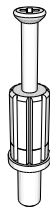


Required hardware is shown below



handle screw

x2



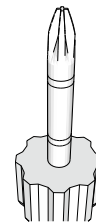
minifix

x8



pull handle

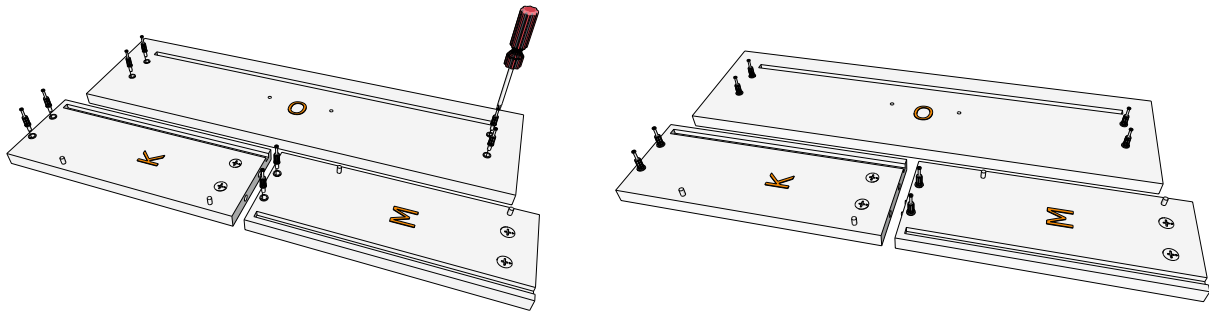
x1



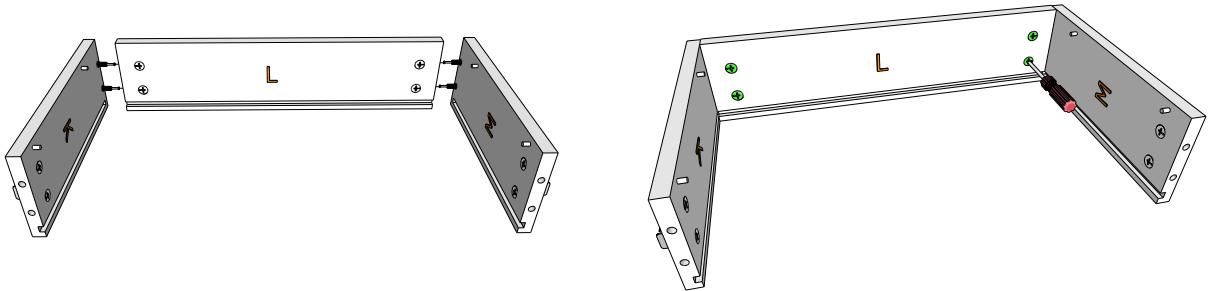
philips screw driver

x1 | **not included**

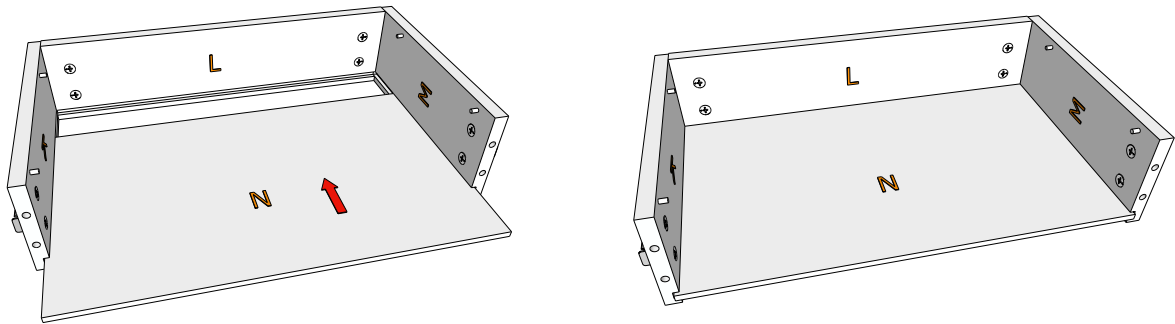
1.a. screw 8 mini fixes into the pre-drilled holes on planks **K**, **M** and **O** ↓



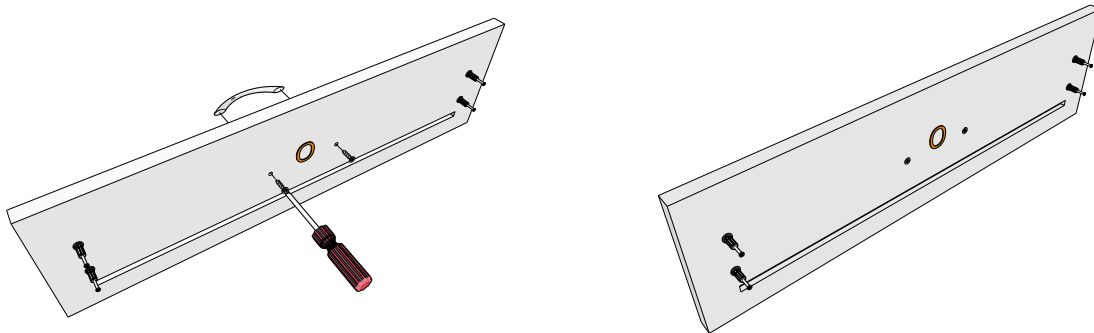
1.b. attach side panels **K** and **M** against rear panel **L** and tighten **CAM(s)** to secure ↓



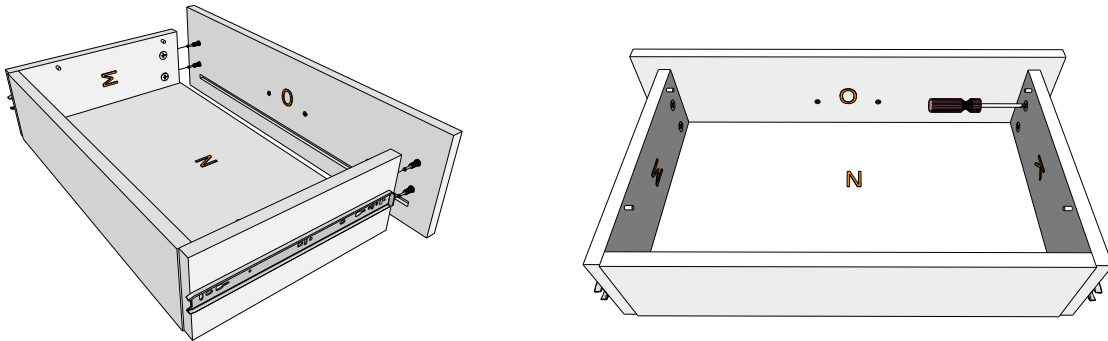
1.c. slide the drawer base panel **N** along the routed lines ↓



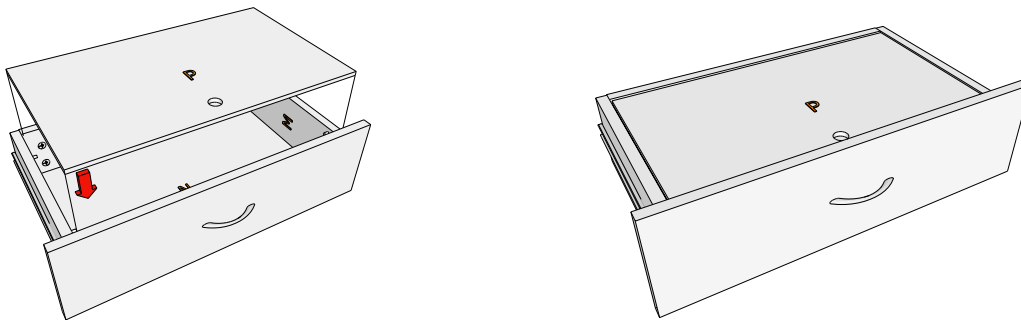
1.d. secure one handle **S** on the drawer plank **O** using the provided screws ↓



1.e. attach the drawer front **O** on the drawer structure and tighten the CAMs to secure ↓

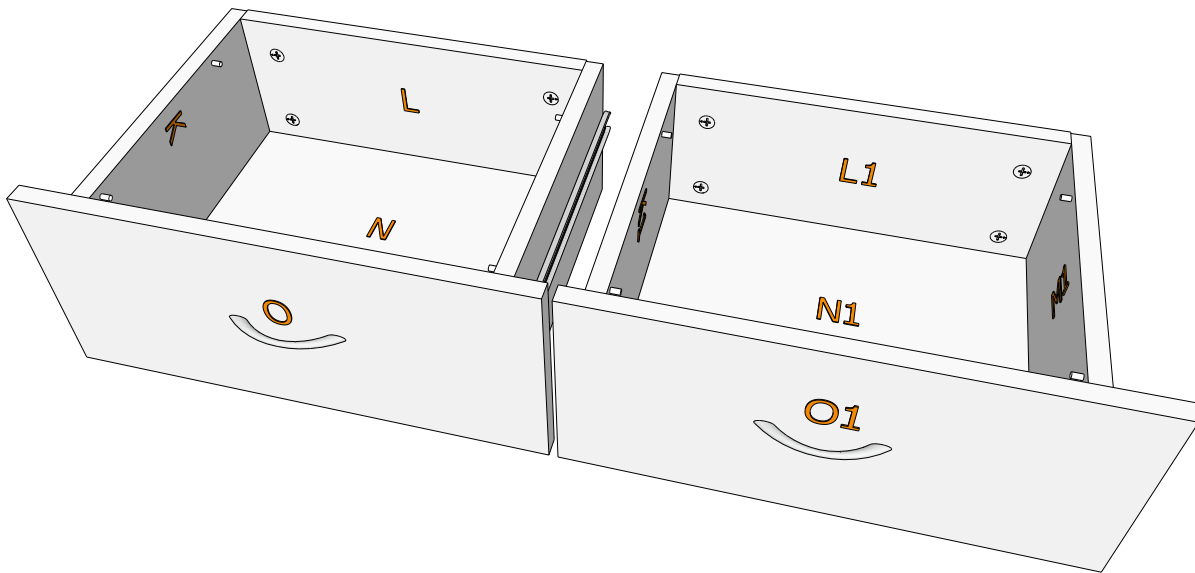


1.f. simply rest platform extension plank **P** on the drawer box ↓

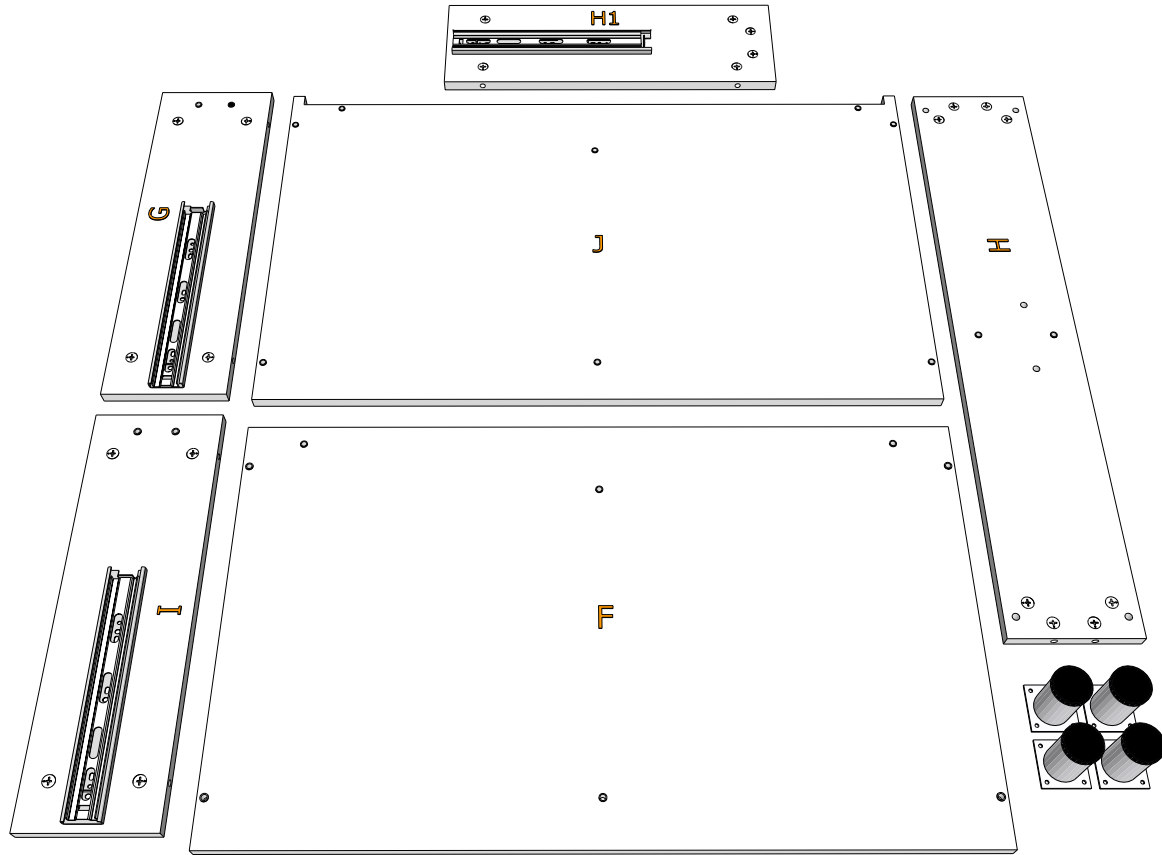


1.g. repeat steps 1.a through 1.f to assemble one more drawer ↓

Parts for drawer 2 = **K1, L1, M1, N1, O1, P1 = Drawer Right**



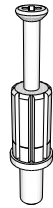
Step 3: Assemble the base structure



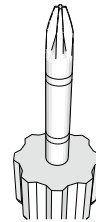
Required hardware is shown below



leg screw
x16 | optional

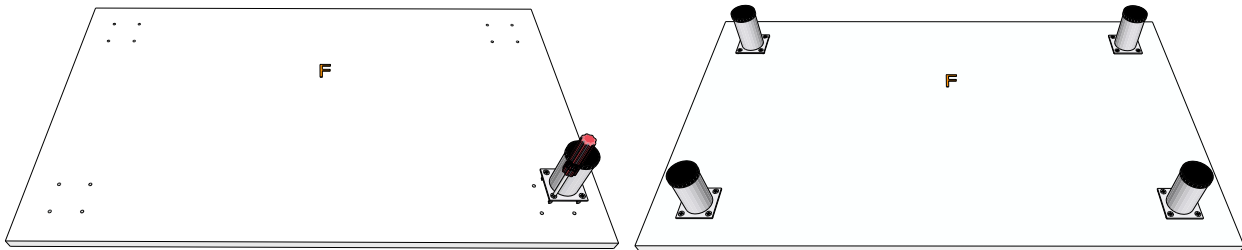


minifix
x22

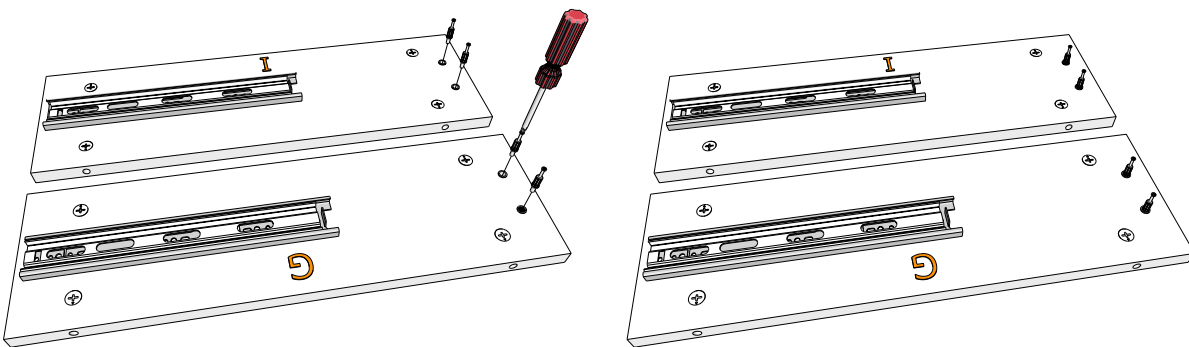


philips screw driver
x1 | **not included**

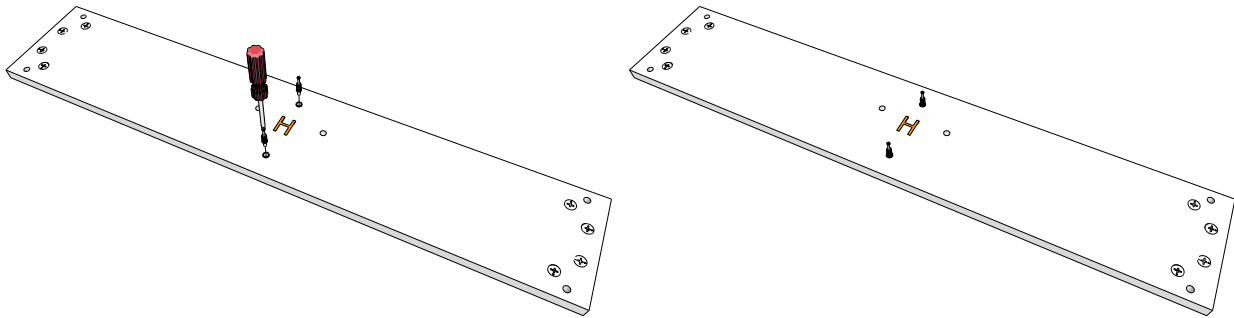
2.a. (optional) you may choose to replace the rubber legs with SS legs on base plank **F** ↓



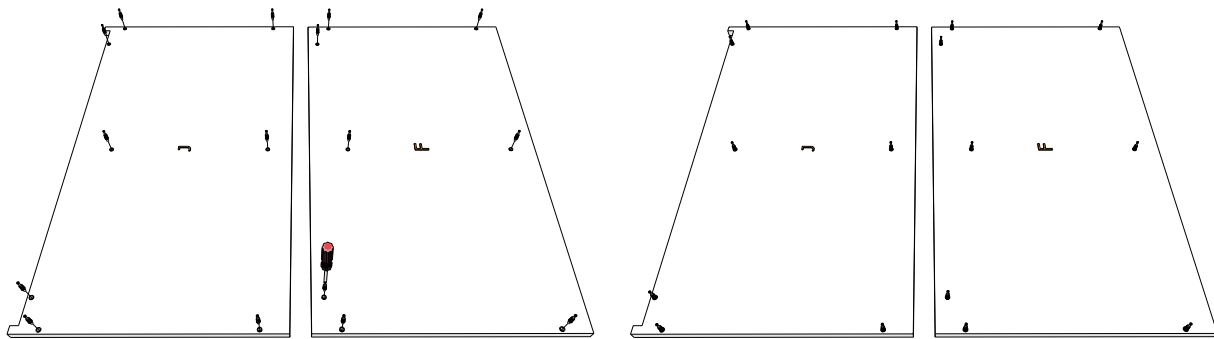
2.b. screw 4 mini fixes into the pre-drilled holes on parts **G** and **I** ↓



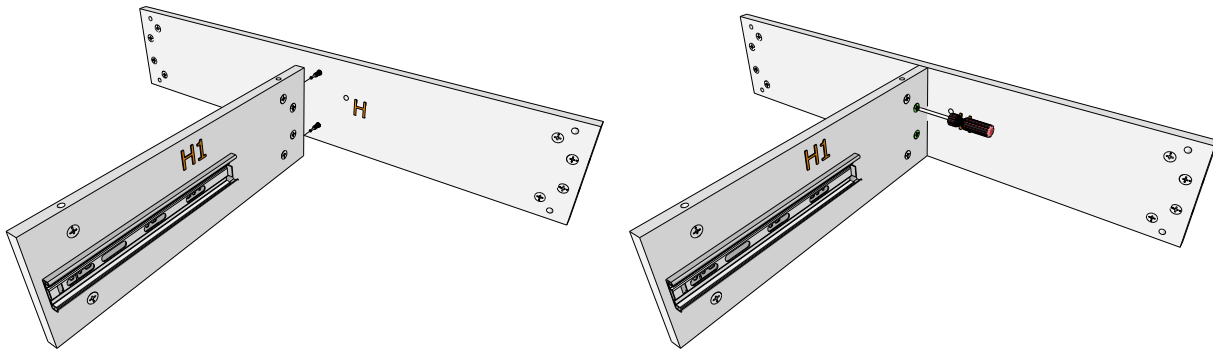
2.c. screw 4 mini fixes into the pre-drilled holes on part **H** ↓



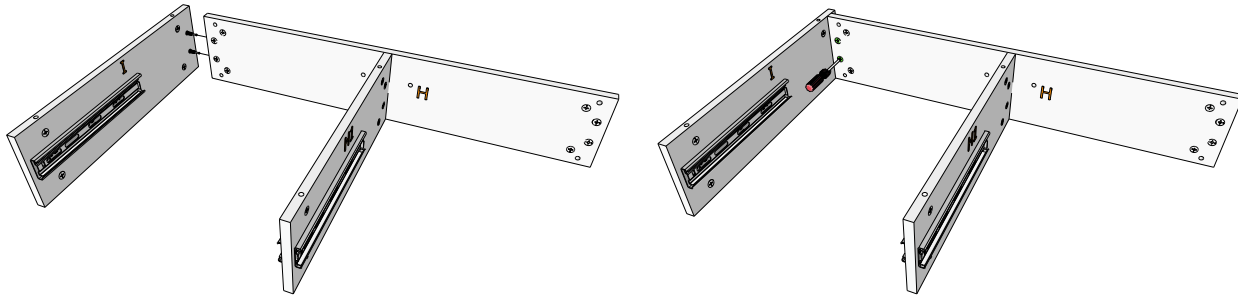
2.d. screw 16 mini fixes into the pre-drilled holes on parts **J** and **F** ↓



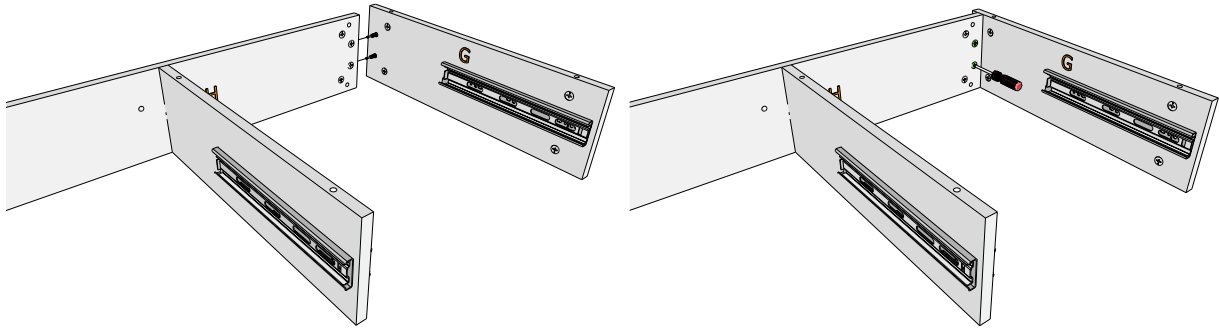
2.e. attach middle plank **H1** to rear plank **H**, tighten **CAM(s)** to secure in place ↓



2.f. attach side plank **I** to the above assembled structure, tighten **CAM(s)** to secure it ↓



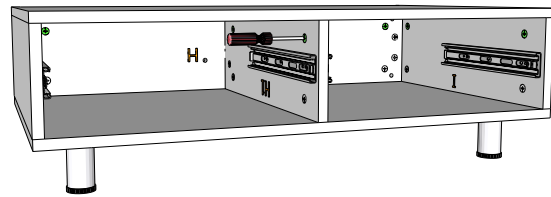
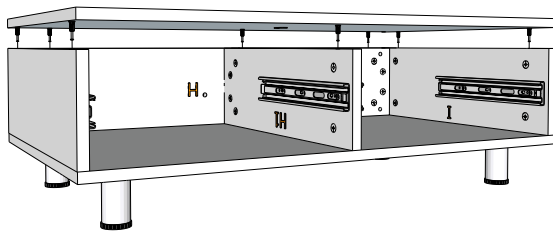
2.g. attach side plank **G** to the above assembled structure, tighten **CAM(s)** to secure it ↓



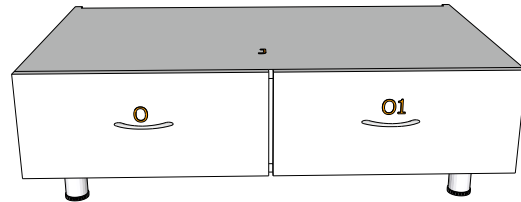
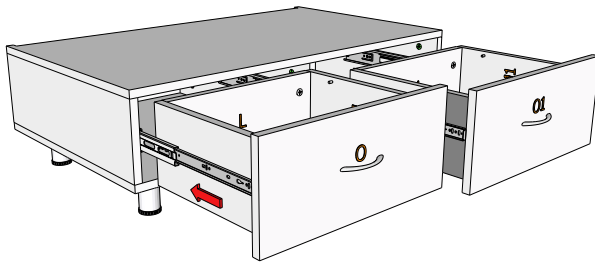
2.h. attach side plank **H2** to the above assembled structure, tighten **CAM(s)** to secure it ↓



2.i. flip the assembled structure and place plank **J** on it, tighten **CAM(s)**, x8 total, to secure it
↓

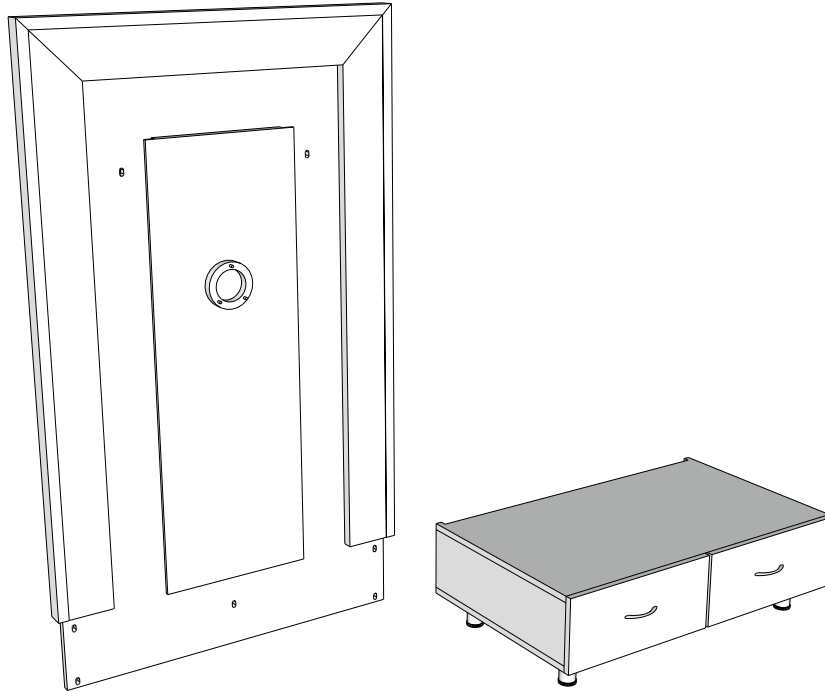


2.j. extend the drawer slides out and slides the two drawers in place. Drawer with front **O** goes on the **left** and drawer with front **O1** goes on the **right** ↓

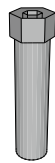


Step 3: Affix the back panel to the base structure

Gather the required hardware, back panel **A** and the fully assembled base structure



Required hardware is shown below

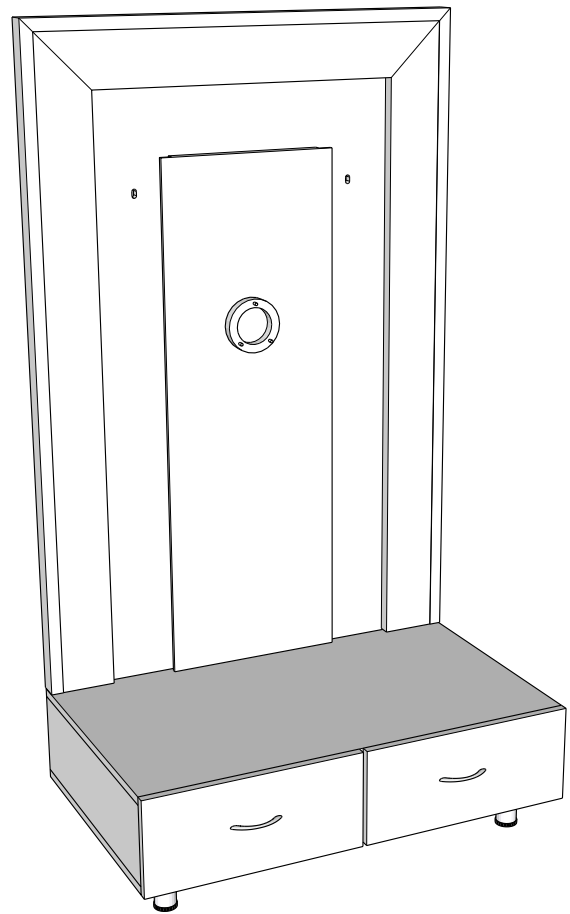
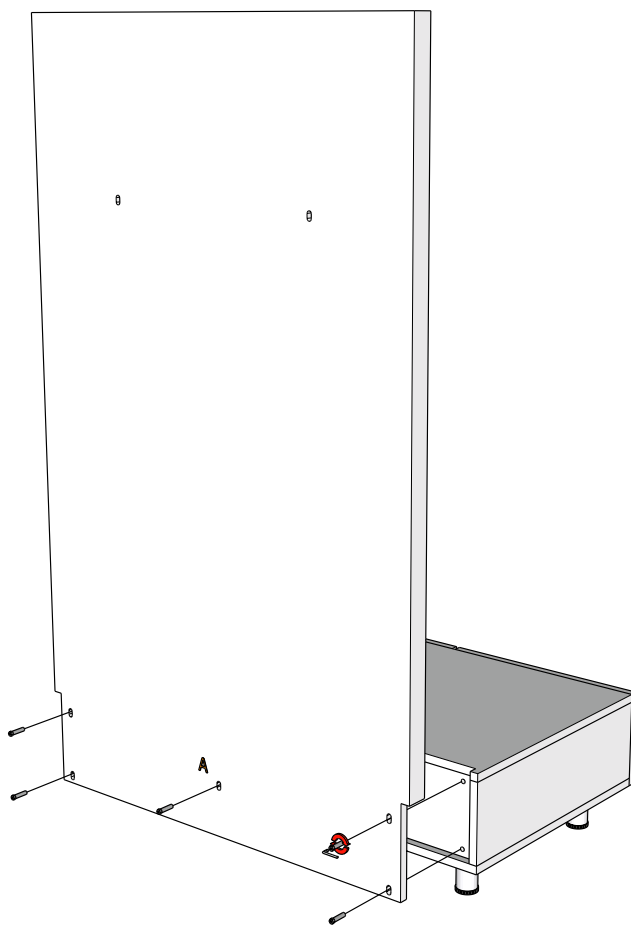


hex bolt
x5 or 6



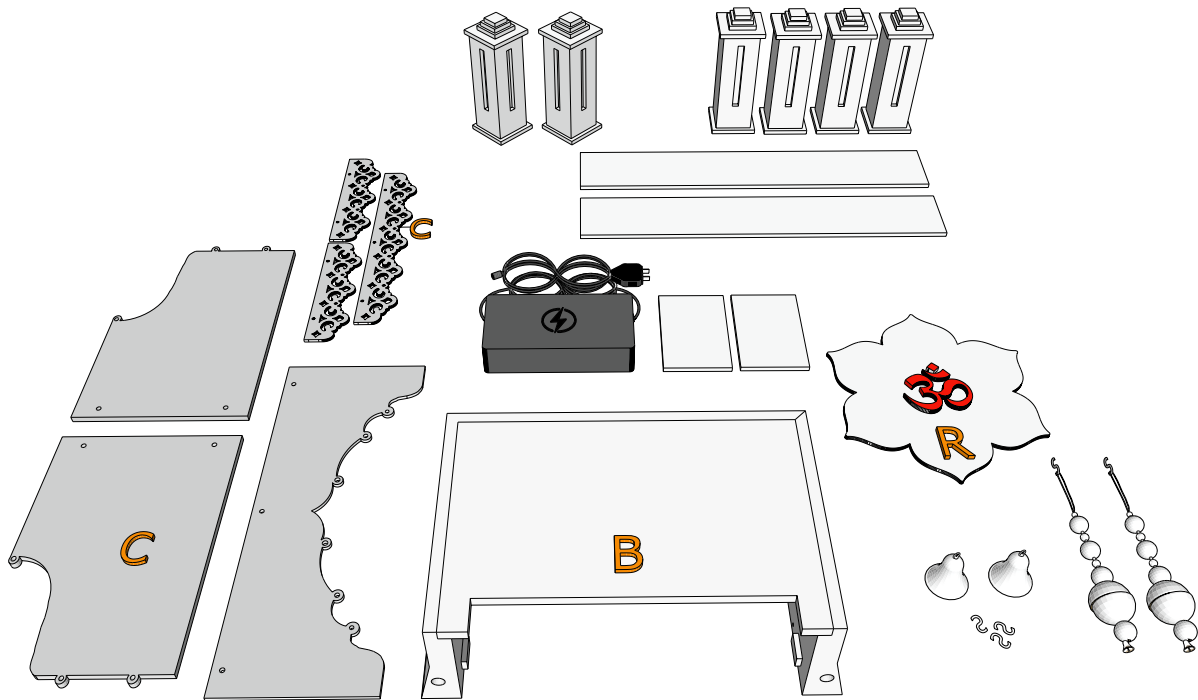
hex key / allen key
x1

3.a. align the holes at the back of the panel **A** with the holes at the back of the base structure, then secure the panel in place using the hex bolts provided using the **hex key** provided along with the mandir.

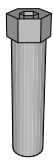


Step 4: Affix the hood and decorate the mandir

Gather the below shown parts to finish decorating your mandir. The Jharoka hanger design (part C) may vary based on your mandir design but the same assembly instructions apply



Required hardware is shown below



hex bolt

x2



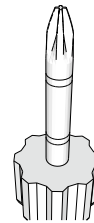
hex key / allen key

x1



hanger screw

x6+



philips screw driver

x1 | **not included**

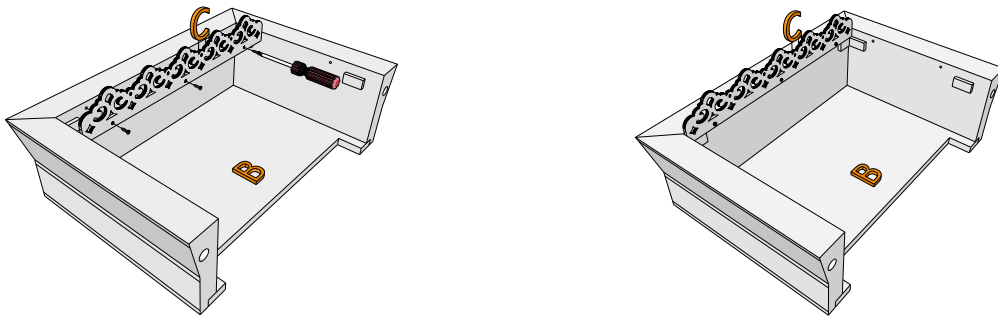


S hook

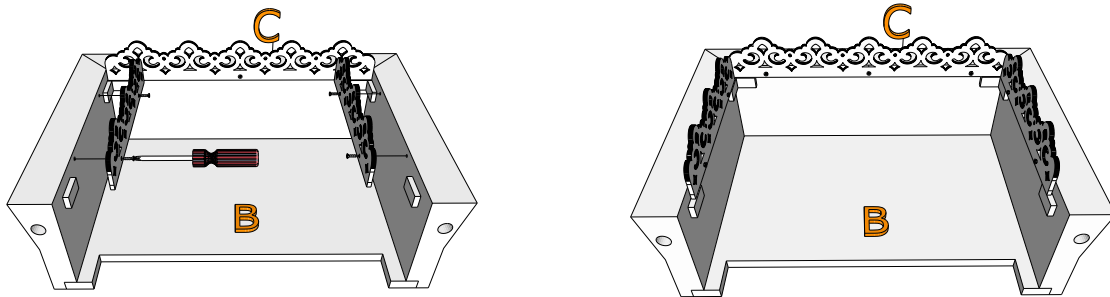
x4+



4.a. slide the **jharoka hanger** onto the placeholder tiles and fasten the screws to secure ↓

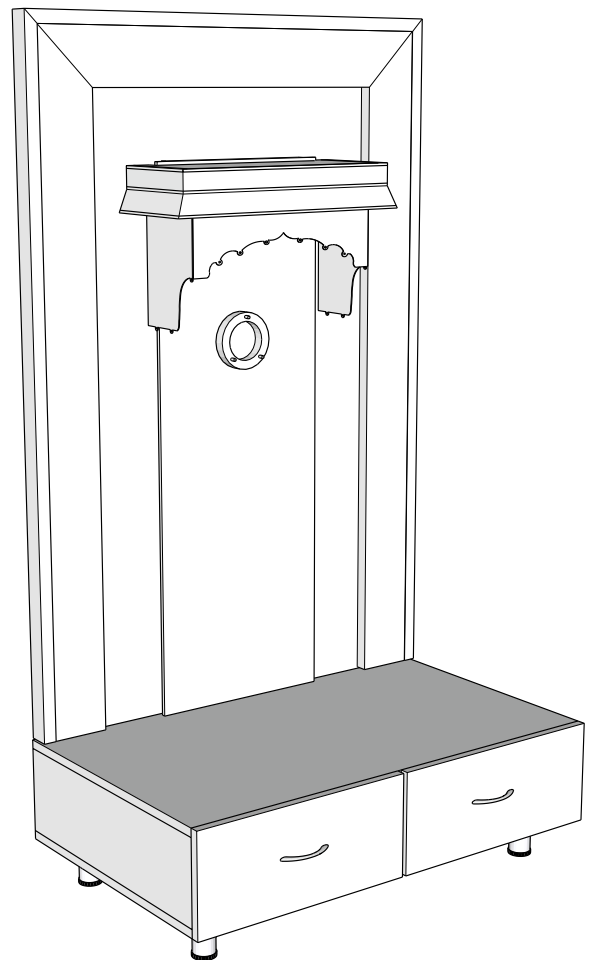
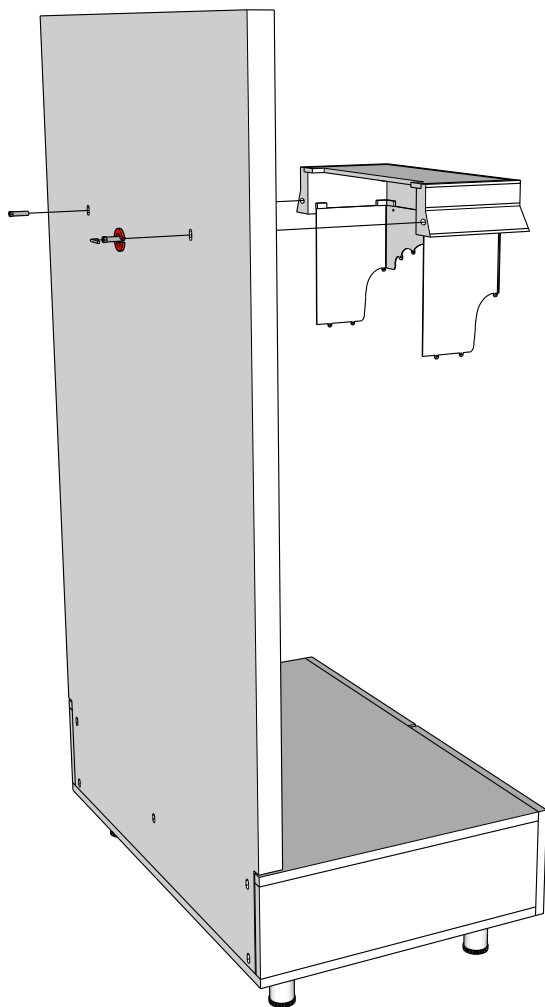


4.b. repeat the same for the other **jharoka hanger** side pieces ↓

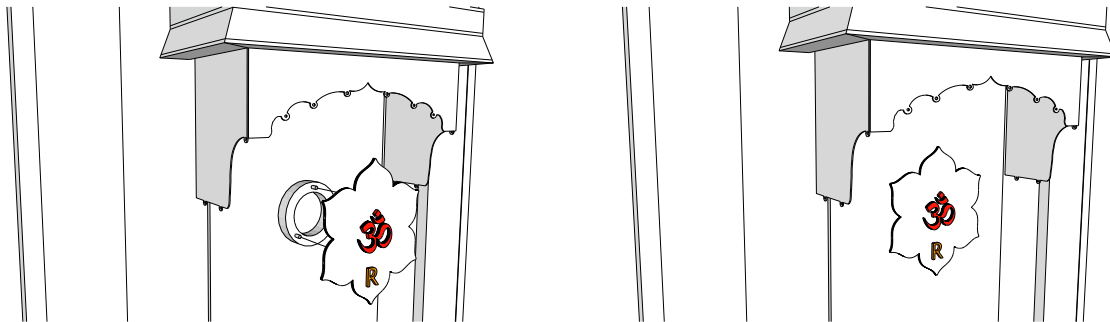


4.c. using the **hex bolts** and **hex key** secure the **hood** onto the **back panel**.

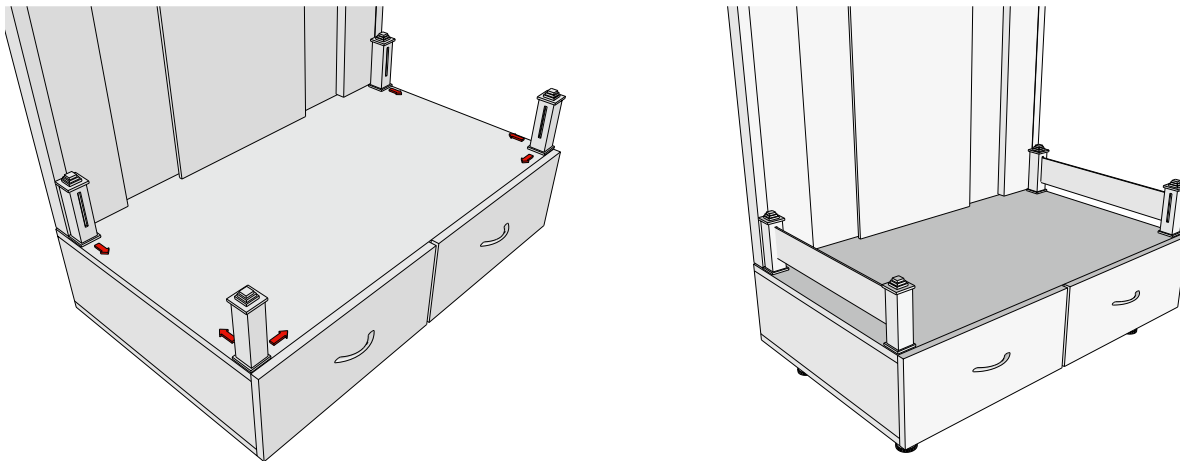
Note: Make sure the hood is completely flush against the back panel and there are no visible gaps where the hood and the panel meet.



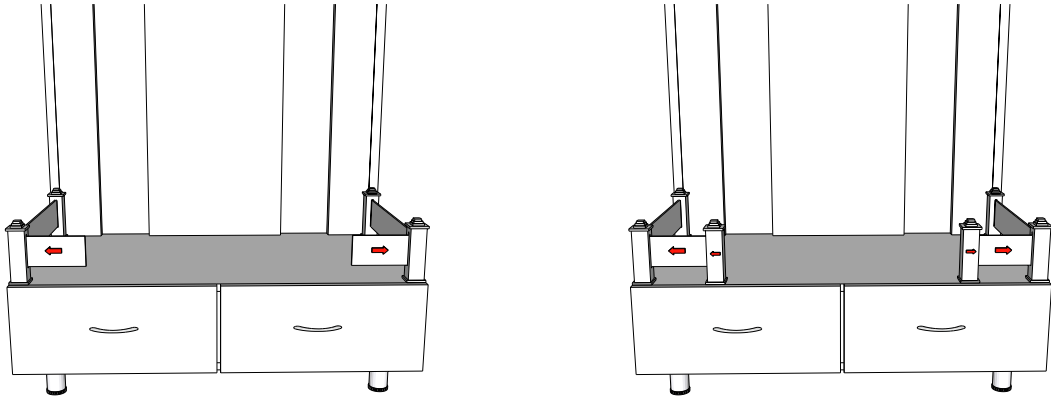
4.d. simply push the **center element** against the placeholder bullets on the back panel ↓



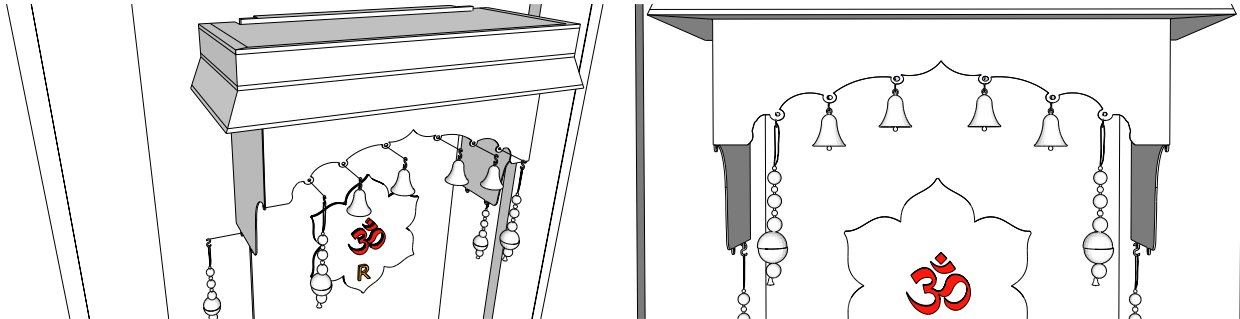
4.e. identify the single slot and double slot **pillars** and place them against the edges of the base. Once the pillars are laid out, peel the double sided tape on the bottom of the **pillar** to stick the **pillar** onto the mandir base. Then slide the longer **fences** into the provided slots ↓



4.f. slide the smaller **fences** perpendicular to the longer **fence** into the other end of the front pillars. Then slide the remaining 2 **pillars** in place and before sticking them to the base, ensure that they are equidistant from both ends of the base. ↓

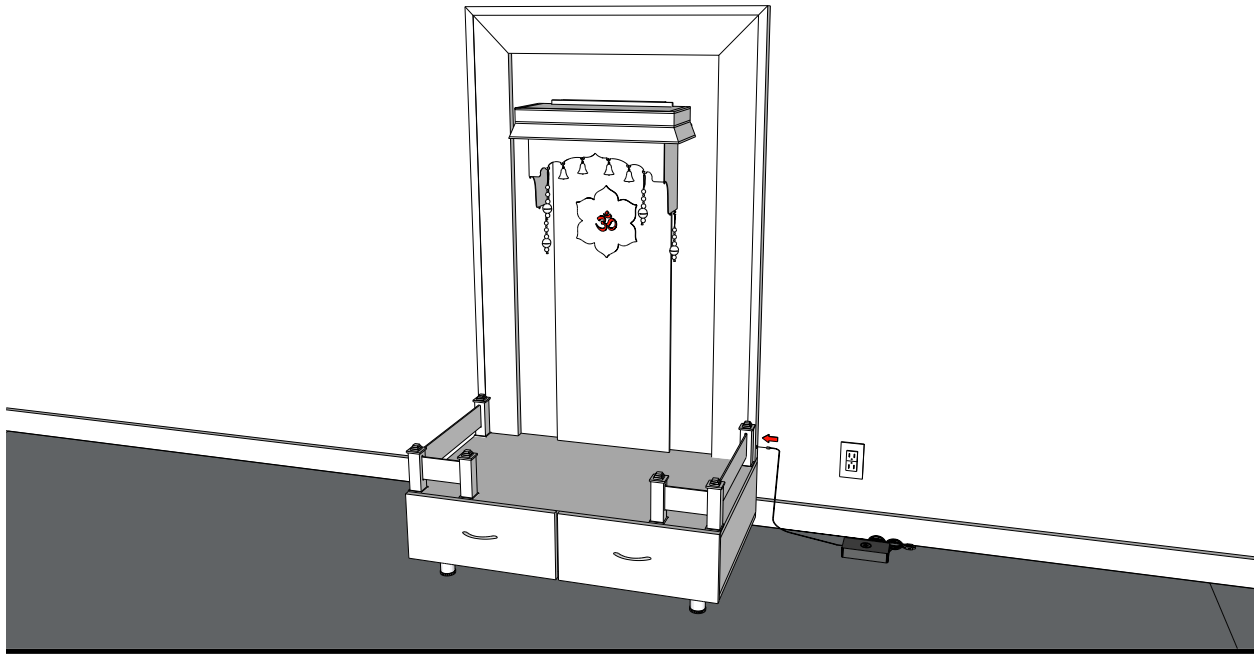


4.g. use the 'S' hooks to hang the **latkans** and **brass bells** onto the **jharoka hanger** ↓



4.h. grab the led pin on the power adapter and plug it into the pin receiver on the side of the back panel. Plug the other end of the power adapter into any socket within the range of 110V - 230V.

Note: A socket pin converter may be included in your package based on your delivery location



Congratulations! You have now completed the mandir assembly.

For any questions, comments or suggestions, email us at team@themandirstore.us

