

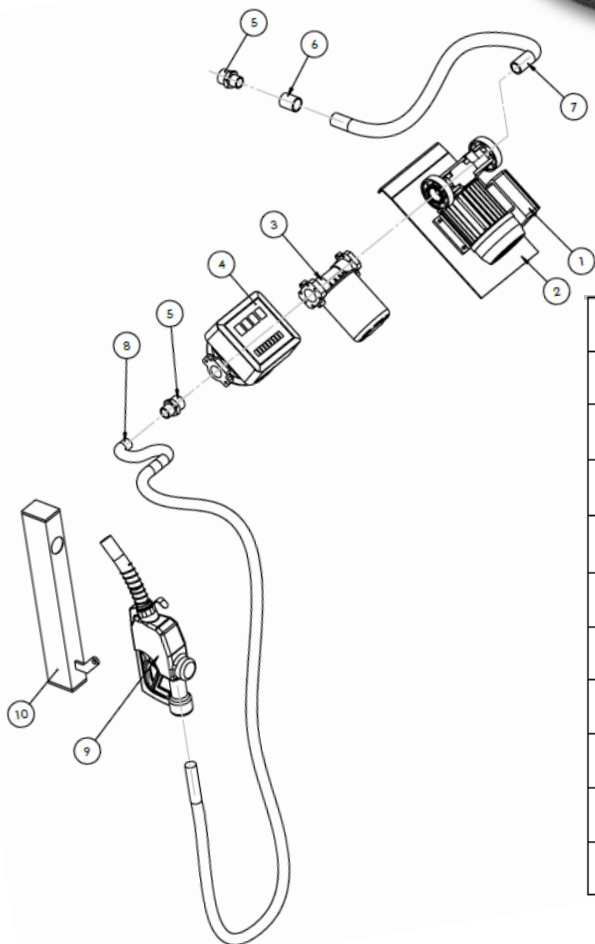
# Pump Kit for LTKD Kube Tanks

## Low Flow Piusi Panther 72 LPM Pump



### Items included in Pump Kit

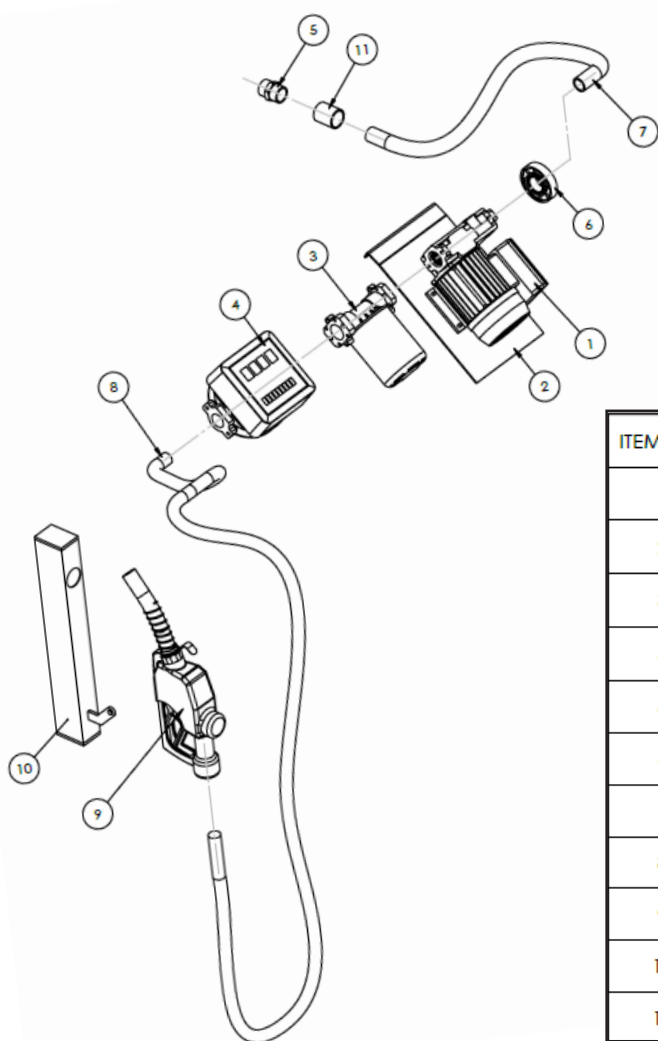
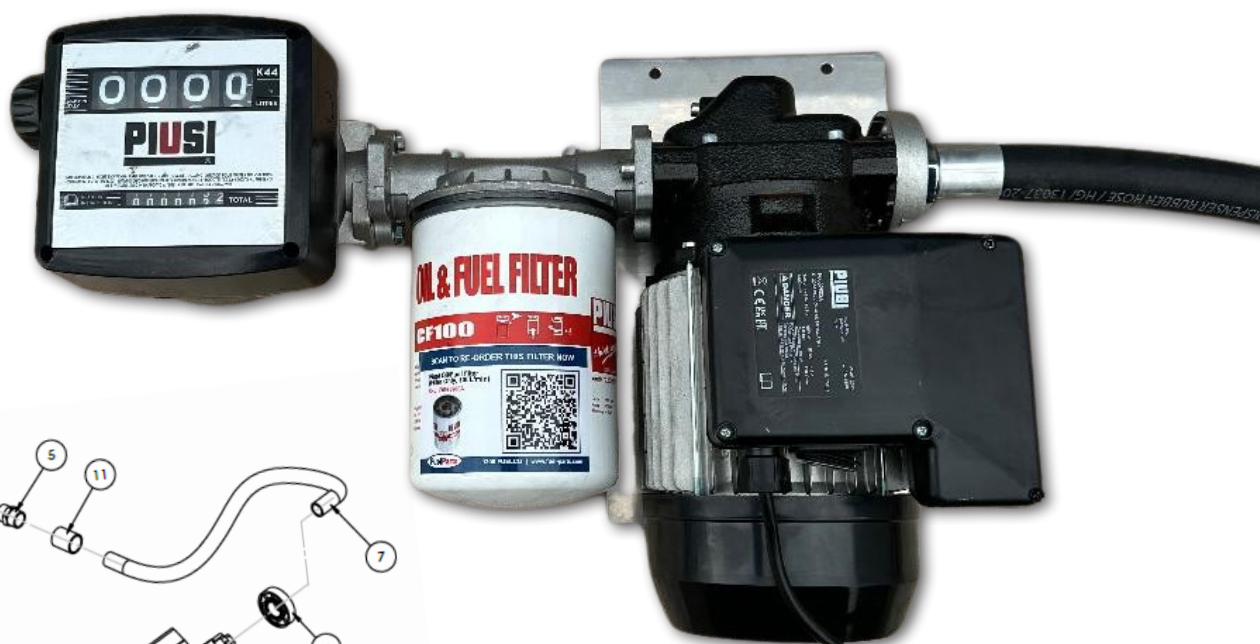
ITEM NO.	PART NUMBER	DESCRIPTION	QTY.
1	F0073205A	PIUSI: PANTHER 72 LPM 240V	1
2	ABP.KIT	MOUNTING FRAME - ALI BLACK PLATE FOR KITS	1
3	F0914900B	FILTER - PIUSI OIL FILTER, 100 LIT/MIN WITH HEAD 25MM GAS	1
4	000560000	FLOW METER - PIUSI K44 MECHANICAL REGISTER	1
5	CONSUMABLES	HEX NIPPLE DN25 - DN20 BSP	2
6	CONSUMABLES	FULL SOCKET - DN20	1
7	Hose19UL	FLEXIBLE HOSE - DN20, 800 MM, M-M	1
8	Hose19UL	FLEXIBLE HOSE - DN20, 5000 MM, M-M	1
9	JH-ZFQ-Q80	DN25 LOW FLOW DISPENSING NOZZLE	1
10	NOZ.FES.GALV.	DISPENSING NOZZLE STOW	1



*Disclaimer: Information and photographs shown are for marketing purposes only. Actual product may vary to images shown due to continual improvement processes, design changes and optional extras*

# Pump Kit for LTKD Kube Tanks

## High Flow Piusi E120 Pump



### Items included in Pump Kit

ITEM NO.	PART NUMBER	DESCRIPTION	QTY.
1	F0032603A	PIUSI_E120 240V	1
2	ABP.KIT	MOUNTING FRAME FOR E120 PUMP - ALI BLACK PLATE FOR KIT	1
3	F0914900B	FILTER - PIUSI OIL FILTER, 100 LIT/MIN WITH HEAD 25MM GAS	1
4	000560000	FLOW METER - PIUSI K44 MECHANICAL REGISTER	1
5	CONSUMABLES	HEX NIPPLE DN25 BSP	1
6	F0032603A	ADAPTOR PUMP FLANGE - DN25	1
7	Hose25UL	FLEXIBLE HOSE - DN25, 800 MM, M-M	1
8	Hose25UL	FLEXIBLE HOSE - DN25, 5000 MM, M-M	1
9	JH-Q120	DN25 HI FLOW DISPENSING NOZZLE	1
10	NOZ.FES.GALV	DISPENSING NOZZLE STOW	1
11	CONSUMABLES	FULL SOCKET - DN25	1

*Disclaimer: Information and photographs shown are for marketing purposes only. Actual product may vary to images shown due to continual improvement processes, design changes and optional extras*