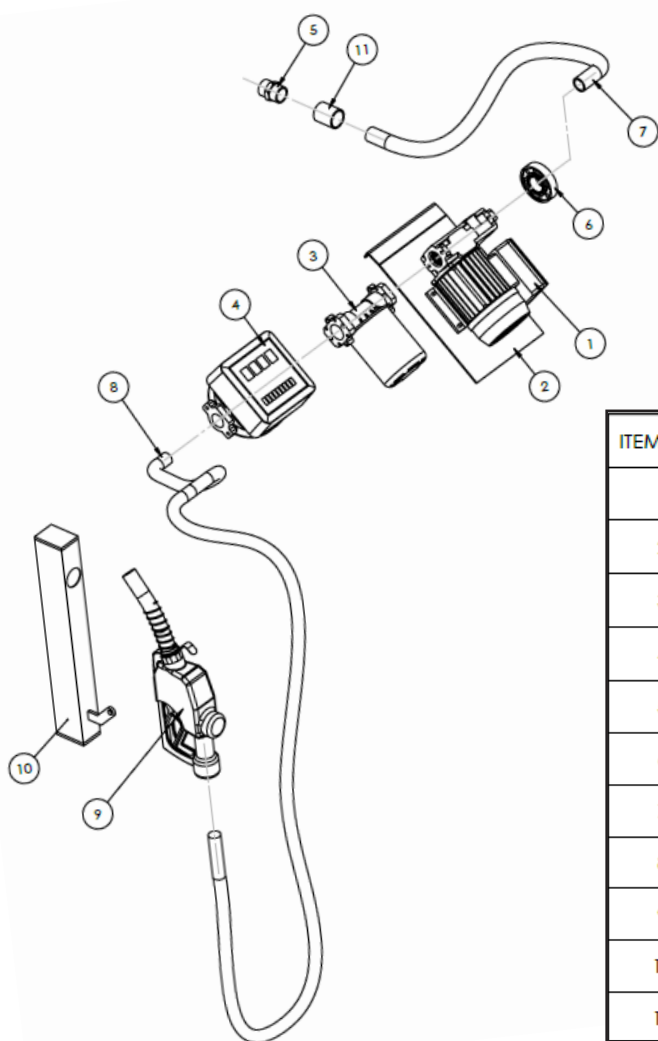
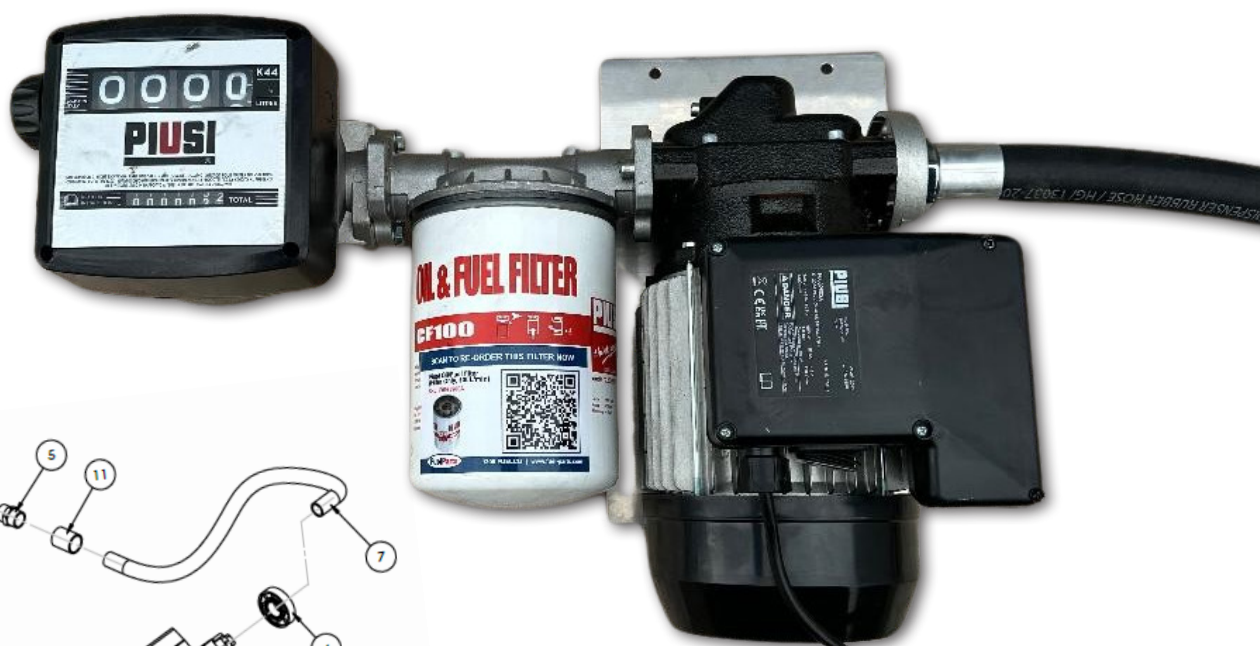


Pump Kit for LTKD Kube Tanks

High Flow Piusi E120 Pump



Items included in Pump Kit

ITEM NO.	PART NUMBER	DESCRIPTION	QTY.
1	F0032603A	PIUSI_E120 240V	1
2	ABP.KIT	MOUNTING FRAME FOR E120 PUMP - ALI BLACK PLATE FOR KIT	1
3	F0914900B	FILTER - PIUSI OIL FILTER, 100 LIT/MIN WITH HEAD 25MM GAS	1
4	000560000	FLOW METER - PIUSI K44 MECHANICAL REGISTER	1
5	CONSUMABLES	HEX NIPPLE DN25 BSP	1
6	F0032603A	ADAPTOR PUMP FLANGE - DN25	1
7	Hose25UL	FLEXIBLE HOSE - DN25, 800 MM, M-M	1
8	Hose25UL	FLEXIBLE HOSE - DN25, 5000 MM, M-M	1
9	JH-Q120	DN25 HI FLOW DISPENSING NOZZLE	1
10	NOZ.FES.GALV	DISPENSING NOZZLE STOW	1
11	CONSUMABLES	FULL SOCKET - DN25	1

Disclaimer: Information and photographs shown are for marketing purposes only. Actual product may vary to images shown due to continual improvement processes, design changes and optional extras