

INTRODUCTION

Thank you for purchasing a Honda engine. We want to help you to get the best results from your new engine and to operate it safely. This manual contains information on how to do that; please read it carefully before operating the engine. If a problem should arise, or if you have any questions about your engine, consult your servicing dealer.

All information in this publication is based on the latest product information available at the time of printing. Honda Motor Co., Ltd. reserves the right to make changes at any time without notice and without incurring any obligation. No part of this publication may be reproduced without written permission.


This manual should be considered a permanent part of the engine and should remain with the engine if resold.

We suggest you read the warranty policy to fully understand its coverage and your responsibilities of ownership.




Review the instructions provided with the equipment powered by this engine for any additional information regarding engine startup, shutdown, operation, adjustments or any special maintenance instructions.

SAFETY MESSAGES

Your safety and the safety of others are very important. We have provided important safety messages in this manual and on the engine. Please read these messages carefully.

A safety message alerts you to potential hazards that could hurt you or others. Each safety message is preceded by a safety alert symbol  and one of three words, DANGER, WARNING, or CAUTION.

These signal words mean:

-  **DANGER** You WILL be KILLED or SERIOUSLY HURT if you don't follow instructions.
-  **WARNING** You CAN be KILLED or SERIOUSLY HURT if you don't follow instructions.
-  **CAUTION** You CAN be HURT if you don't follow instructions.

Each message tells you what the hazard is, what can happen, and what you can do to avoid or reduce injury.

DAMAGE PREVENTION MESSAGES

You will also see other important messages that are preceded by the word NOTICE.

This word means:

- NOTICE** Your engine or other property can be damaged if you don't follow instructions.

The purpose of these messages is to help prevent damage to your engine, other property, or the environment.

©2017 Honda Motor Co., Ltd. –All Rights Reserved

GP160H-GP200H

3RZDK601
00X3R-ZDK-6011

HONDA

OWNER'S MANUAL

MANUEL DE L'UTILISATEUR

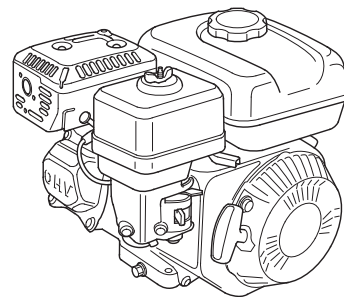
BEDIENUNGSANLEITUNG

MANUAL DEL PROPIETARIO

INSTRUKTIEHANDLEIDING

MANUALE DELL'UTENTE

GP160 • GP200



The illustrations herein are mainly based on: PTO shaft type S, with fuel tank

- The illustration may vary according to the type.

CONTENTS

INTRODUCTION.....	1	HELPFUL TIPS & SUGGESTIONS.....	11
SAFETY MESSAGES	1	STORING YOUR ENGINE	11
SAFETY INFORMATION	2	TRANSPORTING	12
SAFETY LABEL LOCATION	2	TAKING CARE OF UNEXPECTED PROBLEMS.....	13
COMPONENT & CONTROL LOCATIONS.....	2	TECHNICAL INFORMATION	13
FEATURES.....	3	Serial Number Location	13
BEFORE OPERATION		Remote Control Linkage.....	14
CHECKS	3	Carburetor Modifications for High Altitude Operation	14
OPERATION.....	4	Specifications.....	15
SAFE OPERATING PRECAUTIONS.....	4	Tune-up Specifications.....	15
STARTING THE ENGINE.....	4	Wiring Diagrams.....	15
STOPPING THE ENGINE.....	5	CONSUMER INFORMATION	16
SETTING ENGINE SPEED.....	5	DISTRIBUTOR/DEALER LOCATOR INFORMATION.....	16
SERVICING YOUR ENGINE	6	CUSTOMER SERVICE INFORMATION.....	16
THE IMPORTANCE OF MAINTENANCE.....	6		
MAINTENANCE SAFETY	6		
SAFETY PRECAUTIONS	6		
MAINTENANCE SCHEDULE	6		
REFUELING	7		
ENGINE OIL	7		
Recommended Oil	7		
Oil Level Check.....	8		
Oil Change	8		
AIR CLEANER	9		
Inspection	9		
Cleaning.....	9		
SPARK PLUG	11		

ENGLISH

FRANÇAIS

DEUTSCH

ESPAÑOL

NETERLANDS

ITALIANO

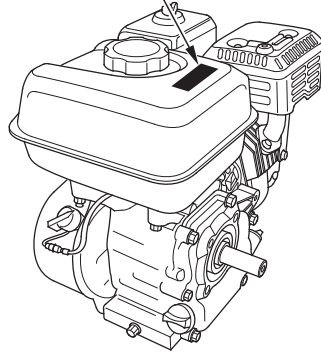
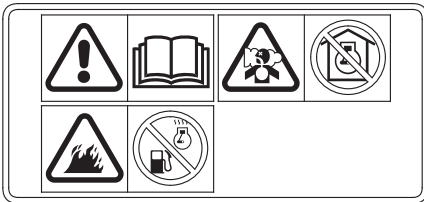
SAFETY INFORMATION

- Understand the operation of all controls and learn how to stop the engine quickly in case of emergency. Make sure the operator receives adequate instruction before operating the equipment.
- Do not allow children to operate the engine. Keep children and pets away from the area of operation.
- Your engine's exhaust contains poisonous carbon monoxide. Do not run the engine without adequate ventilation, and never run the engine indoors.
- The engine and exhaust become very hot during operation. Keep the engine at least 1 meter away from buildings and other equipment during operation. Keep flammable materials away, and do not place anything on the engine while it is running.

SAFETY LABEL LOCATION

This label warns you of potential hazards that can cause serious injury. Read it carefully.

If the label comes off or becomes hard to read, contact your servicing dealer for replacement.



Gasoline is highly flammable and explosive. Stop the engine and let cool before refueling.

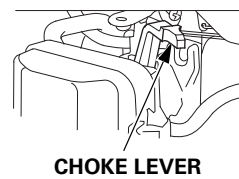
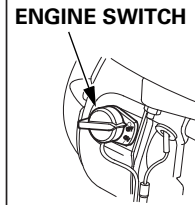
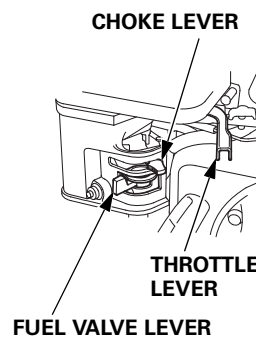
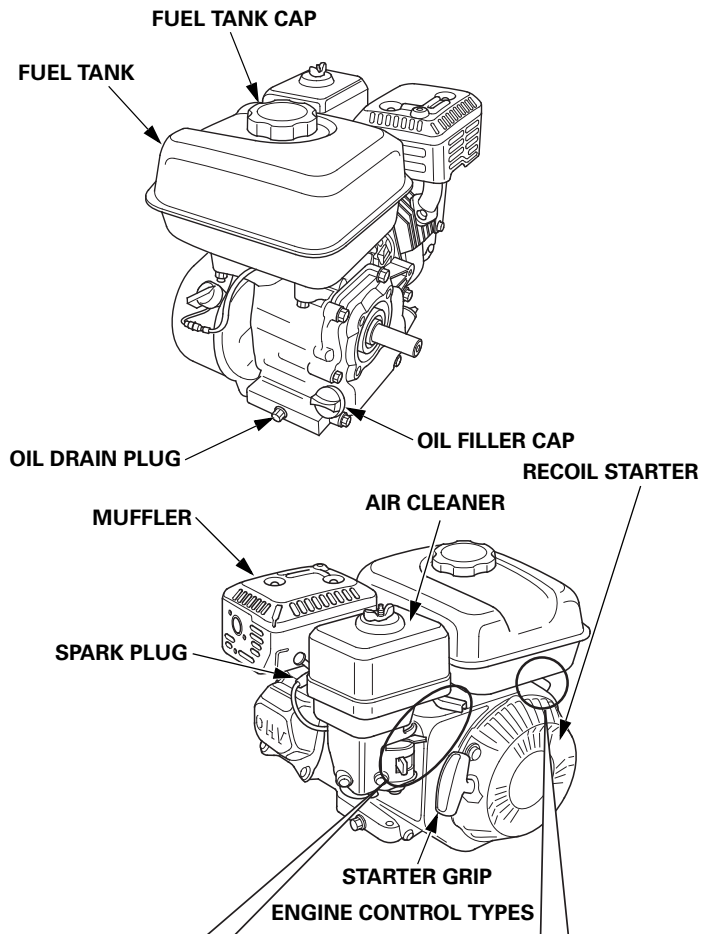


The engine emits toxic poisonous carbon monoxide gas. Do not run in an enclosed area.



Read Owner's Manual before operation.

COMPONENT & CONTROL LOCATIONS



FEATURES

OIL ALERT SYSTEM (applicable types)

The Oil Alert system is designed to prevent engine damage caused by an insufficient amount of oil in the crankcase. Before the oil level in the crankcase can fall below a safe limit, the Oil Alert system will automatically stop the engine (the engine switch will remain in the ON position).

If the engine stops and will not restart, check the engine oil level (see page 8) before troubleshooting in other areas.

BEFORE OPERATION CHECKS

IS YOUR ENGINE READY TO GO?

For your safety, to ensure compliance with environmental regulations, and to maximize the service life of your equipment, it is very important to take a few moments before you operate the engine to check its condition. Be sure to take care of any problem you find, or have your servicing dealer correct it, before you operate the engine.

WARNING

Failure to properly maintain this engine, or failing to correct a problem before operation, could result in a significant malfunction.

Some malfunctions can seriously hurt or kill you.

Always perform a pre-operation inspection before each operation and correct any problems.

Before beginning your pre-operation checks, be sure the engine is level and the engine switch is in the OFF position.

Always check the following items before you start the engine:

Check the General Condition of the Engine

1. Look around and underneath the engine for signs of oil or gasoline leaks.
2. Remove any excessive dirt or debris, especially around the muffler and recoil starter.
3. Look for signs of damage.
4. Check that all shields and covers are in place, and all nuts, bolts, and screws are tightened.

Check the Engine

1. Check the fuel level (see page 7). Starting with a full tank will help to eliminate or reduce operating interruptions for refueling.
2. Check the engine oil level (see page 8). Running the engine with a low oil level can cause engine damage.

The Oil Alert system (applicable types) will automatically stop the engine before the oil level falls below safe limits. However, to avoid the inconvenience of an unexpected shutdown, always check the engine oil level before startup.

3. Check the air filter element (see page 9). A dirty air filter element will restrict air flow to the carburetor, reducing engine performance.
4. Check the equipment powered by this engine.

Review the instructions provided with the equipment powered by this engine for any precautions and procedures that should be followed before engine startup.

OPERATION

SAFE OPERATING PRECAUTIONS

Before operating the engine for the first time, please review the *SAFETY INFORMATION* section on page 2 and the *BEFORE OPERATION CHECKS* on page 3.

For your safety, do not operate the engine in an enclosed area such as a garage. Your engine's exhaust contains poisonous carbon monoxide gas that can collect rapidly in an enclosed area and cause illness or death.

⚠ WARNING

Exhaust contains poisonous carbon monoxide gas that can build up to dangerous levels in closed areas.

Breathing carbon monoxide can cause unconsciousness or death.

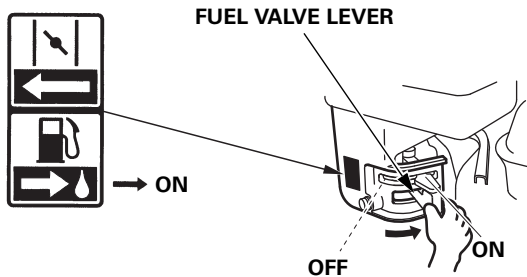
Never run this product's engine in a closed, or even partly closed area where people may be present.

Review the instructions provided with the equipment powered by this engine for any safety precautions that should be observed with engine startup, shutdown or operation.

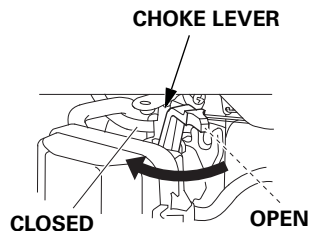
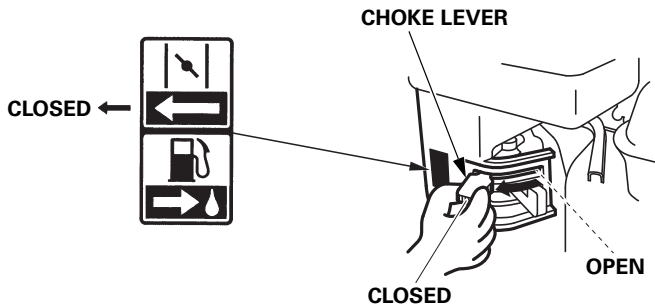
Do not operate the engine on slopes greater than 20° (36%).

STARTING THE ENGINE

1. Move the fuel valve lever to the ON position.



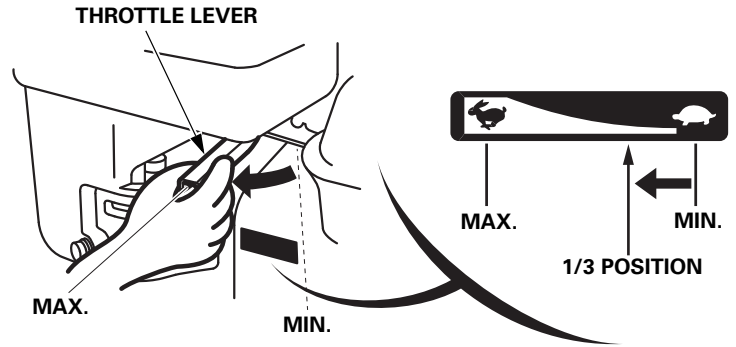
2. To start a cold engine, move the choke lever or choke rod (applicable types) to the CLOSED position.



To restart a warm engine, leave the choke lever or choke rod in the OPEN position.

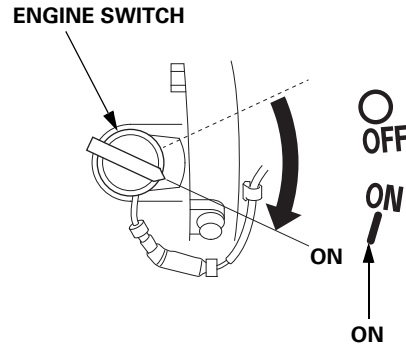
Some engine applications use a remote-mounted choke control rather than the engine-mounted choke lever shown here. Refer to the instructions provided by the equipment manufacturer.

3. Move the throttle lever away from the MIN. position, about 1/3 of the way toward the MAX. position.



Some engine applications use a remote-mounted throttle control rather than the engine-mounted throttle lever shown here. Refer to the instructions provided by the equipment manufacturer.

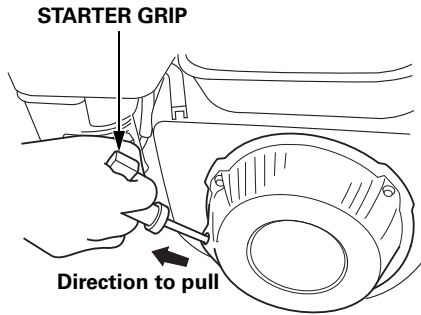
4. Turn the engine switch to the ON position.



- Operate the starter.

RECOIL STARTER

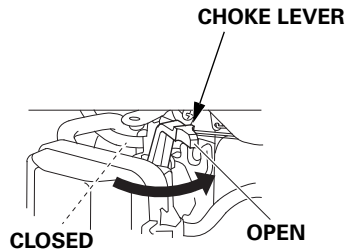
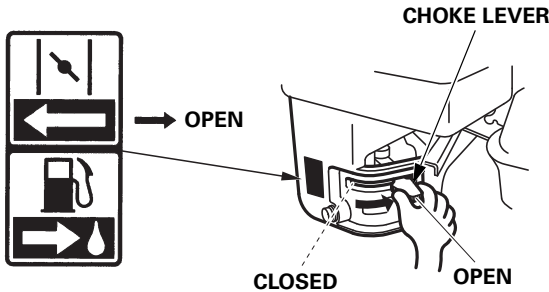
Pull the starter grip lightly until you feel resistance, then pull briskly in the direction of the arrow as shown below. Return the starter grip gently.



NOTICE

Do not allow the starter grip to snap back against the engine. Return it gently to prevent damage to the starter.

- If the choke lever or choke rod (applicable types) was moved to the CLOSED position to start the engine, gradually move it to the OPEN position as the engine warms up.

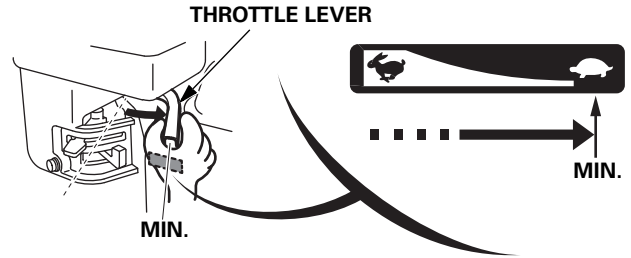


STOPPING THE ENGINE

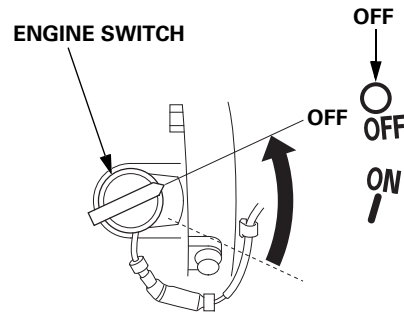
To stop the engine in an emergency, simply turn the engine switch to the OFF position. Under normal conditions, use the following procedure. Refer to the instructions provided by the equipment manufacturer.

- Move the throttle lever fully to the MIN. position.

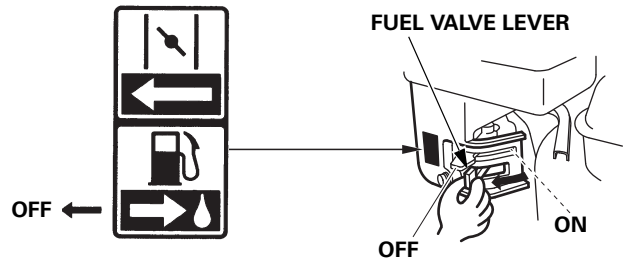
Some engine applications use a remote-mounted throttle control rather than the engine-mounted throttle lever shown here.



- Turn the engine switch to the OFF position.



- Move the fuel valve lever to the OFF position.

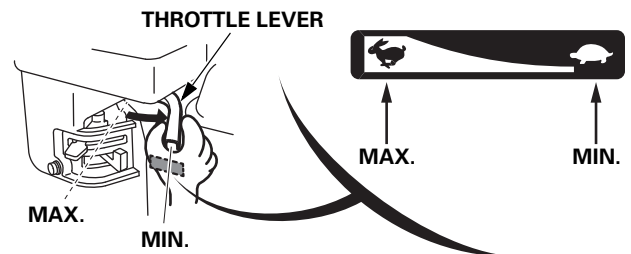


SETTING ENGINE SPEED

Position the throttle lever for the desired engine speed.

Some engine applications use a remote-mounted throttle control rather than the engine-mounted throttle lever shown here. Refer to the instructions provided by the equipment manufacturer.

For engine speed recommendations, refer to the instructions provided with the equipment powered by this engine.



SERVICING YOUR ENGINE

THE IMPORTANCE OF MAINTENANCE

Good maintenance is essential for safe, economical and trouble-free operation. It will also help reduce pollution.

⚠ WARNING

Failure to properly maintain this engine, or failing to correct a problem before operation, could result in a significant malfunction.

Some malfunctions can seriously hurt or kill you.

Always follow the inspection and maintenance recommendations and schedules in this owner's manual.

To help you properly care for your engine, the following pages include a maintenance schedule, routine inspection procedures, and simple maintenance procedures using basic hand tools. Other service tasks that are more difficult, or require special tools, are best handled by professionals and are normally performed by a Honda technician or other qualified mechanic.

The maintenance schedule applies to normal operating conditions. If you operate your engine under severe conditions, such as sustained high-load or high-temperature operation, or use in unusually wet or dusty conditions, consult your servicing dealer for recommendations applicable to your individual needs and use. **Use only Honda Genuine parts or their equivalent. The use of replacement parts which are not of equivalent quality may damage the engine.**

MAINTENANCE SAFETY

Some of the most important safety precautions follow. However, we cannot warn you of every conceivable hazard that can arise in performing maintenance. Only you can decide whether or not you should perform a given task.

⚠ WARNING

Improper maintenance can cause an unsafe condition.

Failure to properly follow maintenance instructions and precautions can cause you to be seriously hurt or killed.

Always follow the procedures and precautions in this owner's manual.

SAFETY PRECAUTIONS

- Make sure the engine is off before you begin any maintenance or repairs. To prevent unintentional startup, disconnect the spark plug cap. This will eliminate several potential hazards:
 - **Carbon monoxide poisoning from engine exhaust.**
Operate outside, away from open windows or doors.
 - **Burns from hot parts.**
Let the engine and exhaust system cool before touching.
 - **Injury from moving parts.**
Do not run the engine unless instructed to do so.
- Read the instructions before you begin, and make sure you have the tools and skills required.
- To reduce the possibility of fire or explosion, be careful when working around gasoline. Use only a non-flammable solvent, not gasoline, to clean parts. Keep cigarettes, sparks and flames away from all fuel related parts.

Remember that an authorized Honda servicing dealer knows your engine best and is fully equipped to maintain and repair it. To ensure the best quality and reliability, use only new Honda Genuine parts or their equivalents for repair and replacement.

MAINTENANCE SCHEDULE

REGULAR SERVICE PERIOD (1) Perform at every indicated month or operating hour interval, whichever comes first.		Each Use	First Month or 20 Hrs	Every 3 Months or 50 Hrs	Every 6 Months or 100 Hrs	Every Year or 300 Hrs	Refer to Page
ITEM							
Engine oil	Check level	o					8
	Change		o		o		8
Air cleaner	Check	o					9-10
	Clean			o (2)			9-10
	Replace					o*	
Spark plug	Check-adjust				o		11
	Replace					o	
Idle Speed	Check-adjust					o (3)	Shop manual
Valve clearance	Check-adjust					o (3)	Shop manual
Combustion chamber	Clean	After every 500 Hrs. (3)					Shop manual
Fuel tank & filter	Clean				o (3)		Shop manual
Fuel tube	Check	Every 2 years (Replace if necessary) (3)					Shop manual

* Replace paper element type only.

- (1) For commercial use, log hours of operation to determine proper maintenance intervals.
- (2) Service more frequently when used in dusty areas.
- (3) These items should be serviced by your servicing dealer, unless you have the proper tools and are mechanically proficient. Refer to the Honda shop manual for service procedures.

Failure to follow this maintenance schedule could result in non-warrantable failures.

REFUELING

Recommended Fuel

Unleaded gasoline
Research octane rating 91 or higher
Pump octane rating 86 or higher

This engine is certified to operate on unleaded gasoline with a research octane rating of 91 or higher (a pump octane rating of 86 or higher).

Refuel in a well ventilated area with the engine stopped. If the engine has been running, allow it to cool first. Never refuel the engine inside a building where gasoline fumes may reach flames or sparks.

You may use unleaded gasoline containing no more than 10% ethanol (E10) or 5% methanol by volume. In addition, methanol must contain cosolvents and corrosion inhibitors. Use of fuels with content of ethanol or methanol greater than shown above may cause starting and/or performance problems. It may also damage metal, rubber, and plastic parts of the fuel system. Engine damage or performance problems that result from using a fuel with percentages of ethanol or methanol greater than shown above are not covered under the Warranty.

If your equipment will be used on an infrequent or intermittent basis, please refer to the "Fuel" section of the *STORING YOUR ENGINE* chapter (see page 11) for additional information regarding fuel deterioration.

Never use gasoline that is stale, contaminated, or mixed with oil. Avoid getting dirt or water in the fuel tank.

WARNING

Gasoline is highly flammable and explosive, and you can be burned or seriously injured when refueling.

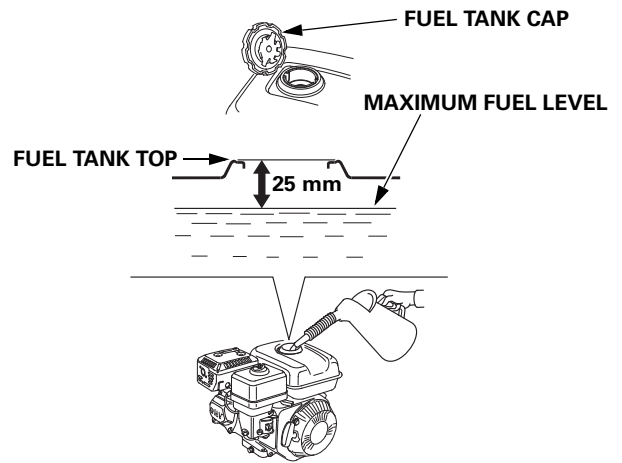
- Stop the engine and let it cool before refueling.
- Keep heat, sparks, and flame away.
- Refuel only outdoors.
- Wipe up spills immediately.

NOTICE

Fuel can damage paint and some types of plastic. Be careful not to spill fuel when filling your fuel tank. Damage caused by spilled fuel is not covered under the Warranty.

For refueling, refer to the manufacturer's instructions provided with the equipment. See the following for a Honda supplied standard fuel tank refueling instruction.

1. With the engine stopped and on a level surface, remove the fuel tank cap and check the fuel level. Refill the tank if the fuel level is low.
2. Add fuel to the maximum fuel level of the fuel tank. Do not fill the fuel tank completely. Do not overfill. Wipe up spilled fuel before starting the engine.



3. Refuel carefully to avoid spilling fuel. Fill tank to approximately 25 mm below the top of the fuel tank to allow for fuel expansion. It may be necessary to lower the fuel level depending on operating conditions. After refueling, tighten the fuel tank cap securely.

Keep gasoline away from appliance pilot lights, barbecues, electric appliances, power tools, etc.

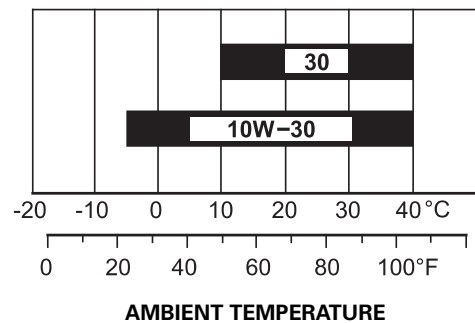
Spilled fuel is not only a fire hazard, it causes environmental damage. Wipe up spills immediately.

ENGINE OIL

Oil is a major factor affecting performance and service life. Use 4-stroke automotive detergent oil.

Recommended Oil

Use 4-stroke motor oil that meets or exceeds the requirements for API service category SE or later (or equivalent). Always check the API service label on the oil container to be sure it includes the letters SE or later (or equivalent).



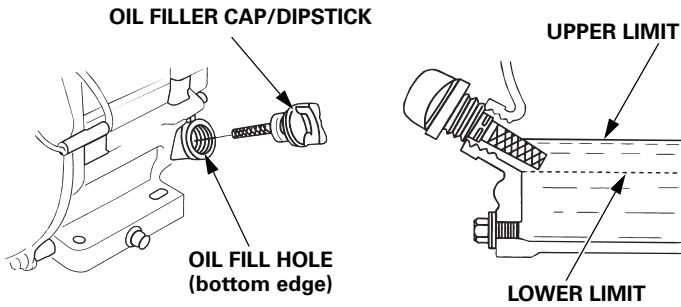
SAE 10W-30 is recommended for general use. Other viscosities shown in the chart may be used when the average temperature in your area is within the indicated range.

Wash your hands with soap and water after handling used oil.

Oil Level Check

Check the engine oil level with the engine stopped and in a level position.

1. Remove the oil filler cap/dipstick and wipe it clean.
2. Insert the oil filler cap/dipstick into the oil filler neck as shown, but do not screw it in, then remove it to check the oil level.
3. If the oil level is near or below the lower limit mark on the dipstick, fill with the recommended oil (see page 7) to the upper limit mark (bottom edge of the oil fill hole). Do not overfill.
4. Reinstall the oil filler cap/dipstick.



NOTICE

Running the engine with a low oil level can cause engine damage. This type of damage is not covered under the Warranty.

The Oil Alert system (applicable types) will automatically stop the engine before the oil level falls below the safe limit. However, to avoid the inconvenience of an unexpected shutdown, always check the engine oil level before startup.

Oil Change

Drain the used oil when the engine is warm. Warm oil drains quickly and completely.

1. Place a suitable container below the engine to catch the used oil, then remove the oil filler cap/dipstick, oil drain plug and washer.
2. Allow the used oil to drain completely, then reinstall the oil drain plug and a new sealing washer, and tighten the oil drain plug securely.
3. With the engine in a level position, fill with the recommended oil (see page 7) to the upper limit mark (bottom edge of the oil fill hole) on the dipstick.

Engine oil capacity: GP160 : 0.58 L (0.51 Imp qt)
GP200 : 0.6 L (0.5 Imp qt)

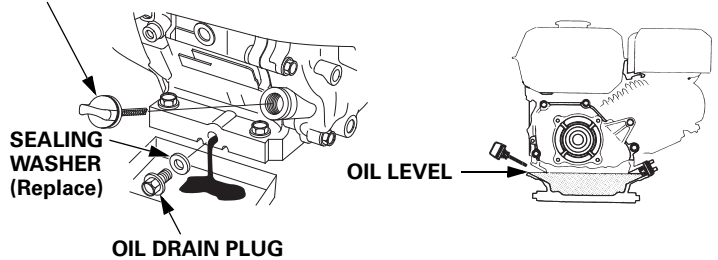
NOTICE

Running the engine with a low oil level can cause engine damage. This type of damage is not covered under the Warranty.

The Oil Alert system (applicable types) will automatically stop the engine before the oil level falls below the safe limit. However, to avoid the inconvenience of an unexpected shutdown, fill to the upper limit, and check the oil level regularly.

4. Install the oil filler cap/dipstick and tighten securely.

OIL FILLER CAP/DIPSTICK



Wash your hands with soap and water after handling used oil.

NOTICE

Please dispose of used motor oil in a manner that is compatible with the environment. We suggest you take it in a sealed container to your local service station for reclamation. Do not throw it in the trash, pour it on the ground, or pour it down a drain.

AIR CLEANER

A dirty air cleaner will restrict air flow to the carburetor, reducing engine performance. If you operate the engine in very dusty areas, clean the air filter more often than specified in the *MAINTENANCE SCHEDULE* (see page 6).

NOTICE

Operating the engine without an air filter, or with a damaged air filter, will allow dirt to enter the engine, causing rapid engine wear. This type of damage is not covered under the Warranty.

Inspection

Remove the air cleaner cover and inspect the filter elements. Clean or replace dirty filter elements. Always replace damaged filter elements. If equipped with an oil-bath air cleaner, also check the oil level.

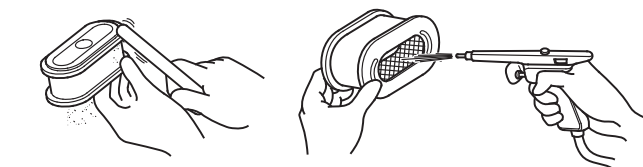
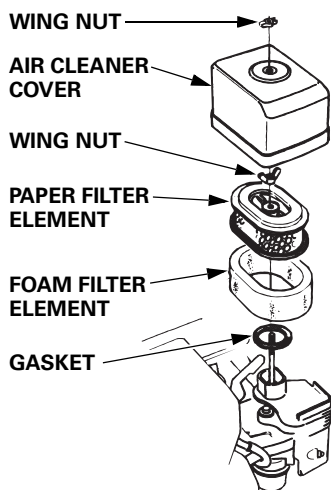
Refer to pages 9–10 for instructions that apply to the air cleaner and filter for your engine type.

Cleaning

[Dual-Filter Element Types]

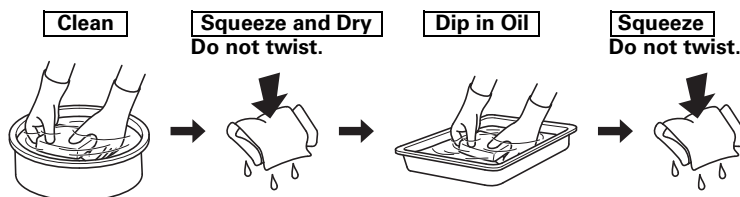
1. Remove the wing nut from the air cleaner cover, and remove the cover.
2. Remove the wing nut from the air filter, and remove the filter elements.
3. Remove the foam filter element from the paper filter element.
4. Inspect both filter elements, and replace them if they are damaged. Always replace the paper filter element at the scheduled interval (see page 6).
5. Clean the air filter elements if they are to be reused.

STANDARD DUAL-FILTER ELEMENT TYPE



Paper filter element: Tap the filter element several times on a hard surface to remove dirt, or blow compressed air [not exceeding 207 kPa (2.1 kgf/cm²)] through the filter element from the inside. Never try to brush off dirt; brushing will force dirt into the fibers.

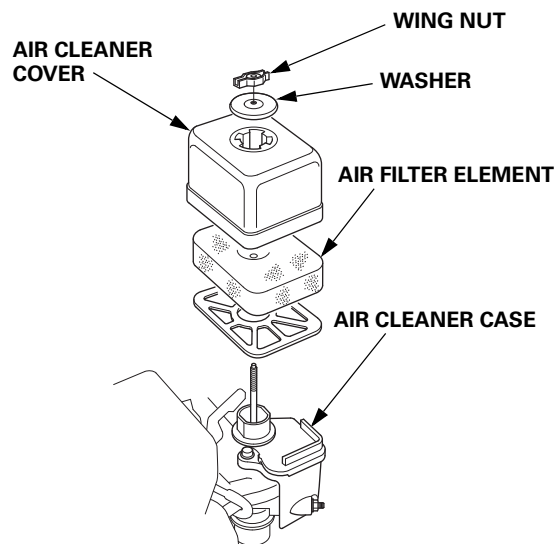
Foam filter element: Clean in warm soapy water, rinse, and allow to dry thoroughly. Or clean in non-flammable solvent and allow to dry. Dip the filter element in clean engine oil, then squeeze out all excess oil. The engine will smoke when started if too much oil is left in the foam.



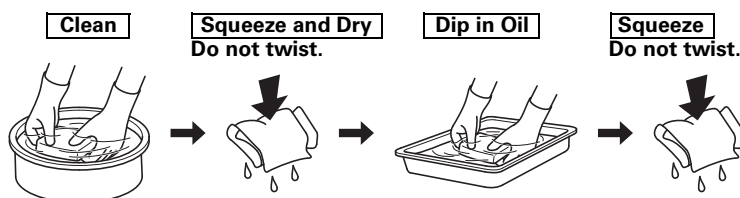
6. Wipe dirt from the inside of the air cleaner case and cover using a moist rag. Be careful to prevent dirt from entering the air duct that leads to the carburetor.
7. Place the foam filter element over the paper element, and reinstall the assembled air filter. Be sure the gasket is in place beneath the air filter. Tighten the air filter wing nut securely.
8. Install the air cleaner cover, and tighten the wing nut securely.

[Semi Dry Element Types]

1. Unscrew the wing nut, remove the washer and the air cleaner cover.
2. Remove the air filter element from the air cleaner case.
3. Inspect the air filter element, and replace it if it is damaged.



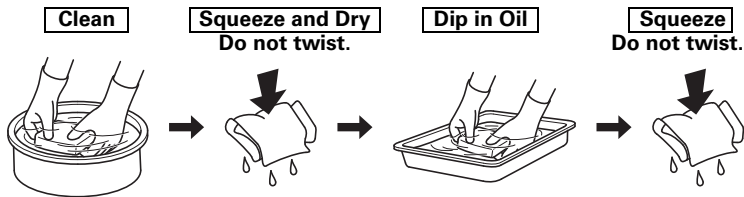
4. Clean the air filter element if it is to be reused.



5. Wipe dirt from the inside of the air cleaner case and cover, using a moist rag. Be careful to prevent dirt from entering the air duct that leads to the carburetor.
6. Install the air filter element to the air cleaner case.
7. Install the air cleaner cover and washer.
8. Screw the wing nut securely.

[Oil-Bath Types]

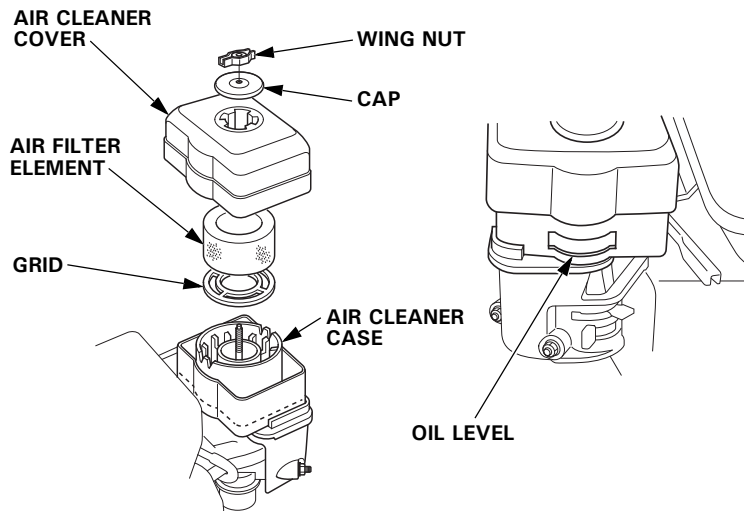
1. Remove the wing nut, and remove the air cleaner cap and cover.
2. Remove the air filter element from the cover. Wash the cover and filter element in warm soapy water, rinse, and allow to dry thoroughly. Or clean in non-flammable solvent and allow to dry.
3. Dip the filter element in clean engine oil, then squeeze out all excess oil. The engine will smoke if too much oil is left in the foam.



4. Empty the used oil from the air cleaner case, wash out any accumulated dirt with non-flammable solvent, and dry the case.
5. Fill the air cleaner case to the OIL LEVEL mark with the same oil that is recommended for the engine (see page 7).

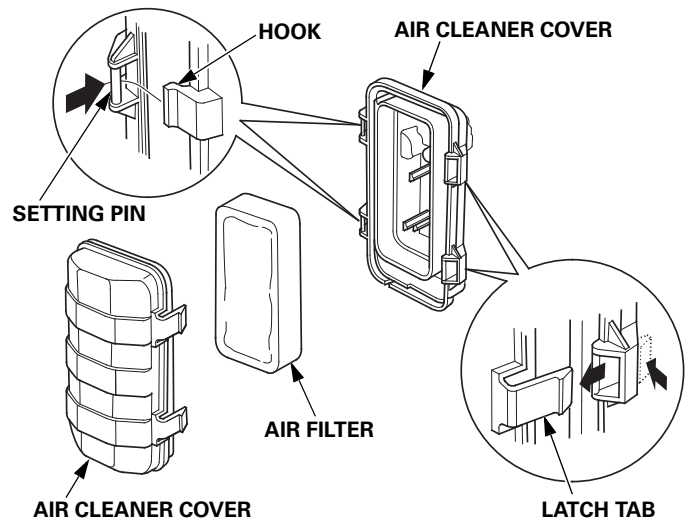
Oil capacity: 60 cm³ (2.1 Imp oz)

6. Reassemble the air cleaner, and tighten the wing nut securely.

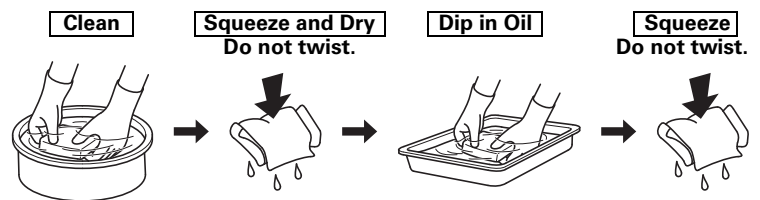


[Low Profile Types]

1. Push the latch tabs and open the air cleaner cover.
2. Free the hooks from the setting pins on the air cleaner case and remove the air cleaner cover to the right side of the frame pipe, taking care not to damage the air cleaner cover.
3. Remove the air filter from the air cleaner case.



4. Inspect the air filter element, and replace it if it is damaged. Clean the air filter element if it is to be reused.

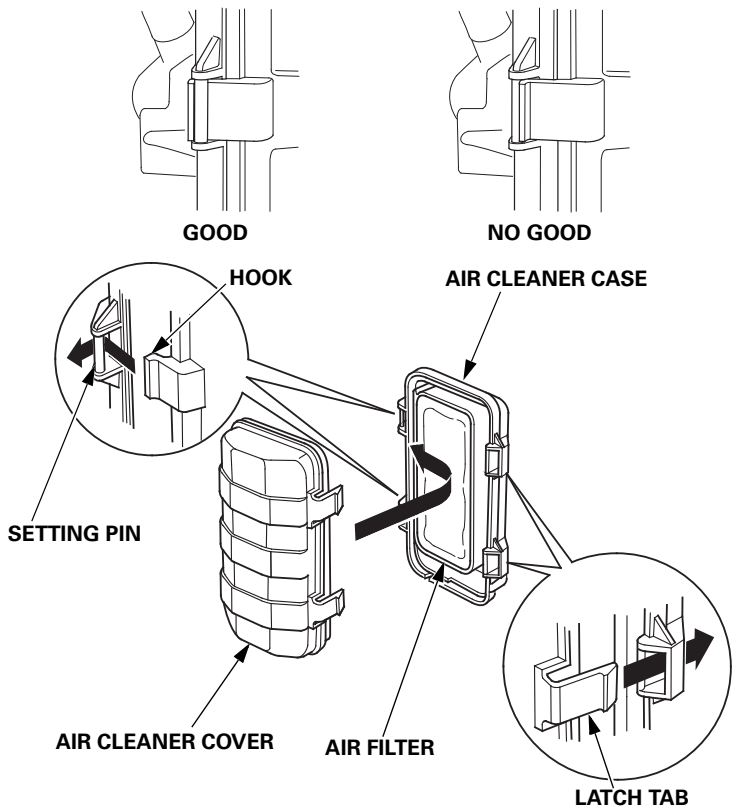


5. Reinstall the air filter in the air cleaner case.

6. Set the hooks of the air cleaner cover to the setting pins securely, then push the air cleaner cover to lock the latch tabs. Be sure that the cover is set securely. There must be no clearance between the air cleaner cover and case.

NOTICE

Operating the engine without an air filter, or with a damaged air filter, will allow dirt to enter the engine, causing rapid engine wear. This type of damage is not covered by the warranty.



SPARK PLUG

Recommended Spark Plug: BPR6ES (NGK)
W20EPR-U (DENSO)

The recommended spark plug has the correct heat range for normal engine operating temperatures.

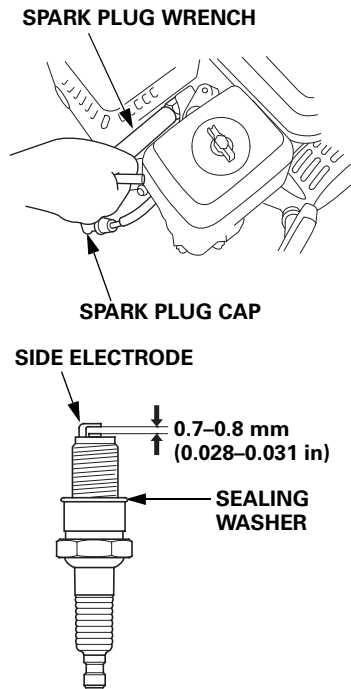
NOTICE

An incorrect spark plug can cause engine damage.

If the engine has been running, let it cool before servicing the spark plug.

For good performance, the spark plug must be properly gapped and free of deposits.

1. Disconnect the spark plug cap, and remove any dirt from around the spark plug area.
2. Remove the spark plug with a 21 mm spark plug wrench.
3. Visually inspect the spark plug. Replace it if damaged or badly fouled, if the sealing washer is in poor condition, or if the electrode is worn.
4. Measure the spark plug electrode gap with a wire-type feeler gauge. Correct the gap, if necessary, by carefully bending the side electrode. The gap should be: 0.7–0.8 mm (0.028–0.031 in)
5. Install the spark plug carefully by hand, to avoid cross-threading.



6. After the spark plug is seated, tighten with a 21 mm spark plug wrench to compress the sealing washer.

When installing a new spark plug, tighten 1/2 turn after the spark plug seats to compress the washer.

When reinstalling the original spark plug, tighten 1/8–1/4 turn after the spark plug seats to compress the washer.

TORQUE: 18 N·m (1.8 kgf·m, 13 lbf·ft)

NOTICE

A loose spark plug can overheat and damage the engine. Overtightening the spark plug can damage the threads in the cylinder head.

7. Attach the spark plug cap to the spark plug.

HELPFUL TIPS & SUGGESTIONS

STORING YOUR ENGINE

Storage Preparation

Proper storage preparation is essential for keeping your engine trouble-free and looking good. The following steps will help to keep rust and corrosion from impairing your engine's function and appearance, and will make the engine easier to start when you use it again.

Cleaning

If the engine has been running, allow it to cool for at least half an hour before cleaning. Clean all exterior surfaces, touch up any damaged paint, and coat other areas that may rust with a light film of oil.

NOTICE

Using a garden hose or pressure washing equipment can force water into the air cleaner or muffler opening. Water in the air cleaner will soak the air filter, and water that passes through the air filter or muffler can enter the cylinder, causing damage.

Fuel

NOTICE

Depending on the region where you operate your equipment, fuel formulations may deteriorate and oxidize rapidly. Fuel deterioration and oxidation can occur in as little as 30 days and may cause damage to the carburetor and/or fuel system. Please check with your servicing dealer for local storage recommendations.

Gasoline will oxidize and deteriorate in storage. Deteriorated gasoline will cause hard starting, and it leaves gum deposits that clog the fuel system. If the gasoline in your engine deteriorates during storage, you may need to have the carburetor and other fuel system components serviced or replaced.

The length of time that gasoline can be left in your fuel tank and carburetor without causing functional problems will vary with such factors as gasoline blend, your storage temperatures, and whether the fuel tank is partially or completely filled. The air in a partially filled fuel tank promotes fuel deterioration. Very warm storage temperatures accelerate fuel deterioration. Fuel deterioration problems may occur within 30 days from keeping the fuel in the fuel tank, or even less if the gasoline was not fresh when you filled the fuel tank.

Fuel system damage or engine performance problems resulting from neglected storage preparation are not covered under the Warranty.

Draining the Fuel Tank and Carburetor

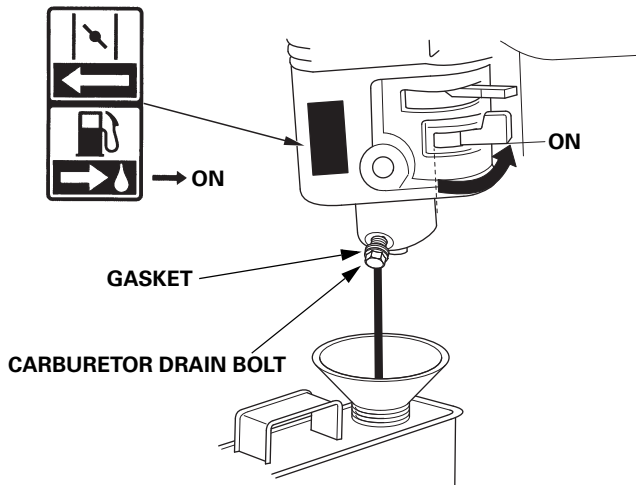
⚠ WARNING

Gasoline is highly flammable and explosive.

You can be burned or seriously injured when handling fuel.

- Stop the engine and keep heat, sparks, and flame away.
- Handle fuel only outdoors.
- Wipe up spills immediately.

1. Move the fuel valve lever to the OFF position (see page 5).
2. Place an approved gasoline container below the carburetor, and use a funnel to avoid spilling fuel.
3. Move the fuel valve lever to the ON position and loosen the carburetor drain bolt by turning 1 to 2 turns counterclockwise.



4. After all fuel has drained, tighten the carburetor drain bolt securely, move the fuel valve to the OFF position.

Engine Oil

1. Change the engine oil (see page 8).
2. Remove the spark plug (see page 11).
3. Pour a teaspoon 5–10 cm³ of clean engine oil into the cylinder.
4. Pull the starter grip several times to distribute the oil in the cylinder.
5. Reinstall the spark plug.
6. Pull the starter grip slowly until resistance is felt and the notch on the starter pulley aligns with the hole at the top of the recoil starter cover. This will close the valves so moisture cannot enter the engine cylinder. Return the starter grip gently.
7. Cover the engine to keep out dust.

Storage Precautions

If your engine will be stored with gasoline in the fuel tank and carburetor, it is important to reduce the hazard of gasoline vapor ignition. Select a well ventilated storage area away from any appliance that operates with a flame, such as a furnace, water heater, or clothes dryer. Also avoid any area with a spark-producing electric motor, or where power tools are operated.

If possible, avoid storage areas with high humidity, because that promotes rust and corrosion.

Keep the engine level in storage. Tilting can cause fuel or oil leakage.

With the engine and exhaust system cool, cover the engine to keep out dust. A hot engine and exhaust system can ignite or melt some materials. Do not use a plastic sheet as a dust cover. A nonporous cover will trap moisture around the engine, promoting rust and corrosion.

Removal from Storage

Check your engine as described in the *BEFORE OPERATION CHECKS* section of this manual (see page 3).

If the fuel was drained during storage preparation, fill the tank with fresh gasoline. If you keep a container of gasoline for refueling, be sure it contains only fresh gasoline. Gasoline oxidizes and deteriorates over time, causing hard starting.

If the cylinder was coated with oil during storage preparation, the engine will smoke briefly at startup. This is normal.

TRANSPORTING

If the engine has been running, allow it to cool for at least 15 minutes before loading the engine-powered equipment on the transport vehicle. A hot engine and exhaust system can burn you and can ignite some materials.

Keep the engine level when transporting to reduce the possibility of fuel leakage. Move the fuel valve lever to the OFF position (see page 5).

TAKING CARE OF UNEXPECTED PROBLEMS

ENGINE WILL NOT START

Possible Cause	Correction
Fuel valve OFF.	Move lever to ON position.
Choke open.	Move lever to CLOSED position unless the engine is warm.
Engine switch OFF.	Turn engine switch to ON position.
Engine oil level low (Oil Alert models).	Fill with the recommended oil to the proper level (p. 8).
Out of fuel.	Refuel (p. 7).
Bad fuel; engine stored without treating or draining gasoline, or refueled with bad gasoline.	Drain fuel tank and carburetor (p. 12). Refuel with fresh gasoline (p. 7).
Spark plug faulty, fouled, or improperly gapped.	Gap or replace spark plug (p. 11).
Spark plug wet with fuel (flooded engine).	Dry and reinstall spark plug. Start engine with throttle lever in MAX. position.
Carburetor malfunction, ignition malfunction, valves stuck, etc.	Take engine to your servicing dealer, or refer to shop manual.

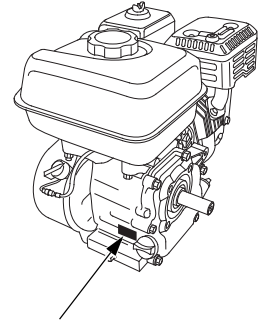
ENGINE LACKS POWER

Possible Cause	Correction
Filter element(s) restricted.	Clean or replace filter element(s) (p. 9–10).
Bad fuel; engine stored without treating or draining gasoline, or refueled with bad gasoline.	Drain fuel tank and carburetor (p. 12). Refuel with fresh gasoline (p. 7).
Carburetor malfunction, ignition malfunction, valves stuck, etc.	Take engine to your servicing dealer, or refer to shop manual.

TECHNICAL INFORMATION

Serial Number Location

Record the engine serial number in the space below. You will need this information when ordering parts and when making technical or warranty inquiries.



SERIAL NUMBER & ENGINE TYPE LOCATION

Engine serial number: _____ — _____

Engine type: _____

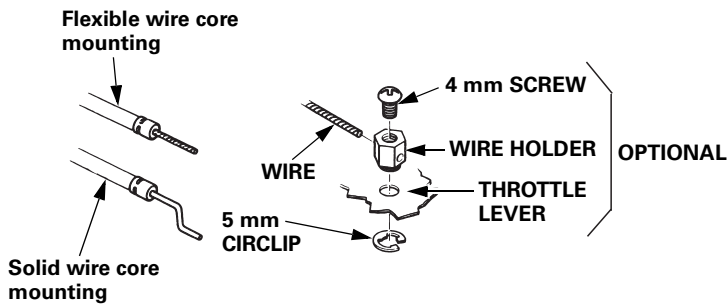
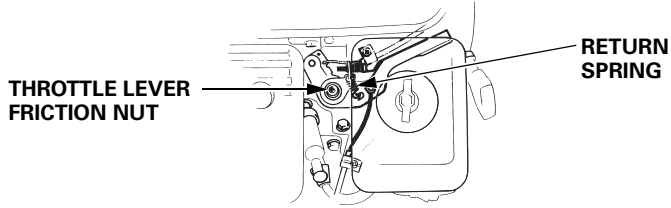
Date Purchased: ____ / ____ / ____

Remote Control Linkage

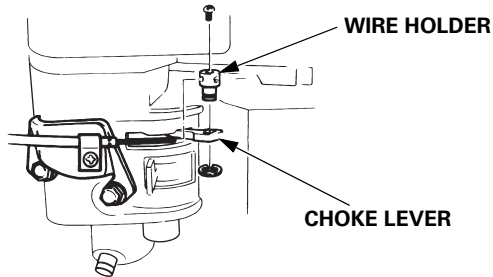
The throttle and choke control levers are provided with holes for optional cable attachment. The following illustrations show installation examples for a solid wire cable and for a flexible, braided wire cable. If using a flexible, braided wire cable, add a return spring as shown.

It is necessary to loosen the throttle lever friction nut when operating the throttle with a remote-mounted control.

REMOTE THROTTLE LINKAGE



REMOTE CHOKE LINKAGE



Carburetor Modifications for High Altitude Operation

At high altitude, the standard carburetor air-fuel mixture will be too rich. Performance will decrease, and fuel consumption will increase. A very rich mixture will also foul the spark plug and cause hard starting. Operation at an altitude that differs from that at which this engine was certified, for extended periods of time, may increase emissions.

High altitude performance can be improved by specific modifications to the carburetor. If you always operate your engine at altitudes above 1,500 meters, have your servicing dealer perform this carburetor modification. This engine, when operated at high altitude with the carburetor modifications for high altitude use, will meet each emission standard throughout its useful life.

Even with carburetor modification, engine horsepower will decrease about 3.5% for each-300 meter increase in altitude. The effect of altitude on horsepower will be greater than this if no carburetor modification is made.

NOTICE

When the carburetor has been modified for high altitude operation, the air-fuel mixture will be too lean for low altitude use. Operation at altitudes below 1,500 meters with a modified carburetor may cause the engine to overheat and result in serious engine damage. For use at low altitudes, have your servicing dealer return the carburetor to original factory specifications.

Specifications

GP160 (PTO shaft type S, with fuel tank)

Length×Width×Height	306×363×335 mm (12.0×14.3 ×13.2 in)
Dry mass [weight]	14.9 kg (32.8 lbs)
Engine type	4-stroke, overhead valve, single cylinder
Displacement [Bore×Stroke]	163 cm ³ (9.9 cu-in) [68.0×45.0 mm (2.7×1.8 in)]
Net power (in accordance with SAE J1349*)	3.6 kW(4.9 PS) at 3,600 rpm
Max. net torque (in accordance with SAE J1349*)	10.3 N·m (1.05 kgf·m, 7.6 lbf·ft) at 2,500 rpm
Engine oil capacity	0.58 L (0.51 Imp qt)
Fuel tank capacity	3.1 L (0.68 Imp gal)
Cooling system	Forced air
Ignition system	Transistor magneto
PTO shaft rotation	Counterclockwise
Operating temperature range	-5°C–40°C

* The power rating of the engine indicated in this document is the net power output tested on a production engine for the engine model and measured in accordance with SAE J1349 at 3,600 rpm (Net Power) and at 2,500 rpm (Max. Net Torque). Mass production engines may vary from this value. Actual power output for the engine installed in the final machine will vary depending on numerous factors, including the operating speed of the engine in application, environmental conditions, maintenance, and other variables.

GP200 (PTO shaft type S, with fuel tank)

Length×Width×Height	315×378×335 mm (12.4×14.9 ×13.2 in)
Dry mass [weight]	16.0 kg (35.3 lbs)
Engine type	4-stroke, overhead valve, single cylinder
Displacement [Bore×Stroke]	196 cm ³ (12.0 cu-in) [68.0×54.0 mm (2.7×2.1 in)]
Net power (in accordance with SAE J1349*)	4.3 kW (5.8 PS) at 3,600 rpm
Max. net torque (in accordance with SAE J1349*)	12.4 N·m (1.26 kgf·m, 9.1 lbf·ft) at 2,500 rpm
Engine oil capacity	0.6 L (0.5 Imp qt)
Fuel tank capacity	3.1 L (0.68 Imp gal)
Cooling system	Forced air
Ignition system	Transistor magneto
PTO shaft rotation	Counterclockwise
Operating temperature range	-5°C–40°C

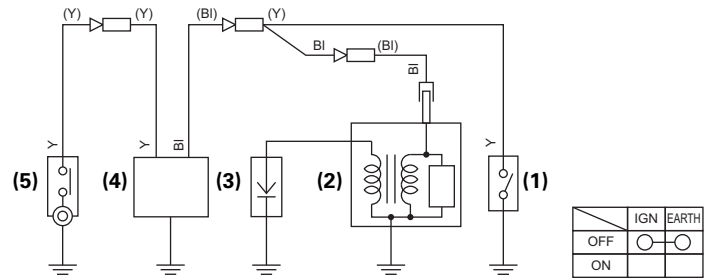
* The power rating of the engine indicated in this document is the net power output tested on a production engine for the engine model and measured in accordance with SAE J1349 at 3,600 rpm (Net Power) and at 2,500 rpm (Max. Net Torque). Mass production engines may vary from this value. Actual power output for the engine installed in the final machine will vary depending on numerous factors, including the operating speed of the engine in application, environmental conditions, maintenance, and other variables.

Tune-up Specifications GP160/200

ITEM	SPECIFICATION	MAINTENANCE
Spark plug gap	0.7–0.8 mm (0.028–0.031 in)	Refer to page: 11
Valve clearance (cold)	IN: 0.15±0.02 mm EX: 0.20±0.02 mm	See your servicing dealer
Other specifications	No other adjustments needed.	

Wiring Diagrams

With Oil Alert



- (1) ENGINE SWITCH
- (2) IGNITION COIL
- (3) SPARK PLUG
- (4) OIL ALERT UNIT
- (5) OIL LEVEL SWITCH

BI	Black	Br	Brown
Y	Yellow	O	Orange
Bu	Blue	Lb	Light blue
G	Green	Lg	Light green
R	Red	P	Pink
W	White	Gr	Gray

CONSUMER INFORMATION

DISTRIBUTOR/DEALER LOCATOR INFORMATION

Visit our website: <http://www.honda-engines-eu.com>

CUSTOMER SERVICE INFORMATION

Servicing dealership personnel are trained professionals. They should be able to answer any question you may have. If you encounter a problem that your dealer does not solve to your satisfaction, please discuss it with the dealership's management. The Service Manager, General Manager, or Owner can help. Almost all problems are solved in this way.

If you are dissatisfied with the decision made by the dealership's management, contact the Honda Office as shown.

<Honda's Office>

When you write or call, please provide this information:

- Equipment manufacturer's name and model number that the engine is mounted on
- Engine model, serial number, and type (see page 13)
- Name of dealer who sold the engine to you
- Name, address, and contact person of the dealer who services your engine
- Date of purchase
- Your name, address and telephone number
- A detailed description of the problem

Honda Motor Europe Logistics NV.

European Engine Center

<http://www.honda-engines-eu.com>

Please contact the Honda distributor in your area for assistance.

INTRODUCTION

Nous vous remercions d'avoir porté votre choix sur un moteur Honda. Nous désirons vous aider à faire le meilleur usage de votre nouveau moteur et à l'utiliser en sécurité. Vous trouverez dans ce manuel des informations sur la manière d'y parvenir; veuillez le lire attentivement avant d'utiliser le moteur. En cas de problème ou pour toute question concernant votre moteur, veuillez vous adresser à votre concessionnaire réparateur.

Toutes les informations de cette publication sont basées sur les dernières informations sur le produit disponibles au moment de l'impression. Honda Motor Co., Ltd. se réserve le droit d'apporter des modifications à tout moment sans préavis et sans obligation de sa part. Aucune partie de ce document ne peut être reproduite sans autorisation écrite.

Ce manuel doit être considéré comme faisant partie du moteur et doit l'accompagner en cas de revente.

Nous vous conseillons de lire le bulletin de garantie afin de bien comprendre l'étendue de la garantie et vos responsabilités en tant que propriétaire.

Pour de plus amples informations sur le démarrage, l'arrêt, l'utilisation et les réglages du moteur ou pour des instructions sur tout entretien spécial, consultez les instructions accompagnant l'équipement commandé par ce moteur.

MESSAGES DE SECURITE

Votre sécurité et celle des autres sont essentielles. Vous trouverez des messages de sécurité importants dans ce manuel et sur le moteur. Veuillez les lire attentivement.

Les messages de sécurité vous avertissent de risques potentiels de blessures pour vous et les autres. Chaque message de sécurité est précédé d'un symbole de mise en garde ⚠ et de l'une des trois mentions DANGER, ATTENTION ou PRECAUTION.

Ces mots-indicateurs signifient :

⚠ DANGER

Le non-respect de ces instructions ENTRAÎNERA des BLESSURES GRAVES, voire MORTELLES.

⚠ ATTENTION

Le non-respect de ces instructions est SUSCEPTIBLE d'entraîner des BLESSURES GRAVES, voire MORTELLES.

⚠ PRECAUTION

Le non-respect de ces instructions est SUSCEPTIBLE d'entraîner des BLESSURES.

Chaque message vous indique quel est le danger, ce qui peut arriver et ce que vous pouvez faire pour éviter ou réduire les blessures.

MESSAGES DE PREVENTION DES DOMMAGES

D'autres messages importants sont précédés du mot REMARQUE.

Cette mention signifie :

REMARQUE

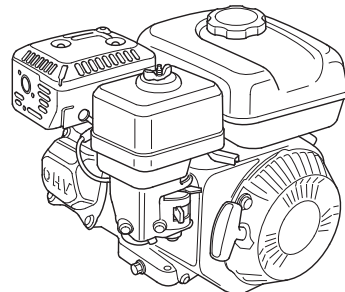
Votre moteur ou d'autres biens peuvent être endommagés si vous ne suivez pas ces instructions.

L'objet de ces messages est de vous aider à ne pas causer de dommages au moteur, à d'autres biens ou à l'environnement.

HONDA

MANUEL DE L'UTILISATEUR

GP160 • GP200



FRANÇAIS

Les illustrations contenues dans ce document sont principalement basées sur le modèle : arbre de prise de force type S, avec réservoir de carburant

- Les illustrations peuvent varier en fonction du type.

SOMMAIRE

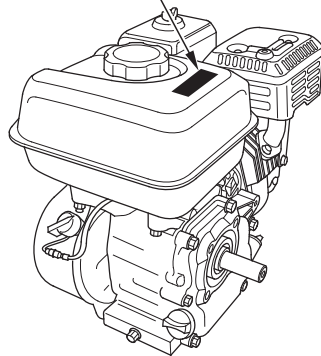
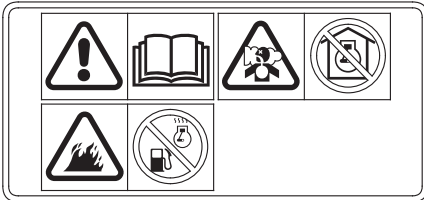
INTRODUCTION.....	1	CONSEILS ET SUGGESTIONS	
MESSAGES DE SECURITE.....	1	UTILITES.....	11
INFORMATIONS DE SECURITE.....	2	REMISAGE DU MOTEUR.....	11
EMPLACEMENT DE		TRANSPORT.....	12
L'ETIQUETTE DE SECURITE.....	2	EN CAS DE PROBLEME	
EMPLACEMENT DES		INATTENDU.....	13
COMPOSANTS ET		INFORMATIONS	
COMMANDES.....	2	TECHNIQUES.....	13
PARTICULARITES.....	3	Emplacement du numéro	
CONTROLES AVANT		de série.....	13
L'UTILISATION.....	3	Tringlerie de commande	
UTILISATION.....	4	à distance.....	14
CONSIGNES DE SECURITE		Modifications du carburateur	
D'UTILISATION.....	4	pour une utilisation à haute	
DEMARRAGE DU MOTEUR.....	4	altitude.....	14
ARRÊT DU MOTEUR.....	5	Spécifications.....	15
REGLAGE DU REGIME		Caractéristiques de mise	
MOTEUR.....	5	au point.....	15
ENTRETIEN DU MOTEUR.....	6	Schémas de câblage.....	15
L'IMPORTANT DE		INFORMATION DU	
L'ENTRETIEN.....	6	CONSOMMATEUR.....	16
SECURITE D'ENTRETIEN.....	6	INFORMATIONS SUR LE	
CONSIGNES DE SECURITE.....	6	LOCALISATEUR DE	
PROGRAMME D'ENTRETIEN.....	6	DISTRIBUTEURS/	
REMPLISSAGE EN		CONCESSIONNAIRES.....	16
CARBURANT.....	7	INFORMATIONS	
HUILE MOTEUR.....	7	D'ENTRETIEN POUR	
Huile recommandée.....	7	LE CLIENT.....	16
Vérification du niveau			
d'huile.....	8		
Renouvellement d'huile.....	8		
FILTRE A AIR.....	9		
Contrôle.....	9		
Nettoyage.....	9		
BOUGIE.....	11		

INFORMATIONS DE SECURITE

- Comprenez bien le fonctionnement de toutes les commandes et apprenez comment arrêter le moteur rapidement en cas d'urgence. Veillez à ce que l'opérateur reçoive des instructions adéquates avant l'utilisation de l'équipement.
- Ne pas autoriser des enfants à utiliser le moteur. Eloigner les enfants et les animaux de la zone d'utilisation.
- Les gaz d'échappement du moteur contiennent du monoxyde de carbone toxique.
Ne pas faire tourner le moteur sans une aération adéquate et ne jamais l'utiliser à l'intérieur.
- Le moteur et les gaz d'échappement deviennent très chauds pendant le fonctionnement.
Garder le moteur à au moins 1 mètre des bâtiments et des autres équipements pendant l'utilisation. Ne pas approcher de matières inflammables et ne rien placer sur le moteur pendant son fonctionnement.

EMPLACEMENT DE L'ETIQUETTE DE SECURITE

Cette étiquette met en garde contre les risques potentiels de blessures graves. Lire attentivement son contenu.
Si l'étiquette se détache ou devient illisible, s'adresser à un concessionnaire réparateur pour obtenir une étiquette de rechange.



L'essence est très inflammable et explosive.
Avant de faire le plein de carburant, arrêter le moteur et le laisser se refroidir.

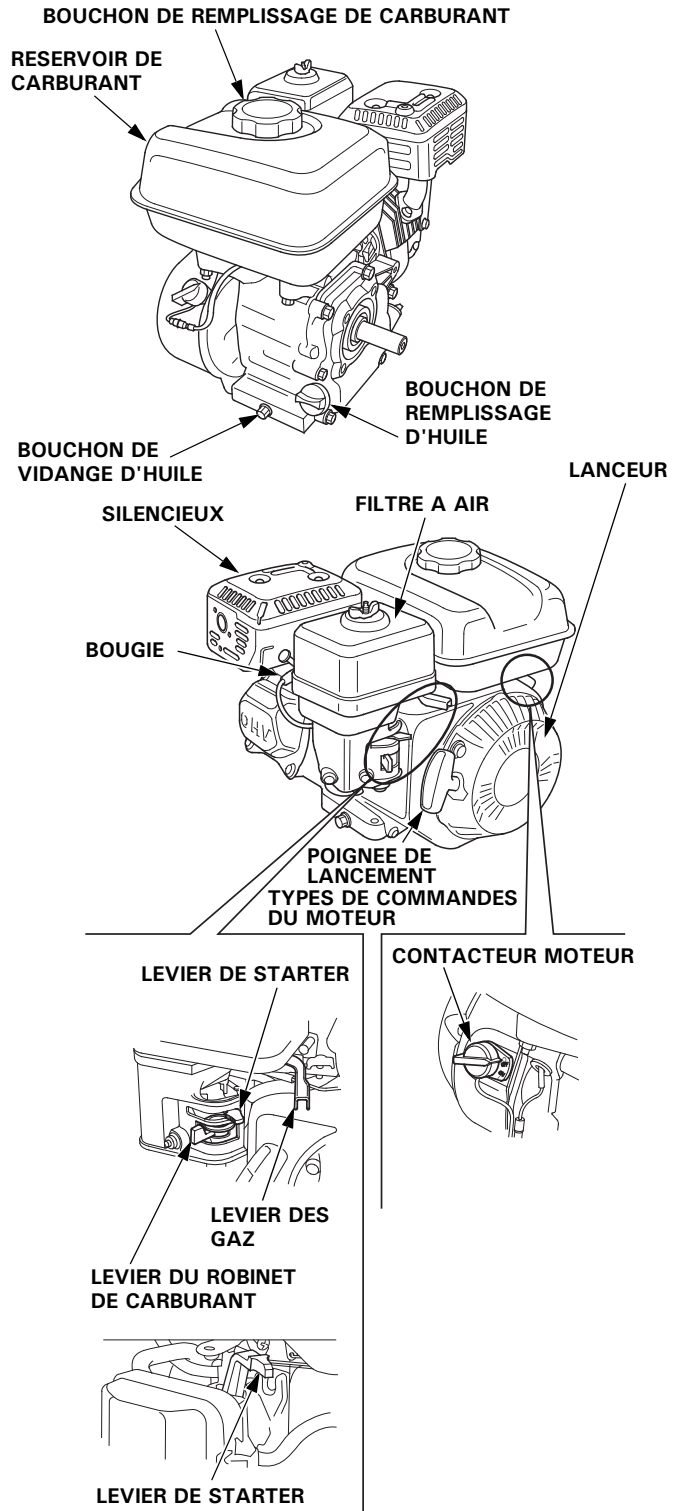


Le moteur dégage du monoxyde de carbone qui est un gaz toxique. Ne jamais le faire fonctionner dans un endroit clos.



Lire le manuel de l'utilisateur avant l'utilisation.

EMPLACEMENT DES COMPOSANTS ET COMMANDES



PARTICULARITES

SYSTEME OIL ALERT (selon type)

Le système Oil Alert protège le moteur contre les dommages dus au manque d'huile dans le carter moteur. Avant que le niveau d'huile dans le carter moteur ne descende sous le seuil de sécurité, le vibreur sonore du système Oil Alert avertit l'utilisateur qu'il est nécessaire de remettre de l'huile.

Si le moteur s'arrête et ne redémarre pas, vérifier le niveau de l'huile moteur (voir page 8) avant de procéder à la recherche d'une autre cause de panne.

CONTROLES AVANT L'UTILISATION

LE MOTEUR EST-IL PRET A FONCTIONNER ?

Pour la sécurité, le respect de la réglementation sur l'environnement et la longévité de l'équipement, il est important de consacrer quelques instants à vérifier l'état du moteur avant l'utilisation. Corriger tout problème constaté ou confier cette opération au concessionnaire avant l'utilisation.

ATTENTION

Un entretien incorrect de ce moteur ou l'absence de correction d'un problème avant l'utilisation peut entraîner un dysfonctionnement important.

Certains dysfonctionnements peuvent entraîner des blessures graves voire un décès.

Toujours effectuer les contrôles avant l'utilisation avant chaque utilisation et corriger tout problème.

Avant de commencer les contrôles avant l'utilisation, s'assurer que le moteur est à l'horizontale et que le contacteur moteur se trouve sur la position ARRÊT.

Toujours vérifier les points suivants avant de mettre le moteur en marche :

Vérifier l'état général du moteur

1. Vérifier qu'il n'y a pas de traces de fuites d'huile ou d'essence autour du moteur ou au-dessous.
2. Enlever toute saleté ou débris excessifs, tout particulièrement autour du silencieux et du lanceur.
3. Vérifier qu'il n'y a pas de signes de dommages.
4. S'assurer que tous les protecteurs et couvercles sont en place et que tous les écrous, boulons et vis sont serrés.

Vérifier le moteur

1. Vérifier le niveau de carburant (voir page 7). En démarrant avec un réservoir de carburant plein, on évitera ou on réduira les interruptions de service pour faire le plein.
2. Vérifier le niveau d'huile du moteur (voir page 8). L'utilisation du moteur avec un niveau d'huile trop bas peut l'endommager.

Le système Oil Alert (selon type) arrête automatiquement le moteur avant que le niveau d'huile ne descende au-dessous du seuil de sécurité. Toutefois, pour éviter l'inconvénient d'un arrêt imprévu, toujours vérifier le niveau d'huile du moteur avant le démarrage.

3. Vérifier l'élément de filtre à air (voir page 9). Un élément de filtre à air sale limite le passage d'air vers le carburateur, ce qui diminue les performances du moteur.
4. Vérifier l'équipement commandé par ce moteur.

Pour les précautions et procédures à observer avant le démarrage du moteur, consulter les instructions accompagnant l'équipement commandé par ce moteur.

UTILISATION

CONSIGNES DE SECURITE D'UTILISATION

Avant d'utiliser le moteur pour la première fois, lire la section *INFORMATIONS DE SECURITE* à la page 2 et la section *CONTROLES AVANT L'UTILISATION* à la page 3.

Par sécurité, ne pas faire fonctionner le moteur dans un endroit clos tel qu'un garage. Les gaz d'échappement du moteur contiennent du monoxyde de carbone, un gaz toxique qui peut s'accumuler rapidement dans un endroit clos et provoquer une intoxication ou la mort.

⚠ ATTENTION

Les gaz d'échappement contiennent du monoxyde de carbone, un gaz toxique qui peut s'accumuler à des niveaux dangereux dans des endroits clos.

L'inhalation de monoxyde de carbone peut provoquer des évanouissements ou la mort.

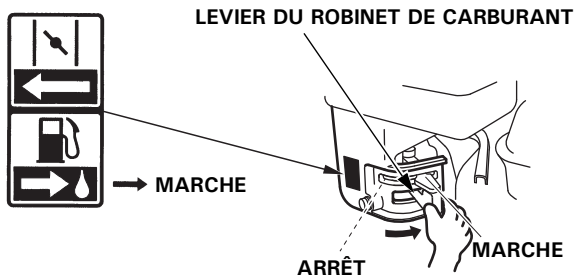
Ne jamais faire tourner le moteur de ce produit dans un endroit clos, même partiellement, où il peut y avoir des personnes.

Pour les consignes de sécurité à observer au démarrage, lors de l'arrêt du moteur et pendant l'utilisation, consulter les instructions accompagnant l'équipement commandé par ce moteur.

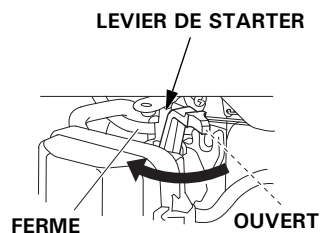
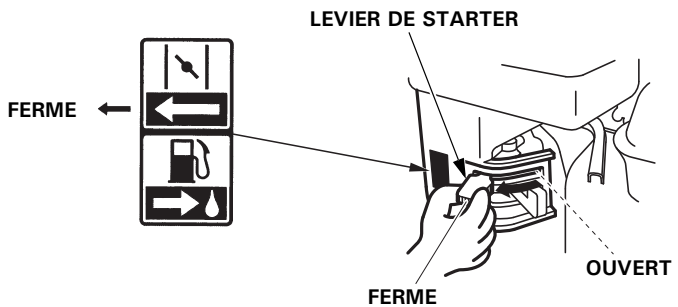
Ne pas faire fonctionner le moteur sur des pentes de plus de 20° (36 %).

DEMARRAGE DU MOTEUR

1. Placer le levier du robinet de carburant sur la position MARCHE.



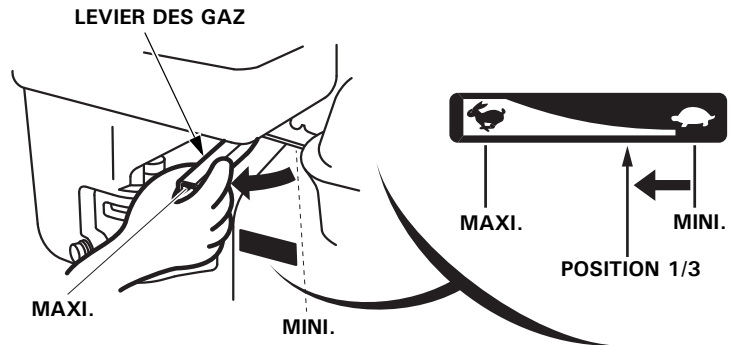
2. Pour mettre en marche un moteur froid, placer le levier de starter ou la tirette de starter (selon type) sur la position FERME.



Pour remettre en marche un moteur chaud, laisser le levier de starter ou la tirette de starter sur la position OUVERT.

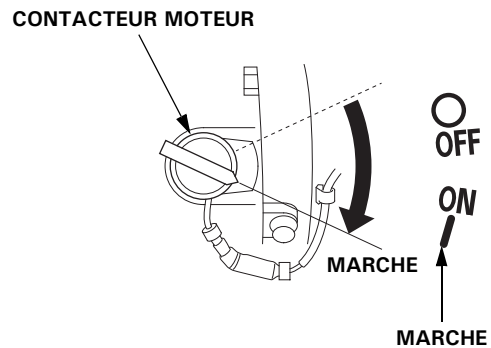
Certaines applications du moteur utilisent une commande à distance de starter plutôt que le levier de starter du moteur représenté ici. Consulter les instructions fournies par le fabricant de l'équipement.

3. Déplacer le levier des gaz de la position MINI. jusqu'à 1/3 environ vers la position MAXI.



Certaines applications du moteur utilisent une commande à distance des gaz plutôt que le levier des gaz du moteur représenté ici. Consulter les instructions fournies par le fabricant de l'équipement.

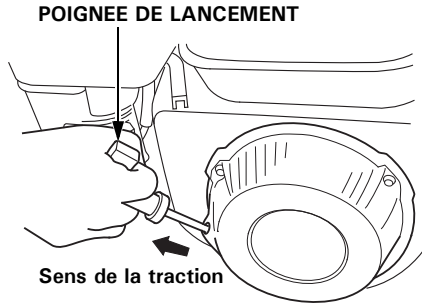
4. Placer le contacteur moteur sur la position MARCHÉ.



5. Actionner le démarreur.

LANCEUR

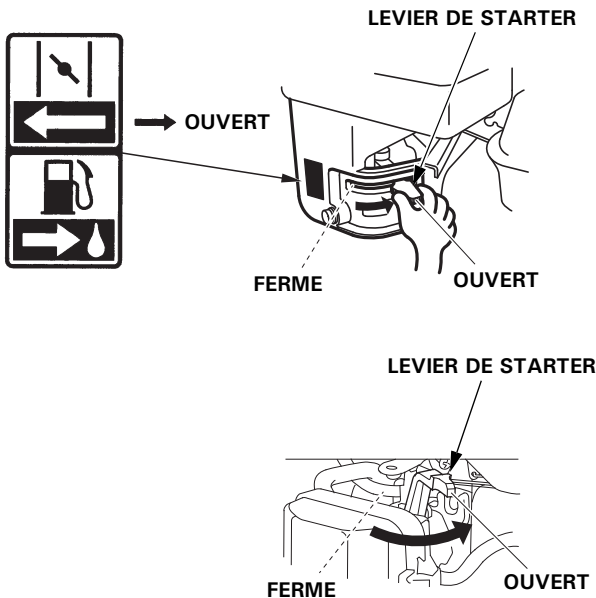
Tirer doucement la poignée de lancement jusqu'à ce que l'on ressente une résistance, puis la tirer d'un coup sec dans le sens de la flèche comme sur la figure ci-dessous. Ramener doucement la poignée de lancement en arrière.



REMARQUE

*Ne pas laisser la poignée de lancement revenir brutalement contre le moteur.
La ramener lentement pour éviter tout dommage du démarreur.*

6. Si l'on a placé le levier de starter ou la tirette de starter (selon type) sur la position FERME pour mettre le moteur en marche, les ramener progressivement sur la position OUVERT à mesure que le moteur chauffe.

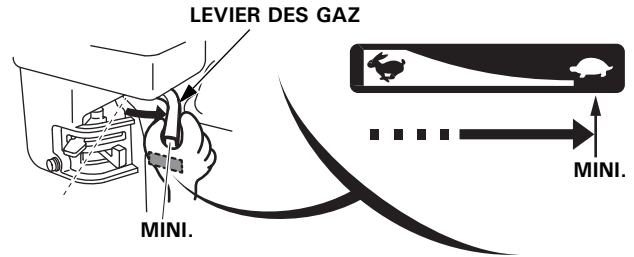


ARRÊT DU MOTEUR

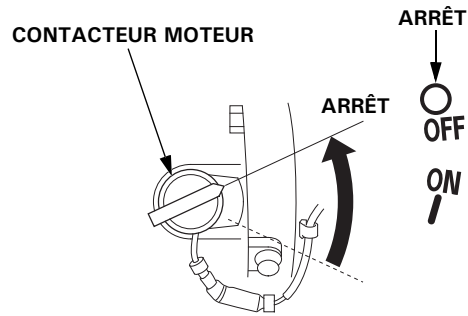
Pour arrêter le moteur en cas d'urgence, placer simplement le contacteur moteur sur la position ARRÊT. Dans des conditions normales, procéder comme il est indiqué ci-dessous. Consulter les instructions fournies par le fabricant de l'équipement.

1. Placer le levier des gaz à fond sur la position MINI.

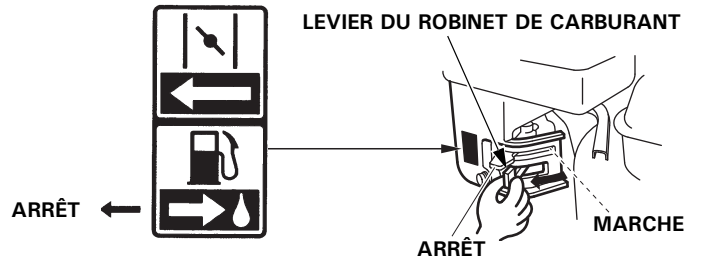
Certaines applications du moteur utilisent une commande à distance des gaz plutôt que le levier des gaz du moteur représenté ici.



2. Placer le contacteur moteur sur la position ARRÊT.



3. Placer le levier du robinet de carburant sur la position ARRÊT.

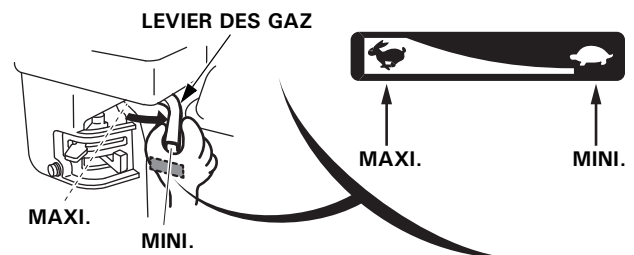


REGLAGE DU REGIME MOTEUR

Placer le levier des gaz sur la position correspondant au régime moteur désiré.

Certaines applications du moteur utilisent une commande à distance des gaz plutôt que le levier des gaz du moteur représenté ici. Consulter les instructions fournies par le fabricant de l'équipement.

Pour les recommandations de régime moteur, consulter les instructions accompagnant l'équipement commandé par ce moteur.



ENTRETIEN DU MOTEUR

L'IMPORTANCE DE L'ENTRETIEN

Un bon entretien est essentiel pour un fonctionnement sûr, économique et sans problème. Il contribue également à réduire la pollution.

⚠ ATTENTION

Un entretien incorrect de ce moteur ou l'absence de correction d'un problème avant l'utilisation peut entraîner un dysfonctionnement important.

Certains dysfonctionnements peuvent entraîner des blessures graves voire un décès.

Toujours observer les recommandations et programmes de contrôle et d'entretien figurant dans ce manuel.

Pour permettre d'entretenir correctement le moteur, on trouvera aux pages suivantes un programme d'entretien, des procédures de contrôle de routine et des procédures d'entretien simples pouvant être effectuées avec des outils à main de base. D'autres opérations d'entretien plus difficiles ou demandant des outils spéciaux seront mieux exécutées par des professionnels et devront normalement être confiées à un technicien Honda ou à un autre mécanicien qualifié.

Le programme d'entretien s'applique à des conditions d'utilisation normales. Si l'on utilise le moteur dans des conditions sévères telles qu'un fonctionnement prolongé sous une charge élevée ou par haute température, ou dans des conditions anormalement humides ou poussiéreuses, demander au concessionnaire réparateur des recommandations pour des besoins et un usage particuliers.

N'utiliser que des pièces d'origine Honda ou leur équivalent. L'utilisation de pièces de rechange de qualité non équivalente peut entraîner une détérioration du moteur.

SECURITE D'ENTRETIEN

Certaines des consignes de sécurité les plus importantes sont indiquées ci-dessous. Il ne nous est toutefois pas possible de vous avertir de tous les dangers imaginables que vous pouvez courir en exécutant l'entretien. Vous êtes seul juge de décider si vous devez ou non effectuer un travail donné.

⚠ ATTENTION

Un entretien incorrect peut entraîner des problèmes de sécurité.

En n'observant pas correctement les instructions et précautions d'entretien, on s'expose à de graves blessures ou à un danger de mort.

Toujours observer les procédures et précautions de ce manuel.

CONSIGNES DE SECURITE

- Avant de commencer un entretien ou une réparation, s'assurer que le moteur est arrêté. Déconnecter le capuchon de bougie pour ne pas risquer un démarrage involontaire. Ceci éliminera plusieurs risques potentiels :

- **Empoisonnement par le monoxyde de carbone contenu dans les gaz d'échappement du moteur.**

Procéder à l'extérieur, à bonne distance des fenêtres ou portes ouvertes.

- **Brûlures par des pièces chaudes.**

Attendre que le moteur et le système d'échappement se soient refroidis avant de les toucher.

- **Blessure par des pièces mobiles.**

Ne faire tourner le moteur que si cela est indiqué dans les instructions.

- Lire les instructions avant de commencer et s'assurer que l'on dispose de l'outillage et des compétences nécessaires.

- Pour diminuer les risques d'incendie ou d'explosion, être prudent lorsqu'on travaille à proximité de l'essence. Pour nettoyer les pièces, n'utiliser que des solvants ininflammables et non de l'essence. Ne pas approcher de cigarettes, étincelles ou flammes des pièces du système d'alimentation en carburant.

Ne pas oublier que c'est le concessionnaire Honda agréé qui connaît le mieux le moteur et qu'il est parfaitement outillé pour son entretien et sa réparation.

Pour garantir la meilleure qualité et la meilleure fiabilité, n'utiliser que des pièces Honda authentiques neuves ou leur équivalent pour la réparation et le remplacement.

PROGRAMME D'ENTRETIEN

PERIODICITE D'ENTRETIEN (1) Exécuter l'entretien selon la périodicité indiquée en mois ou en heures de fonctionnement, à la première des deux échéances.		A chaque utilisation	Premier mois ou 20 h	Tous les 3 mois ou 50 h	Tous les 6 mois ou 100 h	Tous les ans ou 300 h	Se reporter à la page	
POSTE								
Huile moteur	Contrôle du niveau	o					8	
	Renouvellement		o		o		8	
Filtre à air	Contrôle	o					9-10	
	Nettoyage			o (2)			9-10	
	Remplacement					o*		
Bougie	Contrôle-réglage				o		11	
	Remplacement					o		
Régime de ralenti	Contrôle-réglage					o (3)	Manuel d'atelier	
Jeu aux soupapes	Contrôle-réglage					o (3)	Manuel d'atelier	
Chambre de combustion	Nettoyage	Toutes les 500 h (3)						Manuel d'atelier
Réservoir de carburant et filtre	Nettoyage				o (3)		Manuel d'atelier	
Tuyau de carburant	Contrôle	Tous les 2 ans (Remplacer si nécessaire) (3)						Manuel d'atelier

* Remplacer l'élément de type papier uniquement.

- Pour une utilisation commerciale, consigner le nombre d'heures de service afin de déterminer la périodicité d'entretien appropriée.
- En cas d'utilisation dans des endroits poussiéreux, augmenter la fréquence d'entretien.
- Confier l'entretien de ces points au concessionnaire réparateur à moins de disposer des outils appropriés et d'avoir les compétences requises en mécanique. Pour les procédures d'entretien, consulter le manuel d'atelier Honda.

L'inobservation de ce programme d'entretien peut entraîner des problèmes non couverts par la garantie.

REPLISSAGE EN CARBURANT

Carburant recommandé

Essence sans plomb
Indice d'octane recherche 91 ou plus
Indice d'octane pompe 86 ou plus

Ce moteur est certifié pour fonctionner avec de l'essence sans plomb ayant un indice d'octane recherche d'au moins 91 (ou un indice d'octane pompe d'au moins 86).

Faire le plein dans un endroit bien ventilé, moteur arrêté. Si le moteur vient de tourner, le laisser d'abord se refroidir. Ne jamais faire le plein à l'intérieur d'un bâtiment où les vapeurs d'essence peuvent atteindre des flammes ou des étincelles.

Il est possible d'utiliser une essence sans plomb ne contenant pas plus de 10 % d'éthanol (E10) ou 5 % de méthanol en volume. Le méthanol doit contenir des cosolvants et des inhibiteurs de corrosion. L'utilisation de carburants ayant une teneur en éthanol ou méthanol supérieure à celle indiquée ci-dessus peut occasionner des problèmes de démarrage et/ou performances. Elle peut également endommager les pièces métalliques, en caoutchouc et en plastique du système d'alimentation en carburant. Les dommages au moteur ou problèmes de performance résultant de l'utilisation d'un carburant avec des pourcentages d'éthanol ou méthanol supérieurs à ceux qui sont indiqués ci-dessus ne sont pas couverts par la garantie.

Si l'on ne compte utiliser l'équipement qu'occasionnellement ou par intermittence, consulter la section "Carburant" du chapitre *REMISAGE DU MOTEUR* (voir page 11) qui fournit des informations complémentaires sur la dégradation du carburant.

Ne jamais utiliser de l'essence viciée ou contaminée ou un mélange d'huile/essence. Empêcher la pénétration de saleté ou eau dans le réservoir de carburant.

⚠ ATTENTION

L'essence est très inflammable et explosive et l'on peut se brûler ou se blesser grièvement en faisant le plein.

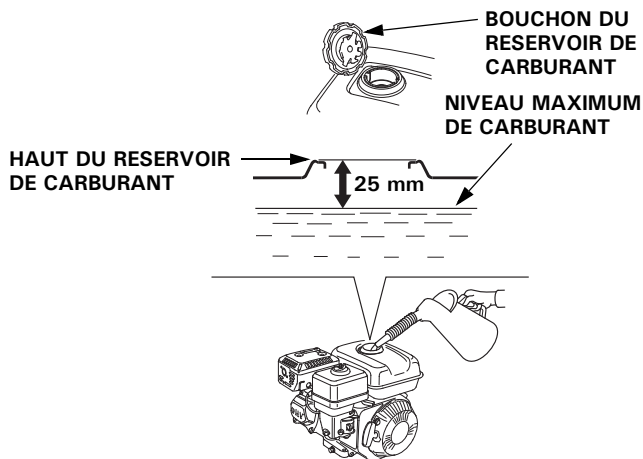
- Avant de faire le plein de carburant, arrêter le moteur et le laisser refroidir.
- Ne pas approcher de sources de chaleur, étincelles ou flammes.
- Ne faire le plein qu'à l'extérieur.
- Essuyer immédiatement tout déversement.

REMARQUE

Le carburant peut endommager la peinture et certains types de plastiques. Veiller à ne pas renverser de carburant lorsqu'on remplit le réservoir. Les dégâts causés par le déversement accidentel de carburant ne sont pas couverts par la garantie.

Pour refaire le plein, consulter les instructions du fabricant fournies avec l'équipement. Pour les instructions sur le plein du réservoir de carburant standard Honda fourni, voir ce qui suit.

1. Avec le moteur arrêté et sur une surface horizontale, retirer le bouchon de remplissage de carburant et vérifier le niveau de carburant. Si le niveau de carburant est bas, remplir le réservoir.
2. Faire l'appoint de carburant jusqu'au niveau maximum du réservoir de carburant. Ne pas remplir le réservoir de carburant complètement. Ne pas trop remplir. Essuyer tout carburant renversé avant de mettre le moteur en marche.



3. Faire le plein avec précaution pour éviter de renverser du carburant. Remplir le réservoir jusqu'à environ 25 mm du haut du réservoir pour permettre la dilatation du carburant. Dans certaines conditions d'utilisation, il peut être nécessaire de baisser le niveau du carburant. Après avoir fait le plein, resserrer le bouchon de remplissage de carburant à fond.

Garder l'essence loin des veilleuses des appareils, barbecues, appareils électriques, outils électriques, etc.

Le carburant renversé ne fait pas seulement courir des risques d'incendie; il est également nuisible pour l'environnement. Essuyer immédiatement tout carburant renversé.

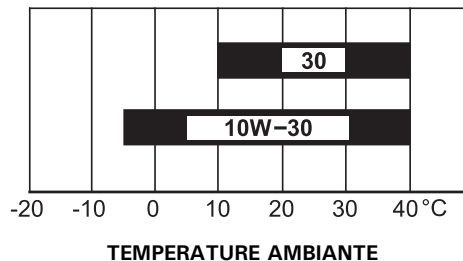
HUILE MOTEUR

L'huile est un facteur déterminant pour la performance et la durée de service.

Utiliser une huile détergente 4 temps pour automobile.

Huile recommandée

Utiliser une huile moteur 4 temps répondant au minimum aux prescriptions pour la catégorie de service API SE ou ultérieure (ou équivalente). Toujours vérifier l'étiquette de service API sur le bidon d'huile pour s'assurer qu'elle porte bien la mention SE ou ultérieure (ou équivalente).



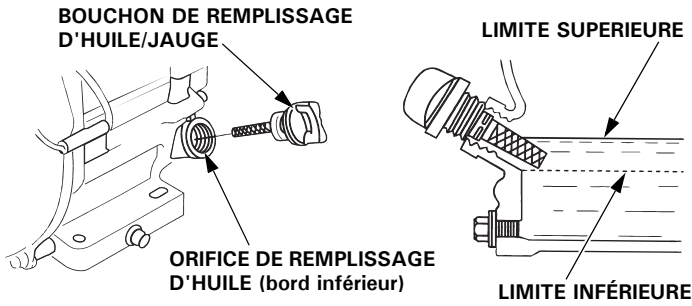
Une huile SAE 10W-30 est recommandée pour l'utilisation générale. Les autres viscosités indiquées dans le tableau peuvent être utilisées lorsque la température moyenne du lieu d'utilisation se trouve dans la plage indiquée.

Se laver les mains à l'eau savonneuse après manipulation de l'huile usagée.

Vérification du niveau d'huile

Vérifier le niveau d'huile du moteur avec le moteur arrêté et à l'horizontale.

1. Retirer le bouchon de remplissage d'huile/jauge et l'essuyer.
2. Introduire le bouchon de remplissage d'huile/jauge dans le goulot de remplissage d'huile comme sur la figure, sans le visser, puis le retirer pour vérifier le niveau d'huile.
3. Si le niveau d'huile est proche du repère de limite minimum de la jauge ou au-dessous, faire l'appoint d'huile recommandée (voir page 7) jusqu'au repère de limite maximum (bord inférieur de l'orifice de remplissage d'huile). Ne pas trop remplir.
4. Remettre le bouchon de remplissage d'huile/jauge en place.



REMARQUE

L'utilisation du moteur avec un niveau d'huile trop bas peut l'endommager. Ce type de dégâts n'est pas couvert par la garantie.

Le système Oil Alert (selon type) arrête automatiquement le moteur avant que le niveau d'huile ne descende au-dessous du seuil de sécurité. Toutefois, pour éviter l'inconvénient d'un arrêt imprévu, toujours vérifier le niveau d'huile du moteur avant le démarrage.

Renouvellement d'huile

Vidanger l'huile usée alors que le moteur est chaud. La vidange s'effectue plus rapidement et plus complètement lorsque l'huile est chaude.

1. Placer un récipient approprié sous le moteur pour recueillir l'huile usée, puis retirer le bouchon de remplissage d'huile/jauge, le bouchon de vidange d'huile et la rondelle.
2. Vidanger complètement l'huile usée, puis remettre le bouchon de vidange d'huile en place avec une rondelle d'étanchéité neuve et le serrer à fond.
3. Moteur à l'horizontale, remplir d'huile recommandée (voir page 7) jusqu'au repère de limite maximum (bord inférieur de l'orifice de remplissage d'huile) de la jauge.

Capacité d'huile moteur : GP160 : 0,58 l
GP200 : 0,6 l

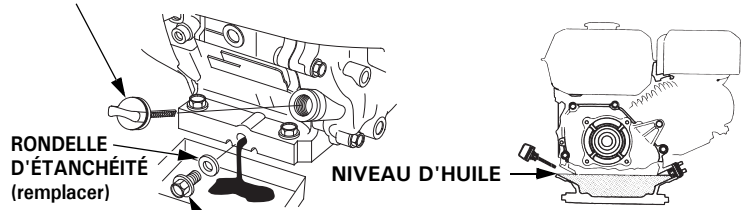
REMARQUE

L'utilisation du moteur avec un niveau d'huile trop bas peut l'endommager. Ce type de dégâts n'est pas couvert par la garantie.

Le système Oil Alert (selon type) arrête automatiquement le moteur avant que le niveau d'huile ne descende au-dessous du seuil de sécurité. Toutefois, pour éviter l'inconvénient d'un arrêt imprévu, remplir jusqu'à la limite maximum et vérifier le niveau régulièrement.

4. Reposer le bouchon de remplissage d'huile/la jauge et le/la serrer à fond.

BOUCHON DE REMPLISSAGE D'HUILE/JAUGE



BOUCHON DE VIDANGE D'HUILE

Se laver les mains à l'eau savonneuse après manipulation de l'huile usagée.

REMARQUE

Se débarrasser de l'huile moteur usée d'une manière compatible avec l'environnement. Nous conseillons de la porter dans un récipient fermé à une station-service locale pour son recyclage. Ne pas la jeter aux ordures ni la déverser dans la terre ou dans un égout.

FILTRE A AIR

Un filtre à air sale restreint le passage d'air vers le carburateur et réduit ainsi les performances du moteur. Si l'on utilise le moteur dans des endroits très poussiéreux, nettoyer le filtre à air plus souvent qu'il n'est indiqué dans le *PROGRAMME D'ENTRETIEN* (voir page 6).

REMARQUE

Faire fonctionner le moteur sans filtre à air ou avec un filtre à air abîmé risque d'encrasser le moteur et de provoquer l'usure rapide du moteur. Ce type de dégâts n'est pas couvert par la garantie.

Contrôle

Déposer le couvercle de filtre à air et contrôler les éléments filtrants. Nettoyer ou remplacer des éléments filtrants sales. Toujours remplacer des éléments filtrants endommagés. Si le moteur est doté d'un filtre à air à bain d'huile, vérifier également le niveau d'huile.

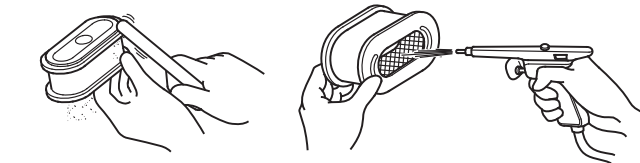
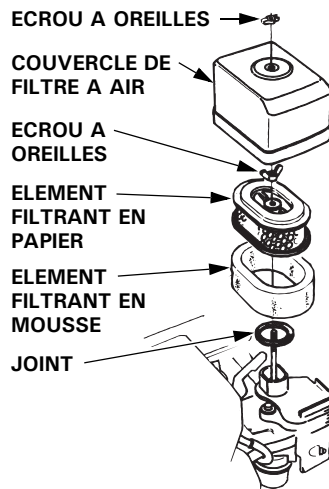
Pour les instructions relatives au filtre à air et à l'élément filtrant pour votre type de moteur, voir pages 9–10.

Nettoyage

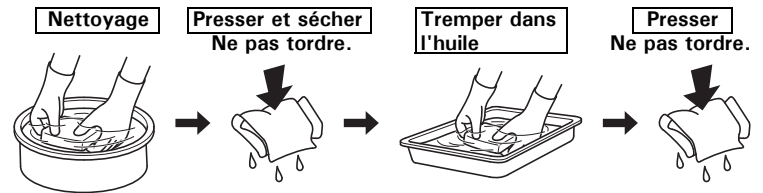
[Types à double élément filtrant]

1. Retirer l'écrou à oreilles du couvercle de filtre à air et déposer le couvercle.
2. Retirer l'écrou à oreilles du filtre à air et déposer les éléments filtrants.
3. Déposer l'élément filtrant en mousse de l'élément filtrant en papier.
4. Contrôler les deux éléments filtrants et les remplacer s'ils sont endommagés. Toujours remplacer l'élément filtrant en papier aux intervalles prévus dans le programme d'entretien (voir page 6).
5. Nettoyer les éléments du filtre à air s'ils doivent être réutilisés.

TYPE STANDARD A DOUBLE ELEMENT FILTRANT



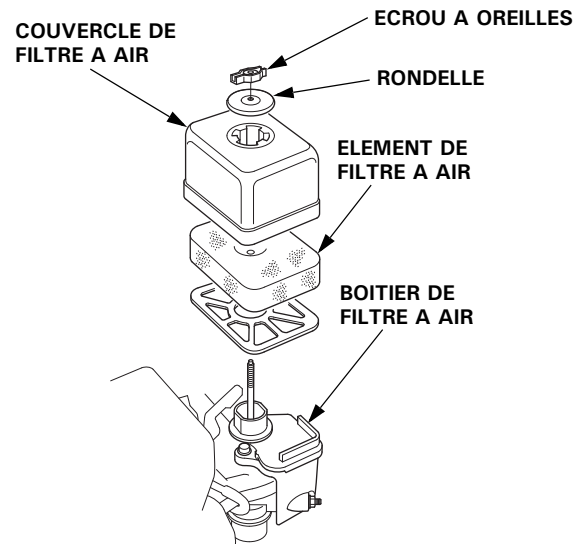
Elément filtrant en mousse : nettoyer l'élément dans de l'eau savonneuse chaude, le rincer et le laisser sécher complètement. On pourra également le nettoyer dans un solvant ininflammable, puis le laisser sécher. Tremper l'élément filtrant dans de l'huile moteur propre, puis en éliminer toute huile en excès. S'il reste trop d'huile dans la mousse, le moteur fumera au démarrage.



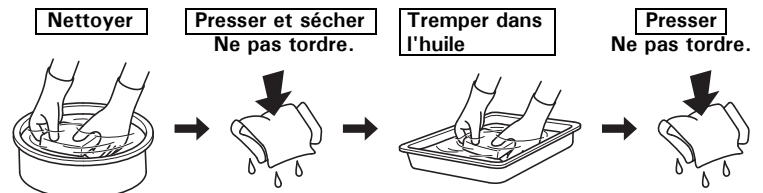
6. Essuyer la saleté à l'intérieur du boîtier et du couvercle de filtre à air à l'aide d'un chiffon humide. Veiller à ce que la saleté ne pénètre pas dans le conduit d'air menant au carburateur.
7. Placer l'élément filtrant en mousse sur l'élément en papier, puis reposer le filtre à air assemblé. S'assurer que le joint est en place sous le filtre à air. Serrer l'écrou à oreilles du filtre à air à fond.
8. Reposer le couvercle de filtre à air et serrer l'écrou à oreilles à fond.

[Types à élément semi sec]

1. Dévisser l'écrou à oreilles, retirer la rondelle et le couvercle du filtre à air.
2. Déposer l'élément de filtre à air du boîtier de filtre à air.
3. Contrôler l'élément de filtre à air et le remplacer s'il est endommagé.



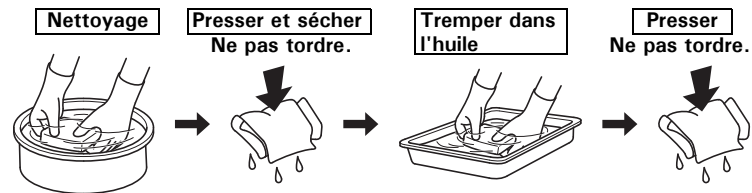
4. Nettoyer l'élément de filtre à air s'il doit être réutilisé.



5. Essuyer la saleté à l'intérieur du boîtier et du couvercle de filtre à air à l'aide d'un chiffon humide. Veiller à ce que la saleté ne pénètre pas dans le conduit d'air menant au carburateur.
6. Reposer l'élément de filtre à air dans le boîtier de filtre à air.
7. Reposer le couvercle de filtre à air et la rondelle.
8. Serrer l'écrou à oreilles à fond.

[Types à bain d'huile]

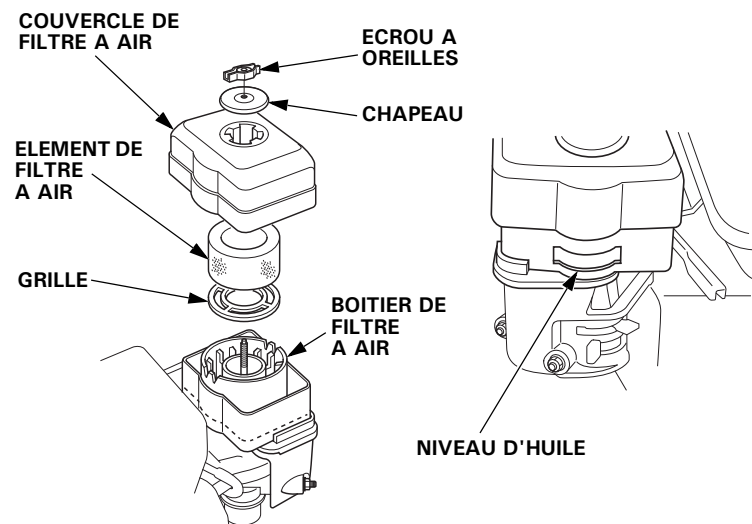
1. Retirer l'écrou à oreilles et déposer le chapeau et le couvercle du filtre à air.
2. Déposer l'élément filtrant du couvercle. Laver le couvercle et l'élément filtrant dans de l'eau savonneuse chaude, les rincer et les laisser sécher complètement. On pourra également le nettoyer dans un solvant ininflammable, puis le laisser sécher.
3. Tremper l'élément filtrant dans de l'huile moteur propre, puis en éliminer toute huile en excès. S'il reste trop d'huile dans la mousse, le moteur fumera.



4. Vider l'huile usée du boîtier de filtre à air et laver toute saleté accumulée avec un solvant ininflammable, puis sécher le boîtier.
5. Remplir le boîtier de filtre à air jusqu'au repère NIVEAU D'HUILE avec la même huile que celle recommandée pour le moteur (voir page 7).

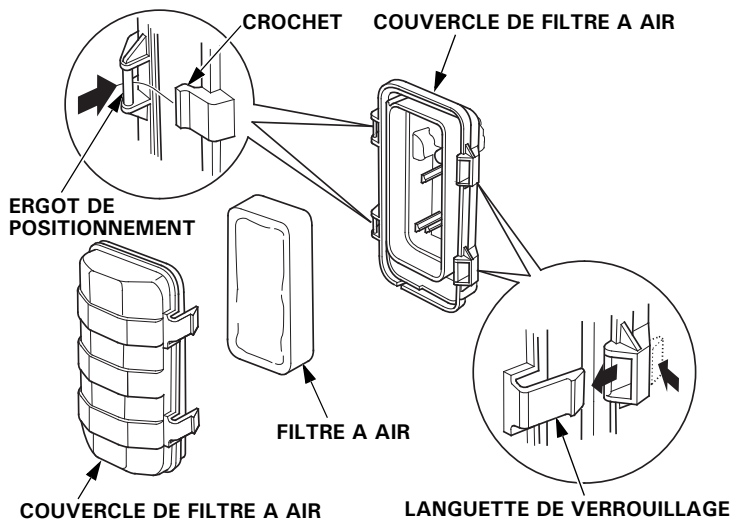
Contenance en huile : 60 cm³

6. Remonter le filtre à air et serrer l'écrou à oreilles à fond.

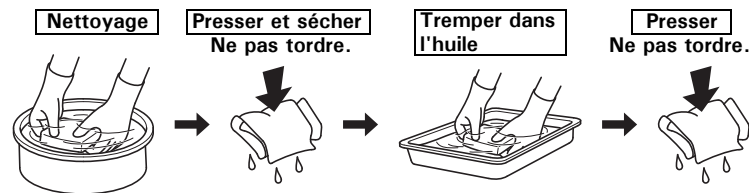


[Types minces]

1. Pousser les languettes de verrouillage et ouvrir le couvercle de filtre à air.
2. Libérer les crochets des ergots de positionnement sur le boîtier de filtre à air et déplacer le couvercle de filtre à air sur le côté droit du tube de bâti en prenant soin de ne pas l'endommager.
3. Déposer le filtre du boîtier de filtre à air.



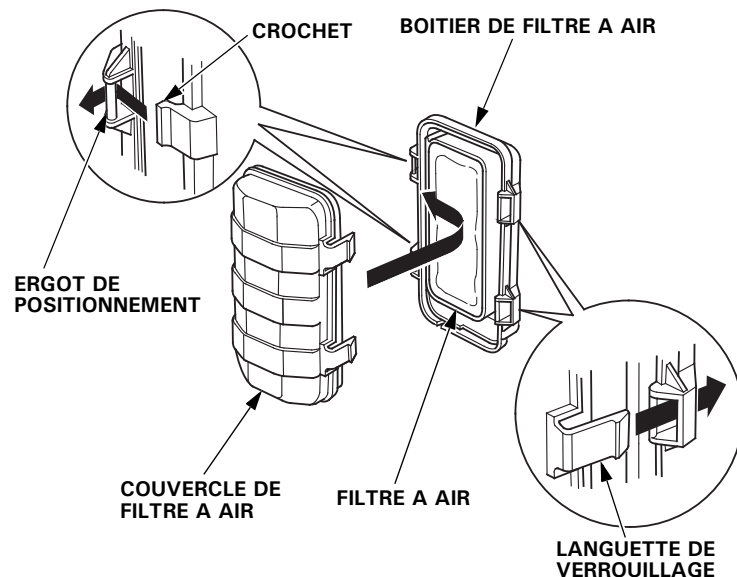
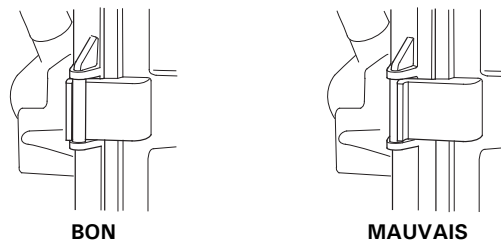
4. Contrôler l'élément de filtre à air et le remplacer s'il est endommagé. Nettoyer l'élément de filtre à air s'il doit être réutilisé.



5. Reposer le filtre à air dans le boîtier de filtre à air.
6. Engager solidement les crochets du couvercle de filtre à air sur les ergots de positionnement, puis pousser le couvercle de filtre à air pour bloquer les languettes de verrouillage. S'assurer que le couvercle est solidement fixé. Il ne doit y avoir aucun jeu entre le couvercle et le boîtier de filtre à air.

REMARQUE

Faire fonctionner le moteur sans filtre à air ou avec un filtre à air abîmé risque d'encrasser le moteur et de provoquer l'usure rapide du moteur. Ce type de dégâts n'est pas couvert par la garantie.



BOUGIE

Bougie recommandée : BPR6ES (NGK)
W20EPR-U (DENSO)

La bougie recommandée possède l'indice thermique correct pour des températures normales de fonctionnement du moteur.

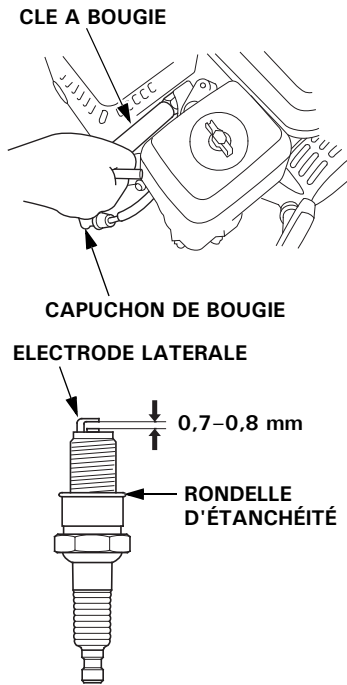
REMARQUE

Une bougie incorrecte peut provoquer des dommages au moteur.

Si le moteur vient de tourner, le laisser se refroidir avant toute intervention sur la bougie.

Pour que les performances soient bonnes, la bougie doit avoir un écartement des électrodes correct et ne pas être encrassée.

1. Déconnecter le capuchon de bougie et nettoyer toute saleté autour de la bougie.
2. Déposer la bougie avec une clé à bougie de 21 mm.
3. Contrôler visuellement la bougie. La remplacer si elle est endommagée ou très encrassée, si sa rondelle d'étanchéité est en mauvais état ou si son électrode est usée.



4. Mesurer l'écartement des électrodes avec un calibre d'épaisseur à fils. Si nécessaire, le corriger en pliant l'électrode latérale. L'écartement des électrodes doit être de : 0,7-0,8 mm
5. Reposer la bougie avec précaution à la main pour éviter de foirer son filetage.
6. Lorsque la bougie a touché son siège, continuer à la serrer avec une clé à bougie de 21 mm pour comprimer la rondelle d'étanchéité.

Si la bougie est neuve, la serrer de 1/2 tour après qu'elle a touché son siège pour comprimer la rondelle.

Si elle a déjà été utilisée, la serrer de 1/8 à 1/4 de tour après qu'elle a touché son siège pour comprimer la rondelle.

COUPLE DE SERRAGE : 18 N·m (1,8 kgf·m, 13 lbf·ft)

REMARQUE

Une bougie insuffisamment serrée peut surchauffer et endommager le moteur.

Un serrage excessif de la bougie peut endommager le filetage dans la culasse.

7. Fixer le capuchon de bougie sur la bougie.

CONSEILS ET SUGGESTIONS UTILES

REMISAGE DU MOTEUR

Préparation au remisage

Une préparation au remisage appropriée est essentielle pour maintenir le moteur en bon état de fonctionnement et lui conserver son bel aspect. Les opérations suivantes contribueront à empêcher que la rouille et la corrosion n'affectent le fonctionnement et l'aspect du moteur et à faciliter le démarrage du moteur lors de sa remise en service.

Nettoyage

Si le moteur vient de tourner, le laisser se refroidir pendant au moins une demi-heure avant le nettoyage. Nettoyer toutes les surfaces extérieures, faire les retouches de peinture nécessaires et enduire toutes les parties susceptibles de rouiller d'une légère couche d'huile.

REMARQUE

L'utilisation d'un tuyau d'arrosage ou d'un dispositif de lavage sous pression peut faire pénétrer de l'eau dans le filtre à air ou dans l'ouverture du silencieux. L'eau dans le filtre à air imbibé alors l'élément filtrant, et l'eau qui traverse l'élément filtrant ou le silencieux peut pénétrer dans le cylindre et causer des dommages.

Carburant

REMARQUE

Selon le lieu d'utilisation de l'équipement, le carburant peut se dégrader et s'oxyder rapidement. La dégradation et l'oxydation du carburant peuvent se produire en seulement 30 jours et provoquer des dommages au carburateur et/ou système d'alimentation en carburant. Pour les recommandations sur le remisage local, se renseigner auprès du concessionnaire.

L'essence s'oxyde et se dégrade lors du remisage. Une essence dégradée rend le démarrage difficile et laisse des dépôts de gomme susceptibles de boucher le système d'alimentation en carburant. Si l'essence dans le moteur se dégrade pendant le remisage, une intervention sur le carburateur et d'autres pièces du système d'alimentation en carburant ou leur remplacement peut être nécessaire.

Le temps que l'essence peut rester dans votre réservoir de carburant et dans le carburateur sans causer de problèmes de fonctionnement peut varier en fonction de facteurs tels que les mélanges d'essence, les températures de stockage, et si le réservoir de carburant est partiellement ou complètement rempli. L'air dans un réservoir de carburant partiellement rempli favorise la dégradation du carburant. Des températures de stockage très élevées accélèrent la détérioration du carburant. Les problèmes de détérioration du carburant peuvent se produire dans une période 30 jours à partir du moment où le carburant se trouve dans le réservoir, ou moins si l'essence n'était pas fraîche lorsque le réservoir a été rempli.

Les dommages du système d'alimentation en carburant ou les problèmes de performances du moteur qui résultent d'une mauvaise préparation au remisage ne sont pas couverts par la garantie.

Vidange du réservoir de carburant et du carburateur

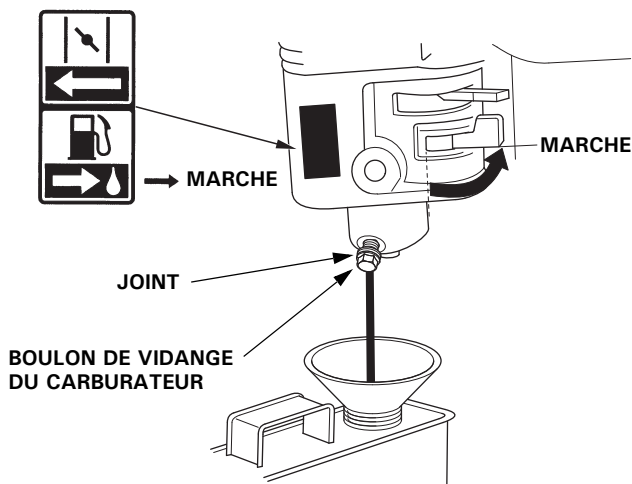
ATTENTION

L'essence est hautement inflammable et explosive.

La manipulation du carburant peut entraîner des brûlures ou des blessures graves.

- Arrêter le moteur et ne pas approcher de sources de chaleur, étincelles ou flammes.
- Ne manipuler le carburant qu'à l'extérieur.
- Essuyer immédiatement tout déversement.

1. Placer le levier de robinet de carburant sur la position ARRÊT (voir page 5).
2. Placer un récipient d'essence agréé sous le carburateur et utiliser un entonnoir pour ne pas renverser de carburant.
3. Placer le levier du robinet de carburant en position MARCHE et desserrer le boulon de vidange du carburateur en lui donnant 1 à 2 tours dans le sens inverse des aiguilles d'une montre.



4. Lorsque tout le carburant s'est écoulé, serrer fermement le boulon de vidange du carburateur et placer le robinet de carburant en position ARRÊT.

Huile moteur

1. Renouveler l'huile moteur (voir page 8).
2. Déposer la bougie (voir page 11).
3. Verser une cuillère à café, soit 5 à 10 cm³, d'huile moteur propre dans le cylindre.
4. Tirer la poignée de lancement à plusieurs reprises pour distribuer l'huile dans le cylindre.
5. Reposer la bougie.
6. Tirer la poignée de lancement lentement jusqu'à ce qu'une résistance soit ressentie et que l'encoche de la poulie de lanceur vienne en regard de l'orifice en haut du couvercle de lanceur. Ceci ferme les soupapes pour empêcher l'humidité de pénétrer dans le cylindre du moteur. Ramener doucement la poignée de lancement en arrière.
7. Couvrir le moteur pour le protéger contre la poussière.

Précautions de remisage

Si l'on remise le moteur avec de l'essence dans le réservoir de carburant et le carburateur, il est important de réduire les risques d'inflammation des vapeurs d'essence. Choisir une zone de remisage bien aérée loin de tout appareil à flamme tel que fourneau, chauffe-eau ou séchoir à linge. Éviter également un endroit où un moteur électrique produisant des étincelles ou des outils électriques sont utilisés.

Éviter dans la mesure du possible des zones de remisage très humides car ceci favorise la rouille et la corrosion.

Garder le moteur à l'horizontale lors du remisage. Une inclinaison peut provoquer des fuites de carburant ou d'huile.

Alors que le moteur et le système d'échappement sont froids, couvrir le moteur pour le protéger contre la poussière. Un moteur ou un système d'échappement chaud peut enflammer ou faire fondre certaines matières. Ne pas utiliser une bâche en plastique pour la protection contre la poussière.

Une bâche non poreuse emprisonne l'humidité autour du moteur et favorise la rouille et la corrosion.

Fin du remisage

Vérifier le moteur comme il est indiqué à la section *CONTROLES AVANT L'UTILISATION* de ce manuel (voir page 3).

Si le carburant a été vidangé lors de la préparation au remisage, remplir le réservoir avec de l'essence fraîche. Si l'on garde un bidon d'essence pour le ravitaillement, veiller à ce qu'il ne contienne que de l'essence fraîche. L'essence s'oxyde et se dégrade avec le temps, ce qui rend le démarrage difficile.

Si le cylindre a été enduit d'huile lors de la préparation au remisage, le moteur fume brièvement au démarrage. Ceci est normal.

TRANSPORT

Si le moteur vient de tourner, le laisser se refroidir pendant au moins 15 minutes avant de charger l'équipement commandé par lui sur le véhicule de transport. Un moteur ou un système d'échappement chaud peut provoquer des brûlures et enflammer certaines matières.

Garder le moteur à l'horizontale lors du transport pour réduire les risques de fuites de carburant. Placer le levier du robinet de carburant sur la position ARRÊT (voir page 5).

EN CAS DE PROBLEME INATTENDU

LE MOTEUR NE DEMARRE PAS

Cause possible	Remède
Robinet de carburant sur ARRÊT.	Placer le levier sur la position MARCHE.
Starter ouvert.	Placer le levier sur la position FERME à moins que le moteur ne soit chaud.
Contacteur moteur sur ARRÊT.	Placer le contacteur moteur sur la position MARCHE.
Niveau d'huile moteur bas (modèles Oil Alert).	Faire l'appoint avec l'huile recommandée jusqu'au niveau voulu (p. 8).
Absence de carburant.	Faire le plein de carburant (p. 7).
Carburant de mauvaise qualité, moteur remisé sans traiter ou vidanger l'essence, ou remplissage avec une essence de mauvaise qualité.	Vidanger le réservoir de carburant et le carburateur (p. 12). Remplir d'essence fraîche (p. 7).
Bougie défectueuse, encrassée ou mauvais écartement des électrodes.	Régler l'écartement ou remplacer la bougie (p. 11).
Bougie noyée par le carburant (moteur noyé).	Sécher puis reposer la bougie. Démarrer le moteur avec le levier des gaz sur la position MAXI.
Dysfonctionnement du carburateur ou de l'allumage, soupapes gommées, etc.	Apporter le moteur au concessionnaire réparateur ou se reporter au manuel d'atelier.

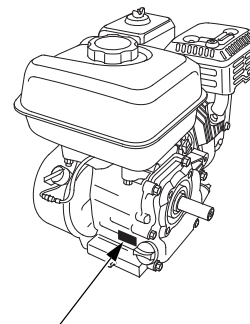
LE MOTEUR MANQUE DE PUISSANCE

Cause possible	Remède
Elément(s) filtrant(s) colmaté(s).	Nettoyer ou remplacer des éléments filtrants colmatés. (p. 9-10).
Carburant de mauvaise qualité, moteur remisé sans traiter ou vidanger l'essence, ou remplissage avec une essence de mauvaise qualité.	Vidanger le réservoir de carburant et le carburateur (p. 12). Remplir d'essence fraîche (p. 7).
Dysfonctionnement du carburateur ou de l'allumage, soupapes gommées, etc.	Apporter le moteur au concessionnaire réparateur ou se reporter au manuel d'atelier.

INFORMATIONS TECHNIQUES

Emplacement du numéro de série

Noter le numéro de série du moteur dans l'espace ci-dessous. Ces informations seront nécessaires pour la commande de pièces et les demandes de renseignements techniques ou de garantie.



EMPLACEMENT DU NUMERO DE SERIE ET DU TYPE DE MOTEUR

Numéro de série du moteur : _____ - _____

Type de moteur : _____

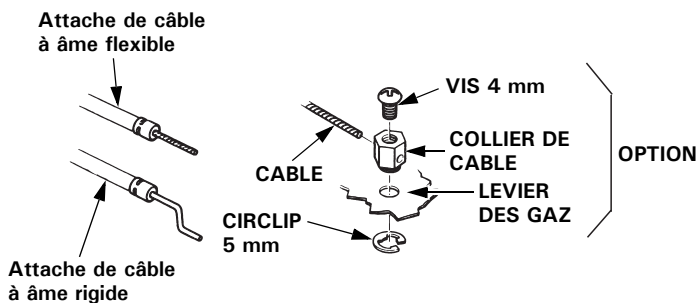
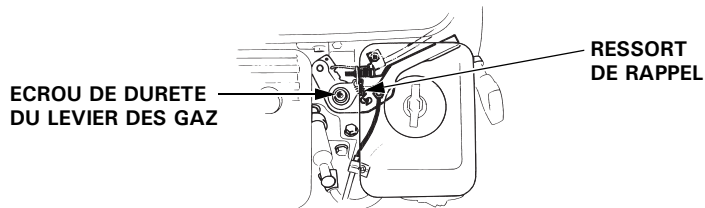
Date d'achat : ____ / ____ / ____

Tringlerie de commande a distance

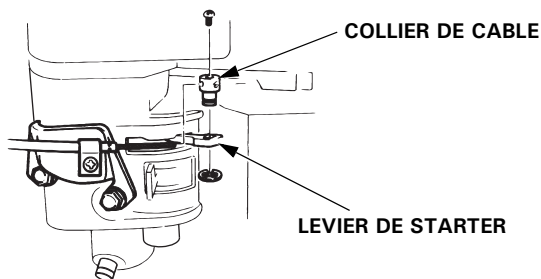
Les leviers des gaz et de starter comportent des orifices pour la fixation d'un câble en option. Les illustrations suivantes présentent des exemples d'installation d'un câble métallique massif et d'un câble métallique tressé flexible. Si l'on utilise un câble métallique tressé flexible, ajouter un ressort de rappel comme sur la figure.

Pour commander les gaz à l'aide d'une commande à distance, desserrer l'écrou de dureté du levier des gaz.

TRINGLERIE DE COMMANDE A DISTANCE DES GAZ



TRINGLERIE DE COMMANDE A DISTANCE DU STARTER



Modifications du carburateur pour une utilisation à haute altitude

En haute altitude, le mélange air-carburant standard du carburateur s'enrichit excessivement. Les performances du moteur diminuent et la consommation de carburant augmente. Un mélange très riche encrasse également la bougie et rend le démarrage difficile. Une utilisation prolongée à des altitudes différentes de celles pour lesquelles ce moteur a été certifié peut entraîner une augmentation des émissions polluantes.

On peut améliorer les performances en haute altitude en effectuant certaines modifications sur le carburateur. Si l'on utilise toujours le moteur à des altitudes supérieures à 1 500 mètres, demander au concessionnaire d'effectuer ces modifications du carburateur. Lors d'une utilisation en haute altitude, le moteur satisfera aux normes antipollution pendant toute sa durée de service si les modifications du carburateur pour une utilisation en haute altitude ont été effectuées.

Même avec un carburateur modifié, la puissance du moteur diminuera d'environ 3,5 % pour chaque augmentation d'altitude de 300 mètres. Si le carburateur n'est pas modifié, l'effet de l'altitude sur la puissance sera encore plus important.

REMARQUE

Lorsque le carburateur a été modifié pour une utilisation à haute altitude, le mélange air-carburant est trop pauvre pour une utilisation à basse altitude. L'utilisation à des altitudes inférieures à 1 500 mètres avec un carburateur modifié peut provoquer une surchauffe du moteur et entraîner d'importants dommages au moteur. Pour une utilisation à basse altitude, faire remettre le carburateur aux spécifications d'usine d'origine par le concessionnaire.

Spécifications

GP160 (arbre de prise de force type S, avec réservoir de carburant)

Longueur × largeur × hauteur	306 × 363 × 335 mm
Masse à sec [poids]	14,9 kg
Type de moteur	4 temps, soupapes en tête, monocylindre
Cylindrée [alésage × course]	163 cm ³ [68,0 × 45,0 mm]
Puissance nette (conformément à la norme SAE J1349*)	3,6 kW (4,9 PS) à 3 600 tr/min
Couple net maxi. (conformément à la norme SAE J1349*)	10,3 N·m (1,05 kgf·m) à 2 500 tr/min
Contenance en huile moteur	0,58 L
Contenance du réservoir de carburant	3,1 L
Refroidissement	Forcé par circulation d'air
Allumage	Magnéto à transistors
Rotation de l'arbre de prise de force	Sens contraire des aiguilles d'une montre
Plage de température de fonctionnement	-5°C–40°C

* La puissance nominale du moteur indiquée dans ce document est la puissance de sortie nette testée sur un moteur de série de ce modèle et mesurée conformément à SAE J1349 à 3 600 tr/min (puissance nette) et à 2 500 tr/min (couple net maxi). Les moteurs produits en série peuvent s'écarter de cette valeur.

La puissance de sortie réelle lorsque le moteur est installé dans la machine finale variera en fonction de plusieurs facteurs, y compris la vitesse de fonctionnement du moteur pendant l'utilisation, les conditions environnementales, la maintenance et autres variables.

GP200 (arbre de prise de force type S, avec réservoir de carburant)

Longueur × largeur × hauteur	315 × 378 × 335 mm
Masse à sec [poids]	16,0 kg
Type de moteur	4 temps, soupapes en tête, monocylindre
Cylindrée [alésage × course]	196 cm ³ [68,0 × 54,0 mm]
Puissance nette (conformément à la norme SAE J1349*)	4,3 kW (5,8 PS) à 3 600 tr/min
Couple net maxi. (conformément à la norme SAE J1349*)	12,4 N·m (1,26 kgf·m) à 2 500 tr/min
Contenance en huile moteur	0,6 L
Contenance du réservoir de carburant	3,1 L
Refroidissement	Forcé par circulation d'air
Allumage	Magnéto à transistors
Rotation de l'arbre de prise de force	Sens contraire des aiguilles d'une montre
Plage de température de fonctionnement	-5°C–40°C

* La puissance nominale du moteur indiquée dans ce document est la puissance de sortie nette testée sur un moteur de série de ce modèle et mesurée conformément à SAE J1349 à 3 600 tr/min (puissance nette) et à 2 500 tr/min (couple net maxi). Les moteurs produits en série peuvent s'écarter de cette valeur.

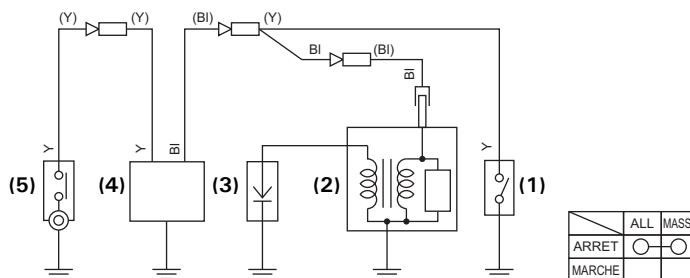
La puissance de sortie réelle lorsque le moteur est installé dans la machine finale variera en fonction de plusieurs facteurs, y compris la vitesse de fonctionnement du moteur pendant l'utilisation, les conditions environnementales, la maintenance et autres variables.

Caractéristiques de mise au point GP160/200

POSTE	SPECIFICATION	ENTRETIEN
Ecartement des électrodes	0,7–0,8 mm	Se reporter à la page : 11
Jeu aux soupapes (à froid)	ADM : 0,15 ± 0,02 mm ECH : 0,20 ± 0,02 mm	Consulter le concessionnaire réparateur
Autres caractéristiques	Aucun autre réglage n'est requis.	

Schémas de câblage

Avec Oil Alert



- (1) CONTACTEUR MOTEUR
- (2) BOBINE D'ALLUMAGE
- (3) BOUGIE
- (4) UNITE OIL ALERT
- (5) CONTACTEUR DE NIVEAU D'HUILE

BI	Noir	Br	Marron
Y	Jaune	O	Orange
Bu	Bleu	Lb	Bleu clair
G	Vert	Lg	Vert clair
R	Rouge	P	Rose
W	Blanc	Gr	Gris

INFORMATION DU CONSOMMATEUR

INFORMATIONS SUR LE LOCALISATEUR DE DISTRIBUTEURS/ CONCESSIONNAIRES

Rendez-vous sur notre site Web : <http://www.honda-engines-eu.com>

INFORMATIONS D'ENTRETIEN POUR LE CLIENT

Le personnel des concessionnaires compte des professionnels qualifiés. Il devrait pouvoir répondre à toutes vos questions. Si le concessionnaire ne résout pas votre problème de manière satisfaisante, adressez-vous à la direction de la concession. Le responsable du service après-vente, le directeur général ou le propriétaire pourra vous aider. Presque tous les problèmes se résolvent de cette manière.

Si vous n'êtes pas satisfait de la décision prise par la direction de la concession, adressez-vous au bureau Honda indiqué.

<Bureau Honda>

Lorsque vous écrivez ou appelez, veuillez fournir les informations suivantes :

- Nom du fabricant et numéro de modèle de l'équipement sur lequel est monté le moteur
- Modèle, numéro de série et type du moteur (voir page 13)
- Nom du concessionnaire vous ayant vendu le moteur
- Nom, adresse et personne à contacter du concessionnaire assurant le service après-vente de votre moteur
- Date d'achat
- Vos nom, adresse et numéro de téléphone
- Description détaillée du problème

Honda Motor Europe Logistics NV.

European Engine Center

<http://www.honda-engines-eu.com>

S'adresser au distributeur Honda local pour toute assistance.

VORWORT

Vielen Dank, dass Sie sich für einen Motor von Honda entschieden haben. Wir möchten Ihnen dabei helfen, die besten Ergebnisse mit Ihrem neuen Motor zu erzielen und ihn sicher zu betreiben. Dieses Handbuch enthält diesbezügliche Informationen; bitte lesen Sie es sorgfältig durch, bevor Sie den Motor in Betrieb nehmen. Wenden Sie sich mit Problemen oder Fragen jederzeit an Ihren Wartungshändler.

Alle Informationen in dieser Veröffentlichung beruhen auf dem zum Zeitpunkt der Drucklegung aktuellen Produktinformationsstand. Honda Motor Co., Ltd. behält sich das Recht vor, jederzeit und ohne Vorankündigung Änderungen vornehmen zu dürfen, ohne hierdurch irgendeine Verpflichtung einzugehen. Kein Teil dieser Veröffentlichung darf ohne schriftliche Genehmigung reproduziert werden.


Dieses Handbuch ist als permanenter Bestandteil des Motors zu betrachten und sollte bei einem Verkauf des Motors dem neuen Besitzer übergeben werden.

Wir raten Ihnen, die Garantie police durchzulesen, um die Garantieleistungen und Ihre Verantwortung als Besitzer voll zu verstehen.


Zusätzliche Informationen bezüglich Starten, Stoppen, Betrieb und Einstellungen des Motors oder spezieller Wartungsanweisungen entnehmen Sie bitte der Gebrauchsanleitung für die Ausrüstung, die durch diesen Motor angetrieben wird.


SICHERHEITSHINWEISE


Ihre Sicherheit und die Sicherheit anderer Personen ist sehr wichtig. Wichtige Sicherheitsangaben finden Sie in diesem Handbuch und am Motor. Bitte lesen Sie diese Angaben aufmerksam.

Eine Sicherheitsangabe weist auf potenzielle Verletzungsgefahren für Sie und andere Personen hin. Jede Sicherheitsangabe ist durch ein Achtungssymbol  und eines der drei Schlüsselwörter **GEFAHR**, **WARNUNG** oder **VORSICHT** gekennzeichnet.

Diese Schlüsselwörter haben die folgenden Bedeutungen:

 GEFAHR Missachtung der Anweisungen FÜHRT ZUM TOD oder zu SCHWEREN VERLETZUNGEN.

 WARNUNG Missachtung der Anweisungen KANN ZUM TOD oder zu SCHWEREN VERLETZUNGEN führen.

 VORSICHT Missachtung der Anweisungen KANN zu VERLETZUNGEN führen.

Jede dieser Angaben gibt Aufschluss über die Art der Gefahr, die möglichen Folgen und die Abhilfemaßnahmen zur Vermeidung oder Verringerung von Verletzungen.

SCHADENVERHÜTUNGSANGABEN

Außerdem enthält das Handbuch andere wichtige Textstellen, die durch das Wort **ACHTUNG** gekennzeichnet sind.

Dieses Wort hat die folgende Bedeutung:

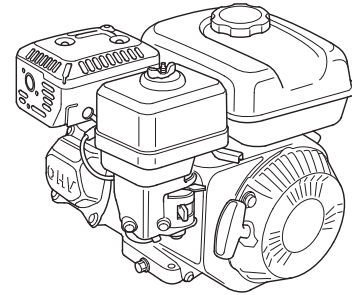
ACHTUNG Bei Nichtbefolgung der Anweisungen besteht die Gefahr einer Beschädigung des Motors oder anderer Sachwerte.

Diese Angaben sollen Ihnen dabei helfen, Schäden am Motor, an anderen Sachwerten und an der Umwelt zu verhüten.

HONDA

BEDIENUNGSANLEITUNG

GP160 • GP200



Die Abbildungen hier beziehen sich hauptsächlich auf: Ausführung S mit Zapfwelle, mit Kraftstofftank

- Die Abbildung kann je nach Typ variieren.

INHALT

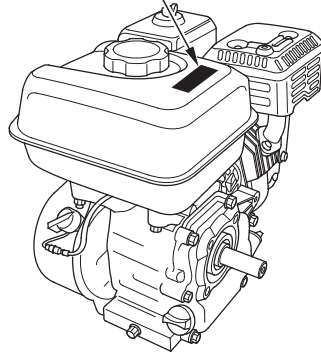
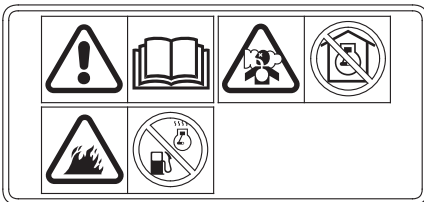
VORWORT	1	NÜTZLICHE TIPPS UND EMPFEHLUNGEN.....	11
SICHERHEITSHINWEISE.....	1	LAGERN DES MOTORS	11
SICHERHEITSINFORMATION	2	TRANSPORT	12
POSITION VON SICHERHEITSPAKETTEN	2	BEHEBUNG UNERWARTETER PROBLEME.....	13
LAGE VON TEILEN UND BEDIENUNGSELEMENTEN	2	TECHNISCHE INFORMATION... ..	13
AUSSTATTUNGSMERKMALE	3	Position der Seriennummer... ..	13
KONTROLLEN VOR DEM BETRIEB.....	3	Fernsteuergestänge	14
BETRIEB.....	4	Vergasermodifikationen für Betrieb in Höhenlagen.....	14
BETRIEB.....	4	Technische Daten	15
VORKEHRUNGEN FÜR SICHEREN BETRIEB.....	4	Einstellwerte	15
STARTEN DES MOTORS.....	4	Schaltschemata	15
STOPPEN DES MOTORS.....	5	VERBRAUCHERINFORMATION	16
MOTORDREHZAHL	5	VERTRIEB-/HÄNDLERSUCHINFORMATION	16
WARTUNG DES MOTORS	6	KUNDENDIENSTINFORMATION	16
DIE BEDEUTSAMKEIT RICHTIGER WARTUNG	6		
SICHERHEIT BEI WARTUNGSARBEITEN	6		
SICHERHEITSVORKEHRUNGEN	6		
WARTUNGSPLAN	6		
TANKEN	7		
MOTORÖL	7		
Empfohlenes Öl	7		
Ölstandkontrolle	8		
Ölwechsel.....	8		
LUFTFILTER	9		
Inspektion.....	9		
Reinigung	9		
ZÜNDKERZE.....	11		

SICHERHEITSINFORMATION

- Machen Sie sich mit der Funktion aller Bedienelemente vertraut, und prägen Sie sich ein, wie der Motor im Notfall schnell abzustellen ist. Stellen Sie sicher, dass die Bedienungsperson vor Benutzung der Ausrüstung ausreichende Anweisungen erhält.
- Kindern ist der Betrieb des Motors zu verbieten. Halten Sie Kinder und Tiere vom Betriebsbereich fern.
- Die Abgase des Motors enthalten giftiges Kohlenmonoxid. Lassen Sie den Motor nicht ohne ausreichende Belüftung und auf keinen Fall in Innenräumen laufen.
- Motor und Auspuff werden während des Betriebs sehr heiß. Halten Sie den Motor bei Betrieb mindestens 1 m von Gebäuden und anderer Ausrüstung fern. Halten Sie leicht entzündliche Materialien fern, und stellen Sie nichts auf den Motor, während er läuft.

POSITION VON SICHERHEITSPAKETTEN

Diese Plakette warnt Sie vor möglichen Gefahren, um ernsthafte Verletzungen vermeiden zu helfen. Bitte sorgfältig durchlesen. Wenn sich der Aufkleber löst oder nur noch schwer zu lesen ist, ziehen Sie zwecks einer Neubestellung Ihren Wartungshändler zu Rate.



Benzin ist äußerst feuergefährlich und explosiv. Vor dem Tanken den Motor abstellen und abkühlen lassen.

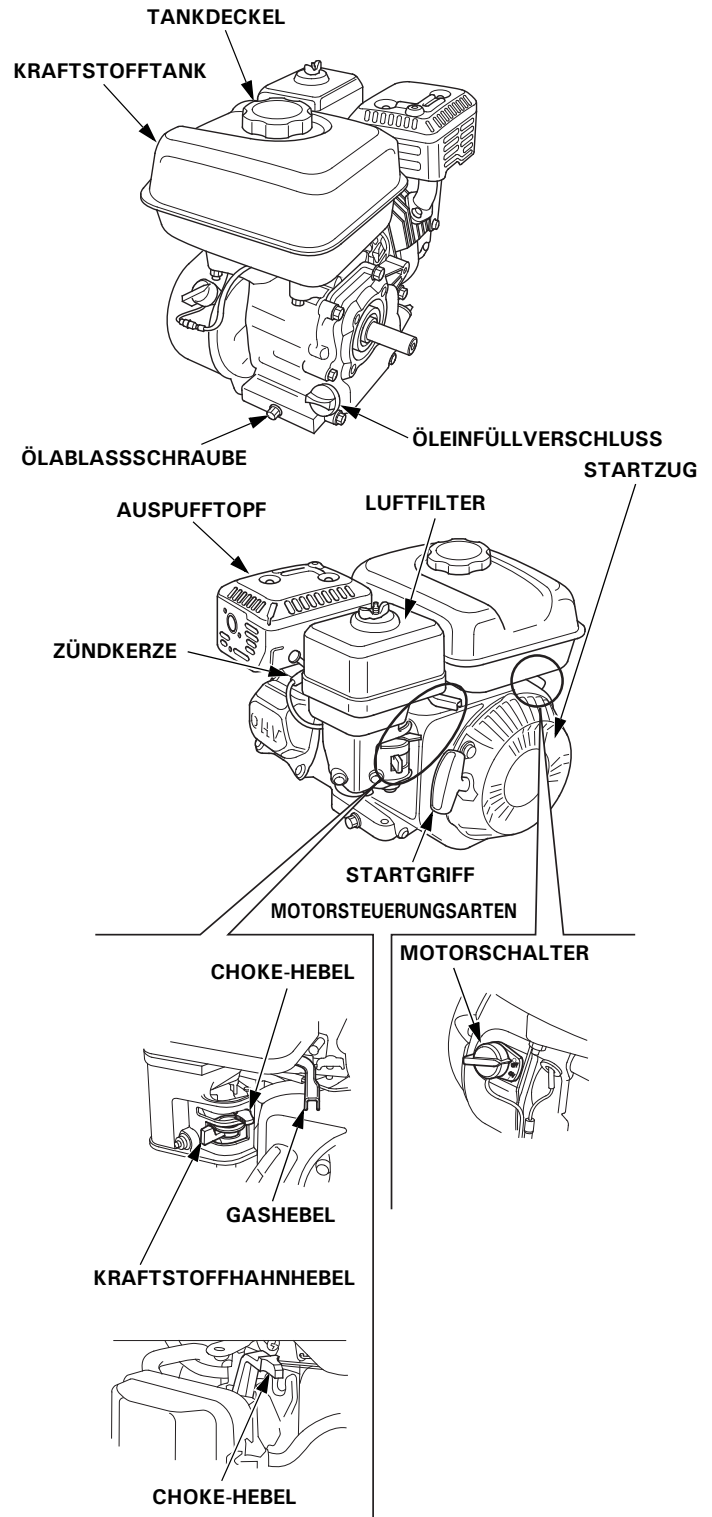


Im Abgas des Motors ist giftiges Kohlenmonoxid enthalten. Nicht in einem geschlossenen Bereich laufen lassen.



Vor Inbetriebnahme die Bedienungsanleitung lesen.

LAGE VON TEILEN UND BEDIENUNGSELEMENTEN



AUSSTATTUNGSMERKMALE

OIL ALERT-SYSTEM (Typen mit entsprechender Ausstattung)

Das Ölwarnsystem (Oil Alert) dient zur Verhinderung von Motorschäden, die durch eine unzureichende Ölmenge im Kurbelgehäuse verursacht werden können. Bevor der Ölstand im Kurbelgehäuse unter die Sicherheitsgrenze fallen kann, gibt das Oil Alert-System ein akustisches Signal ab, um darauf hinzuweisen, dass Öl nachgefüllt werden muss. (Der Motorschalter bleibt in Stellung EIN.)

Wenn der Motor stoppt und sich nicht mehr anlassen lässt, vor einer Störungssuche in anderen Bereichen den Ölstand überprüfen (siehe Seite 8).

KONTROLLEN VOR DEM BETRIEB

IST DER MOTOR BETRIEBSBEREIT?

Um Ihre Sicherheit zu gewährleisten, die Einhaltung von Umweltvorschriften sicherzustellen und die Lebensdauer der Ausrüstung zu maximieren, ist der Zustand des Motors vor jeder Inbetriebnahme zu überprüfen. Beheben Sie etwaige Störungen selbst, oder lassen Sie sie von Ihrer Kundendienstwerkstatt korrigieren, bevor Sie den Motor in Betrieb nehmen.

WARNUNG

Unsachgemäße Wartung dieses Motors oder Nichtbehebung eines Problems vor der Inbetriebnahme könnte eine ernste Funktionsstörung verursachen.

Gewisse Funktionsstörungen können schwere oder lebensgefährliche Verletzungen zur Folge haben.

Führen Sie stets eine Überprüfung vor jedem Betrieb durch, und beseitigen Sie etwaige Probleme.

Bevor Sie mit den Kontrollen vor dem Betrieb beginnen, vergewissern Sie sich, dass der Motor waagrecht steht und der Motorschalter in Stellung AUS ist.

Prüfen Sie stets die folgenden Punkte, bevor Sie den Motor starten:

Allgemeinen Zustand des Motors kontrollieren

1. Prüfen Sie die Außen- und Unterseite des Motors auf Anzeichen von Öl- oder Benzinlecks.
2. Übermäßigen Schmutz oder Fremdkörper entfernen, insbesondere um den Auspufftopf und den Startzug.
3. Nach Anzeichen von Beschädigung suchen.
4. Prüfen, ob alle Abschirmungen und Abdeckungen angebracht und alle Muttern sowie Schrauben angezogen sind.

Motor kontrollieren

1. Den Kraftstoffstand kontrollieren (siehe Seite 7). Starten mit vollem Tank trägt zur Beseitigung oder Verringerung von Betriebsunterbrechungen zum Tanken bei.
2. Den Motorölstand kontrollieren (siehe Seite 8). Betrieb des Motors mit niedrigem Ölstand kann Motorschäden verursachen.

Das Oil Alert-System (Typen mit entsprechender Ausstattung) stoppt den Motor automatisch, bevor der Ölstand unter das sichere Minimalniveau sinkt. Um jedoch die Unannehmlichkeit einer plötzlichen Abschaltung zu vermeiden, sollten Sie vor jedem Starten den Motorölstand überprüfen.

3. Den Luftfiltereinsatz kontrollieren (siehe Seite 9). Ein verschmutzter Luftfiltereinsatz behindert den Luftstrom zum Vergaser, wodurch die Motorleistung vermindert wird.
4. Kontrollieren Sie die von diesem Motor angetriebene Ausrüstung.

Schlagen Sie bezüglich etwaiger Vorkehrungen oder Verfahren, die vor dem Motorstart befolgt werden müssen, in der Gebrauchsanleitung für die von diesem Motor angetriebene Ausrüstung nach.

BETRIEB

VORKEHRUNGEN FÜR SICHEREN BETRIEB

Bitte lesen Sie die Abschnitte *SICHERHEITSINFORMATION* auf Seite 2 und *KONTROLLEN VOR DEM BETRIEB* auf Seite 3, bevor Sie den Motor zum ersten Mal in Betrieb nehmen.

Aus Sicherheitsgründen darf der Motor nicht in einem geschlossenen Raum, wie z. B. in einer Garage, betrieben werden. Das Motorabgas enthält giftiges Kohlenmonoxid, das sich in einer geschlossenen Umgebung rasch ansammelt und Übelkeit verursachen bzw. tödliche Folgen haben kann.

⚠️ WARNUNG

Abgas enthält giftiges Kohlenmonoxid, das in geschlossenen Räumen gefährliche Konzentrationen erreichen kann.

Einatmen von Kohlenmonoxid kann Bewusstlosigkeit hervorrufen und zum Tod führen.

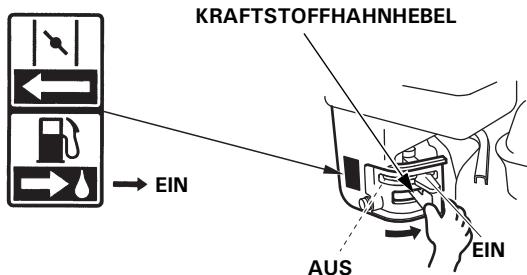
Der Motor dieses Produkts darf niemals in einem geschlossenen Raum laufen gelassen werden und auch nicht in einer zum Teil geschlossenen Umgebung, wo sich Menschen aufhalten könnten.

Schlagen Sie bezüglich etwaiger Sicherheitsvorkehrungen, die für Starten, Stoppen oder Betrieb des Motors befolgt werden müssen, in der Gebrauchsanleitung für die von diesem Motor angetriebene Ausrüstung nach.

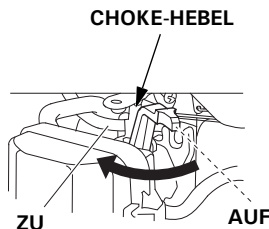
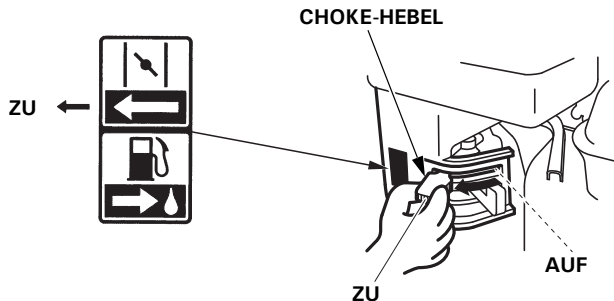
Den Motor nicht an Steigungen bzw. Gefällen von über 20 Grad (36 %) betreiben.

STARTEN DES MOTORS

1. Den Kraftstoffhahnhebel auf EIN stellen.



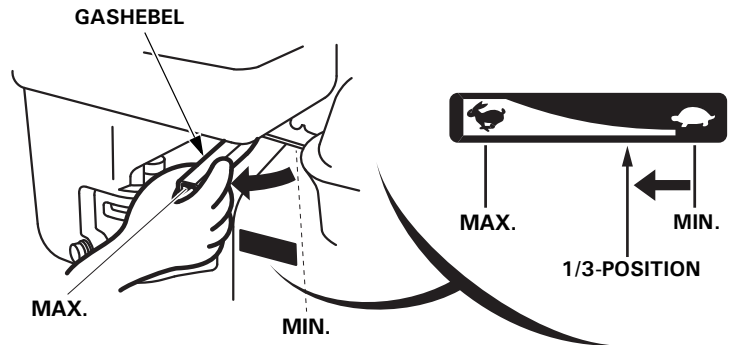
2. Zum Starten des Motors in kaltem Zustand Choke-Hebel oder Choke-Stange (Typen mit entsprechender Ausstattung) auf ZU stellen.



Zum Wiederanlassen des Motors in warmem Zustand Choke-Hebel oder Choke-Stange auf AUF gestellt lassen.

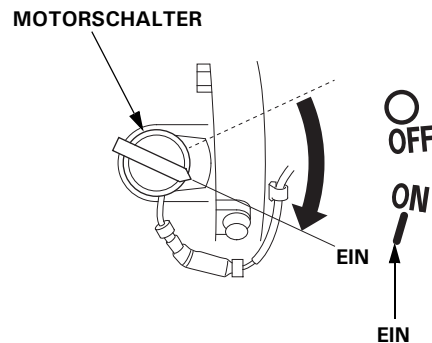
Für manche Motoranwendungen wird anstelle des hier gezeigten motormontierten Choke-Hebels eine fernmontierte Startventilsteuerung verwendet. Siehe Anweisungen des Ausrüstungsherstellers.

3. Den Gashebel um etwa 1/3 des Weges von der Position MIN. weg auf die Position MAX. zu bewegen.



Für manche Motoranwendungen wird anstelle des hier gezeigten motormontierten Gashebels eine fernmontierte Drosselklappensteuerung verwendet. Siehe Anweisungen des Ausrüstungsherstellers.

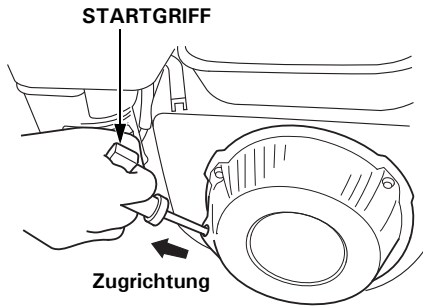
4. Den Motorschalter auf EIN stellen.



5. Den Starter betätigen.

STARTZUG

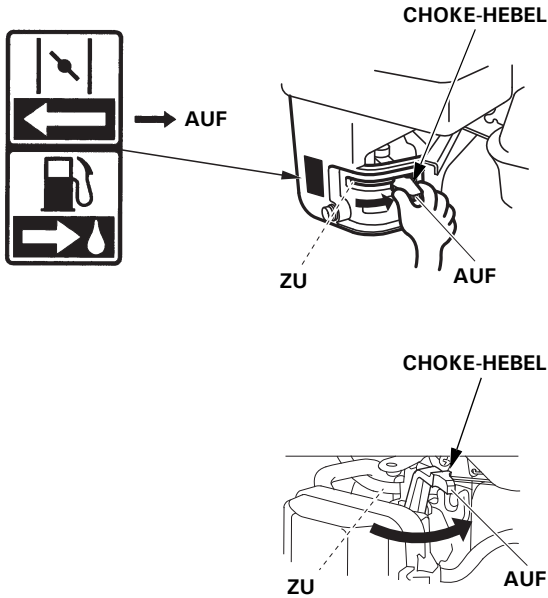
Den Startgriff leicht ziehen, bis Widerstand zu spüren ist, dann den Griff kräftig in Pfeilrichtung durchziehen, wie unten gezeigt. Den Startgriff sachte zurückführen.



ACHTUNG

Den Startgriff nicht gegen den Motor zurückschlagen lassen. Langsam zurückführen, damit der Starter nicht beschädigt wird.

6. Wenn der Choke-Hebel/die Choke-Stange (Typen mit entsprechender Ausstattung) zum Starten des Motors auf ZU gestellt worden ist, diesen/diese allmählich auf AUF zurückstellen, während der Motor warm läuft.

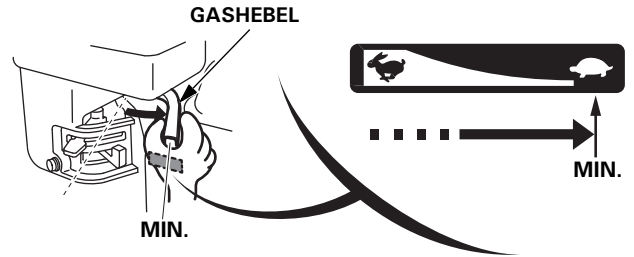


STOPPEN DES MOTORS

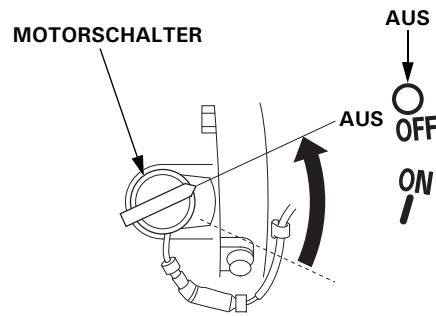
Zum Stoppen des Motors in einem Notfall stellen Sie einfach den Motorschalter auf AUS. Bei normalen Verhältnissen wenden Sie das folgende Verfahren an. Siehe Anweisungen des Ausrüstungsherstellers.

1. Den Gashebel bis zum Anschlag in die Stellung MIN. bringen.

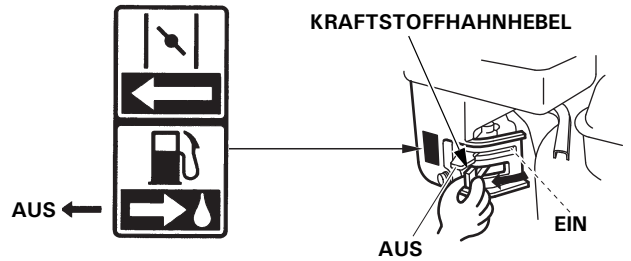
Für manche Motoranwendungen wird anstelle des hier gezeigten motormontierten Gashebels eine fernmontierte Drosselklappensteuerung verwendet.



2. Den Motorschalter auf AUS stellen.



3. Den Kraftstoffhahnhebel auf AUS stellen.

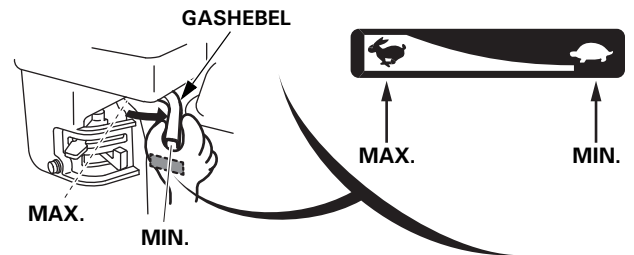


EINSTELLEN DER MOTORDREHZAHL

Den Gashebel auf die gewünschte Motordrehzahl einstellen.

Für manche Motoranwendungen wird anstelle des hier gezeigten motormontierten Gashebels eine fernmontierte Drosselklappensteuerung verwendet. Siehe Anweisungen des Ausrüstungsherstellers.

Angaben zur empfohlenen Motordrehzahl entnehmen Sie bitte der Anleitung für die durch diesen Motor angetriebene Ausrüstung.



WARTUNG DES MOTORS

DIE BEDEUTSAMKEIT RICHTIGER WARTUNG

Gute Wartung ist für sicheren, wirtschaftlichen und störungsfreien Betrieb von ausschlaggebender Bedeutung. Sie trägt auch zur Verringerung der Umweltverschmutzung bei.

⚠️ WARNUNG

Unsachgemäße Wartung dieses Motors oder Nichtbehebung eines Problems vor der Inbetriebnahme könnte eine ernste Funktionsstörung verursachen.

Gewisse Funktionsstörungen können schwere oder lebensgefährliche Verletzungen zur Folge haben.

Gehen Sie stets gemäß den Inspektions- und Wartungsempfehlungen/-plänen in dieser Bedienungsanleitung vor.

Um Ihnen bei der korrekten Pflege des Motors zu helfen, enthalten die folgenden Seiten einen Wartungsplan, routinemäßige Überprüfungsverfahren sowie einfache Wartungsverfahren mit grundlegenden Handwerkzeugen. Andere Wartungsarbeiten, die schwieriger sind oder Spezialwerkzeuge erfordern, sollten Sie Fachpersonal, wie z. B. einem Honda-Techniker oder einem qualifizierten Mechaniker, überlassen.

Der Wartungsplan gilt für normale Betriebsbedingungen. Wenn Sie den Motor unter erschwerten Bedingungen, z. B. im Dauerbetrieb bei hoher Belastung oder hohen Temperaturen, oder unter ungewöhnlich nassen oder staubigen Bedingungen betreiben, lassen Sie sich von Ihrem Wartungshändler hinsichtlich Ihrer individuellen Anforderungen beraten.

Nur Honda Original-Ersatzteile oder Teile gleichwertiger Qualität verwenden. Bei Verwendung von Ersatzteilen, die nicht den Qualitätsanforderungen entsprechen, kann der Motor beschädigt werden.

SICHERHEIT BEI WARTUNGSARBEITEN

Nachfolgend sind einige der wichtigsten Sicherheitsvorkehrungen aufgeführt. Es ist jedoch nicht möglich, alle denkbaren Gefahren, die bei Wartungsarbeiten auftreten können, zu erwähnen und entsprechende Vorsichtsmaßnahmen zu beschreiben. Nur Sie können entscheiden, ob Sie sich eine bestimmte Aufgabe zutrauen oder nicht.

⚠️ WARNUNG

Unsachgemäße Wartung kann die Gebrauchssicherheit beeinträchtigen.

Wenn die Wartungsanweisungen und Vorsichtsmaßnahmen nicht genau befolgt werden, besteht die Gefahr ernsthafter Verletzungen oder des Lebensverlustes.

Befolgen Sie stets die in dieser Bedienungsanleitung gegebenen Verfahren und Vorsichtsmaßnahmen.

SICHERHEITSVORKEHRUNGEN

- Bevor mit irgendeiner Wartungs- oder Reparaturarbeit begonnen wird, muss der Motor abgestellt sein. Den Zündkerzenstecker abziehen, um einen versehentlichen Anlauf zu vermeiden. Damit können mögliche Gefahren ausgeschaltet werden:
 - **Kohlenmonoxidvergiftung durch Abgase.**
Arbeiten Sie im Freien, weg von offenen Fenstern oder Türen.
 - **Verbrennungen durch heiße Teile.**
Lassen Sie den Motor und die Auspuffanlage abkühlen, bevor Sie entsprechende Teile anfassen.
 - **Verletzungen durch Kontakt mit beweglichen Teilen.**
Lassen Sie den Motor nur dann laufen, wenn Sie dazu angewiesen werden.
- Lesen Sie zuerst die Anweisungen, und vergewissern Sie sich, dass Sie über die notwendigen Werkzeuge und Kenntnisse verfügen.
- Um die Gefahr eines Brandes oder einer Explosion zu minimieren, lassen Sie beim Arbeiten in der Nähe von Benzin besondere Vorsicht walten. Zum Reinigen von Teilen nur ein nicht entflammendes Lösungsmittel, kein Benzin verwenden. Zigaretten, Funken und Flammen von allen Kraftstoffteilen fern halten.

Denken Sie daran, dass ein autorisierter Honda-Wartungshändler Ihren Motor am besten kennt und für Wartungs- und Reparaturarbeiten optimal ausgerüstet ist.

Um höchste Qualität und Zuverlässigkeit zu gewährleisten, verwenden Sie nur neue Honda Original-Ersatzteile oder gleichwertige Teile für Reparatur und Austausch.

WARTUNGSPLAN

REGELMÄSSIGER SERVICE (1) Diese Arbeiten sollen in den angegebenen monatlichen oder betriebsstündlichen Abständen durchgeführt werden. Maßgeblich ist der frühere Zeitpunkt.		Jede Ver-wendung	Erster Monat oder alle 20 Stunden	Alle 3 Monate oder alle 50 Stunden	Alle 6 Monate oder alle 100 Stunden	Jedes Jahr oder alle 300 Stunden	Siehe Seite
POSITION							
Motoröl	Füllstand prüfen	o					8
	Wechseln		o		o		8
Luftfilter	Prüfen	o					9–10
	Reinigen			o (2)			9–10
	Austauschen					o*	
Zündkerze	Prüfen, einstellen				o		11
	Austauschen					o	
Leerlaufdrehzahl	Prüfen, einstellen					o (3)	Werkstatt-handbuch
Ventilspiel	Prüfen, einstellen					o (3)	Werkstatt-handbuch
Brennraum	Reinigen	Alle 500 Stunden (3)					Werkstatt-handbuch
Kraftstofftank und -filter	Reinigen				o (3)		Werkstatt-handbuch
Kraftstoffleitung	Prüfen	Alle 2 Jahre (bei Bedarf austauschen) (3)					Werkstatt-handbuch

* Nur Ausführung mit Papiereinsatz austauschen.

- (1) Bei kommerzieller Anwendung ein Betriebsstundenprotokoll führen, um die richtigen Wartungsintervalle bestimmen zu können.
- (2) Bei Einsatz in staubigen Umgebungen häufiger warten.
- (3) Diese Wartungsarbeiten sollten von Ihrem Wartungshändler ausgeführt werden, es sei denn, Sie verfügen über die richtigen Werkzeuge und technischen Qualifikationen. Beschreibungen der einzelnen Wartungsverfahren finden Sie im Honda-Werkstatthandbuch.

Wenn dieser Wartungsplan nicht eingehalten wird, sind nicht gewährleistungspflichtige Störungen und Ausfälle die möglichen Folgen.

TANKEN

Empfohlener Kraftstoff

Bleifreies Benzin
Research-Oktananzahl 91 oder höher
ROZ + MOZ/2 = 86 oder höher

Dieser Motor ist auf bleifreies Benzin mit einer Research-Oktananzahl von 91 oder höher (entsprechend ROZ + MOZ/2 = 86 Oktan oder höher) ausgelegt.

In einem gut belüfteten Bereich bei gestopptem Motor tanken. Wenn der Motor unmittelbar vorher in Betrieb war, lassen Sie ihn zuerst abkühlen. Betanken Sie den Motor niemals in einem Gebäude, wo die Benzindämpfe Flammen oder Funken erreichen können.

Sie können bleifreies Benzin mit maximal 10 Volumenprozent Ethanol (E10) oder maximal 5 Volumenprozent Methanol verwenden. Methanol muss auch Kosolventen und Korrosionsinhibitoren enthalten. Durch den Gebrauch von Kraftstoffen mit einem höheren Ethanol- oder Methanolgehalt als oben angegeben können Start- und/oder Leistungsprobleme entstehen. Es kann auch zu Beschädigungen von Metall-, Gummi- und Kunststoffteilen des Kraftstoffsystems kommen. Motorschäden und Leistungsstörungen wegen Gebrauchs eines Kraftstoffs mit höheren Ethanol- oder Methanol-Prozentsätzen als oben angegeben sind von der Garantie nicht abgedeckt.

Wenn die Ausrüstung nur gelegentlich bzw. periodisch betrieben wird, beachten Sie bitte die Zusatzinformationen hinsichtlich Kraftstoffverschlechterung im Abschnitt "Kraftstoff" des Kapitels *LAGERN DES MOTORS* (siehe Seite 11).

Niemals abgestandenes, verschmutztes oder mit Öl gemischtes Benzin verwenden. Darauf achten, dass weder Schmutz noch Wasser in den Kraftstofftank gelangt.

⚠️ WARNUNG

Benzin ist äußerst feuergefährlich und explosiv, und Sie können beim Tanken Verbrennungen oder schwere Verletzungen erleiden.

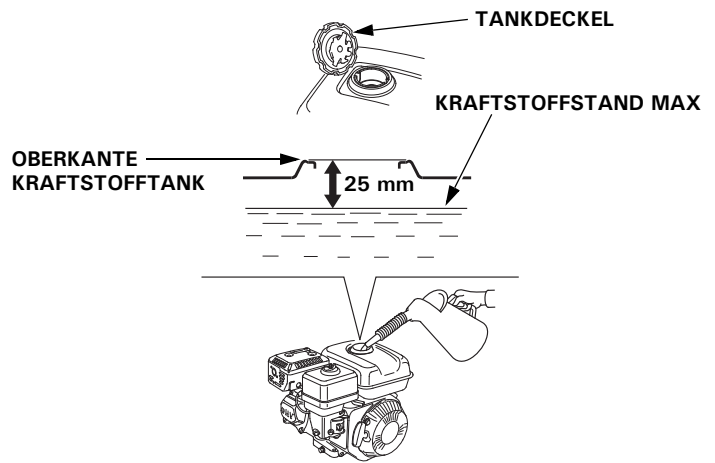
- Vor dem Tanken den Motor abstellen und abkühlen lassen.
- Hitze, Funken und Flammen fern halten.
- Nur im Freien tanken.
- Verschüttetes Benzin unverzüglich aufwischen.

ACHTUNG

Kraftstoff kann Lack und bestimmte Kunststofftypen beschädigen. Achten Sie beim Tanken darauf, dass Sie keinen Kraftstoff verschütten. Schäden aufgrund verschütteten Benzins sind nicht von der Garantie abgedeckt.

Angaben zum Tanken können Sie den der Ausrüstung beiliegenden Anweisungen des Herstellers entnehmen. Bezüglich Betankens eines von Honda gelieferten Standard-Kraftstofftanks siehe Folgendes.

1. Bei gestopptem und auf ebener Fläche stehendem Motor den Tankdeckel abnehmen und den Kraftstoffstand kontrollieren. Bei niedrigem Kraftstoffstand auftanken.
2. Kraftstoff bis zur oberen Füllstandmarkierung am Kraftstofftank einfüllen. Den Tank nicht ganz auffüllen. Nicht überfüllen. Verschütteten Kraftstoff vor dem Starten des Motors aufwischen.



3. Sorgfältig tanken, um Verschütten von Kraftstoff zu vermeiden. Den Tank bis etwa 25 mm unter der Oberseite füllen, um Platz für eine eventuelle Ausdehnung des Kraftstoffs zu lassen. Je nach Betriebsbedingungen muss der Kraftstoffstand eventuell gesenkt werden. Nach dem Tanken den Tankdeckel sicher festziehen.

Benzin von Zündflammen, Grills, Elektrogeräten, Elektrowerkzeugen usw. fern halten.

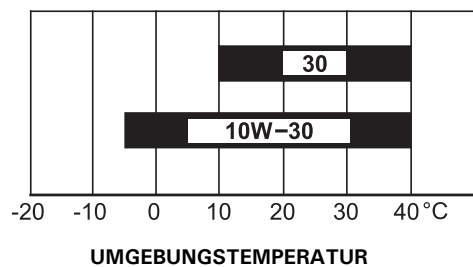
Verschütteter Kraftstoff stellt nicht nur eine Feuergefahr dar, sondern verursacht auch Umweltschäden. Verschüttetes Benzin unverzüglich aufwischen.

MOTORÖL

Das Öl ist ein ausschlaggebender Faktor für die Leistung und Lebensdauer des Motors. Waschaktives Kraftfahrzeugöl für Viertaktmotoren verwenden.

Empfohlenes Öl

Verwenden Sie ein Motoröl für Viertaktmotoren, das die Anforderungen für API-Serviceklasse SE oder höher (bzw. gleichwertig) erfüllt oder überschreitet. Prüfen Sie stets das API-Service-Etikett am Ölbehälter, um sicherzugehen, dass es die Buchstaben SE oder die einer höheren Klasse (bzw. gleichwertig) enthält.



SAE 10W-30 wird für allgemeinen Gebrauch empfohlen. Andere in der Tabelle angegebene Viskositäten können verwendet werden, wenn die durchschnittliche Temperatur in Ihrem Gebiet innerhalb des angezeigten Bereichs liegt.

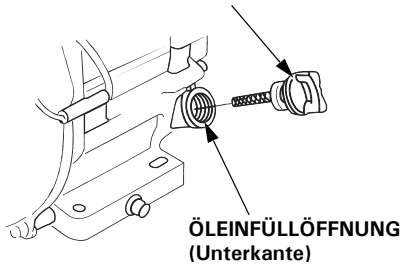
Nach jedem Kontakt mit gebrauchtem Öl die Hände gründlich mit Wasser und Seife waschen.

Ölstandkontrolle

Den Motorölstand bei gestopptem und waagrecht stehendem Motor prüfen.

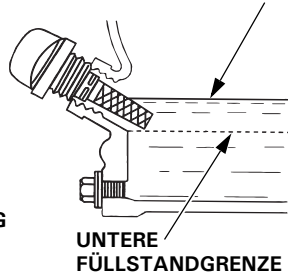
1. Den Öleinfüllverschluss/Messstab abnehmen und sauber wischen.
2. Den Öleinfüllverschluss/Messstab wie gezeigt in den Öleinfüllstutzen einführen, ohne ihn einzudrehen, und dann zum Prüfen des Ölstands herausnehmen.
3. Liegt der Ölstand in der Nähe oder unterhalb der unteren Grenzmarke am Messstab, das empfohlene Öl (siehe Seite 7) bis zur oberen Grenzmarke (Unterkante der Öleinfüllöffnung) einfüllen. Nicht überfüllen.
4. Den Öleinfüllverschluss/Messstab wieder anbringen.

ÖLEINFÜLLVERSCHLUSS/MESSSTAB



ÖLEINFÜLLÖFFNUNG
(Unterkante)

OBERE FÜLLSTANDGRENZE



UNTERE
FÜLLSTANDGRENZE

ACHTUNG

Betrieb des Motors mit niedrigem Ölstand kann Motorschäden verursachen. Diese Art Schäden sind von der Garantie nicht abgedeckt.

Das Oil Alert-System (Typen mit entsprechender Ausstattung) stoppt den Motor automatisch, bevor der Ölstand unter das sichere Minimalniveau sinkt. Um jedoch die Unannehmlichkeit einer plötzlichen Abschaltung zu vermeiden, sollten Sie vor jedem Starten den Motorölstand überprüfen.

Ölwechsel

Das Altöl bei warmem Motor ablassen. Warmes Öl läuft schnell und vollständig ab.

1. Zum Auffangen des Öls einen geeigneten Behälter unter den Motor stellen, dann Öleinfüllverschluss/Messstab, Ölablassschraube und Scheibe abnehmen.
2. Das Öl vollständig ablaufen lassen, dann die Ölablassschraube mit einer neuen Dichtscheibe wieder anbringen und die Schraube gut festziehen.
3. Das empfohlene Öl (siehe Seite 7) bei waagrecht liegendem Motor bis zur oberen Grenzmarke (Unterkante der Öleinfüllöffnung) am Messstab einfüllen.

Motorölkapazität: GP160: 0,58 l
GP200: 0,6 l

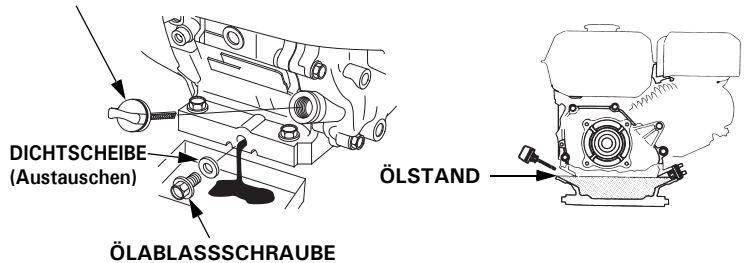
ACHTUNG

Betrieb des Motors mit niedrigem Ölstand kann Motorschäden verursachen. Diese Art Schäden sind von der Garantie nicht abgedeckt.

Das Oil Alert-System (Typen mit entsprechender Ausstattung) stoppt den Motor automatisch, bevor der Ölstand unter das sichere Minimalniveau sinkt. Um jedoch die Unannehmlichkeit einer plötzlichen Abschaltung zu vermeiden, ist Öl bis zur oberen Füllstandgrenze einzufüllen und der Ölstand regelmäßig zu kontrollieren.

4. Den Öleinfüllverschluss/Messstab einsetzen und sicher anziehen.

ÖLEINFÜLLVERSCHLUSS/MESSSTAB



DICHTSCHEIBE
(Austauschen)

ÖLSTAND

ÖLABLASSSCHRAUBE

Nach jedem Kontakt mit gebrauchtem Öl die Hände gründlich mit Wasser und Seife waschen.

ACHTUNG

Altes Motoröl ist umweltverträglich zu entsorgen. Wir empfehlen, das Altöl in einem versiegelten Behälter bei einer örtlichen Ölservicestation zur Entsorgung abzugeben. Altöl weder in den Abfall geben, noch in die Kanalisation, in einen Abfluss oder auf den Erdboden schütten.

LUFTFILTER

Ein verschmutzter Luftfilter behindert den Luftstrom zum Vergaser, wodurch die Motorleistung vermindert wird. Wird der Motor in sehr staubiger Umgebung betrieben, ist der Luftfilter häufiger als im **WARTUNGSPLAN** angegeben zu reinigen (siehe Seite 6).

ACHTUNG

Den Motor ohne Luftfilter oder mit einem beschädigten Luftfilter laufen zu lassen, lässt Schmutz in den Motor gelangen und führt zu schnellem Motorverschleiß. Diese Art Schäden sind von der Garantie nicht abgedeckt.

Inspektion

Den Luftfilterdeckel abnehmen und die Filtereinsätze überprüfen. Einen schmutzigen Filtereinsatz reinigen oder auswechseln. Ein beschädigter Filtereinsatz ist stets auszuwechseln. Bei Ausstattung mit einem Ölbad-Luftfilter muss auch der Ölstand überprüft werden.

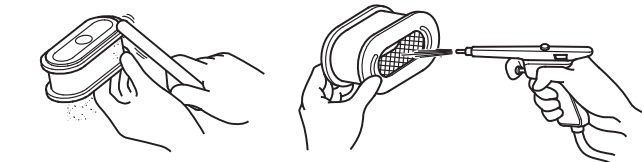
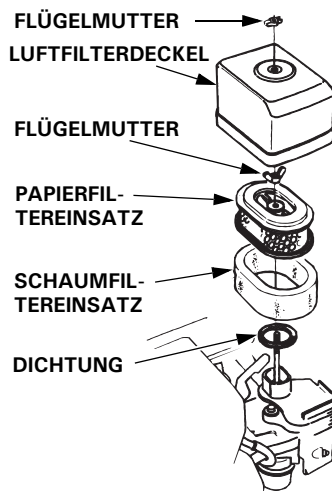
Anweisungen bezüglich des Luftfilters und Filtereinsatzes für Ihren Motortyp finden Sie auf den Seiten 9–10.

Reinigung

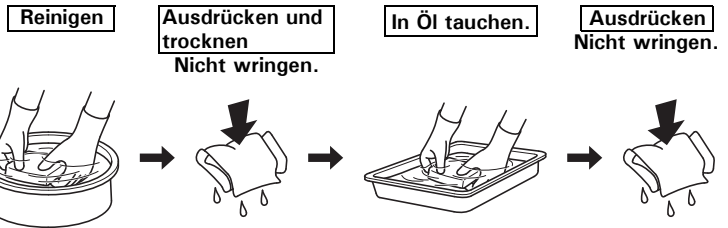
[Typen mit Doppel-Filtereinsatz]

1. Die Flügelmutter vom Luftfilterdeckel abschrauben und den Deckel abnehmen.
2. Die Flügelmutter vom Luftfilter abschrauben und die Filtereinsätze herausnehmen.
3. Den Schaumfiltereinsatz vom Papierfiltereinsatz abnehmen.
4. Beide Filtereinsätze überprüfen und bei Beschädigung auswechseln. Der Papierfiltereinsatz ist stets in den planmäßigen Intervallen auszuwechseln (siehe Seite 6).
5. Bei Wiederverwendung die Luftfiltereinsätze reinigen.

STANDARD AUSFÜHRUNG MIT DOPPEL-FILTEREINSATZ



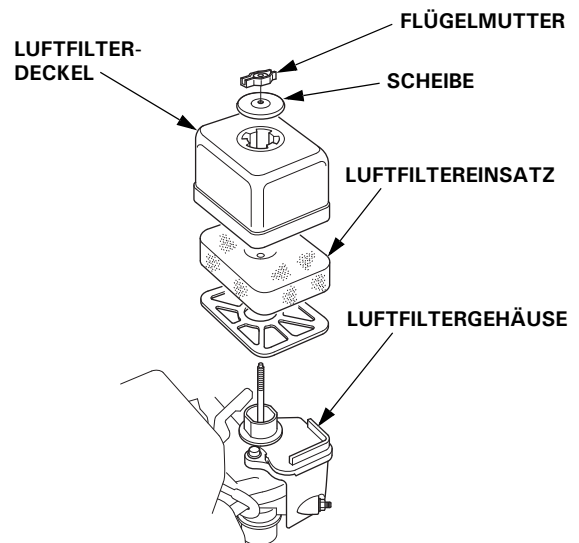
Schaumfiltereinsatz: In warmer Seifenlauge reinigen, spülen und gründlich trocknen lassen. Oder in nicht entflammbarem Lösungsmittel reinigen und dann trocknen lassen. Den Filtereinsatz in sauberes Motoröl tauchen, dann jegliches überschüssige Öl herausdrücken. Wenn zu viel Öl im Schaum verbleibt, raucht der Motor beim Starten.



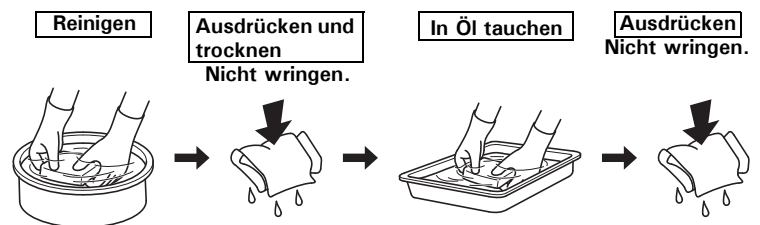
6. Schmutz von der Innenseite des Luftfiltergehäuses und -deckels mit einem feuchten Lappen abwischen. Darauf achten, dass kein Schmutz in den zum Vergaser führenden Luftkanal gelangt.
7. Den Schaumfiltereinsatz auf den Papiereinsatz setzen und den zusammengesetzten Luftfilter wieder einbauen. Darauf achten, dass die Dichtung unter dem Luftfilter angebracht ist. Die Flügelmutter des Luftfilters sicher anziehen.
8. Den Luftfilterdeckel anbringen und die Flügelmutter sicher anziehen.

[Ausführungen mit halbtrockenem Einsatz]

1. Die Flügelmutter lösen, die Scheibe ausbauen und den Luftfilterdeckel entfernen.
2. Den Luftfiltereinsatz vom Luftfiltergehäuse abnehmen.
3. Den Luftfiltereinsatz inspizieren und bei Beschädigung auswechseln.



4. Den Luftfiltereinsatz bei Wiederverwendung reinigen.



5. Schmutz von der Innenseite des Luftfiltergehäuses und -deckels mit einem feuchten Lappen abwischen. Darauf achten, dass kein Schmutz in den zum Vergaser führenden Luftkanal gelangt.
6. Den Luftfiltereinsatz am Luftfiltergehäuse anbringen.
7. Den Luftfilterdeckel und die Scheibe einbauen.
8. Die Flügelmutter sicher anbringen.

[Ölbadtypen]

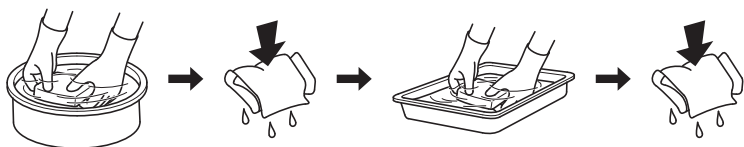
1. Die Flügelmutter ausbauen und die Luftfilterkappe und den Luftfilterdeckel abnehmen.
2. Den Luftfiltereinsatz vom Deckel abnehmen. Deckel und Filtereinsatz in warmer Seifenlauge waschen, spülen und gründlich trocknen lassen. Oder in nicht entflammbarem Lösungsmittel reinigen und dann trocknen lassen.
3. Den Filtereinsatz in sauberes Motoröl tauchen, dann jegliches überschüssige Öl herausdrücken. Wenn zu viel Öl im Schaumeinsatz verbleibt, raucht der Motor.

Reinigen

Ausdrücken und trocknen
Nicht wringen.

In Öl tauchen.

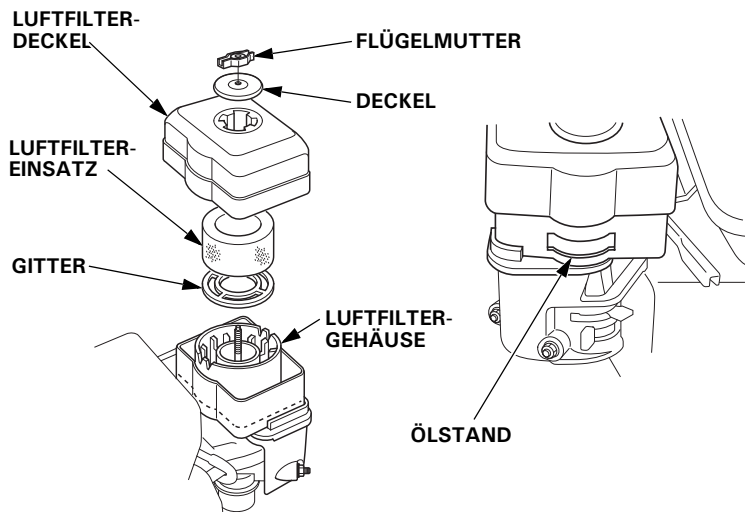
Ausdrücken
Nicht wringen.



4. Das Altöl vom Luftfiltergehäuse ablassen, angesammelten Schmutz mit nicht flammbarem Lösungsmittel auswaschen, dann das Gehäuse abtrocknen.
5. Das gleiche Öl, das auch für den Motor empfohlen wird, bis zur ÖLSTAND-Markierung in das Luftfiltergehäuse einfüllen (siehe Seite 7).

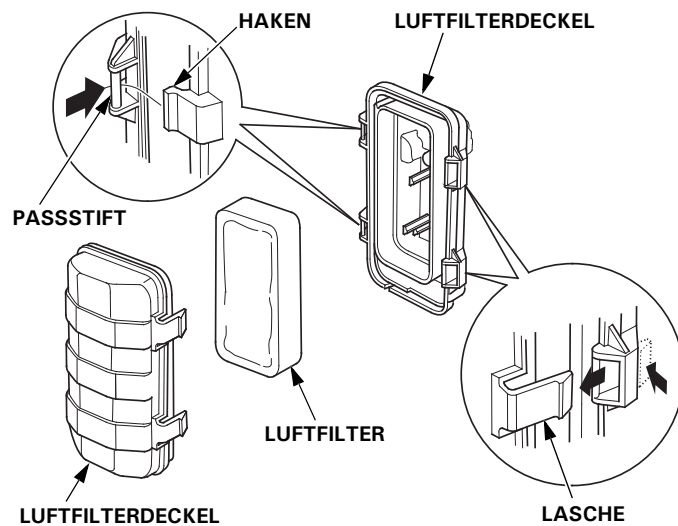
Ölfüllmenge: 60 cm³

6. Den Luftfilter zusammenbauen und die Flügelmutter sicher anziehen.



[Flachprofiltypen]

1. Die Laschen drücken und den Luftfilterdeckel öffnen.
2. Die Haken von den Passstiften am Luftfiltergehäuse lösen und den Luftfilterdeckel rechts am Rahmenrohr ausbauen. Dabei darauf achten, dass der Luftfilterdeckel nicht beschädigt wird.
3. Den Luftfilter aus dem Luftfiltergehäuse nehmen.



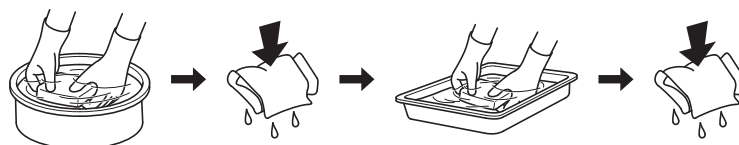
4. Den Luftfiltereinsatz inspizieren und bei Beschädigung auswechseln. Den Luftfiltereinsatz bei Wiederverwendung reinigen.

Reinigen

Ausdrücken und trocknen
Nicht wringen.

In Öl tauchen.

Ausdrücken
Nicht wringen.

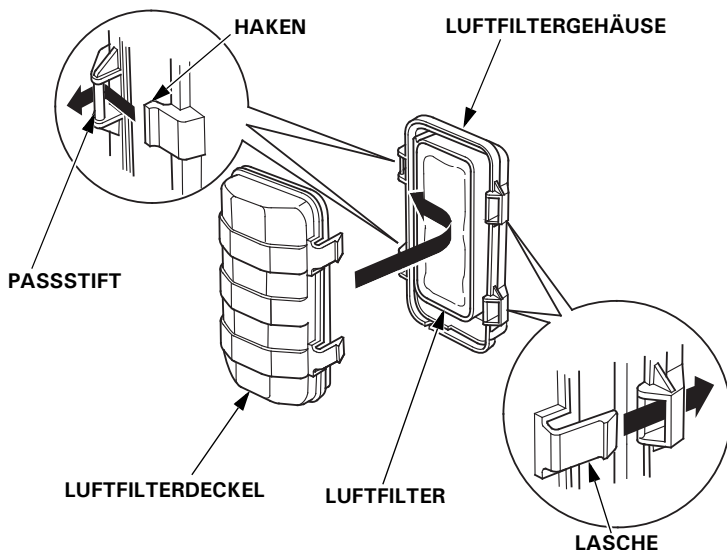
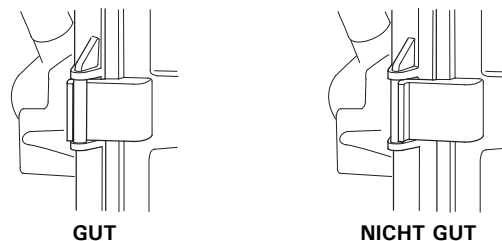


5. Den Luftfilter wieder im Luftfiltergehäuse einbauen.

6. Die Haken am Luftfilterdeckel sicher mit den Passstiften verbinden und anschließend den Luftfilterdeckel drücken, um die Laschen zu verriegeln.

ACHTUNG

Den Motor ohne Luftfilter oder mit einem beschädigten Luftfilter laufen zu lassen, lässt Schmutz in den Motor gelangen und führt zu schnellem Motorverschleiß. Diese Schadensart ist durch die Garantie nicht abgedeckt.



ZÜNDKERZE

Empfohlene Zündkerze: BPR6ES (NGK)
W20EPR-U (DENSO)

Die empfohlene Zündkerze hat den korrekten Wärmewert für normale Motorbetriebstemperaturen.

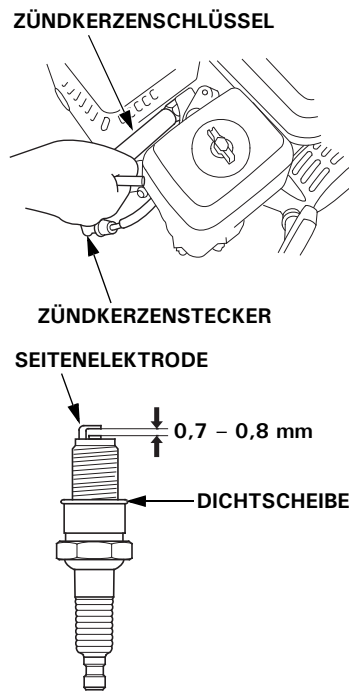
ACHTUNG

Eine falsche Zündkerze kann Motorschaden verursachen.

Einen noch heißen Motor vor dem Warten der Zündkerze zuerst abkühlen lassen.

Um gute Leistung zu liefern, muss die Zündkerze einen korrekten Elektrodenabstand haben und frei von Ablagerungen sein.

1. Den Zündkerzenstecker abtrennen und jeglichen Schmutz im Zündkerzenbereich beseitigen.
2. Die Zündkerze mit einem 21 mm-Zündkerzenschlüssel ausbauen.
3. Das Äußere der Zündkerze überprüfen. Die Zündkerze auswechseln, wenn sie beschädigt oder stark verschmutzt ist, wenn sich die Dichtscheibe in schlechtem Zustand befindet bzw. die Elektroden abgenutzt sind.
4. Den Elektrodenabstand der Zündkerze mit einer Drahtfühlerlehre messen. Den Elektrodenabstand erforderlichenfalls durch vorsichtiges Biegen der Seitenelektrode korrigieren. Sollelektrodenabstand: 0,7 – 0,8 mm



5. Die Zündkerze vorsichtig von Hand eindrehen, um Ausreißen des Gewindes zu vermeiden.
6. Die Zündkerze nach dem Aufsitzen mit einem 21 mm-Zündkerzenschlüssel festziehen, um die Dichtscheibe zusammenzudrücken.

Eine neue Zündkerze ist nach dem Aufsitzen noch um eine weitere 1/2 Drehung festzuziehen, um die Scheibe zusammenzudrücken.

Eine gebrauchte Zündkerze ist nach dem Aufsitzen noch um 1/8 bis 1/4 Drehung festzuziehen, um die Scheibe zusammenzudrücken.

ANZUGSDREHMOMENT: 18 N·m (1,8 kgf·m)

ACHTUNG

Eine lockere Zündkerze kann sich überhitzen und den Motor beschädigen.

Durch Überziehen der Zündkerze kann das Gewinde im Zylinderkopf beschädigt werden.

7. Den Zündkerzenstecker auf die Zündkerze aufsetzen.

NÜTZLICHE TIPPS UND EMPFEHLUNGEN

LAGERN DES MOTORS

Lagerungsvorbereitung

Eine sachgemäße Lagerungsvorbereitung ist ausschlaggebend, um störungsfreien Betrieb und gutes Aussehen des Motors aufrechtzuerhalten. Die folgenden Schritte verhindern, dass Funktion und Erscheinung des Motors durch Rost und Korrosion beeinträchtigt werden, und erleichtern das Starten des Motors bei der Wiederinbetriebnahme.

Reinigung

Wenn der Motor in Betrieb war, lassen Sie ihn mindestens eine halbe Stunde lang abkühlen, bevor Sie mit der Reinigung beginnen. Alle Außenflächen reinigen, Lackschäden ausbessern und rostanfällige Teile mit einem dünnen Ölfilm überziehen.

ACHTUNG

Durch Abspritzen mit einem Gartenschlauch oder Waschen in einer Druckwaschanlage kann Wasser in die Luftfilter- oder Auspufftopföffnung eindringen. Falls Wasser im Luftfilter vorhanden ist, saugt sich der Filtereinsatz voll, und Wasser, das in den Luftfilter oder Auspufftopf eindringt, kann in den Zylinder gelangen und Schäden verursachen.

Kraftstoff

ACHTUNG

Kraftstoffzusammensetzungen können je nach Betriebsgebiet schnell altern und oxidieren. Kraftstoffverschlechterung und -oxidation kann schon in 30 Tagen erfolgen und zu einer Beschädigung des Vergasers und/oder Kraftstoffsystems führen. Ihr Wartungshändler gibt Ihnen gerne Auskunft über örtliche Lagerungsbedingungen.

Benzin oxidiert und altert bei längerer Lagerung. Gealtertes Benzin verursacht Startprobleme und hinterlässt klebrige Rückstände, die das Kraftstoffsystem verstopfen. Falls das Benzin im Motor während der Lagerung altert, müssen Vergaser und andere Kraftstoffsystemteile eventuell gewartet oder ausgewechselt werden.

Die Zeitdauer, die Benzin im Kraftstofftank und Vergaser belassen werden kann, ohne funktionelle Probleme zu verursachen, hängt von Faktoren ab wie dem Kraftstoffgemisch, Ihren Lagertemperaturen und ob der Kraftstofftank halb oder voll gefüllt ist. Die Luft in einem teilweise gefüllten Kraftstofftank fördert die Qualitätsminderung des Kraftstoffs. Sehr warme Lagertemperaturen beschleunigen die Qualitätsminderung des Kraftstoffs. Probleme mit qualitätsgemindertem Kraftstoff können innerhalb von 30 Tagen nach Einfüllen des Kraftstoffs in den Tank auftreten, oder sogar früher, wenn das Benzin bei der Befüllung nicht frisch war.

Schäden am Kraftstoffsystem oder Leistungsprobleme des Motors aufgrund mangelnder Lagerungsvorbereitung sind von der Garantie nicht abgedeckt.

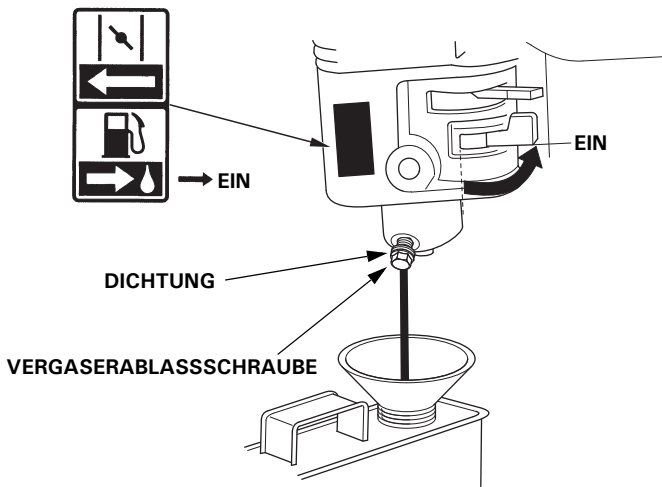
⚠️ WARNUNG

Benzin ist äußerst feuergefährlich und explosiv.

Sie können beim Umgang mit Kraftstoff Verbrennungen oder schwere Verletzungen erleiden.

- Den Motor stoppen und Wärme, Funken sowie Flammen fern halten.
- Benzin nur im Freien handhaben.
- Verschüttetes Benzin unverzüglich aufwischen.

1. Den Kraftstoffhahnhebel auf AUS stellen (siehe Seite 5).
2. Einen für Benzin zugelassenen Behälter unter den Vergaser stellen und einen Trichter verwenden, um kein Benzin zu verschütten.
3. Den Kraftstoffhahnhebel auf EIN stellen und die Vergaserablassschraube lösen, indem sie 1 bis 2 Drehungen gegen den Uhrzeigersinn bewegt wird.



4. Nachdem der Kraftstoff restlos abgelassen wurde, die Vergaserablassschraube sicher festziehen und den Kraftstoffhahn auf AUS stellen.

Motoröl

1. Das Motoröl wechseln (siehe Seite 8).
2. Die Zündkerze herausdrehen (siehe Seite 11).
3. Einen Teelöffel 5 – 10 cm³ sauberes Motoröl in den Zylinder gießen.
4. Den Startgriff einige Male ziehen, um das Öl im Zylinder zu verteilen.
5. Die Zündkerze wieder eindrehen.
6. Den Startgriff langsam ziehen, bis Widerstand spürbar ist und die Kerbe an der Starterrolle mit dem Loch oben in der Seilzugstarterabdeckung fluchtet. Dadurch werden die Ventile geschlossen, sodass keine Feuchtigkeit in den Zylinder des Motors gelangen kann. Den Startgriff sachte zurückführen.
7. Den Motor abdecken, um Staub fern zu halten.

Lagerungsvorkehrungen

Soll der Motor mit Benzin in Kraftstofftank und Vergaser gelagert werden, ist es wichtig, die Gefahr einer Benzindampfenentflammung zu verringern. Wählen Sie einen gut belüfteten Lagerraum fern von Geräten, die mit Flammen arbeiten, wie z. B. Brennofen, Wasserboiler oder Wäschetrockner. An dem Lagerort sollen außerdem keine funkenerzeugenden Elektromotoren oder Elektrowerkzeuge betrieben werden.

Vermeiden Sie nach Möglichkeit Lagerräume mit hoher Luftfeuchtigkeit, weil diese Rost und Korrosion begünstigt.

Den Motor während der Lagerung waagrecht halten. Neigen kann Auslaufen von Kraftstoff oder Öl verursachen.

Den Motor zum Schutz vor Staub abdecken, nachdem Motor und Auspuffanlage abgekühlt sind. Wenn Motor und Auspuffanlage heiß sind, können bestimmte Materialien sich entzünden oder schmelzen. Keine Plastikfolie als Staubschutz verwenden.

Eine undurchlässige Abdeckung schließt Feuchtigkeit um den Motor ein, und begünstigt damit Rost und Korrosion.

Wiederinbetriebnahme

Überprüfen Sie den Motor gemäß der Beschreibung im Abschnitt **KONTROLLEN VOR DEM BETRIEB** dieses Handbuchs (siehe Seite 3).

Falls der Kraftstoff während der Lagerungsvorbereitung abgelassen wurde, den Tank mit frischem Benzin füllen. Wenn Sie einen Reservekanister zum Tanken verwenden, achten Sie darauf, dass er immer mit frischem Benzin gefüllt ist. Benzin oxidiert und altert mit der Zeit, wodurch Startprobleme verursacht werden.

Wenn der Zylinder während der Lagerungsvorbereitung mit einem Ölfilm überzogen wurde, raucht der Motor beim Starten kurzzeitig. Dies ist normal.

TRANSPORT

Wenn der Motor in Betrieb war, muss man ihn mindestens 15 Minuten lang abkühlen lassen, bevor man die motorgetriebene Ausrüstung auf das Transportfahrzeug lädt. Wenn Motor und Auspuffanlage heiß sind, kann man sich verbrennen, und entzündliche Materialien in der näheren Umgebung können Feuer fangen.

Den Motor beim Transport waagrecht halten, um Auslaufen von Kraftstoff vorzubeugen. Den Kraftstoffhahnhebel auf AUS stellen (siehe Seite 5).

BEHEBUNG UNERWARTETER PROBLEME

MOTOR SPRINGT NICHT AN

Mögliche Ursache	Korrektur
Kraftstoffhahn in Stellung AUS.	Den Hebel auf EIN stellen.
Choke offen.	Den Hebel auf ZU stellen, sofern der Motor nicht warm ist.
Motorschalter AUS.	Den Motorschalter in Stellung EIN bringen.
Niedriger Motorölstand (Modelle mit Ölwarnsystem).	Das empfohlene Öl bis zum vorgeschriebenen Stand einfüllen (S. 8).
Kraftstoffmangel.	Nachtanken (S. 7).
Minderwertiger Kraftstoff: Motor ohne Vorbehandlung oder Entleeren des Kraftstoffs gelagert oder minderwertiger Kraftstoff getankt.	Kraftstofftank und Vergaser entleeren (S. 12). Frisches Benzin einfüllen (S. 7).
Zündkerze defekt oder verschmutzt oder falscher Elektrodenabstand.	Elektrodenabstand einstellen oder die Zündkerze austauschen (S. 11).
Zündkerze nass (Motor geflutet).	Die Zündkerze trocknen und wieder einbauen. Den Motor mit dem Gashebel auf MAX. starten.
Vergaserstörung, Zündungsstörung, festsitzende Ventile usw.	Den Motor zum Kundendienst bringen oder das Werkstatthandbuch hinzuziehen.

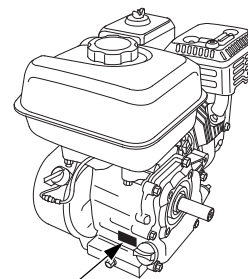
MOTORLEISTUNGSMANGEL

Mögliche Ursache	Korrektur
Filtereinsätze verstopft.	Einen schmutzigen Filtereinsatz reinigen oder austauschen (S. 9–10).
Minderwertiger Kraftstoff: Motor ohne Vorbehandlung oder Entleeren des Kraftstoffs gelagert oder minderwertiger Kraftstoff getankt.	Kraftstofftank und Vergaser entleeren (S. 12). Frisches Benzin einfüllen (S. 7).
Vergaserstörung, Zündungsstörung, festsitzende Ventile usw.	Den Motor zum Kundendienst bringen oder das Werkstatthandbuch hinzuziehen.

TECHNISCHE INFORMATION

Position der Seriennummer

Tragen Sie bitte die Motorseriennummer unten ein. Sie benötigen diese Information zur Bestellung von Ersatzteilen, bei technischen Fragen und bei Nachfragen zur Garantie.



POSITION DER SERIENNUMMER UND POSITION, ANGABEN ZUM MOTORTYP

Motorseriennummer: _____ – _____

Motortyp: _____

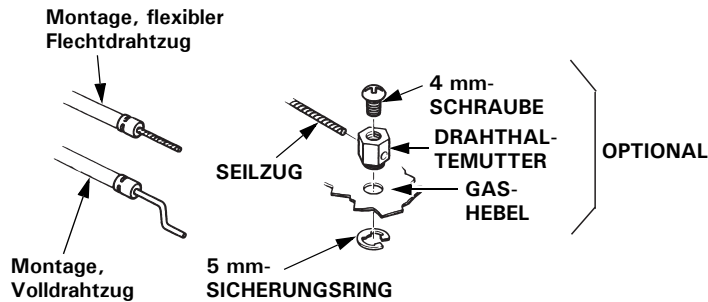
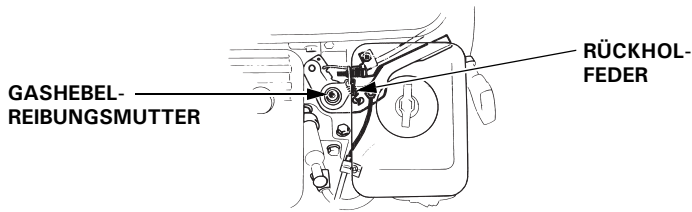
Kaufdatum: ____ / ____ / ____

Fernsteuergestänge

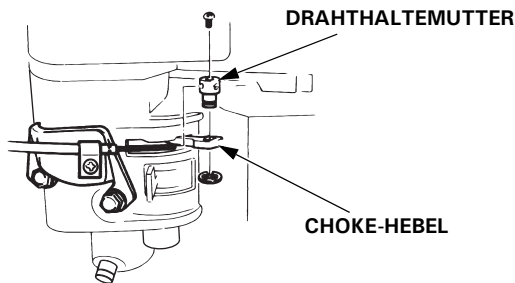
Gas- und Choke-Hebel sind mit Löchern für optionale Seilzugbefestigung versehen. Die folgenden Abbildungen zeigen Installationsbeispiele für einen Volldrahtzug und einen flexiblen Flechtdrahtzug. Bei Verwendung eines flexiblen Flechtdrahtzugs ist eine Rückholfeder anzubringen, wie gezeigt.

Bei Betätigung der Drosselklappe über fernmontierte Steuerung muss die Gashebel-Reibungsmutter gelöst werden.

FERNBEDIENMECHANIK FÜR GAS



FERNBEDIENMECHANIK FÜR CHOKE



Vergasermodifikationen für Betrieb in Höhenlagen

In Höhenlagen ist das Standard-Kraftstoff-Luftgemisch des Vergasers zu fett. Dies verursacht sowohl einen Leistungsverlust als auch erhöhten Kraftstoffverbrauch. Ein sehr fettes Gemisch führt auch zu einer Verschmutzung der Zündkerze und zu Startproblemen. Längerzeitiger Betrieb in einer Höhenlage, die nicht in den Bereich fällt, für den dieser Motor als geeignet befunden worden ist, kann erhöhte Emissionswerte zur Folge haben.

Die Motorleistung bei Betrieb in Höhenlagen kann durch entsprechende Vergasermodifikationen verbessert werden. Wenn der Motor stets in Höhenlagen über 1.500 m betrieben wird, lassen Sie diese Vergasermodifikationen von Ihrem Wartungshändler vornehmen. Wenn der Motor in Höhenlagen mit den entsprechenden Vergasermodifikationen betrieben wird, erfüllt er während seiner gesamten Lebensdauer jede Emissionsnorm.

Selbst bei Vergasermodifikation nimmt die Motorleistung pro 300 m Höhenzunahme um etwa 3,5 % ab. Ohne Vergasermodifikation ist die Auswirkung der Höhenlage auf die Motorleistung noch größer.

ACHTUNG

Wenn der Vergaser für Betrieb in Höhenlagen modifiziert worden ist, wird bei Betrieb in niedrigeren Lagen ein zu mageres Gemisch aufbereitet. Betrieb mit einem modifizierten Vergaser in Höhenlagen unter 1.500 m kann zu Motorheißlauf und schweren Motorschäden führen. Für Gebrauch in niedrigeren Höhen lassen Sie den Vergaser von Ihrem Wartungshändler auf die ursprünglichen Werkspezifikationen zurückstellen.

Technische Daten

GP160 (Ausführung S mit Zapfwelle, mit Kraftstofftank)

Länge × Breite × Höhe	306 × 363 × 335 mm
Trockenmasse [Gewicht]	14,9 kg
Motortyp	4-Takt, OHV (hängendes Ventil), Einzyylinder
Hubraum [Bohrung × Hub]	163 cm ³ [68,0 × 45,0 mm]
Nettleistung (nach SAE J1349*)	3,6 kW (4,9 PS) bei 3.600 U/min
Max. Nettodrehmoment (nach SAE J1349*)	10,3 N·m (1,05 kgf·m) bei 2.500 U/min
Motorölkapazität	0,58 L
Kraftstofftankinhalt	3,1 L
Kühlsystem	Gebläsekühlung
Zündsystem	Transistor-Magnetzündung
Drehrichtung der Zapfwelle	Gegen den Uhrzeigersinn
Betriebstemperaturbereich	-5°C–40°C

* Die Nennleistung des in diesem Dokument angegebenen Motors ist die Nettogleistung, die an einem Produktionsmotor für das Motormodell getestet und gemäß SAE J1349 bei 3.600 U/min (Nettleistung) und bei 2.500 U/min (Max. Nettodrehmoment) gemessen wurde. Massenproduktionsmotoren können von diesem Wert abweichen.

Die tatsächliche Leistung des im Endprodukt eingebauten Motors hängt von zahlreichen Faktoren ab, u. a. von der Betriebsdrehzahl des Motors im Einsatz, den Umweltbedingungen, der Wartung und anderen Variablen.

GP200 (Ausführung S mit Zapfwelle, mit Kraftstofftank)

Länge × Breite × Höhe	315 × 378 × 335 mm
Trockenmasse [Gewicht]	16,0 kg
Motortyp	4-Takt, OHV (hängendes Ventil), Einzyylinder
Hubraum [Bohrung × Hub]	196 cm ³ [68,0 × 54,0 mm]
Nettleistung (nach SAE J1349*)	4,3 kW (5,8 PS) bei 3.600 U/min
Max. Nettodrehmoment (nach SAE J1349*)	12,4 N·m (1,26 kgf·m) bei 2.500 U/min
Motorölkapazität	0,6 L
Kraftstofftankinhalt	3,1 L
Kühlsystem	Gebläsekühlung
Zündsystem	Transistor-Magnetzündung
Drehrichtung der Zapfwelle	Gegen den Uhrzeigersinn
Betriebstemperaturbereich	-5°C–40°C

* Die Nennleistung des in diesem Dokument angegebenen Motors ist die Nettogleistung, die an einem Produktionsmotor für das Motormodell getestet und gemäß SAE J1349 bei 3.600 U/min (Nettleistung) und bei 2.500 U/min (Max. Nettodrehmoment) gemessen wurde. Massenproduktionsmotoren können von diesem Wert abweichen.

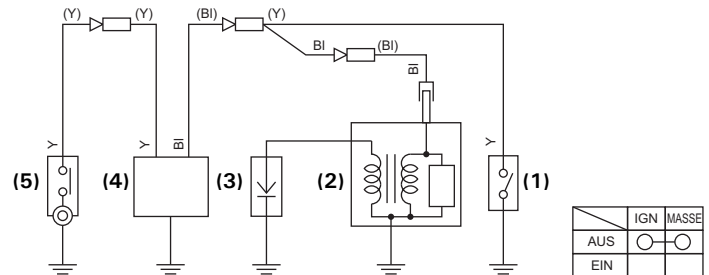
Die tatsächliche Leistung des im Endprodukt eingebauten Motors hängt von zahlreichen Faktoren ab, u. a. von der Betriebsdrehzahl des Motors im Einsatz, den Umweltbedingungen, der Wartung und anderen Variablen.

Einstellwerte GP160/200

POSITION	SPEZIFIKATION	WARTUNG
Elektrodenabstand	0,7 – 0,8 mm	Siehe Seite: 11
Ventilspiel (kalt)	EIN: 0,15 ± 0,02 mm AUS: 0,20 ± 0,02 mm	Wenden Sie sich an Ihren Wartungshändler.
Sonstige Daten	Keine weiteren Einstellungen erforderlich.	

Schaltschemata

Mit Oil Alert-System



- (1) MOTORSCHALTER
- (2) ZÜNDSPULE
- (3) ZÜNDKERZE
- (4) ÖLWARNEINHEIT
- (5) ÖLSTANDSCHALTER

Bl	Schwarz	Br	Braun
Y	Gelb	O	Orange
Bu	Blau	Lb	Hellblau
G	Grün	Lg	Hellgrün
R	Rot	P	Rosa
W	Weiß	Gr	Grau

VERBRAUCHERINFORMATION

VERTRIEB-/HÄNDLERSUCHINFORMATION

Besuchen Sie unsere Website: <http://www.honda-engines-eu.com>

KUNDENDIENSTINFORMATION

Das Wartungshändlerpersonal besteht aus geschulten Fachkräften. Sie können kompetente Antworten auf alle Ihre Fragen erwarten. Falls Sie ein Problem haben, das bei Ihrem Händler nicht zufrieden stellend gelöst wird, diskutieren Sie es bitte mit dem Management des Betriebs. Der Wartungsmanager, Geschäftsführer oder Besitzer kann helfen. Fast alle Probleme können so gelöst werden.

Falls Sie mit der vom Management des Händlerbetriebs getroffenen Entscheidung nicht zufrieden sind, wenden Sie sich an die Honda-Geschäftsstelle, wie angegeben.

< Honda-Geschäftsstelle >

Wenn Sie schreiben oder anrufen, geben Sie bitte diese Informationen an:

- Name des Ausrüstungsherstellers und Modellnummer der Ausrüstung, an der der Motor montiert ist
- Motormodell, Seriennummer und Typ (siehe Seite 13)
- Name des Händlers, bei dem Sie den Motor gekauft haben
- Name, Adresse und Kontaktperson des Händlers, der Ihren Motor wartet
- Kaufdatum
- Ihr Name, Ihre Adresse und Ihre Telefonnummer
- Ausführliche Beschreibung des Problems

Honda Motor Europe Logistics NV.
European Engine Center

<http://www.honda-engines-eu.com>

Lassen Sie sich bitte vom in Ihrem Gebiet zuständigen Honda-Vertriebshändler beraten.

INTRODUCCIÓN

Muchas gracias por la adquisición de un motor Honda. Nos gustaría ayudarle a obtener los mejores resultados con su nuevo motor y a operarlo con seguridad. Este manual contiene información para ello; léalo detenidamente antes de poner en funcionamiento el motor. En el caso de producirse algún problema, o si tuviese alguna pregunta acerca de su motor, póngase en contacto con un concesionario de servicio.

Toda la información de esta publicación se basa en la información más reciente disponible en el momento de la impresión. Honda Motor Co., Ltd. se reserva el derecho a efectuar cambios en cualquier momento sin previo aviso y sin incurrir en ningún tipo de obligación. No se permite la reproducción de ninguna parte de esta publicación sin permiso por escrito.


Este manual debe considerarse como una parte permanente del motor y debe permanecer con el motor en caso de reventa.

Le aconsejamos que lea el contrato de garantía para que comprenda su alcance y sus responsabilidades de propiedad.

Revise las instrucciones suministradas con el equipo que funcionará con este motor para encontrar información adicional sobre la puesta en marcha del motor, parada, operación, ajustes, o instrucciones especiales para el mantenimiento.

MENSAJES DE SEGURIDAD

Su seguridad y la de los demás son muy importantes. Hemos incluido mensajes de seguridad importantes en este manual y en el motor. Lea detenidamente estos mensajes.

Un mensaje de seguridad le avisa sobre los peligros potenciales que podrían causarle lesiones a usted y a los demás. Cada mensaje de seguridad viene precedido por un símbolo de alerta de seguridad  y una de las tres palabras, PELIGRO, ADVERTENCIA o PRECAUCIÓN.

Estas palabras de indicación significan:

PELIGRO

MUERTE o LESIONES GRAVES SEGURAS en caso de no seguir las instrucciones.

ADVERTENCIA

POSIBILIDAD de MUERTE o de LESIONES GRAVES en caso de no seguir las instrucciones.

PRECAUCIÓN

POSIBILIDAD de LESIONES en caso de no seguir las instrucciones.

Cada mensaje le explica en qué consiste el peligro, lo que puede suceder, y lo que usted debe hacer para evitar las heridas o para reducirlas.

MENSAJES PARA PREVENCIÓN DE DAÑOS

Encontrará también otros mensajes importantes que vienen precedidos por la palabra AVISO.

Esta palabra significa:

AVISO

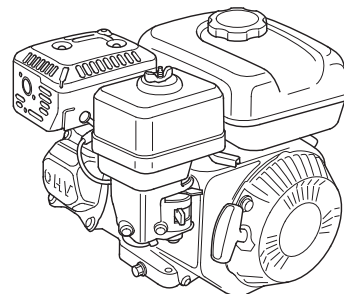
Pueden producirse daños en el motor o en la propiedad de terceras personas si no sigue las instrucciones.

El propósito de estos mensajes es el de ayudar a evitar daños en el motor, en la propiedad de terceras personas, o en medio ambiente.

HONDA

MANUAL DEL PROPIETARIO

GP160 • GP200



Las ilustraciones mostradas se basan principalmente en: TDF de eje tipo S, con depósito de combustible

- La ilustración puede variar de acuerdo con el tipo.

CONTENIDO

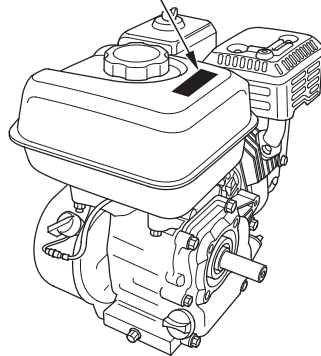
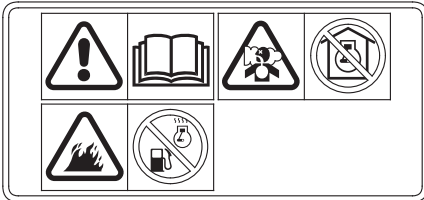
INTRODUCCIÓN.....	1	FILTRO DE AIRE	9
MENSAJES DE SEGURIDAD	1	Inspección	9
INFORMACIÓN DE		Limpieza	9
SEGURIDAD	2	BUJÍA	11
SITUACIÓN DE LAS ETIQUETAS		SUGERENCIAS Y	
DE SEGURIDAD	2	OBSERVACIONES DE	
SITUACIONES DE LOS		UTILIDAD.....	11
COMPONENTES Y		ALMACENAJE DEL	
CONTROLES.....	2	MOTOR	11
CARACTERÍSTICAS.....	3	TRANSPORTE	12
COMPROBACIONES PREVIAS		CUIDADOS PARA PROBLEMAS	
A LA OPERACIÓN	3	INESPERADOS.....	13
PRECAUCIONES.....	4	INFORMACIÓN TÉCNICA	13
DE SEGURIDAD DURANTE LA		Situación del número	
OPERACIÓN	4	de serie	13
ARRANQUE DEL MOTOR.....	4	Enlace de control remoto	14
PARADA DEL MOTOR	5	Modificaciones del	
AJUSTE DE LA VELOCIDAD		carburador para funcionar	
DEL MOTOR.....	5	a gran altitud.....	14
SERVICIO DE SU MOTOR.....	6	Especificaciones	15
LA IMPORTANCIA DEL		Especificaciones para la	
MANTENIMIENTO	6	puesta a punto	15
SEGURIDAD DEL		Diagramas de conexiones.....	15
MANTENIMIENTO	6	INFORMACIÓN DEL	
PRECAUCIONES DE		CONSUMIDOR.....	16
SEGURIDAD	6	INFORMACIÓN PARA	
PROGRAMA DE		ENCONTRAR	
MANTENIMIENTO	6	DISTRIBUIDORES/	
REPOSTAJE	7	CONCESIONARIOS	16
ACEITE DE MOTOR.....	7	INFORMACIÓN DE SERVICIO	
Aceite recomendado	7	PARA CLIENTES	16
Comprobación del nivel			
de aceite	8		
Cambio del aceite	8		

INFORMACIÓN DE SEGURIDAD

- Comprenda el funcionamiento de todos los controles y aprenda a parar con rapidez el motor en un caso de emergencia. Asegúrese de que el operador haya recibido una instrucción adecuada antes de operar el equipo.
- No permita que los niños operen el motor. Mantenga a los niños y animales apartados del lugar de operación.
- Los gases de escape del motor contienen monóxido de carbono que es venenoso.
No ponga en marcha el motor si no hay una ventilación adecuada, y no ponga nunca en marcha el motor en un lugar cerrado.
- El motor y el sistema de escape se calientan mucho durante la operación.
Durante su funcionamiento, mantenga el motor al menos a un metro de distancia de los edificios y de otros equipos. Mantenga apartados los materiales inflamables, y no ponga nada sobre el motor mientras esté en marcha.

SITUACIÓN DE LAS ETIQUETAS DE SEGURIDAD

Esta etiqueta le avisa sobre peligros potenciales que pueden ocasionar heridas graves. Léala con atención. Si se despegla la etiqueta o resulta difícil de leer, solicite a su concesionario de servicio que la reemplace.



La gasolina es muy inflamable y explosiva. Pare el motor y espere a que se enfríe antes de repostar.

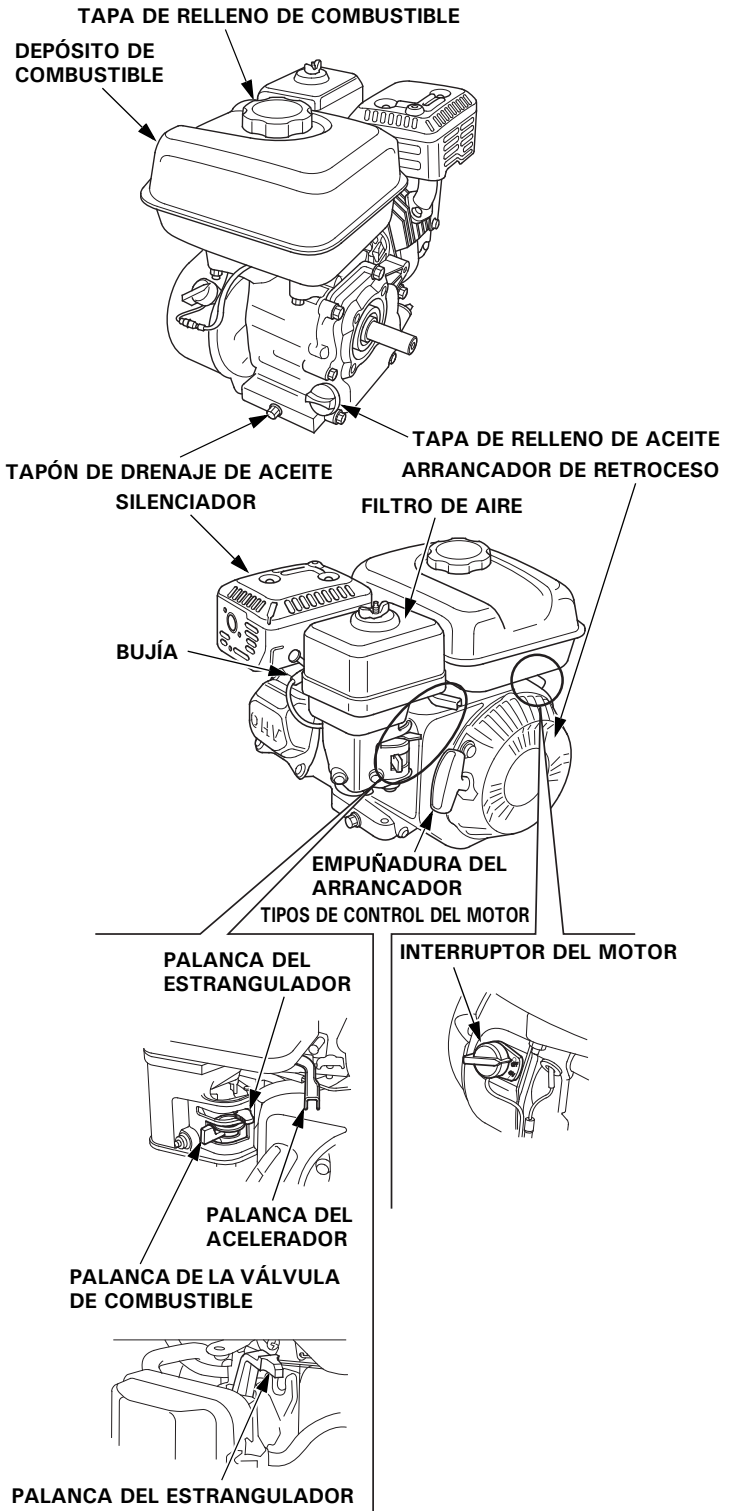


El motor emite gas monóxido de carbono que es tóxico y venenoso. No lo tenga en marcha en un lugar cerrado.



Lea el Manual del propietario antes de la operación.

SITUACIONES DE LOS COMPONENTES Y CONTROLES



CARACTERÍSTICAS

SISTEMA DE ALERTA DEL ACEITE (tipos aplicables)

El sistema de alerta de aceite Oil Alert está diseñado para evitar daños en el motor causados por una cantidad insuficiente de aceite en el cárter. Antes de que el nivel de aceite del cárter pueda caer por debajo de un límite de seguridad, el sistema de alerta de aceite Oil Alert hará sonar un zumbador, para avisarle que debe añadirse aceite al motor.

Si el motor se para y no vuelve a arrancar, compruebe el nivel del aceite de motor, (vea la página 8) antes de realizar la localización y reparación de averías en otras partes.

COMPROBACIONES PREVIAS A LA OPERACIÓN

¿ESTÁ PREPARADO EL MOTOR PARA FUNCIONAR?

Por su propia seguridad, para asegurar el cumplimiento de las regulaciones medioambientales y para maximizar la vida de servicio de su equipo, es muy importante emplear un poco de tiempo para comprobar el estado del motor antes de ponerlo en funcionamiento. Antes de poner en marcha el motor, deberá asegurarse de haber solucionado cualquier problema encontrado, o de solicitar a su concesionario de servicio que lo solucione.

ADVERTENCIA

Si no se realiza un mantenimiento correcto de este motor, o si no se corrige un problema antes de la operación, se puede producir una avería importante.

Algunas averías pueden provocar lesiones graves o la muerte.

Efectúe siempre la inspección previa a la operación antes de cada operación, y solucione los problemas encontrados.

Antes de comenzar las comprobaciones previas a la operación, asegúrese de que el motor esté nivelado y que el interruptor del motor esté en la posición OFF.

Compruebe siempre los elementos siguientes antes de poner en marcha el motor:

Comprobación del estado general del motor

1. Mire en torno al motor y debajo del mismo para ver si hay indicios de fugas de aceite o de gasolina.
2. Extraiga el polvo o la suciedad excesiva, especialmente en torno al silenciador y al arrancador de retroceso.
3. Busque si hay indicios de daños.
4. Compruebe que todos los protectores y cubiertas estén en su lugar, y que todas las tuercas, pernos, y tornillos estén apretados.

Comprobación del motor

1. Compruebe el nivel de combustible (vea la página 7). Si comienza el trabajo con el depósito lleno, le ayudará a eliminar o reducir las interrupciones de la operación para repostar.
2. Compruebe el nivel del aceite de motor (vea la página 8). El motor puede dañarse si se utiliza con un nivel bajo de aceite.

El sistema de alerta de aceite Oil Alert (tipos aplicables) parará automáticamente el motor antes de que el nivel de aceite caiga por debajo de los límites de seguridad. Sin embargo, para evitar la inconveniencia de una parada inesperada, compruebe siempre el nivel de aceite de motor antes de empezar.

3. Compruebe el elemento del filtro de aire (vea la página 9). Un elemento del filtro de aire sucio restringirá el flujo de aire al carburador, reduciendo el rendimiento del motor.
4. Compruebe el equipo que deba funcionar con este motor.

Revise las instrucciones proporcionadas con el equipo que deba funcionar con este motor para ver si hay precauciones y procedimientos que deban seguirse antes de poner en marcha el motor.

PRECAUCIONES

DE SEGURIDAD DURANTE LA OPERACIÓN

Antes de poner en marcha el motor por primera vez, revise la sección **INFORMACIÓN DE SEGURIDAD** en la página 2 y **COMPROBACIONES PREVIAS A LA OPERACIÓN** en la página 3.

Por su propia seguridad, no opere el motor en lugares cerrados como por ejemplo dentro de un garaje. Los gases de escape del motor contienen monóxido de carbono que es un gas que se acumula con rapidez en lugares cerrados y que causa mal estar o incluso la muerte.

⚠ ADVERTENCIA

Los gases de escape contienen gas venenoso de monóxido de carbono que puede acumularse hasta niveles peligrosos en lugares cerrados.

Si aspira monóxido de carbono correrá el peligro de pérdida del sentido o de muerte.

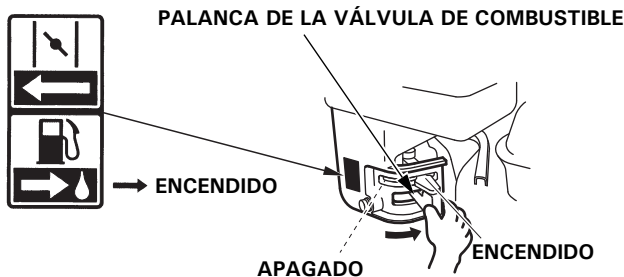
No ponga nunca en marcha el motor de este producto en un lugar cerrado, ni parcialmente cerrado en el que pueda haber gente.

Revise las instrucciones proporcionadas con el equipo que deba funcionar con este motor para ver si hay precauciones de seguridad que deban observarse para poner en marcha, parar, u operar el motor.

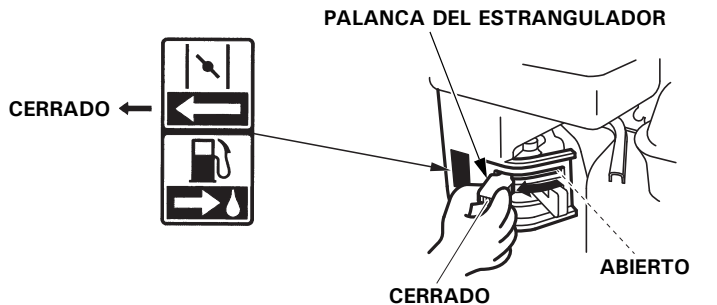
No opere el motor en cuestas superiores a 20° (36%).

ARRANQUE DEL MOTOR

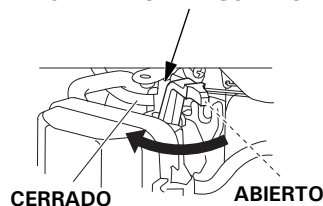
1. Mueva la palanca de la válvula del combustible a la posición ON.



2. Para arrancar el motor cuando está frío, mueva la palanca del estrangulador o la varilla del estrangulador (tipos aplicables) a la posición CERRADO.



PALANCA DEL ESTRANGULADOR

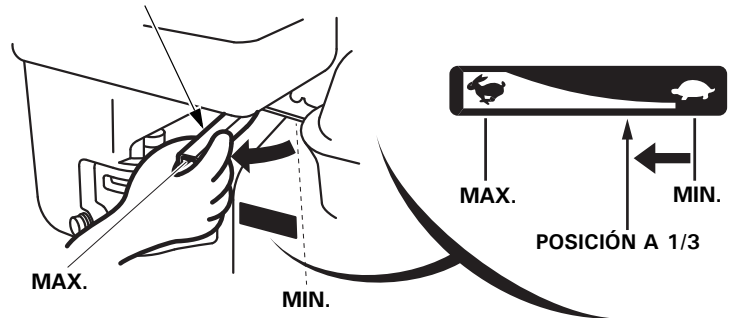


Para arrancar el motor cuando está caliente, deje la palanca del estrangulador o la varilla del estrangulador en la posición OPEN.

Algunas aplicaciones del motor emplean un control del estrangulador montado a distancia en lugar de la palanca del estrangulador montada en el motor aquí mostrada. Consulte las instrucciones suministradas por el fabricante del equipo.

3. Aleje la palanca del acelerador de la posición MIN., moviéndola aproximadamente 1/3 parte del recorrido hacia la posición MAX.

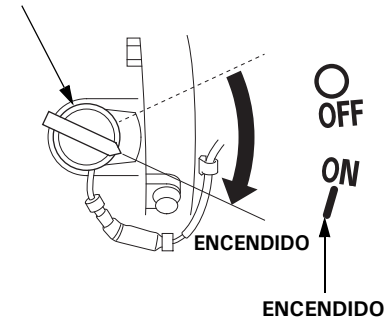
PALANCA DEL ACELERADOR



Algunas aplicaciones del motor emplean un control del acelerador montado a distancia en lugar de la palanca del acelerador montada en el motor aquí mostrada. Consulte las instrucciones suministradas por el fabricante del equipo.

4. Gire el interruptor del motor a la posición ON.

INTERRUPTOR DEL MOTOR

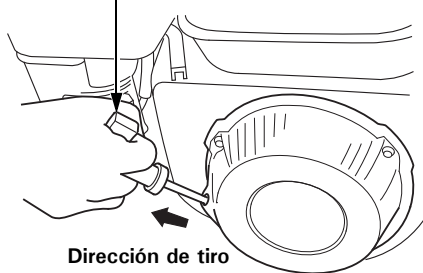


5. Opere el arrancador.

ARRANCADOR DE RETROCESO

Tire ligeramente de la empuñadura del arrancador hasta notar resistencia, y entonces tire con fuerza en la dirección de la flecha como se muestra abajo. Deje que la empuñadura del arrancador retorne con suavidad.

EMPUÑADURA DEL ARRANCADOR



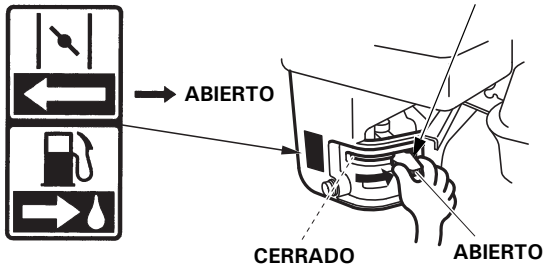
AVISO

No permita que la empuñadura del arrancador retroceda con fuerza contra el motor.

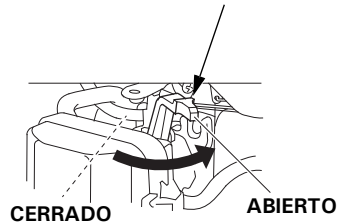
Haga que retorne con suavidad para evitar daños en el arrancador.

6. Si se ha movido la palanca del estrangulador o la varilla del estrangulador (tipos aplicables) a la posición CERRADO para arrancar el motor, muévala gradualmente a la posición ABIERTO a medida que se va calentando el motor.

PALANCA DEL ESTRANGULADOR



PALANCA DEL ESTRANGULADOR



PARADA DEL MOTOR

Para parar el motor en un caso de emergencia, simplemente gire el interruptor del motor a la posición OFF. En situaciones normales, emplee el procedimiento siguiente. Consulte las instrucciones suministradas por el fabricante del equipo.

1. Mueva totalmente la palanca del acelerador a la posición MIN.

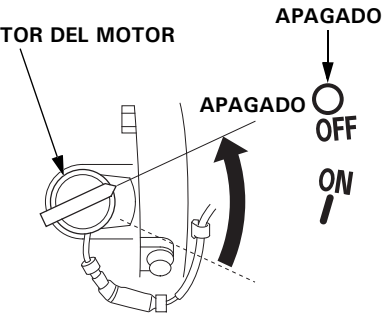
Algunas aplicaciones del motor emplean un control del acelerador montado a distancia en lugar de la palanca del acelerador montada en el motor aquí mostrada.

PALANCA DEL ACELERADOR



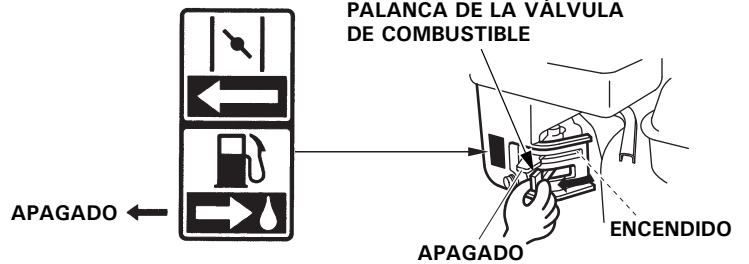
2. Gire el interruptor del motor a la posición OFF.

INTERRUPTOR DEL MOTOR



3. Mueva la palanca de la válvula de combustible a la posición OFF.

PALANCA DE LA VÁLVULA DE COMBUSTIBLE



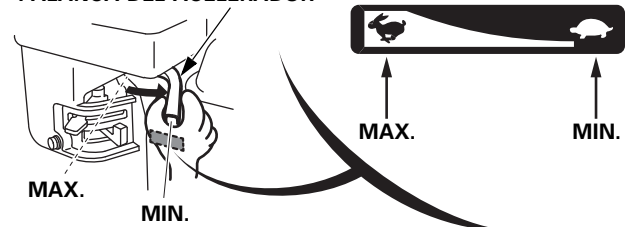
AJUSTE DE LA VELOCIDAD DEL MOTOR

Ajuste la palanca del acelerador a la velocidad deseada del motor.

Algunas aplicaciones del motor emplean un control del acelerador montado a distancia en lugar de la palanca del acelerador montada en el motor aquí mostrada. Consulte las instrucciones suministradas por el fabricante del equipo.

Para ver las recomendaciones de la velocidad del motor, consulte el manual de instrucciones suministrado con el equipo que deba funcionar con este motor.

PALANCA DEL ACELERADOR



SERVICIO DE SU MOTOR

LA IMPORTANCIA DEL MANTENIMIENTO

El buen mantenimiento es esencial para conseguir una operación segura, económica, y exenta de problemas. Ayudará también a reducir la contaminación.

⚠ ADVERTENCIA

Si no se realiza un mantenimiento correcto de este motor, o si no se corrige un problema antes de la operación, se puede producir una avería importante.

Algunas averías pueden provocar lesiones graves o la muerte.

Siga siempre las recomendaciones de inspección y mantenimiento y los programas de este manual del propietario.

Para ayudarle a cuidar adecuadamente el motor, las páginas siguientes incluyen un programa de mantenimiento, procedimientos de inspección rutinarios, y simple procedimientos de mantenimiento empleando herramientas manuales básicas. Las otras tareas de servicio que son más difíciles, o que requieren herramientas especiales, es mejor que sean realizadas por profesionales y normalmente las lleva a cabo un mecánico de Honda u otro mecánico cualificado.

El programa de mantenimiento se aplica a las condiciones normales de operación. Si opera el motor en condiciones severas, tales como con una carga elevada continua o a altas temperaturas, o si lo utiliza en condiciones con mucha humedad o polvo, consulte a su concesionario de servicio para que le proporcione las recomendaciones aplicables a sus necesidades y aplicaciones individuales.

Emplee solamente partes originales Honda Genuine o sus equivalentes. La utilización de piezas de recambio que no sean de una calidad equivalente podría dañar el motor.

SEGURIDAD DEL MANTENIMIENTO

A continuación se mencionan algunas de las precauciones de seguridad más importantes. No obstante, no podemos avisarle sobre todos los peligros concebibles que pueden surgir al realizar el mantenimiento. Solamente usted puede decidir si debe realizar un trabajo determinado.

⚠ ADVERTENCIA

El mantenimiento inadecuado puede provocar una falta de seguridad.

Si no sigue correctamente las instrucciones y precauciones para el mantenimiento, correrá el peligro de graves heridas o de muerte.

Siga siempre con cuidado los procedimientos y precauciones de este manual del propietario.

PRECAUCIONES DE SEGURIDAD

- Asegúrese de que el motor esté desconectado antes de comenzar cualquier trabajo de mantenimiento o de reparación. Para evitar el arranque involuntario, desconecte la tapa de la bujía. De este modo eliminará muchos peligros potenciales:
 - **Envenenamiento por monóxido de carbono del escape del motor.** Accionar en exteriores alejados de ventanas o puertas abiertas.
 - **Quemaduras por piezas calientes.** Espere a que se enfríen el motor y el sistema de escape antes de tocarlos.
 - **Daños debidos a las piezas en movimiento.** No ponga en marcha el motor a menos que se lo indiquen las instrucciones.
- Lea las instrucciones antes de empezar, y asegúrese de disponer de las herramientas y conocimientos necesarios.
- Para reducir la posibilidad de incendio o explosión, tenga cuidado cuando trabaje cerca de gasolina. Emplee sólo solventes ininflamables, y no emplee gasolina, para limpiar las partes. Mantenga apartados los cigarrillos, las chispas y el fuego de las partes relacionadas con el combustible.

Recuerde que su concesionario de servicio autorizado Honda es quien mejor conoce su motor y que está completamente equipado para su mantenimiento y reparación.

Para asegurar la mejor calidad y fiabilidad, emplee sólo partes nuevas originales Honda Genuine o sus equivalentes para las reparaciones y reemplazos.

PROGRAMA DE MANTENIMIENTO

PERIODOS REGULARES DE SERVICIO (1) Efectuar en cada uno de los intervalos en meses u horas de funcionamiento indicados, lo que se produzca antes.	Cada Uso	Primer Mes o 20 Hrs	Cada 3 Meses o 50 Hrs	Cada 6 Meses o 100 Hrs	Cada Año o 300 Hrs	Consulte la Página
ELEMENTO						
Aceite del motor	Comprobar nivel	o				8
	Cambiar		o	o		8
Filtro de aire	Comprobar	o				9-10
	Limpiar			o (2)		9-10
	Sustituir				o*	
Bujía	Comprobar-ajustar			o		11
	Sustituir				o	
Velocidad de ralentí	Comprobar-ajustar				o (3)	Manual de taller
Holgura de las válvulas	Comprobar-ajustar				o (3)	Manual de taller
Cámara de combustión	Limpiar	Cada 500 Hrs. (3)				Manual de taller
Depósito y filtro de combustible	Limpiar			o (3)		Manual de taller
Tubo de combustible	Comprobar	Cada 2 años (Sustituir si es necesario) (3)				Manual de taller

* Sustituir solo tipo con elemento de papel.

- (1) Para aplicaciones comerciales, registre las horas de operación para poder determinar los intervalos adecuados de mantenimiento.
- (2) Realice el servicio con mayor frecuencia cuando lo utilice en zonas polvorientas.
- (3) El servicio de estas partes deberá realizarlo su concesionario de servicio, a menos que usted disponga de las herramientas adecuadas y posea suficientes conocimientos mecánicos. Para ver los procedimientos de servicio, consulte el manual de taller Honda.

Si no sigue este programa de mantenimiento pueden producirse fallos que no estarán cubiertos por la garantía.

REPOSTAJE

Combustible recomendado

Gasolina sin plomo
91 octanos de investigación o superior
86 octanos de bomba o superior

Este motor está homologado para funcionar con gasolina sin plomo con un valor de octanos de investigación de 91 o más alto (un valor de octanos de bomba de 86 o más alto).

Repostar en áreas bien ventiladas con el motor detenido. Si el motor ha estado funcionando, espere primero a que se enfríe. No repueste nunca el motor dentro de un edificio donde los gases de la gasolina pudieran llegar a fuegos o chispas.

Podrá emplear gasolina sin plomo con un contenido máximo del 10% de etanol (E10) o del 5% de metanol por volumen. Adicionalmente, el metanol debe contener cosolventes e inhibidores contra la corrosión. El empleo de combustible con un contenido de etanol o de metanol mayor que el indicado arriba puede ocasionar problemas en el arranque y/o en el funcionamiento. También puede causar daños en las partes metálicas, de goma, y de plástico del sistema de combustible. Los daños del motor o los problemas de funcionamiento debidos al empleo de un combustible con porcentajes de etanol o metanol mayores que los indicados arriba no están cubiertos por la Garantía.

Si su equipo se utiliza con poca frecuencia o de forma intermitente, consulte la sección sobre el "Combustible" del capítulo 'ALMACENAJE DEL MOTOR' (vea la página 11) para encontrar más información sobre el deterioro del combustible.

No utilice nunca gasolina en mal estado, contaminada o mezclada con aceite. Evite la entrada de suciedad o agua en el depósito de combustible.

⚠ ADVERTENCIA

La gasolina es muy inflamable y explosiva, y correrá el peligro de quemaduras o de heridas graves al repostar.

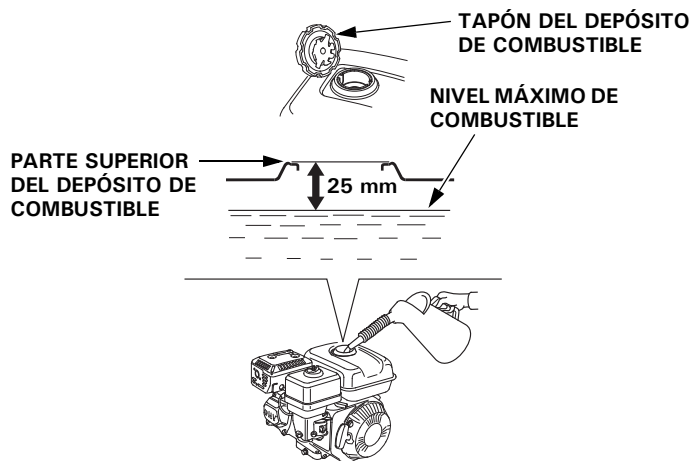
- Pare el motor y espere a que se enfríe antes de repostar.
- Mantenga apartados el calor, las chispas, y el fuego.
- Reposte sólo al aire libre.
- Frote inmediatamente el líquido derramado.

AVISO

El combustible puede dañar la pintura y ciertos tipos de plástico. Tenga cuidado para que no se derrame combustible mientras llena el depósito de combustible. La garantía no cubre daños causados por el derrame de combustible.

Para repostar, consulte las instrucciones del fabricante suministradas con el equipo. Consulte lo siguiente para ver las instrucciones para repostar el depósito de combustible estándar suministrado por Honda.

1. Con el motor parado y sobre una superficie nivelada, extraiga la tapa de relleno de combustible y compruebe el nivel del combustible. Llene el depósito si el nivel de combustible es bajo.
2. Añada combustible hasta el nivel máximo del depósito de combustible. No llene por completo el depósito de combustible. No llene excesivamente. Frote el combustible que se haya derramado antes de arrancar el motor.



3. Repueste con cuidado para que no se derrame combustible. Llene el depósito hasta aproximadamente 25 mm por debajo de la parte superior del depósito de combustible para permitir la expansión del combustible. Es posible que sea necesario reducir el nivel del combustible dependiendo de las condiciones de operación. Después de repostar, apriete con seguridad la tapa de relleno de combustible.

Mantenga la gasolina apartada de las luces piloto de los aparatos, barbacoas, aparatos eléctricos, herramientas eléctricas, etc.

El combustible derramado no sólo le hará correr el peligro de incendio, sino que además causa daños en el medio ambiente. Frote inmediatamente el líquido derramado.

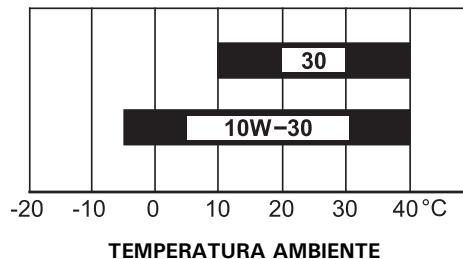
ACEITE DE MOTOR

El aceite es uno de los principales factores que afectan al rendimiento y a la vida útil.

Utilice aceite detergente para automóviles de 4 tiempos.

Aceite recomendado

Emplee aceite de motor de 4 tiempos que satisfaga o exceda los requisitos para la categoría de servicio API de SE o posterior (o equivalente). Compruebe siempre la etiqueta de servicio API del recipiente de aceite para asegurarse que incluye las letras SE o posterior (o equivalente).



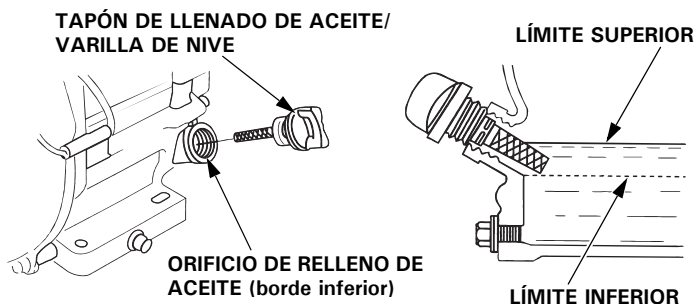
Se recomienda el SAE 10W-30 para aplicaciones generales. Las otras viscosidades mostradas en la gráfica pueden utilizarse cuando la temperatura media de su zona está dentro del margen indicado.

Lávese las manos con agua y jabón después de haber manipulado aceite usado.

Comprobación del nivel de aceite

Compruebe el nivel del aceite de motor con el motor parado y en una posición nivelada.

1. Extraiga la tapa de relleno/varilla de medición del nivel de aceite y frótelas para limpiarla.
2. Inserte la tapa de relleno/varilla de medición del nivel de aceite en el cuello de relleno como se muestra, pero no la enrosque, y luego extráigala para comprobar el nivel de aceite.
3. Si el nivel de aceite está cerca o por debajo de la marca del límite inferior de la varilla de medición del nivel, llene aceite del recomendado (vea la página 7) hasta la marca del límite superior (borde inferior del orificio de relleno de aceite). No llene excesivamente.
4. Vuelva a instalar la tapa de relleno/varilla de medición del nivel de aceite.



AVISO

El motor puede dañarse si se utiliza con un nivel bajo de aceite. Este tipo de daños no está cubierto por la garantía.

El sistema de alerta de aceite Oil Alert (tipos aplicables) parará automáticamente el motor antes de que el nivel de aceite caiga por debajo del límite de seguridad. Sin embargo, para evitar la inconveniencia de una parada inesperada, compruebe siempre el nivel de aceite de motor antes de empezar.

Cambio del aceite

Drene el aceite usado cuando el motor esté caliente. El aceite caliente se drena con más rapidez y por completo.

1. Ponga un recipiente adecuado debajo del motor para recibir el aceite usado, y extraiga entonces la tapa de relleno/varilla de medición del nivel de aceite, el tapón de drenaje de aceite y la arandela.
2. Deje que el aceite usado se drene por completo, y vuelva a instalar entonces el tapón de drenaje de aceite y una arandela de sellado nueva, y apriete con seguridad el tapón de drenaje de aceite.
3. Con el motor en una posición nivelada, llene aceite del recomendado (vea la página 7) hasta la marca del límite superior (parte inferior del orificio de relleno de aceite) de la varilla de medición del nivel.

Capacidad del aceite del motor: GP160: 0,58 L
GP200: 0,6 L

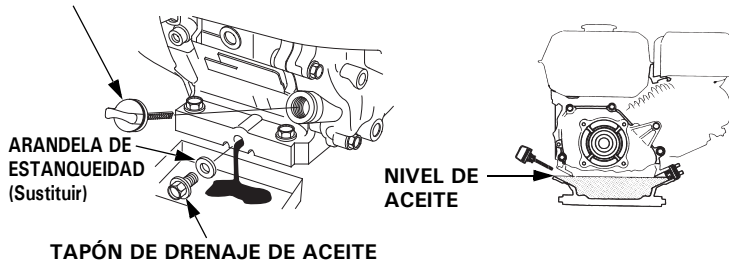
AVISO

El motor puede dañarse si se utiliza con un nivel bajo de aceite. Este tipo de daños no está cubierto por la garantía.

El sistema de alerta de aceite Oil Alert (tipos aplicables) parará automáticamente el motor antes de que el nivel de aceite caiga por debajo del límite de seguridad. Sin embargo, para evitar la inconveniencia de una parada inesperada, llene hasta el límite superior, y compruebe con regularidad el nivel del aceite.

4. Instale la tapa de relleno/varilla de medición del nivel de aceite y apriétela con seguridad.

TAPÓN DE LLENADO DE ACEITE/ VARILLA DE NIVEL



Lávese las manos con agua y jabón después de haber manipulado aceite usado.

AVISO

Tire el aceite de motor usado de manera que sea compatible con el medio ambiente. Sugerimos que la lleven en un contenedor sellado hasta la estación de servicio local para reciclaje. No lo tire a la basura, no lo derrame al suelo, ni lo vierta por una alcantarilla.

FILTRO DE AIRE

Un filtro de aire sucio restringirá el flujo de aire al carburador, reduciendo el rendimiento del motor. Si utiliza el motor en lugares muy polvorientos, limpie el filtro de aire con mayor frecuencia que la que se especifica en el *PROGRAMA DE MANTENIMIENTO* (vea la página 6).

AVISO

Si se pone en funcionamiento el motor sin el filtro de aire, o con un filtro de aire dañado, la suciedad se introducirá en el motor, ocasionando su rápido desgaste. Este tipo de daños no está cubierto por la garantía.

Inspección

Extraiga la cubierta del filtro de aire e inspeccione los elementos del filtro. Limpie o reemplace los elementos sucios del filtro. Reemplace siempre los elementos del filtro si están dañados. Si está provisto de un filtro de aire de baño en aceite, compruebe también el nivel de aceite.

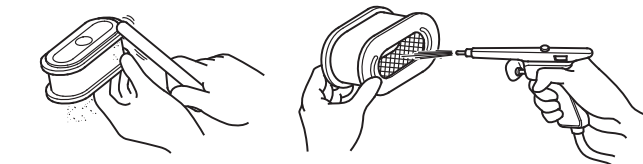
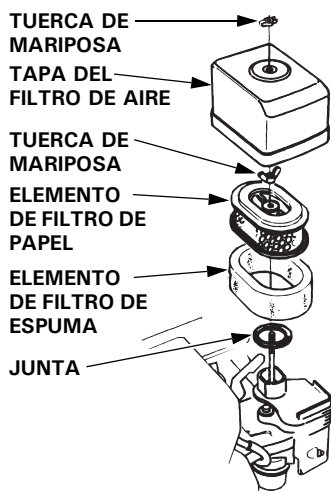
Para ver las instrucciones que se aplican al elemento y al filtro de aire de su tipo de motor, consulte las páginas 9–10.

Limpieza

[Tipos de filtro de elemento doble]

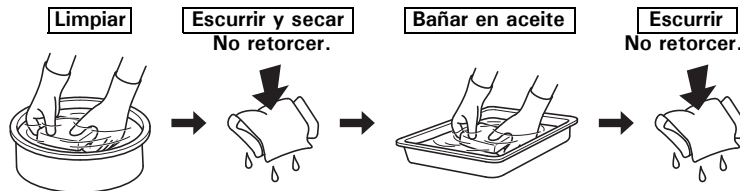
1. Extraiga la tuerca de aletas de la cubierta del filtro de aire y extraiga la cubierta.
2. Extraiga la tuerca de aletas del filtro de aire, y extraiga los elementos del filtro.
3. Extraiga el elemento de espuma del filtro del elemento de papel del filtro.
4. Inspeccione los dos elementos del filtro, y reemplácelos si están dañados. Reemplace siempre el elemento de papel del filtro a los intervalos programados (vea la página 6).
5. Limpie los elementos del filtro de aire si debe volver a utilizarlos.

TIPO DE FILTRO DE ELEMENTO DOBLE



Elemento del filtro de papel: Golpee varias veces el elemento del filtro contra una superficie dura para sacar la suciedad, o sople aire comprimido [sin exceder 207 kPa, (2,1 kgf/cm²)] por el elemento del filtro desde el interior. No trate nunca de cepillar la suciedad; el cepillo forzaría la suciedad al interior de las fibras.

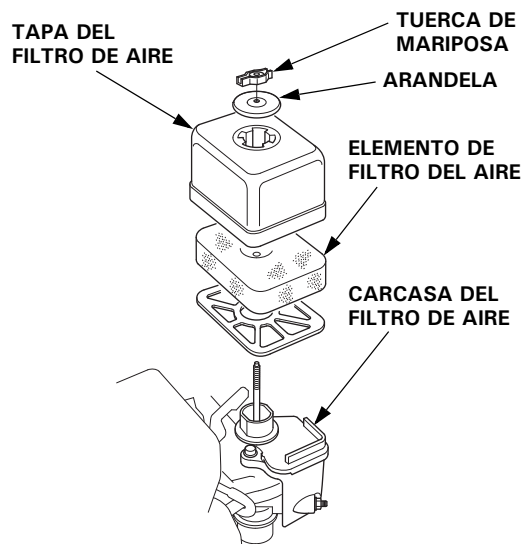
Elemento del filtro de espuma: Límpielo en agua tibia con jabón, aclárelo y espere a que se seque por completo. También podrá limpiarlo en solvente ininflamable y dejarlo secar. Sumerja el elemento del filtro en aceite de motor limpio, y luego exprima todo el aceite excesivo. Si se deja demasiado aceite en la espuma, el motor producirá humo cuando se arranque.



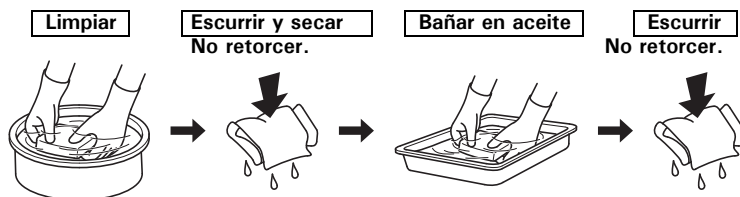
6. Frote la suciedad desde el interior de la cubierta del filtro de aire y la cubierta empleando un paño humedecido. Tenga cuidado para evitar que la suciedad se introduzca en el conducto de aire que va al carburador.
7. Ponga el elemento de espuma del filtro sobre el elemento de papel, y vuelva a instalar el filtro de aire montado. Asegúrese de que la empaquetadura esté en su lugar de debajo del filtro de aire. Apriete con seguridad la tuerca de aletas del filtro de aire.
8. Instale la cubierta del filtro de aire, y apriete con seguridad la tuerca de aletas.

[Tipos con elemento semi-seco]

1. Desenrosque la tuerca de mariposa, extraiga la arandela y la tapa del filtro de aire.
2. Extraiga el elemento del filtro de aire de la caja del filtro de aire.
3. Inspeccione el elemento del filtro de aire y sustitúyalo si está dañado.



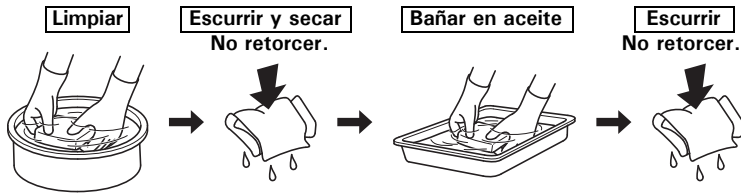
4. Limpie el elemento del filtro de aire si va a volver a usarse.



5. Frote la suciedad desde el interior de la cubierta del filtro de aire y la cubierta empleando un paño humedecido. Tenga cuidado para evitar que la suciedad se introduzca en el conducto de aire que va al carburador.
6. Instale el elemento del filtro de aire en la caja del filtro de aire.
7. Monte la tapa del filtro del aire y la arandela.
8. Enrosque con seguridad la tuerca de aletas.

[Tipos de baño en aceite]

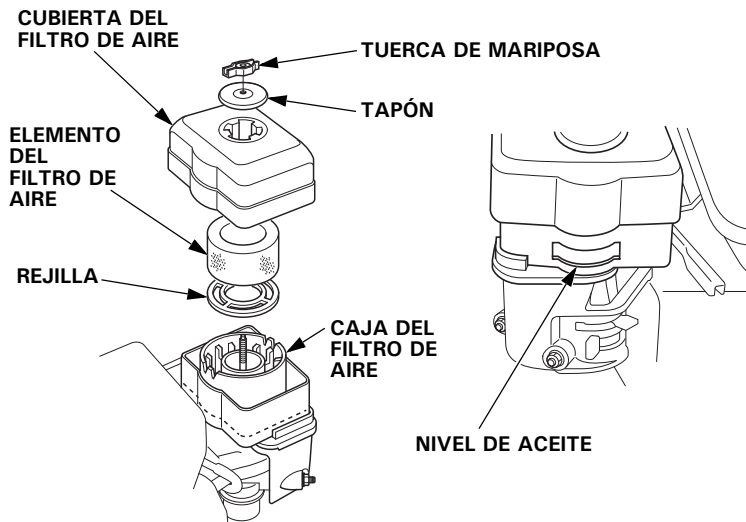
1. Extraiga la tuerca de aletas, y extraiga la tapa y la cubierta del filtro de aire.
2. Extraiga el elemento del filtro de aire de la cubierta. Lave la cubierta y el elemento del filtro en agua tibia enjabonada, aclárelos, y espere a que se sequen por completo. También podrá limpiarlo en solvente ininflamable y dejarlo secar.
3. Sumerja el elemento del filtro en aceite de motor limpio, y luego exprima todo el aceite excesivo. El motor producirá humo si se deja demasiado aceite en la espuma.



4. Vacíe el aceite usado de la caja del filtro de aire, lave la suciedad que se haya acumulado con solvente ininflamable, y seque la caja.
5. Llene la caja del filtro de aire con el mismo aceite que el recomendado para el motor, hasta la marca del nivel OIL LEVEL (vea la página 7).

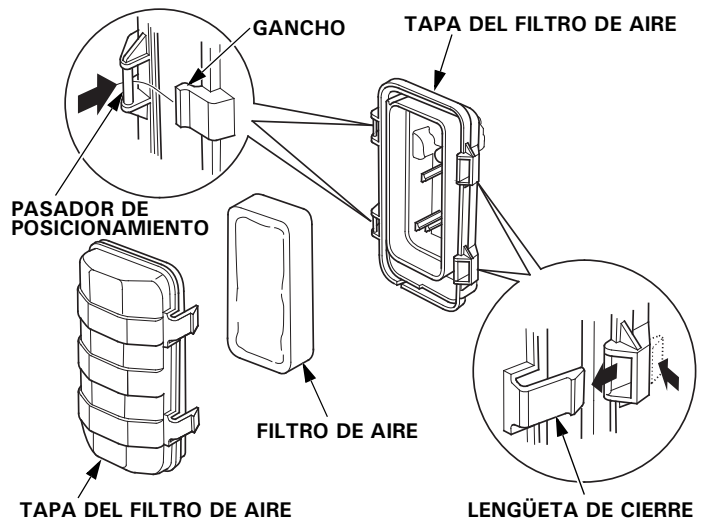
Capacidad de aceite: 60 cm³

6. Vuelva a montar el filtro de aire, y apriete con seguridad la tuerca de aletas.

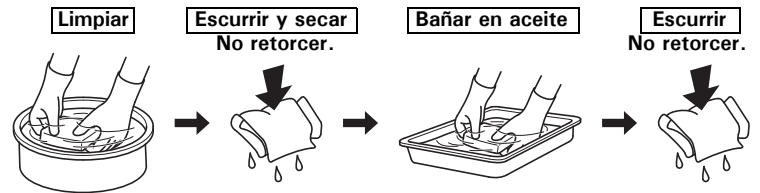


[Tipos de bajo perfil]

1. Tire de las lengüetas de enganche y abra la tapa del filtro de aire.
2. Libere los ganchos de los pasadores de posicionamiento de la caja del filtro de aire y extraiga la tapa de éste hacia el lado derecho del tubo del bastidor teniendo cuidado de no dañarla.
3. Extraiga el filtro de aire de la caja del filtro de aire.



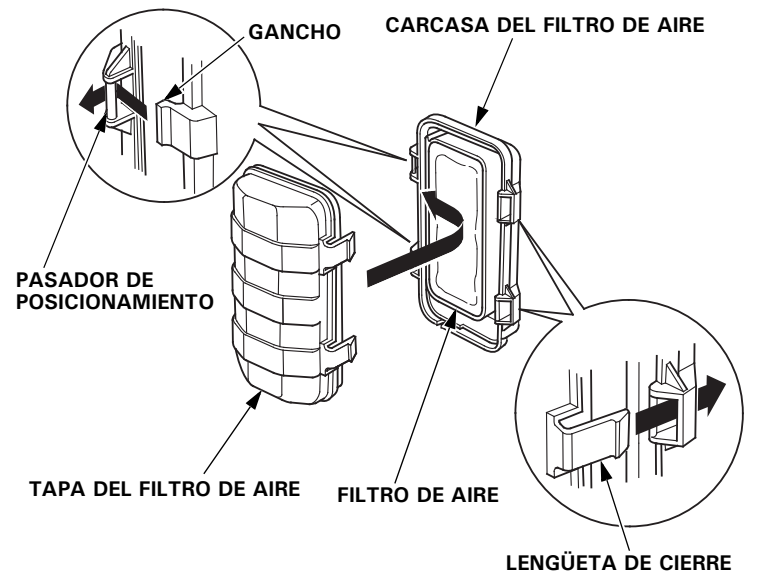
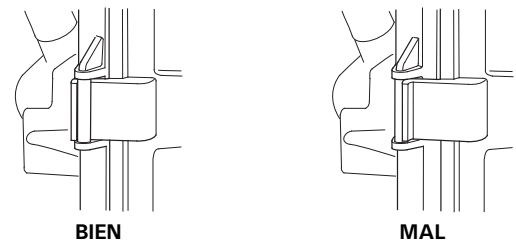
4. Inspeccione el elemento del filtro de aire y sustitúyalo si está dañado. Limpie el elemento del filtro de aire si va a volver a usarse.



5. Vuelva a instalar el filtro de aire y la caja del filtro de aire.
6. Ajuste firmemente los ganchos de la tapa del filtro de aire con los pasadores de posicionamiento y presione la tapa para cerrar las lengüetas de cierre. Asegúrese de que la tapa queda firmemente colocada. No debe haber espacio entre la cubierta y la caja del filtro de aire.

AVISO

Si se pone en funcionamiento el motor sin el filtro de aire, o con un filtro de aire dañado, la suciedad se introducirá en el motor, ocasionando su rápido desgaste. Este tipo de daños no está cubierto por la garantía.



BUJÍA

Bujía recomendada: BPR6ES (NGK)
W20EPR-U (DENSO)

La bujía recomendada tiene el margen térmico correcto para las temperaturas normales de operación del motor.

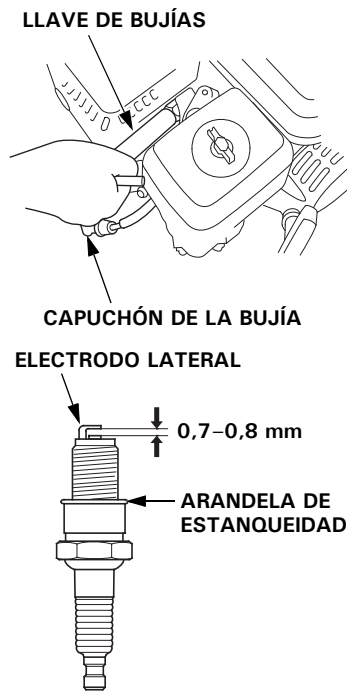
AVISO

Una bujía incorrecta puede causar daños en el motor.

Si el motor ha estado funcionando, espere a que se enfríe antes de realizar el servicio de la bujía.

Para obtener un buen rendimiento, el huelgo de los electrodos de la bujía deberá ser correcto y no deberá haber carbonilla acumulada.

1. Desconecte la tapa de la bujía, y saque la suciedad que pudiera haber en torno al área de la bujía.
2. Extraiga la bujía con una llave de bujías de 21 mm.
3. Inspeccione visualmente la bujía. Reemplácela si está dañada o muy sucia, si la arandela de sellado está en mal estado, o si el electrodo está gastado.
4. Mida el huelgo del electrodo de la bujía con un calibre de espesores del tipo de alambre. Corrija el huelgo, si es necesario, doblando con cuidado el electrodo lateral. El huelgo deberá ser: 0,7–0,8 mm
5. Instale con cuidado la bujía, con la mano, para evitar que se dañen las roscas.
6. Después de haberse asentado la bujía, apriétela con una llave de bujías de 21 mm para comprimir la arandela de sellado.



Cuando instale una bujía nueva, apriétela 1/2 de vuelta después de haberse asentado la bujía para comprimir la arandela.

Cuando vuelva a instalar la bujía original, apriétela 1/8-1/4 de vuelta después de haberse asentado la bujía para comprimir la arandela.

TORSIÓN: 18 N·m (1,8 kgf·m)

AVISO

Una bujía floja puede causar sobrecalentamiento y daños en el motor.

El apriete excesivo de la bujía puede dañar las roscas de la culata de cilindros.

7. Instale la tapa de la bujía en la bujía.

SUGERENCIAS Y OBSERVACIONES DE UTILIDAD

ALMACENAJE DEL MOTOR

Preparativos para el almacenaje

Los preparativos adecuados para el almacenaje son esenciales para mantener el motor exento de problemas y con buena apariencia exterior. Los pasos siguientes ayudarán a evitar que la oxidación y la corrosión afecten el funcionamiento y el aspecto exterior del motor, y facilitarán el arranque del motor cuando lo vuelva a utilizar.

Limpieza

Si el motor ha estado en marcha, espere a que se enfríe por lo menos media hora antes de efectuar la limpieza. Limpie todas las superficies exteriores, retoque cualquier parte dañada con pintura, y revista las otras partes que puedan oxidarse con una capa fina de aceite.

AVISO

Si se emplea una manguera de jardín o un equipo de lavado a presión, el agua puede forzarse al interior del filtro de aire o a la abertura del silenciador. Al agua dentro del filtro de aire mojará el filtro de aire, y el agua que pasa por el filtro de aire o el silenciador puede introducirse en el cilindro, y ocasionar daños.

Combustible

AVISO

Dependiendo de la zona donde se proponga utilizar el equipo, las fórmulas del combustible pueden deteriorarse y oxidarse con rapidez. El deterioro y la oxidación del combustible pueden producirse en tan sólo 30 días y pueden causar daños en el carburador y/o en el sistema de combustible. Consulte las recomendaciones sobre el almacenaje local solicitando asistencia a su concesionario de servicio.

La gasolina se oxida y deteriora durante el almacenaje. La gasolina deteriorada dificulta el arranque, y deja acumulaciones de suciedad que obstruyen el sistema de combustible. Si se deteriora la gasolina del motor durante el almacenaje, es posible que tenga que solicitar el servicio o el reemplazo del carburador y de otros componentes del sistema de combustible.

El periodo de tiempo en el que la gasolina puede permanecer en el depósito de combustible y carburador sin causar problemas funcionales dependerá de diversos factores, como la mezcla de gasolina, la temperatura de almacenamiento y el nivel de carburante presente en el depósito. El aire dentro de un depósito de combustible parcialmente lleno deteriora el combustible. Las temperaturas de almacenamiento muy cálidas aceleran el deterioro del combustible. Los problemas de deterioro del combustible pueden producirse a los 30 días de haber introducido el combustible en el depósito, o incluso antes si la gasolina no estaba fresca al llenar el depósito.

La garantía no cubre los daños al sistema del combustible ni los problemas de funcionamiento debidos a una preparación de la conservación inadecuada.

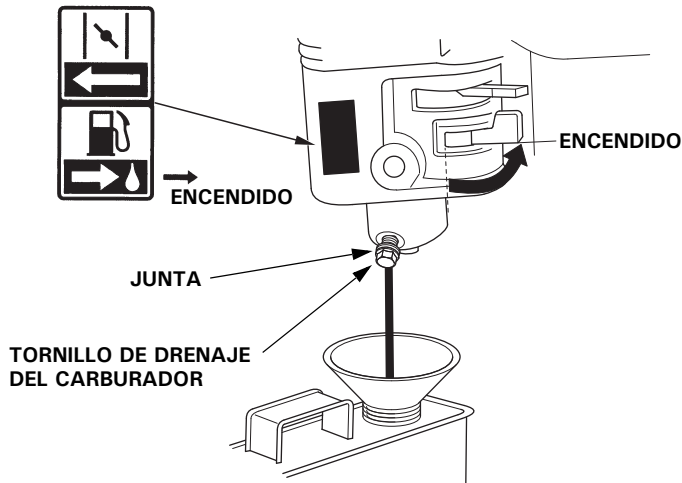
⚠ ADVERTENCIA

La gasolina es muy inflamable y explosiva.

Correrá el peligro de quemaduras o de heridas graves al manipular el combustible.

- Pare el motor y mantenga apartados el calor, las chispas, y el fuego.
- Manipule el combustible sólo en exteriores.
- Frote inmediatamente el líquido derramado.

1. Mueva la palanca de la válvula del combustible a la posición OFF (vea la página 5).
2. Ponga un recipiente de gasolina homologado debajo del carburador, y emplee un embudo para evitar el derrame de combustible.
3. Mueva la palanca de la válvula de combustible a la posición ON y afloje el perno de drenaje del carburador girándolo 1 o 2 vueltas hacia la izquierda.



4. Después del drenaje de todo el combustible, apriete con seguridad el tornillo de drenaje del carburador y coloque la válvula del combustible en la posición OFF.

Aceite de motor

1. Cambie el aceite de motor (vea la página 8).
2. Extraiga la bujía (vea la página 11).
3. Introduzca una cucharilla de 5–10 cm³ de aceite de motor limpio en el cilindro.
4. Tire varias veces de la empuñadura del arrancador para que el aceite se distribuya por el cilindro.
5. Vuelva a instalar la bujía.
6. Tire lentamente de la empuñadura del arrancador hasta notar resistencia y hasta que la muesca de la polea del arrancador se alinee con el orificio de la parte superior de la cubierta del arrancador de retroceso. De este modo se cerrarán las válvulas para que no pueda introducirse suciedad en el cilindro del motor. Deje que la empuñadura del arrancador retorne con suavidad.
7. Cubra el motor para protegerlo contra el polvo.

Precauciones para el almacenaje

Si el motor debe almacenarse con gasolina en el depósito de combustible y en el carburador, es importante reducir el peligro de que se enciendan los gases de la gasolina. Seleccione un lugar de almacenaje bien ventilado apartado de todos los aparatos que funcionen con fuego, como pueden ser los hornos, calentadores de agua, o secadoras para la ropa. Evite también los lugares con motores eléctricos que produzcan chispas, o donde se utilicen herramientas eléctricas.

Si es posible, evite los lugares de almacenaje con mucha humedad, porque aceleran la oxidación y la corrosión.

Mantenga el motor nivelado durante el almacenaje. La inclinación podría ocasionar fugas de combustible o de aceite.

Cuando el motor y el sistema de escape estén fríos, cubra el motor para protegerlo contra el polvo. Si el motor y el sistema de escape están calientes pueden hacer que se enciendan o derritan algunos materiales. No emplee una lámina de plástico como cubierta contra el polvo. Una cubierta que no sea porosa no dejará escapar la humedad en torno al motor, acelerando la oxidación y la corrosión.

Salida del almacenaje

Compruebe el motor como se describe en la sección de *COMPROBACIONES PREVIAS A LA OPERACIÓN* de este manual (vea la página 3).

Si se había drenado el combustible durante los preparativos para el almacenaje, llene el depósito con gasolina nueva. Si conserva un recipiente de gasolina para repostar, asegúrese de que sólo contenga gasolina nueva. La gasolina se oxida y deteriora con el tiempo, dificultando el arranque.

Si se había revestido el cilindro con aceite durante los preparativos para el almacenaje, el motor produce un poco de humo al principio. Esto es normal.

TRANSPORTE

Si el motor ha estado en marcha, espere como mínimo 15 minutos a que se enfríe antes de cargar el equipo motorizado en el vehículo de transporte. Si el motor y el sistema de escape están calientes pueden causarle quemaduras y hacer que se enciendan algunos materiales.

Mantenga nivelado el motor cuando lo transporte para reducir la posibilidad de que se produzcan fugas de combustible. Mueva la palanca de la válvula de combustible a la posición OFF (Consulte la página 5).

CUIDADOS PARA PROBLEMAS INESPERADOS

NO ARRANCA EL MOTOR

Causa posible	Corrección
Válvula de combustible APAGADA.	Mueva la palanca a la posición ON.
Estrangulador abierto.	Mueva la palanca a la posición CLOSED excepto si el motor está caliente.
Interruptor del motor APAGADO.	Gire el interruptor del motor a la posición ON.
Bajo nivel del aceite de motor (Modelos con Oil Alert).	Rellene con el aceite recomendado hasta el nivel correcto (p. 8).
Sin combustible.	Repueste (p. 7).
Combustible en mal estado; motor guardado sin tratamiento o drenaje de la gasolina o repostado con gasolina en mal estado.	Drene el depósito de combustible y el carburador (p. 12). Repueste con gasolina nueva (p. 7).
Bujía averiada, desgastada o con huelgo incorrecto.	Coloque o sustituya la bujía (p. 11).
Bujía mojada con combustible (motor inundado).	Seque y vuelva a instalar la bujía. Arranque el motor con la palanca del acelerador en la posición MAX.
Avería del carburador, avería del encendido, válvulas atascadas, etc.	Lleve el motor a su concesionario de servicio o consulte el manual de taller.

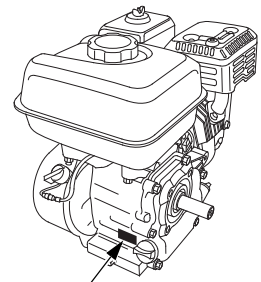
FALTA DE POTENCIA EN EL MOTOR

Causa posible	Corrección
Elemento(s) de filtro obstruido(s).	Limpie o reemplace los elementos del filtro (p. 9-10).
Combustible en mal estado; motor guardado sin tratamiento o drenaje de la gasolina o repostado con gasolina en mal estado.	Drene el depósito de combustible y el carburador (p. 12). Repueste con gasolina nueva (p. 7).
Avería del carburador, avería del encendido, válvulas atascadas, etc.	Lleve el motor a su concesionario de servicio o consulte el manual de taller.

INFORMACIÓN TÉCNICA

Situación del número de serie

Anote el número de serie del motor en el espacio siguiente. Necesitará esta información cuando realice pedidos de partes y consultas técnicas o sobre la garantía.



UBICACIÓN DEL NÚMERO DE SERIE Y DEL TIPO DE MOTOR

Número de serie del motor: _____

Tipo de motor: _____

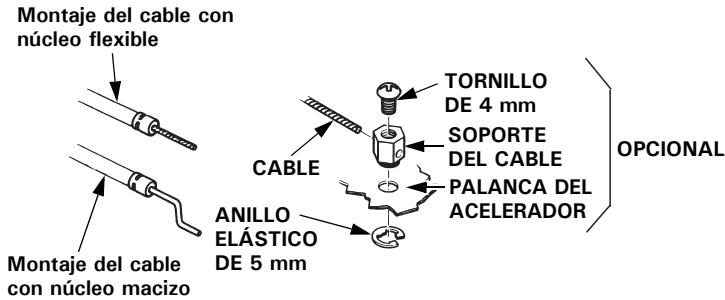
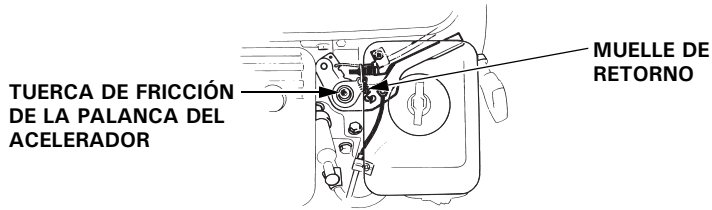
Fecha de adquisición: ____ / ____ / ____

Enlace de control remoto

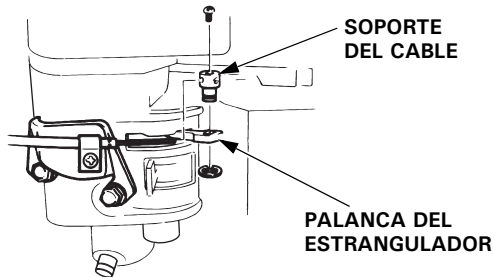
Las palancas de control del acelerador y del estrangulador están provistas de orificios para la instalación del cable opcional. Las ilustraciones siguientes muestran ejemplos de instalación de un cable macizo y de un cable trenzado flexible. Si emplea un cable trenzado flexible, añada un resorte de retorno como se muestra.

Es necesario aflojar la tuerca de fricción de la palanca del acelerador cuando se opere el acelerador con un control montado a distancia.

ENLACE DEL ACELERADOR REMOTO



ENLACE DEL ESTRANGULADOR REMOTO



Modificaciones del carburador para funcionar a gran altitud

A grandes altitudes, la mezcla normal de aire-combustible del carburador será demasiado rica. El rendimiento disminuirá, y aumentará el consumo de combustible. Si la mezcla es demasiado rica, ensuciará también la bujía y puede dificultar el arranque. El funcionamiento a una altitud distinta de la certificada para este motor, durante períodos prolongados de tiempo, puede ocasionar un incremento en las emisiones de escape.

El rendimiento a grandes altitudes podrá mejorar mediante modificaciones específicas en el carburador. Si siempre opera el motor a altitudes de más de 1.500 metros, solicite a su concesionario de servicio que efectúe esta modificación del carburador. Este motor conformará cada una de las normas sobre las emisiones de escape durante toda su vida de servicio cuando se opere a gran altitud con las modificaciones del carburador para funcionar a grandes altitudes.

Incluso con la modificación del carburador, la potencia del motor se reducirá aproximadamente el 3,5 % por cada 300 m de incremento de la altitud. El efecto de la altitud en la potencia será mayor si no se han efectuado las modificaciones en el carburador.

AVISO

Cuando se haya modificado el carburador para funcionar a gran altitud, la mezcla de aire-combustible será demasiado pobre para funcionar a bajas altitudes. El funcionamiento a altitudes de menos de 1.500 metros con el carburador modificado puede causar sobrecalentamiento del motor y ocasionar serios daños en el motor. Para el funcionamiento a bajas altitudes, solicite a su concesionario de servicio que reajuste el carburador a las especificaciones originales de fábrica.

Especificaciones

GP160 (TDF de eje tipo S, con depósito de combustible)

Longitud × Anchura × Altura	306 × 363 × 335 mm
Masa en seco [peso]	14,9 kg
Tipo de motor	4 tiempos, monocilíndrico, válvulas en culata
Cilindrada [Diámetro × Carrera]	163 cm ³ [68,0 × 45,0 mm]
Potencia neta (según SAE J1349*)	3,6 kW(4,9 CV) a 3.600 rpm
Par máx. neto (según SAE J1349*)	10,3 N·m (1,05 kgf·m) a 2.500 rpm
Capacidad del aceite del motor	0,58 L
Capacidad del depósito de combustible	3,1 L
Sistema de refrigeración	Aire forzado
Sistema de encendido	Magneto de transistor
Rotación del eje de la TDF	Hacia la izquierda
Rango de temperatura de funcionamiento	-5°C–40°C

* La potencia nominal del motor indicada en este documento es la potencia de salida neta probada en un modelo de motor fabricado en serie y medida conforme a la norma SAE J1349 a 3.600 rpm (potencia neta) y a 2.500 rpm (par motor neto máx.). Los motores de producción de masas pueden tener un valor distinto a este. La potencia de salida real del motor instalado en el vehículo final variará dependiendo de numerosos factores, entre los que destacan la velocidad de funcionamiento aplicada al motor, las condiciones medioambientales, el mantenimiento y otras variables.

GP200 (TDF de eje tipo S, con depósito de combustible)

Longitud × Anchura × Altura	315 × 378 × 335 mm
Masa en seco [peso]	16,0 kg
Tipo de motor	4 tiempos, monocilíndrico, válvulas en culata
Cilindrada [Diámetro × Carrera]	196 cm ³ [68,0 × 54,0 mm]
Potencia neta (según SAE J1349*)	4,3 kW (5,8 CV) a 3.600 rpm
Par máx. neto (según SAE J1349*)	12,4 N·m (1,26 kgf·m) a 2.500 rpm
Capacidad del aceite del motor	0,6 L
Capacidad del depósito de combustible	3,1 L
Sistema de refrigeración	Aire forzado
Sistema de encendido	Magneto de transistor
Rotación del eje de la TDF	Hacia la izquierda
Rango de temperatura de funcionamiento	-5°C–40°C

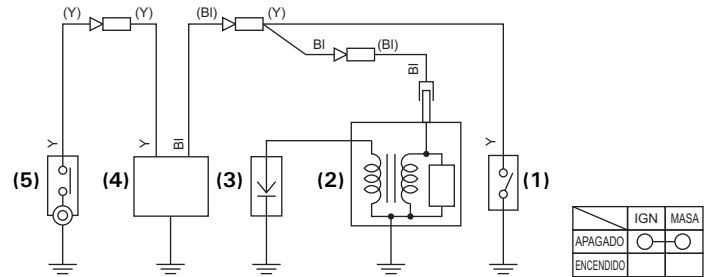
* La potencia nominal del motor indicada en este documento es la potencia de salida neta probada en un modelo de motor fabricado en serie y medida conforme a la norma SAE J1349 a 3.600 rpm (potencia neta) y a 2.500 rpm (par motor neto máx.). Los motores de producción de masas pueden tener un valor distinto a este. La potencia de salida real del motor instalado en el vehículo final variará dependiendo de numerosos factores, entre los que destacan la velocidad de funcionamiento aplicada al motor, las condiciones medioambientales, el mantenimiento y otras variables.

Especificaciones para la puesta a punto GP160/200

ELEMENTO	ESPECIFICACIÓN	MANTENIMIENTO
Huelgo de bujía	0,7–0,8 mm	Consultar la página: 11
Holgura de la válvula (frío)	AD: 0,15 ± 0,02 mm ES: 0,20 ± 0,02 mm	Consulte a su concesionario de servicio
Otras especificaciones	No se necesita ningún otro ajuste.	

Diagramas de conexiones

Con Oil Alert



- (1) INTERRUPTOR DEL MOTOR
- (2) BOBINA DE ENCENDIDO
- (3) BUJÍA
- (4) UNIDAD OIL ALERT
- (5) INTERRUPTOR DE NIVEL DE ACEITE

BI	Negro	Br	Marrón
Y	Amarillo	O	Naranja
Bu	Azul	Lb	Azul claro
G	Verde	Lg	Verde claro
R	Rojo	P	Rosa
W	Blanco	Gr	Gris

INFORMACIÓN DEL CONSUMIDOR

INFORMACIÓN PARA ENCONTRAR DISTRIBUIDORES/ CONCESIONARIOS

Visite nuestro sitio en la Web: <http://www.honda-engines-eu.com>

INFORMACIÓN DE SERVICIO PARA CLIENTES

El personal de los concesionarios de servicio son profesionales entrenados. Ellos podrán contestar a cualquier pregunta que usted les haga. Si se encuentra con un problema que su concesionario no puede resolver para dejarle satisfecho, comuníquesele al jefe del concesionario. El jefe de servicio, el director general, o el propietario podrán ayudarle.

Casi todos los problemas se resuelven de este modo.

Si no queda satisfecho con la decisión tomada por los jefes del concesionario, póngase en contacto con la Oficina de Honda como se muestra.

< Oficina de Honda >

Cuando escriba o llame, tenga la amabilidad de incluir la información siguiente:

- Nombre del fabricante y número de modelo del equipo al que se ha montado el motor
- Modelo, número de serie, y tipo del motor (vea la página 13)
- Nombre del concesionario que le vendió el motor
- Nombre, dirección, y persona de contacto del concesionario que realiza el servicio de su motor
- Fecha de adquisición
- Su nombre, dirección y número de teléfono
- Una descripción detallada del problema

Honda Motor Europe Logistics NV.

European Engine Center

<http://www.honda-engines-eu.com>

Póngase en contacto con el distribuidor Honda de su zona para que le ayude.

INLEIDING

Dank u voor uw aanschaf van een Honda motor. We helpen u graag om met uw nieuwe motor optimale resultaten te behalen en deze veilig te gebruiken. Deze handleiding bevat informatie hierover; lees deze daarom zorgvuldig door voordat u uw motor gebruikt. Als er storingen optreden of als u vragen over uw motor heeft, neem dan contact op met uw onderhoudsdealer.

Alle informatie in deze publicatie is gebaseerd op de meest recente productinformatie die bij het ter perse gaan beschikbaar was. Honda Motor Co., Ltd behoudt zich het recht voor om wijzigingen op ieder moment zonder voorafgaande kennisgeving door te voeren. Honda kan niet toestaan dat deze gebruikershandleiding geheel of gedeeltelijk zonder haar schriftelijke toestemming op enigerlei wijze wordt verveelvoudigd.


Deze handleiding is te beschouwen als een permanent onderdeel van de motor en hoort bij verkoop ervan aan de nieuwe eigenaar te worden overhandigd.

We raden u aan het garantieboekje door te nemen zodat de dekking u volkomen duidelijk is en u alles weet over uw verantwoordelijkheid als eigenaar.

Neem de instructies bij de door deze motor aangedreven apparatuur door voor aanvullende informatie over starten en uitschakelen van de motor, bediening, afstellingen of eventuele speciale onderhoudsinstructies.

VEILIGHEIDSMEDEDELINGEN

Uw eigen veiligheid en die van anderen zijn van het grootste belang. Overal in deze handleiding en op de motor zelf vindt u belangrijke veiligheidsmededelingen. Lees deze mededelingen aandachtig.

Een veiligheidsmededeling maakt u attent op potentiële risico's waarbij letsel aan uzelf of anderen kan worden toegebracht. Vóór elke veiligheidsmededeling ziet u een veiligheidssymbool  staan en een van de drie aanduidingen GEVAAR, WAARSCHUWING of LET OP.

Deze signaalwoorden betekenen:

GEVAAR

U loopt **BESLIST DODELIJK** of **ERNSTIG** letsel op als u instructies niet opvolgt.

WAARSCHUWING

U loopt **MOGELIJK DODELIJK** of **ERNSTIG** letsel op als u instructies niet opvolgt.

LET OP

U **KUNT LETSEL** oplopen als u instructies niet opvolgt.

Elke mededeling maakt duidelijk wat het risico is, wat er kan gebeuren en wat u kunt doen om letsel te vermijden of te beperken.

INFORMATIE OVER SCHADEPREVENTIE

U treft ook andere belangrijke mededelingen aan waarbij het woord **ATTENTIE** staat.

Dit woord betekent:

ATTENTIE

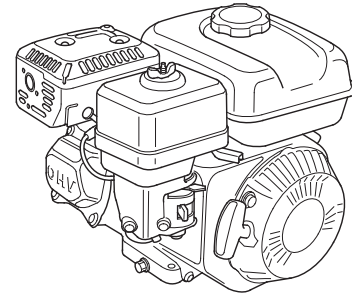
U kunt uw motor of eigendommen beschadigen als u instructies niet opvolgt.

Het doel van deze mededelingen is u te helpen om schade aan de motor, uw eigendommen of het milieu te voorkomen.

HONDA

INSTRUKTIEHANDLEIDING

GP160 • GP200



De afbeelding zijn hoofdzakelijk gebaseerd op: PTO astype S, met brandstoftank

- De afbeeldingen kunnen verschillen naargelang van het type.

INHOUD

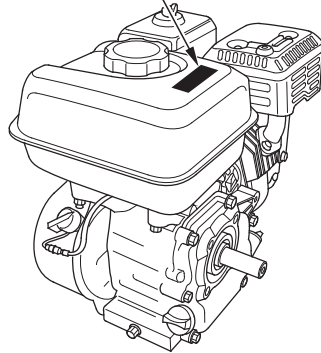
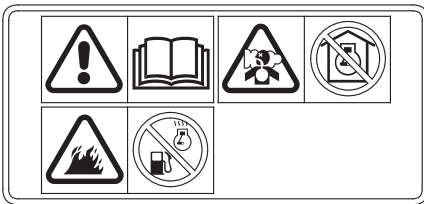
INLEIDING	1	HANDIGE TIPS & SUGGESTIES	11
VEILIGHEIDSMEDEDELINGEN	1	UW MOTOR STALLEN	11
VEILIGHEIDSMATREGELEN	2	TRANSPORT	12
LOCATIE VEILIGHEIDSSICKER ...	2	ONVERWACHTE PROBLEMEN OPLOSSEN	13
LOCATIES VAN COMPONENTEN & SCHAKELAARS	2	TECHNISCHE INFORMATIE	13
EIGENSCHAPPEN	3	Locatie serienummer	13
GEBUIKSCONTROLES VOORAF	3	Verbinding voor externe bediening	14
GEBUIK	4	Carburateurmodificaties voor werking op grotere geografische hoogten	14
VOORZORGEN VOOR VEILIG GEBUIK	4	Specificaties	15
DE MOTOR STARTEN	4	Specificaties voor tune-up	15
DE MOTOR UITSCHAKELEN ...	5	Bedradingsschema's	15
MOTORTOERENTAL INSTELLEN	5	GEBUIKERSINFORMATIE	16
ONDERHOUD AAN UW MOTOR	6	INFORMATIE OVER DISTRIBUTEUR-/DEALERZOEKFUNCTIE	16
HET BELANG VAN ONDERHOUD	6	KLANTENSERVICE-INFORMATIE	16
VEILIG ONDERHOUD	6		
VEILIGHEIDSVORZORGEN ...	6		
ONDERHOUDS-SCHEMA	6		
TANKEN	7		
MOTOROLIE	7		
Aanbevolen olie	7		
Oliepeil controleren	8		
Olie verversen	8		
LUCHTFILTER	9		
Inspectie	9		
Reiniging	9		
BOUGIE	11		

VEILIGHEIDSINFORMATIE

- Zorg dat u de werking van alle bedieningsorganen begrijpt en dat u weet hoe u de motor in een noodgeval snel uitschakelt. Zorg dat de gebruiker de juiste instructies krijgt voordat hij de apparatuur gaat gebruiken.
- De motor mag niet door kinderen worden gebruikt. Houd kinderen en huisdieren uit de buurt terwijl de motor in gebruik is.
- De uitlaatgassen van uw motor bevatten giftig koolmonoxidegas. Laat de motor niet draaien zonder voldoende ventilatie en laat de motor nooit binnenshuis draaien.
- De motor en de uitlaat worden tijdens gebruik zeer heet. Houd tijdens het gebruik de motor tenminste 1 meter uit de buurt van gebouwen en andere apparatuur. Houd ontvlambaar materiaal bij de motor vandaan en zet niets op de motor terwijl deze draait.

LOCATIE VEILIGHEIDSTICKER

Deze sticker waarschuwt u voor risico's die ernstig letsel tot gevolg kunnen hebben. Lees deze aandachtig door. Raadpleeg uw onderhoudsdealer als een sticker niet goed te lezen is of loszit.



Benzine is uiterst brandbaar en explosief. Schakel de motor uit en laat deze afkoelen voordat u brandstof bijvult.

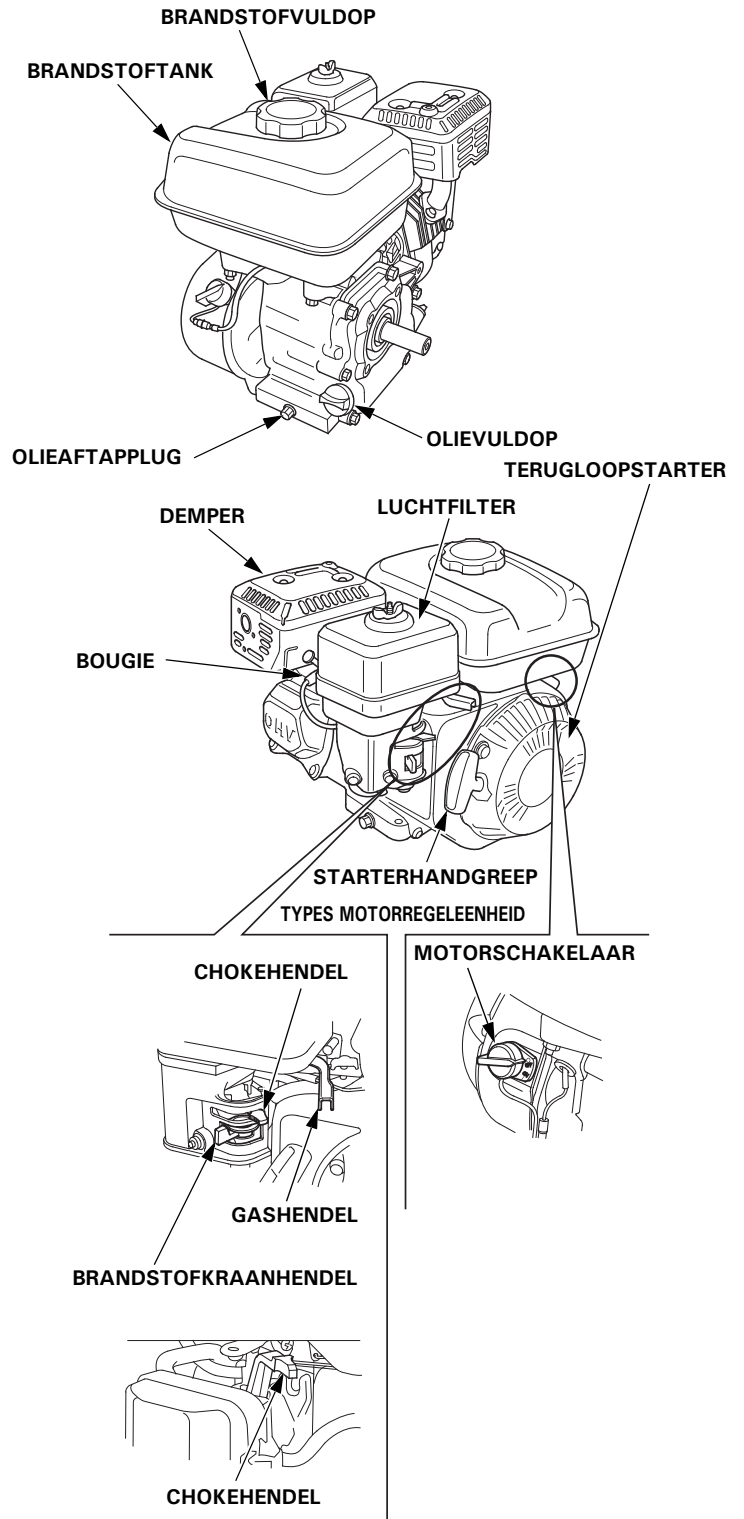


De uitlaatgassen van de motor bevatten giftig koolmonoxidegas. Laat de motor niet draaien in een afgesloten ruimte.



Lees het instructieboekje voordat u de motor gebruikt.

LOCATIES VAN COMPONENTEN & SCHAKELAARS



KENMERKEN

OIL ALERT-SYSTEEM (betreffende uitvoeringen)

Het Oil Alert-systeem is bedoeld om motorschade te voorkomen als er te weinig olie in het carter aanwezig is. Al voordat het oliepeil in het carter beneden een veilige grenswaarde daalt, schakelt het Oil Alert-systeem automatisch de motor uit (de motorschakelaar blijft in de stand ON (AAN)).

Als de motor stopt en niet meer wil starten, moet u het motoroliepeil controleren (zie pagina 8) voordat u probeert problemen in andere delen op te lossen.

GEBRUIKSCONTROLES VOORAF

IS UW MOTOR GEBRUIKSKLAAR?

Voor uw eigen veiligheid, een goede naleving van de milieuvoorschriften en een maximale levensduur van uw apparatuur is het van groot belang dat u even de tijd neemt om de conditie van de motor te controleren voordat u de motor inschakelt. Los eventuele gevonden problemen op of laat ze door uw onderhoudsdealer verhelpen voordat u de motor weer gebruikt.

WAARSCHUWING

Als de motor niet correct wordt onderhouden of problemen niet worden verholpen voordat de motor wordt gebruikt, kunnen ernstige storingen ontstaan.

Sommige storingen kunnen resulteren in ernstig of dodelijk letsel.

Voer voorafgaand aan elk gebruik een controle uit en verhelp eventuele problemen.

Controleer voordat u de gebruikscontrole uitvoert eerst of de motor wel horizontaal staat en de motorschakelaar in de stand OFF (UIT) staat.

Controleer altijd de volgende punten voordat u de motor start:

Controleer de algehele conditie van de motor

1. Kijk rondom en onder de motor of u sporen ziet van olie- en benzinelekkage.
2. Verwijder een teveel aan vuil of rommel, vooral rondom de uitlaatdemper en de terugloopstarter.
3. Let op tekenen van schade.
4. Controleer of alle afschermkappen en deksels op hun plaats zitten en of alle moeren, bouten en schroeven goed zijn vastgedraaid.

Controleer de motor

1. Controleer het brandstofpeil (zie pagina 7). Als u met een volle tank begint, hoeft u uw werk niet of nauwelijks te onderbreken om te tanken.
2. Controleer het motoroliepeil (zie pagina 8). Als de motor draait met een te laag oliepeil, kan er motorschade ontstaan.

Het Oil Alert-systeem (sommige uitvoeringen) zorgt dat de motor automatisch wordt uitgeschakeld voordat het oliepeil daalt tot beneden een veilige grenswaarde. Vermijd het ongemak van onverwacht uitschakelen door het motoroliepeil altijd te controleren voordat u de motor start.

3. Controleer het luchtfilterelement (zie pagina 9). Een vervuild luchtfilterelement belemmert de luchtstroming naar de carburateur, zodat de motor minder goed presteert.
4. Controleer de apparatuur die door deze motor wordt aangedreven.

Neem de instructies door die worden geleverd bij de apparatuur die door deze motor wordt aangedreven en let op voorzorgsmaatregelen en procedures die u hoort te volgen voordat u de motor start.

BEDIENING

VOORZORGEN VOOR VEILIG GEBRUIK

Lees bij de ingebruikname van de motor de paragraaf met **VEILIGHEIDSMATREGELEN** op pagina 2 en de **GEBRUIKSCONTROLES VOORAF** op pagina 3.

Laat voor uw eigen veiligheid de motor niet draaien in een afgesloten ruimte zoals een garage. De uitlaatgassen van de motor bevatten giftig koolmonoxide dat in een afgesloten ruimte snel een concentratie bereikt die schadelijk of dodelijk is.

⚠ WAARSCHUWING

Uitlaatgassen bevatten giftig koolmonoxide dat in afgesloten ruimten een gevaarlijke concentratie kan bereiken.

Het inademen van koolmonoxide kan leiden tot bewusteloosheid of de dood.

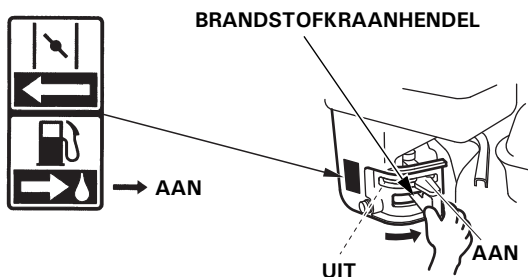
Laat de motor in dit product nooit in een (zelfs deels) afgesloten ruimte draaien waarin mensen aanwezig kunnen zijn.

Lees de instructies die zijn meegeleverd bij de apparatuur die wordt aangedreven door deze motor om te zien welke veiligheidsmaatregelen u in acht moet nemen bij het starten, uitschakelen of gebruik van de motor.

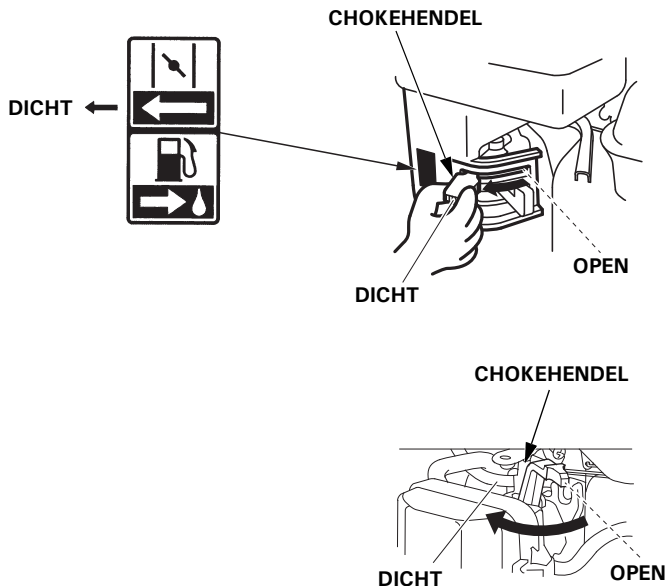
Gebruik de motor niet op hellingen van meer dan 20° (36%).

DE MOTOR STARTEN

1. Zet de brandstofkraan in de stand ON (AAN).



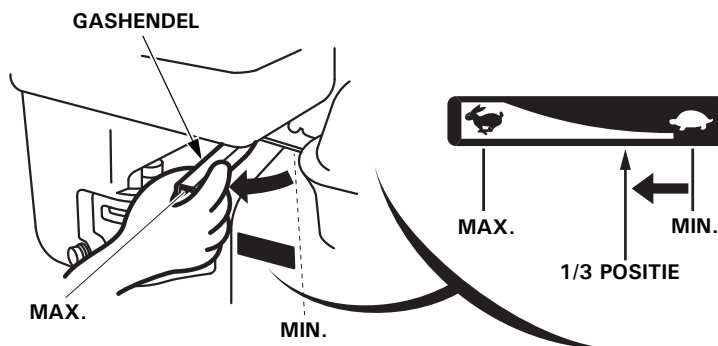
2. Zet om een koude motor te starten de chokehendel of de chokestang (betreffende uitvoeringen) in de stand CLOSED (DICHT).



Zet om een nog warme motor te herstarten de chokehendel of de chokestang in de stand OPEN.

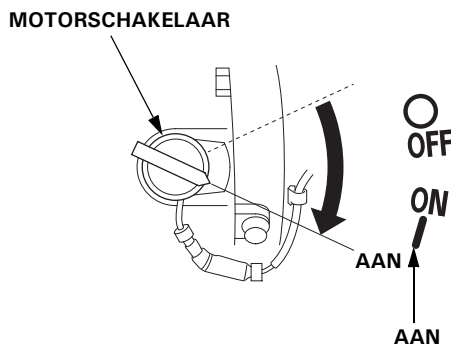
Sommige motoruitvoeringen hebben een extern gemonteerde chokehendel en geen aan de motor gemonteerde chokehendel zoals hier is afgebeeld. Zie de instructies die door de fabrikant van de apparatuur zijn meegeleverd.

3. Zet de gashendel uit de stand MIN., op ca. 1/3 van de afstand naar de stand MAX.



Sommige motoruitvoeringen hebben een extern gemonteerde gashendel en geen aan de motor gemonteerde gashendel zoals hier is afgebeeld. Zie de instructies die door de fabrikant van de apparatuur zijn meegeleverd.

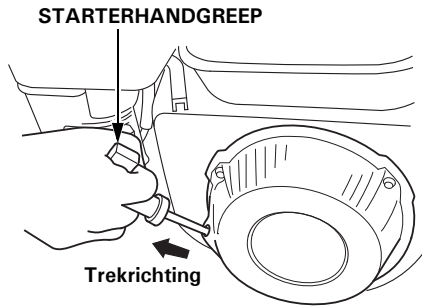
4. Zet de motorschakelaar in de stand ON (AAN).



5. Bedien de starter.

TERUGLOOPSTARTER

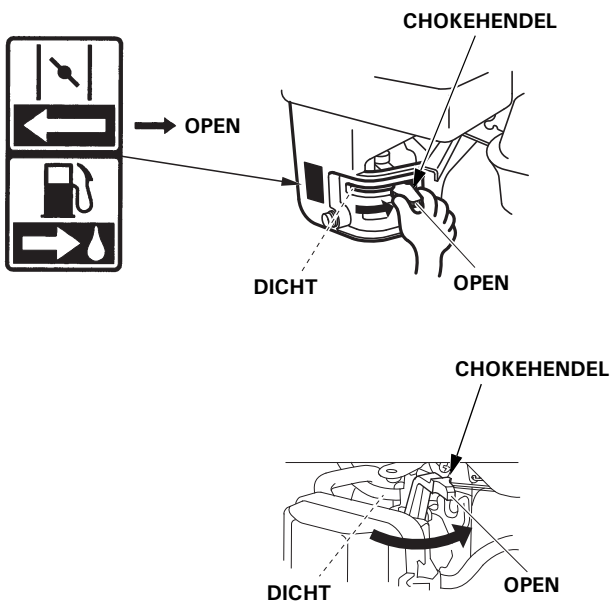
Trek iets aan de starterhandgreep totdat u weerstand voelt en trek dan snel en stevig in de pijlrichting zoals hieronder getoond. Laat de starterhandgreep rustig terugrollen.



ATENTIE

Laat de starterhandgreep niet terugslaan tegen de motor. Laat het startkoord langzaam terugrollen om schade aan de starter te voorkomen.

6. Als u de chokehendel of chokestang (betreffende uitvoeringen) in de stand DICHT heeft gezet om de motor te starten, zet deze dan geleidelijk in de stand OPEN als de motor opwarmt.

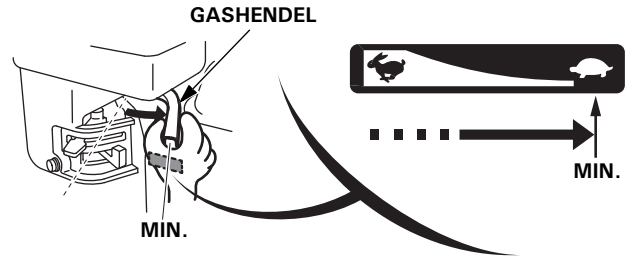


DE MOTOR UITZETTEN

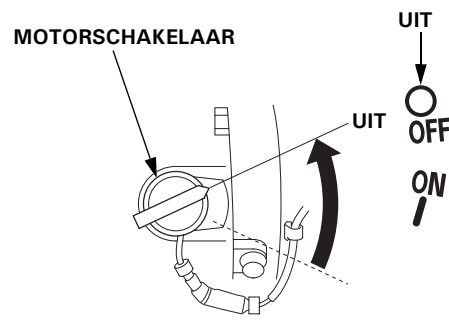
Als u in een noodgeval de motor snel moet uitschakelen, draait u de motorschakelaar gewoon naar de stand OFF (UIT). Hanteer onder normale omstandigheden de volgende procedure. Zie de instructies die door de fabrikant van de apparatuur zijn meegeleverd.

1. Zet de gashendel helemaal in de stand MIN.

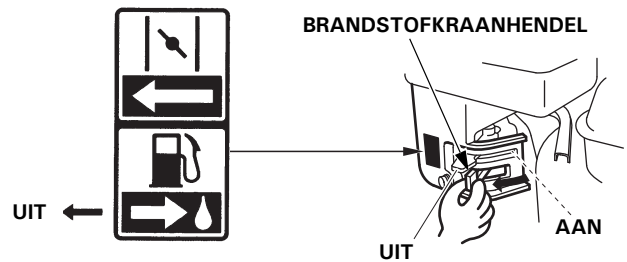
Sommige motoruitvoeringen hebben een extern gemonteerde gashendel en geen aan de motor gemonteerde gashendel zoals hier is afgebeeld.



2. Zet de motorschakelaar in de stand OFF (UIT).



3. Zet de brandstofkraan in de stand OFF (UIT).

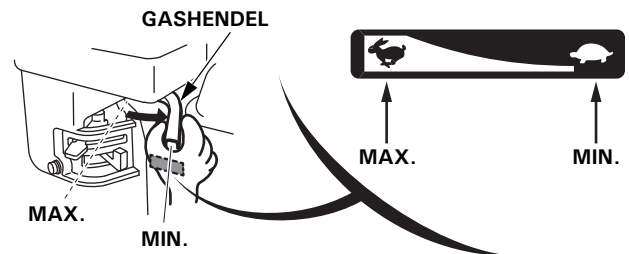


MOTORTOERENTAL INSTELLEN

Zet de gashendel in de stand voor het gewenste motortoerental.

Sommige motoruitvoeringen hebben een extern gemonteerde gashendel en geen aan de motor gemonteerde gashendel zoals hier is afgebeeld. Zie de instructies die door de fabrikant van de apparatuur zijn meegeleverd.

Zie voor het aanbevolen motortoerental de instructies bij de apparatuur die door deze motor wordt aangedreven.



ONDERHOUD AAN UW MOTOR

HET BELANG VAN ONDERHOUD

Deugdelijk onderhoud is van groot belang voor een veilige, zuinige en storingsvrije werking. Ook helpt u zo milieuverontreiniging voorkomen.

⚠ WAARSCHUWING

Als de motor niet correct wordt onderhouden of problemen niet worden verholpen voordat de motor wordt gebruikt, kunnen ernstige storingen ontstaan.

Sommige storingen kunnen resulteren in ernstig of dodelijk letsel.

Volg altijd de aanbevelingen en schema's voor inspectie en onderhoud in deze instructiehandleiding.

Op de volgende pagina's staan een onderhoudsschema en beschrijvingen van routine-inspecties en eenvoudige onderhoudsprocedures met basisgereedschap zodat u uw motor goed kunt onderhouden. Andere onderhoudstaken die wat ingewikkelder zijn of waarvoor speciaal gereedschap nodig is, kunt u beter overlaten aan vakmensen en laten uitvoeren door een monteur van Honda of een andere geschoolde monteur.

Het onderhoudsschema is van toepassing op normale gebruiksomstandigheden. Als u de motor gebruikt onder zware omstandigheden, zoals bij continu gebruik onder zware belasting of bij hoge temperaturen of onder ongewoon vochtige of stoffige condities, neem dan contact op met uw onderhoudsdealer voor advies over uw specifieke behoeften en gebruik.

Gebruik alleen originele Honda-onderdelen of gelijkwaardig materiaal. Bij gebruik van vervangingsonderdelen die niet aan de kwaliteitseisen voldoen kan de motor beschadigd raken.

VEILIG ONDERHOUD

In dit deel wordt een aantal zeer belangrijke veiligheidsvoorzorgen beschreven. We kunnen echter niet waarschuwen tegen elk mogelijk risico dat zich bij het uitvoeren van onderhoud kan voordoen. U kunt alleen zelf beslissen of u een bepaalde taak al dan niet aankunt.

⚠ WAARSCHUWING

Verkeerd uitgevoerd onderhoud kan leiden tot onveilige situaties.

Als de onderhoudsinstructies en de voorzorgsmaatregelen niet juist worden gevolgd, kan dat leiden tot een ongeval met ernstig of dodelijk letsel.

Volg altijd de procedures en de voorzorgsmaatregelen in deze instructiehandleiding.

VEILIGHEIDSVORZORGEN

- Schakel de motor uit voordat u begint met onderhoud of een reparatie. Haal de bougiekop los van de bougie om onbedoeld starten te voorkomen. Daarmee neemt u enkele potentiële risico's weg:
 - **Koolmonoxidevergiftiging door uitlaatgassen.** Buiten gebruiken, niet in de buurt van open ramen of deuren.
 - **Brandwonden door hete onderdelen.** Laat de motor en het uitlaatsysteem afkoelen voordat u deze aanraakt.
 - **Letsel door bewegende onderdelen.** Schakel de motor pas in als de instructie dat aangeeft.
- Lees de instructies voordat u begint en controleer of u het vereiste gereedschap en de deskundigheid bezit.
- Wees voorzichtig wanneer u met benzine werkt, om het risico op brand of explosie te verminderen. Gebruik een niet-ontvlambaar oplosmiddel en geen benzine om onderdelen te reinigen. Blijft met een brandende sigaret, vonken of open vuur uit de buurt van alle onderdelen van het brandstofsysteem.

Denk eraan dat een erkende Honda-onderhoudsdealer uw motor het beste kent en goed is uitgerust om deze te onderhouden en te repareren.

Gebruik voor de beste kwaliteit en betrouwbaarheid alleen nieuwe originele Honda- of gelijkwaardige onderdelen ter reparatie en vervanging.

ONDERHOUDSSCHEMA

NORMAAL ONDERHOUDSINTERVAL (1) Uitvoeren volgens het aangegeven interval in maanden of bedrijfsuren, welke het eerste komt.		Bij elk Gebruik	Eerste maand of 20 uur	Elke 3 maanden of 50 uur	Elke 6 maanden of 100 uur	Elk jaar of 300 uur	Raadpleeg pagina	
ONDERDEEL								
Motorolie	Peil controleren	o					8	
	Verversen		o		o		8	
Luchtfilter	Controleren	o					9-10	
	Reinigen			o (2)			9-10	
	Vervangen					o *		
Bougie	Controleren-afstellen				o		11	
	Vervangen					o		
Stationair toerental	Controleren-afstellen					o (3)	Werkplaats-handboek	
Klepspelning	Controleren-afstellen					o (3)	Werkplaats-handboek	
Verbrandingskamer	Reinigen	Na elke 500 uur (3)						Werkplaats-handboek
Brandstoftank en filter	Reinigen				o (3)		Werkplaats-handboek	
Brandstofslang	Controleren	Elke 2 jaar (Vervangen indien nodig) (3)						Werkplaats-handboek

* Vervang alleen type met papieren element.

- (1) Houd bij commerciële toepassingen het aantal bedrijfsuren schriftelijk bij, om het correcte onderhoudsinterval te kunnen bepalen.
- (2) Voer vaker onderhoud uit wanneer u in een stoffige omgeving werkt.
- (3) Onderhoud op deze punten moet worden uitgevoerd door uw onderhoudsdealer, als u niet over het juiste gereedschap beschikt en geen ervaren monteur bent. Zie het Honda-werkplaatshandboek voor onderhoudsprocedures.

Als dit onderhoudsschema niet wordt opgevolgd, kan dit leiden tot defecten die niet door de garantie worden gedekt.

BRANDSTOF TANKEN

Aanbevolen brandstof

Loodvrije benzine
Research-octaangehalte van 91 of hoger
Pompoctaangehalte van 86 of hoger

Deze motor is alleen vrijgegeven voor gebruik met loodvrije benzine met een research-octaangehalte (RON) van 91 of hoger (een pompoctaangehalte (PON) van 86 of hoger).

Tanken dient plaats te vinden in een goed geventileerde ruimte en met uitgezette motor. Als de motor heeft gedraaid, laat deze eerst afkoelen. Tank nooit in een gebouw waar benzinedampen in contact kunnen komen met vlammen of vonken.

U kunt ongelode benzine gebruiken met niet meer dan 10% ethanol (E10) of 5% methanol per volume. Daarnaast moet de methanol verdunners en corrosieremmers bevatten. Gebruik van brandstoffen met een hoger ethanol- of methanolgehalte dan hierboven wordt aangegeven, kan leiden tot start- en/of prestatieproblemen. Er kan dan ook schade optreden aan metalen, rubberen en kunststoffen onderdelen van het brandstofsysteem. De garantie dekt geen motorschade of prestatieproblemen die het gevolg zijn van het gebruik van een brandstof met een hoger percentage ethanol of methanol dan hierboven is aangegeven.

Als u apparatuur onregelmatig of met tussenpozen zal worden gebruikt, wordt verwezen naar de paragraaf "brandstof" van het hoofdstuk *UW MOTOR STALLEN* (zie pagina 11) voor extra informatie met betrekking tot brandstofverval.

Gebruik nooit oude of vervuilde benzine of benzine waaraan olie is toegevoegd. Zorg dat er geen vuil of water in de brandstoftank terecht komt.

WAARSCHUWING

Benzine is zeer ontvlambaar en explosief, en u kunt brandwonden of ernstig letsel oplopen terwijl u benzine bijvult.

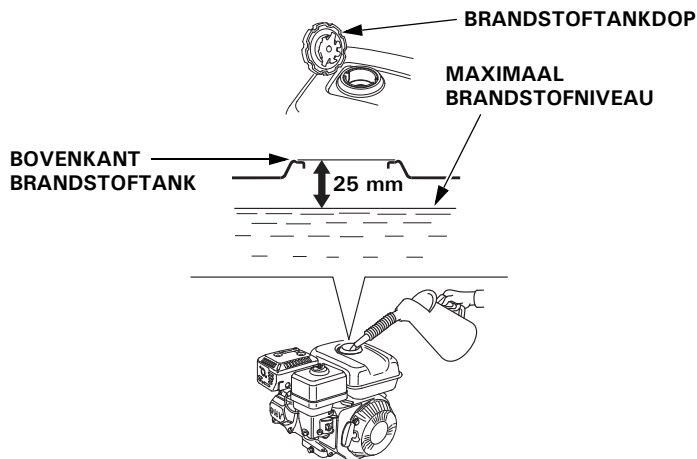
- Schakel de motor uit en laat deze afkoelen voordat u brandstof bijvult.
- Houd warmte, vonken en open vuur uit de buurt.
- Vul alleen benzine bij in de open lucht.
- Veeg gemorste brandstof direct weg.

ATENTIE

Brandstof kan schade toebrengen aan de lak en sommige soorten kunststof. Wees voorzichtig en mors geen brandstof terwijl u de brandstoftank bijvult. Schade die door gemorste brandstof veroorzaakt wordt, valt niet onder de garantie.

Raadpleeg voor het bijvullen van brandstof de instructies van de fabrikant die bij de apparatuur worden geleverd. Zie hieronder voor bijvulinstructies voor een door Honda geleverde standaard brandstoftank.

1. Plaats de uitgeschakelde motor op een vlakke ondergrond, verwijder de brandstofvuldop en controleer het brandstofniveau. Vul de tank bij als het brandstofpeil laag staat.
2. Vul de brandstoftank bij tot het maximale brandstofniveau. Vul de tank niet tot aan de rand. Laat de tank niet overlopen. Veeg gemorste brandstof weg voordat u de motor start.



3. Vul zorgvuldig bij om morsen van brandstof te voorkomen. Vul de tank tot ca. 25 mm onder de bovenrand van de brandstoftank, zodat de brandstof nog ruimte heeft om uit te zetten. Eventueel moet u het brandstofniveau iets verlagen, afhankelijk van de bedrijfsomstandigheden. Breng na het bijvullen de brandstofvuldop aan en zet deze stevig vast.

Blijf met benzine uit de buurt van waakvlammen, barbecues, elektrische huishoudelijke apparatuur, elektrisch gereedschap, enz.

Gemorste benzine levert niet alleen een brandgevaar op, maar veroorzaakt ook milieuverontreiniging. Veeg gemorste brandstof direct weg.

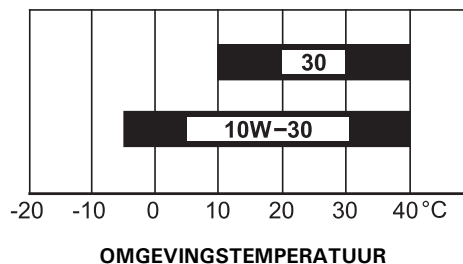
MOTOROLIE

Olie heeft een belangrijke invloed op de prestaties en de levensduur.

Gebruik olie voor 4-takt automotoren met reinigende eigenschappen.

Aanbevolen olie

Gebruik 4-taktmotorolie die voldoet aan de eisen voor API-classificatie SE of hogere klasse (of gelijkwaardig). Controleer altijd het API-servicelabel op de olieverpakking om te zien of de aanduidingen SE of hogere klasse (of gelijkwaardig) vermeld staan.



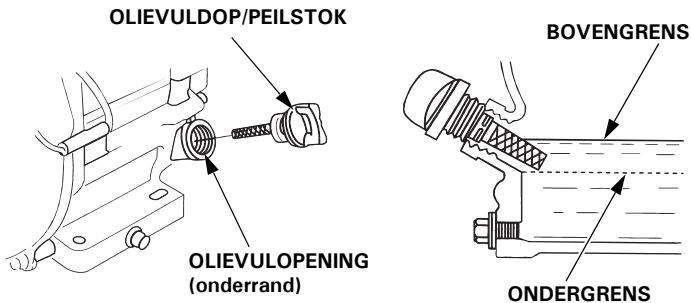
SAE 10W-30 wordt aanbevolen voor algemene gebruiksdoeleinden. Andere viscositeitsklassen die in het schema staan aangegeven, kunt u gebruiken als de gemiddelde temperatuur in uw omgeving binnen het aangeduide bereik ligt.

Was uw handen met water en zeep nadat u met afgewerkte olie in aanraking bent gekomen.

Oliepeil controleren

Controleer het motoroliepeil terwijl de motor is uitgeschakeld en horizontaal staat.

1. Verwijder de olievuldop/peilstok en veeg deze schoon.
2. Steek de brandstofvuldop/peilstok in de opening zoals afgebeeld, maar schroef deze niet vast, en haal hem er weer uit om het oliepeil te controleren.
3. Als het olieniveau bij of beneden de onderste peilstreep op de peilstok staat, vul dan bij met aanbevolen olie (zie pagina 7) tot aan de bovenste peilstreep (onderrand van de olievulopening). Laat de tank niet overlopen.
4. Plaats de olievuldop/peilstok terug.



ATENTIE

Als de motor draait met een te laag oliepeil, kan er motorschade ontstaan. Dit soort schade valt niet onder de garantie.

Het Oil Alert-systeem (betreffende uitvoeringen) schakelt de motor automatisch uit voordat het oliepeil daalt tot beneden de veilige grenswaarde. Vermijd het ongemak van onverwacht uitschakelen door het motoroliepeil altijd te controleren voordat u de motor start.

Olie verversen

Tap de verbruikte olie af terwijl de motor warm is. Warme olie stroomt snel en gemakkelijk uit de motor.

1. Plaats een geschikt opvangbakje onder de motor om de verbruikte olie op te vangen en verwijder dan de olievuldop/peilstok, de olieaftapplug en de ring.
2. Laat de verbruikte olie helemaal uitstromen, breng dan de olieaftapplug en een nieuwe afdichtring aan en draai de olieaftapplug stevig vast.
3. Vul met de motor in horizontale positie de aanbevolen olie (zie pagina 7) bij tot aan de bovenste peilstreep (onderrand van de olievulopening) op de peilstok.

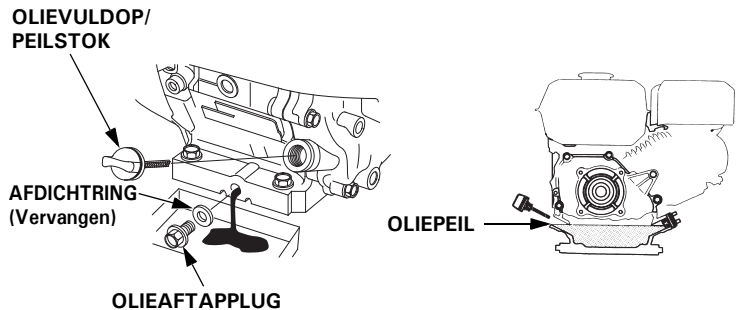
Capaciteit motorolie: GP160: 0,58 l
GP200: 0,6 l

ATENTIE

Als de motor draait met een te laag oliepeil, kan er motorschade ontstaan. Dit soort schade valt niet onder de garantie.

Het Oil Alert-systeem (betreffende uitvoeringen) schakelt de motor automatisch uit voordat het oliepeil daalt tot beneden de veilige grenswaarde. Vermijd het ongemak van onverwacht uitschakelen door bij te vullen tot het bovenste motoroliepeil en het niveau regelmatig te controleren.

4. Breng de olievuldop/peilstok aan en draai deze stevig vast.



Was uw handen met water en zeep nadat u met afgewerkte olie in aanraking bent gekomen.

ATENTIE

Voer verbruikte motorolie op correcte wijze af, zodat u het milieu geen schade toebrengt. We raden aan om deze voor verdere verwerking in een afgesloten verpakking af te leveren bij een lokaal inzamelstation. Gooi de olie niet weg bij het huisvuil en giet deze niet op de grond of in het riool.

LUCHTFILTER

Een vervuild luchtfilter belemmert de luchtstroming naar de carburateur, zodat de motor minder goed presteert. Als u de motor in een erg stoffige omgeving gebruikt, reinig het luchtfilter dan vaker dan staat aangegeven in het **ONDERHOUDSSHEMA** (zie pagina 6).

ATTENTIE

Als de motor draait zonder luchtfilter of met een beschadigd luchtfilter, komt er vuil in de motor, wat snelle slijtage van de motor veroorzaakt. Dit soort schade valt niet onder de garantie.

Inspectie

Verwijder het luchtfilterdeksel en inspecteer de luchtfilterelementen.

Reinig of vervang vervuilde luchtfilterelementen. Vervang beschadigde luchtfilterelementen altijd. Als de motor een oliebadluchtfilter heeft, controleer dan ook het oliepeil.

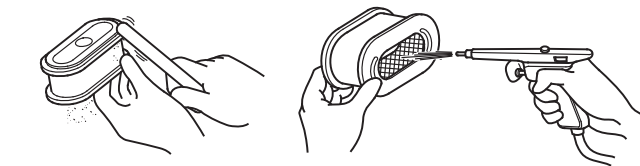
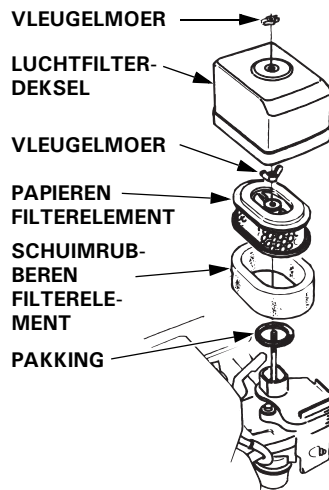
Zie de pagina's 9–10 voor instructies die van toepassing zijn op het luchtfilter en -element voor uw motoruitvoering.

Reinigen

[Uitvoeringen met dubbel filterelement]

1. Verwijder de vleugelmoer van het luchtfilterdeksel en neem het deksel af.
2. Verwijder de vleugelmoer van het luchtfilter en neem de filterelementen uit.
3. Verwijder het schuimrubber filterelement uit het papieren filterelement.
4. Controleer beide filterelementen en vervang ze als ze beschadigd zijn. Vervang het papieren filterelement altijd volgens het interval uit het onderhoudsschema (zie pagina 6).
5. Reinig de luchtfilterelementen als u ze opnieuw gebruikt.

STANDAARDFILTER MET DUBBEL FILTERELEMENT



Papieren filterelement: tik een paar keer met het filterelement op een hard oppervlak om vuil te verwijderen, of blaas met perslucht [maximale druk 207 kPa (2,1 kgf/cm²)] het filterelement vanaf de binnenzijde door. Borstel vuil nooit weg, u drukt de vuildeeltjes zo in de vezelstructuur.

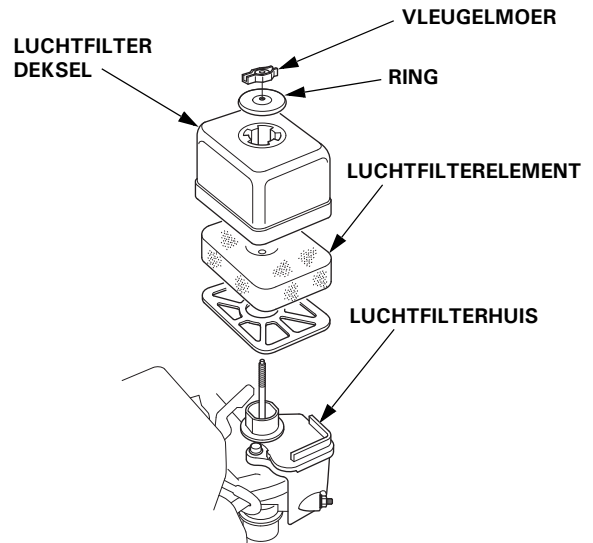
Schuimrubberen filterelement: Reinig in een warm zeepsopje, spoel met schoon water en laat dan grondig drogen. Of reinig in een niet-ontvlambaar oplosmiddel en laat vervolgens drogen. Drenk het filterelement in schone motorolie en knijp vervolgens alle overtollige olie uit. De motor zal bij de eerstvolgende start veel rook afgeven als er te veel olie in het schuimrubber achterblijft.



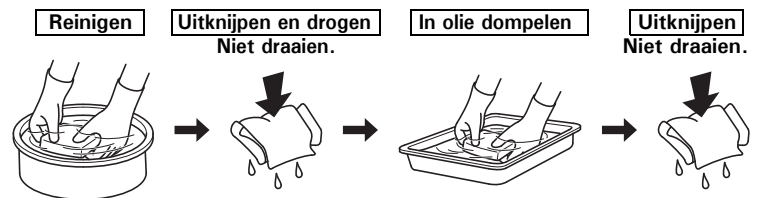
6. Veeg met een vochtige doek vuil weg van de binnenkant van het luchtfilterhuis en het filterdeksel. Wees voorzichtig en voorkom dat vuil vanuit de luchtbuis in de carburateur dringt.
7. Plaats het schuimrubberen filterelement over het papieren element en breng het zo samengebouwde luchtfilter aan. Controleer of de pakking onder het luchtfilter aanwezig is. Draai de luchtfiltervleugelmoer stevig vast.
8. Installeer het luchtfilterdeksel en draai de vleugelmoer stevig vast.

[uitvoeringen met halfdroog element]

1. Verwijder de vleugelmoer, verwijder de ring en het luchtfilterdeksel.
2. Haal het papieren luchtfilterelement uit het luchtfilterhuis.
3. Inspecteer het luchtfilterelement, en vervang hem als het beschadigd is.



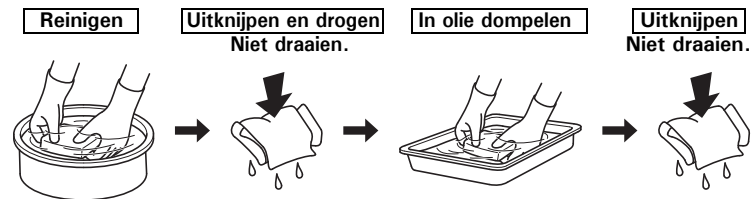
4. Reinig het luchtfilterelement als dit moet worden hergebruikt.



5. Veeg met een vochtige doek vuil weg van de binnenkant van het luchtfilterhuis en het filterdeksel. Wees voorzichtig en voorkom dat vuil vanuit de luchtbuis de carburateur binnendringt.
6. Plaats het luchtfilterelement in het luchtfilterhuis.
7. Plaats het luchtfilterdeksel en de ring.
8. Zet de vleugelmoer stevig vast.

[Oliebadtypen]

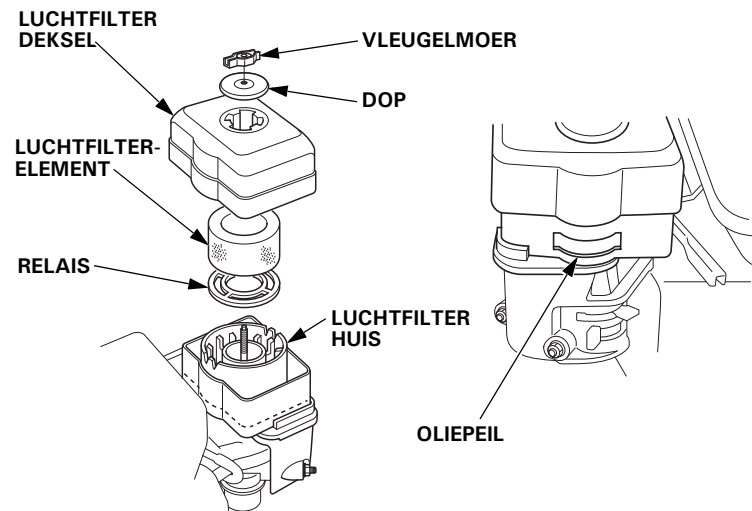
1. Verwijder de vleugelmoer en verwijder het luchtfilterdeksel en de kap.
2. Verwijder het luchtfilterelement van het deksel. Reinig het deksel en filterelement in een warm zeepsopje, spoel na en laat dan grondig drogen. Of reinig in een niet-ontvlambaar oplosmiddel en laat vervolgens drogen.
3. Drenk het filterelement in schone motorolie en wring vervolgens alle overtollige olie uit. De motor zal veel rook afgeven als er te veel olie in het schuimrubber achterblijft.



4. Giet de verbruikte olie uit het luchtfilterhuis, was eventueel aangekoekt vuil weg met een niet-ontvlambaar oplosmiddel en droog het luchtfilterhuis.
5. Vul het luchtfilterhuis tot aan de markering OIL LEVEL (OLIEPEIL) met dezelfde olie als wordt aanbevolen voor de motor (zie pagina 7).

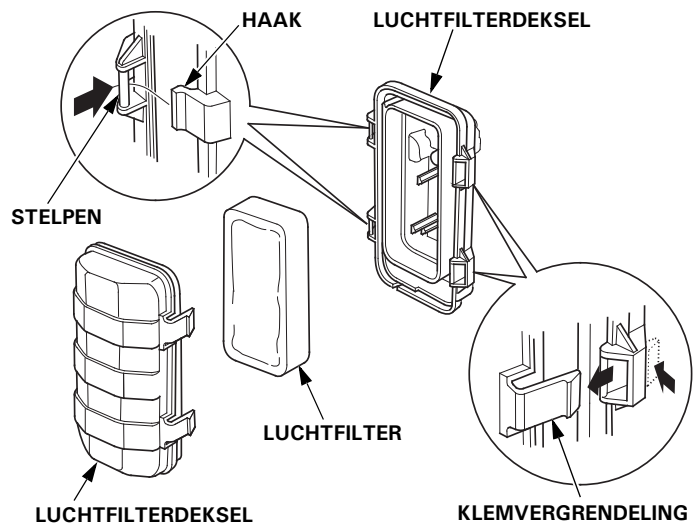
Olie-inhoud: 60 cm³

6. Monteer het luchtfilter en draai de vleugelmoer stevig vast.

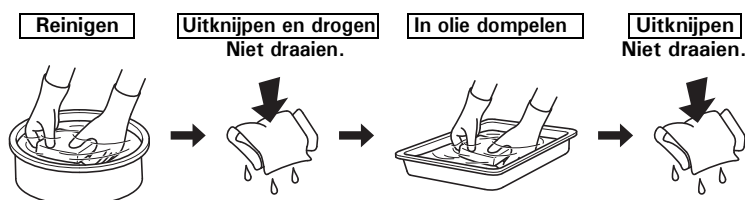


[Uitvoeringen met laag profiel]

1. Druk op de klemvergrendelingen en open het luchtfilterdeksel.
2. Haal de haakjes uit de stelpennen op het luchtfilterhuis en verwijder het luchtfilterdeksel aan de rechterkant van buis van het frame, en zorg ervoor dat het luchtfilterdeksel niet beschadigt.
3. Haal het luchtfilter uit het luchtfilterhuis.



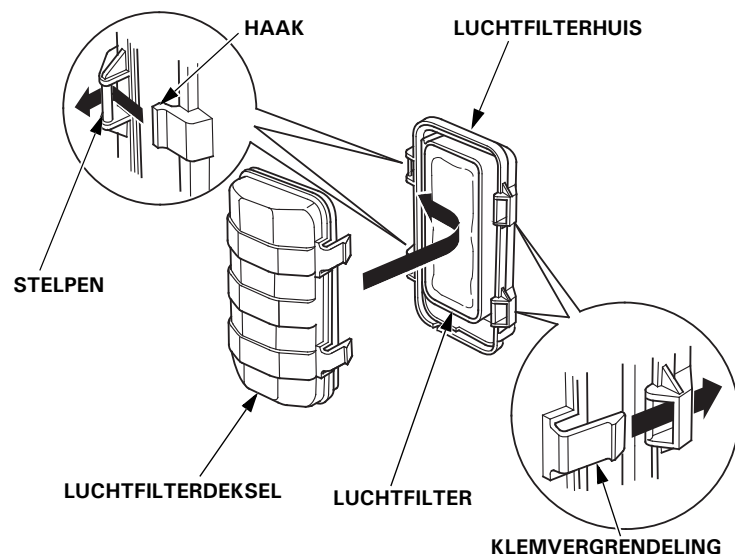
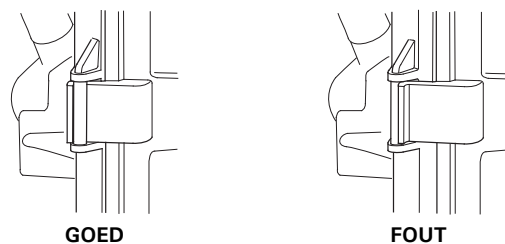
4. Inspecteer het luchtfilterelement, en vervang hem als het beschadigd is. Reinig het luchtfilterelement als dit moet worden hergebruikt.



5. Plaats het luchtfilter terug in het luchtfilterhuis.
6. Plaats de haakjes van het luchtfilterdeksel weer stevig in de stelpennen, en duw vervolgens op het luchtfilterdeksel op de klemvergrendelingen vast te zetten. Zorg ervoor dat het deksel stevig vast zit. Er mag geen opening zitten tussen het luchtfilterdeksel en het huis.

ATENTIE

Als de motor draait zonder luchtfilter of met een beschadigd luchtfilter, komt er vuil in de motor, wat snelle slijtage van de motor veroorzaakt. Dergelijke schade wordt niet gedekt door de garantie.



BOUGIE

Aanbevolen bougie: BPR6ES (NGK)
W20EPR-U (DENSO)

De aanbevolen bougie heeft de correcte warmtegraad voor de normale bedrijfstemperatuur van de motor.

ATENTIE

Het gebruik van een verkeerde bougie kan de motor beschadigen.

Als de motor gedraaid heeft, laat deze dan eerst afkoelen voordat u onderhoud aan de ontstekingsbougie uitvoert.

Voor een goede werking moeten de bougies de juiste elektrodenafstand hebben en mag er geen aanslag op aanwezig zijn.

1. Haal de bougiedop los van de bougie en verwijder eventueel vuil direct rondom de bougie.
2. Verwijder de bougie met een bougiesleutel van 21 mm.
3. Controleer het uiterlijk van de bougie. Vervang deze als hij beschadigd of erg vervuild is, als de onderlegging in slechte conditie is of als de elektrode versleten is.
4. Meet de elektrodenafstand met een voelmaat van het draadtype. Corrigeer de elektrodenafstand zo nodig door de zijelektrode voorzichtig iets te buigen. De elektrodenafstand moet zijn:
0,7–0,8 mm
5. Monteer de bougie zorgvuldig met de hand, om beschadiging van de schroefdraad te voorkomen.
6. Draai de bougie nadat deze is geplaatst nog iets vast met een bougiesleutel van 21 mm om de afdichtring samen te drukken.

Bij het monteren van een nieuwe bougie moet deze nadat hij aanligt nog 1/2 slag extra worden aangedraaid om de ring samen te drukken.

Bij het opnieuw monteren van de oude bougie moet deze nadat hij aanligt nog 1/8-1/4 slag extra worden aangedraaid om de ring vast te zetten.

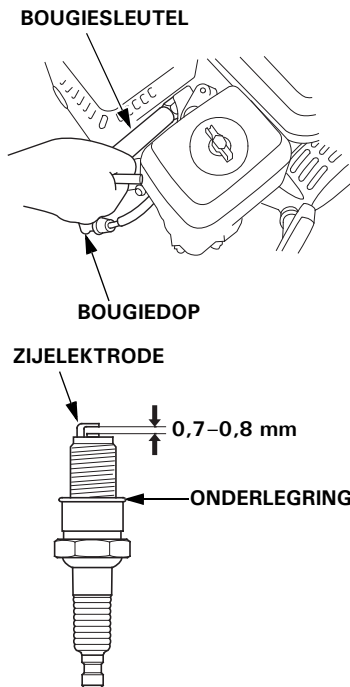
KOPPEL: 18 N·m (1,8 kgf·m)

ATENTIE

Door een losse bougie kan de motor oververhit raken en schade oplopen.

Als de bougie te strak wordt vastgedraaid, kan de schroefdraad in de cilinderkop worden beschadigd.

7. Bevestig de bougiedop op de bougie.



HANDIGE TIPS & SUGGESTIES

UW MOTOR STALLEN

Vorbereiding op stalling

Correct stallen is van groot belang om uw motor in storingsvrije conditie te houden en er goed te laten uitzien. Met de volgende stappen voorkomt u dat roest en corrosie de werking en de aanblik van uw motor verslechteren en zal de motor de volgende keer weer gemakkelijk starten.

Reinigen

Als de motor heeft gedraaid, laat dan minstens een half uur afkoelen voordat u gaat reinigen. Reinig de motor aan de buitenzijde, werk beschadigde lak bij en smeer andere gedeelten die kunnen roesten licht in met olie.

ATENTIE

Door te reinigen met water uit een tuinslang of met een hogedrukreiniger, kan er water in het luchtfilter of in de uitlaatdemperopening dringen. Water in het luchtfilter wordt opgezogen door het luchtfilterelement en water dat zo het luchtfilter of de uitlaatdemper passeert kan in de cilinder terecht komen en schade veroorzaken.

Brandstof

ATENTIE

Afhankelijk van de regio waar u de apparatuur gebruikt, kan de samenstelling van de brandstof snel verslechteren en oxideren. Verslechtering en oxidatie van de brandstof kunnen al binnen 30 dagen optreden en kunnen schade veroorzaken aan de carburateur en/of het brandstofsysteem. Raadpleeg uw onderhoudsdealer voor aanbevelingen voor opslag.

Benzine zal tijdens stalling oxideren en gaat dan kwalitatief achteruit. Met slechte benzine zal de motor moeilijk starten en blijft er een harsaanslag achter die het brandstofsysteem kan verstopen. Als de kwaliteit van de benzine in uw motor tijdens stalling achteruitgaat, is mogelijk extra onderhoud nodig aan de carburateur of andere onderdelen van het brandstofsysteem of moeten deze worden vervangen.

De tijdsduur dat benzine in uw brandstoftank en carburateur kan worden gelaten, zonder functionele problemen te veroorzaken, hangt van verschillende factoren af zoals benzinemengsel, uw opslagtemperaturen, en of de brandstoftank helemaal of gedeeltelijk vol is. De lucht in een gedeeltelijke gevulde brandstoftank bevordert brandstofverslechtering. Zeer warme opslagtemperaturen versnellen het brandstofverval. Brandstofverval kan binnen de 30 dagen voorkomen vanaf het houden van brandstof in de brandstoftank, of zelf minder als de brandstof niet vers was wanneer u de brandstoftank vulde.

Schade aan het brandstofsysteem om problemen met de prestatie van de motor die voortvloeien uit het niet-naleven van de opslagvoorbereiding vallen niet onder de garantie.

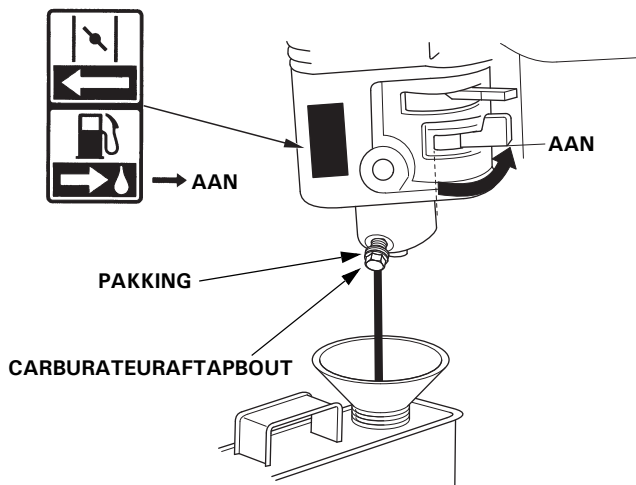
⚠ WAARSCHUWING

Benzine is uiterst brandbaar en explosief.

Bij de omgang met benzine kunt u brandwonden of ernstig letsel oplopen.

- Schakel de motor uit en houd warmtebronnen, vonken en open vuur uit de buurt.
- Werk alleen in de buitenlucht met benzine.
- Veeg gemorste brandstof direct weg.

1. Zet de brandstofkraanhendel in de stand OFF (UIT) (zie pagina 5).
2. Zet een goedgekeurd benzineopvangbakje onder de carburateur en gebruik een trechter om morsen van benzine te voorkomen.
3. Zet de brandstofkraanhendel in de stand ON (AAN) en draai de carburateuraftapbout los door deze 1 tot 2 slagen linksom te draaien.



4. Als alle brandstof is afgetapt, draait u de carburateuraftapbout stevig vast en zet u de brandstofkraan in de stand OFF (UIT).

Motorolie

1. Ververs de motorolie (zie pagina 8).
2. Verwijder de bougie (zie pagina 11).
3. Giet een theelepel 5–10 cm³ schone motorolie in de cilinder.
4. Trek een paar keer aan het startkoord om de olie in de cilinder te verdelen.
5. Breng de bougie weer aan.
6. Trek langzaam aan de handgreep aan het startkoord totdat u weerstand voelt en de inkeping op de starterpoelie tegenover het gat komt bovenin het deksel van de terugloopstarter. Hiermee sluit u de kleppen, zodat er geen vocht in de motorcilinder kan dringen. Laat de starterhandgreep rustig terugrollen.
7. Dek de motor af om stof buiten te houden.

Voorzorgen bij stalling

Als u uw motor stalt met benzine in de brandstoftank en de carburateur, moet het risico op ontbranding van benzinedamp zoveel mogelijk worden tegengegaan. Kies een goed geventileerde stallingruimte, op ruime afstand van apparatuur met open vuur zoals een fornuis, een waterverwarmer of een kledingdroger. Vermijd ook een plek met een elektromotor die vonken produceert of waar elektrisch gereedschap wordt gebruikt.

Kies ook geen stallingruimte die erg vochtig is, want vocht bevordert roest en corrosie.

Zet de motor horizontaal neer bij het stallen. Door te kantelen kan er brandstof- of olie lekkage ontstaan.

Dek de motor af nadat de motor en het uitlaatsysteem zijn afgekoeld, om stof buiten te houden. Een warme motor en uitlaatsysteem kunnen sommige materialen doen ontbranden of smelten. Gebruik geen plastic folie als afdekking tegen stof. Onder zo'n niet-doorlatende afdekking blijft vocht rondom de motor achter en verloopt roestvorming en corrosie sneller.

Uit stalling nemen

Controleer uw motor zoals beschreven in de paragraaf **GEbruIKSCONTROLES VOORAF** in deze handleiding (zie pagina 3).

Als u de brandstof hebt afgetapt ter voorbereiding op stalling, vul de tank dan weer met nieuwe benzine. Als u een benzinevat gebruikt om bij te tanken, zorg dan dat dit altijd alleen nieuwe benzine bevat. Na verloop van tijd oxideert benzine en verslechtert de kwaliteit, waardoor starten wordt bemoeilijkt.

Als de cilinder ter voorbereiding op stalling werd geolied, zal de motor kort roken bij de eerste start. Dit is normaal.

TRANSPORT

Als de motor heeft gedraaid, laat dan eerst minstens 15 minuten afkoelen voordat u de motor op het transportvoertuig zet. Een hete motor en uitlaatsysteem kunnen brandwonden veroorzaken en materialen doen ontbranden.

Houd de motor horizontaal wanneer u deze vervoert, om de kans op lekkage van brandstof te verkleinen. Zet de brandstofkraan in de stand OFF (UIT) (zie pagina 5).

ONVERWACHTE PROBLEMEN OPLOSSEN

MOTOR WIL NIET STARTEN

Mogelijke oorzaak	Correctie
Brandstofkraan OFF (UIT).	Zet hendel in stand ON (AAN).
Zet de choke open.	Zet hendel in stand CLOSED (DICHT) tenzij de motor warm is.
Motorschakelaar OFF (UIT).	Draai motorschakelaar in stand ON (AAN).
Motoroliepeil laag (Modellen met Oil Alert).	Vul bij met aanbevolen olie tot juiste niveau (pagina 8).
Geen brandstof.	Tanken (p. 7).
Slechte brandstof: motor opgeslagen zonder behandeling/ aftappen van benzine of slechte benzine getankt.	Tap de brandstoftank en de carburateur af (p. 12). Tank nieuwe benzine (p. 7).
Bougie defect, vuil of met verkeerde elektrodenafstand.	Pas elektrodenafstand aan of vervang bougie (p. 11).
Bougie nat van brandstof (verzopen motor).	Droog de bougie en plaats deze terug. Start motor met gashendel in stand MAX.
Storing in carburateur, storing in ontsteking, kleppen vast, etc.	Breng de motor naar uw onderhoudsdealer of raadpleeg het werkplaatshandboek.

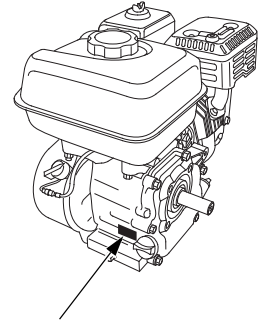
MOTOR HEEFT GEEN VERMOGEN

Mogelijke oorzaak	Correctie
Filterelement(en) verstopt.	Reinig of vervang filterelement(en) (p. 9–10).
Slechte brandstof: motor opgeslagen zonder behandeling/ aftappen van benzine of slechte benzine getankt.	Tap de brandstoftank en de carburateur af (p. 12). Tank nieuwe benzine (p. 7).
Storing in carburateur, storing in ontsteking, kleppen vast, etc.	Breng de motor naar uw onderhoudsdealer of raadpleeg het werkplaatshandboek.

TECHNISCHE INFORMATIE

Locatie serienummer

Noteer het motorserienummer in de ruimte hieronder. U heeft deze informatie nodig bij het bestellen van onderdelen en bij vragen over technische kwesties of over de garantie.



LOCATIE SERIENUMMER & LOCATIE MOTORTYPE

Motorserienummer: _____

Motortype: _____

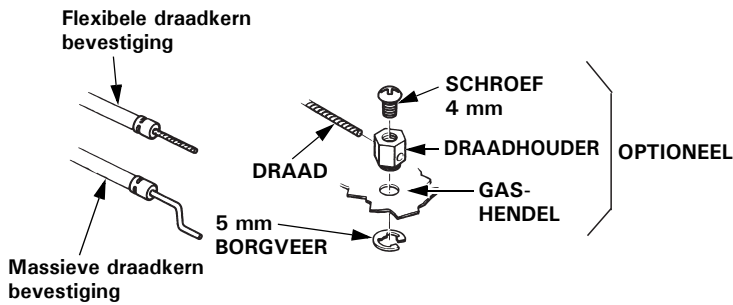
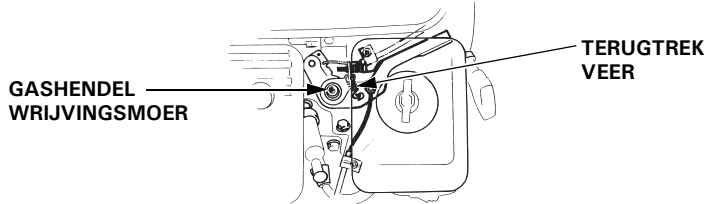
Aanschafdatum: ____ / ____ / ____

Verbinding Voor Externe Bediening

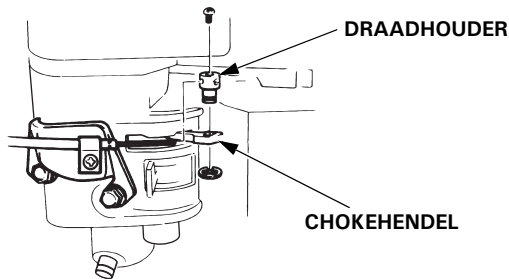
De gas-en chokehendels zijn uitgevoerd met gaten om een extra kabel te kunnen bevestigen. De volgende afbeeldingen tonen installatievoorbeelden van een massieve draadkabel en een kabel met flexibele gevlochten draad. Als u de kabel met buigzame gevlochten draad gebruikt, voeg dan zoals getoond een terugtrekveer toe.

De gashendelfrictiehoer moet u losdraaien als u de gashendel gebruikt met een externe bediening.

VERBINDING VOOR EXTERNE GASBEDIENING



VERBINDING VOOR EXTERNE BEDIENING CHOKE



Carburateurmodificaties voor werking op grotere geografische hoogte

Op grotere geografische hoogte is het lucht/brandstof mengsel van de standaardcarburateur te rijk. Dit veroorzaakt zowel een verlies van het vermogen als een hoger brandstofverbruik. Als het mengsel erg rijk is, raakte ook de bougie vervuild en zal de motor moeilijker starten. Bij langdurig gebruik op een afwijkende geografische hoogte dan waarvoor deze motor is gecertificeerd, kan de emissie toenemen.

De werking op grotere geografische hoogte kan worden verbeterd door specifieke modificaties aan de carburateur. Als u uw motor altijd gebruikt op een hoogte boven 1.500 meter, laat deze carburateurmodificatie dan uitvoeren door uw onderhoudsdealer. Als u deze motor op grotere hoogten gebruikt na de daarvoor bedoelde carburateurmodificatie, zal gedurende de gehele levensduur aan de emissienorm worden voldaan.

Ook met de carburateurmodificatie neemt het motorvermogen af met ca. 3,5% per elke 300 meter toename in hoogte. Het effect van de hoogte op het vermogen is echter groter als de carburateur niet wordt gemodificeerd.

ATTENTIE

Als de carburateur is gewijzigd voor gebruik op grotere geografische hoogte, is het lucht/brandstofmengsel te arm voor gebruik op lagere hoogten. Als u een gewijzigde carburateur gebruikt beneden 1.500 meter, kan de motor oververhit raken en kan er ernstige motorschade ontstaan. Laat bij gebruik op lagere hoogten uw onderhoudsdealer de carburateur weer wijzigen volgens de originele fabrieksspecificaties.

Specificaties

GP160 (PTO-astype S, met brandstoftank)

lengte × breedte × hoogte	306 × 363 × 335 mm
Drooggewicht [gewicht]	14,9 kg
Motortype	4-takt, bovenliggende klep, enkele cilinder
Cilinderinhoud [boring × slag]	163 cm ³ [68,0 × 45,0 mm]
Nettovermogen (in overeenstemming met SAE J1349*)	3,6 kW (4,9 pk) bij 3.600 tpm
Max. nettokoppel (in overeenstemming met SAE J1349*)	10,3 N·m (1,05 kgf·m) bij 2.500 tpm
Capaciteit motorolie	0,58 L
Inhoud van de brandstoftank	3,1 L
Koelsysteem	Geforceerde lucht
Ontstekingsstelsel	Magneto-transistor
Draaiing PTO-as	Linksom
Bereik bedrijfstemperatuur	-5 °C–40 °C

* Het nominale vermogen van de motor dat staat vermeld in dit document is het netto geleverd vermogen zoals getest aan een productiemotor voor het betreffende model, gemeten in overeenstemming met SAE J1349 bij 3.600 tpm (nettovermogen) en bij 2.500 tpm (max. nettokoppel). Motoren afkomstig van massaproductie kunnen van deze waarde afwijken.

Het feitelijk geleverd vermogen voor de motor die uiteindelijk in het chassis wordt ingebouwd, kan afhangen van talloze factoren, zoals het toerental van de motor in de praktijk, de omgevingsomstandigheden, het onderhoud en andere variabelen.

GP200 (PTO-astype S, met brandstoftank)

lengte × breedte × hoogte	315 × 378 × 335 mm
Drooggewicht [gewicht]	16,0 kg
Motortype	4-takt, bovenliggende klep, enkele cilinder
Cilinderinhoud [boring × slag]	196 cm ³ [68,0 × 54,0 mm]
Nettovermogen (in overeenstemming met SAE J1349*)	4,3 kW (5,8 pk) bij 3.600 tpm
Max. nettokoppel (in overeenstemming met SAE J1349*)	12,4 N·m (1,26 kgf·m) bij 2.500 tpm
Capaciteit motorolie	0,6 L
Inhoud van de brandstoftank	3,1 L
Koelsysteem	Geforceerde lucht
Ontstekingsstelsel	Magneto-transistor
Draaiing PTO-as	Linksom
Bereik bedrijfstemperatuur	-5 °C–40 °C

* Het nominale vermogen van de motor dat staat vermeld in dit document is het netto geleverd vermogen zoals getest aan een productiemotor voor het betreffende model, gemeten in overeenstemming met SAE J1349 bij 3.600 tpm (nettovermogen) en bij 2.500 tpm (max. nettokoppel). Motoren afkomstig van massaproductie kunnen van deze waarde afwijken.

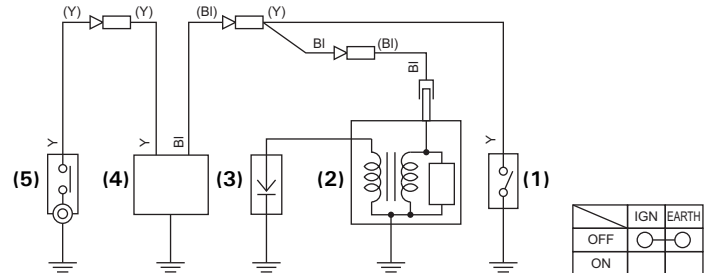
Het feitelijk geleverd vermogen voor de motor die uiteindelijk in het chassis wordt ingebouwd, kan afhangen van talloze factoren, zoals het toerental van de motor in de praktijk, de omgevingsomstandigheden, het onderhoud en andere variabelen.

Specificaties voor tune-up GP160/200

ONDERDEEL	SPECIFICATIE	ONDERHOUD
Elektrodenafstand	0,7–0,8 mm	Raadpleeg pagina: 11
Klepspeling (koud)	IN: 0,15 ± 0,02 mm UIT: 0,20 ± 0,02 mm	Neem contact op met uw onderhoudsdealer
Overige specificaties	Geen andere afstellingen nodig.	

Bedradingschema's

Met Oil Alert



- (1) MOTORSCHAKELAAR
- (2) BOBINE
- (3) BOUGIE
- (4) OIL ALERT-EENHEID
- (5) OLIEPEILSCHAKELAAR

Bl	Zwart	Br	Bruin
Y	Geel	O	Oranje
Bu	Blauw	Lb	Lichtblauw
G	Groen	Lg	Lichtgroen
R	Rood	P	Roze
W	Wit	Gr	Grijs

GEBRUIKERSINFORMATIE

INFORMATIE OVER DISTRIBUTEUR-/DEALERZOEKFUNCTIE

Bezoek onze website: <http://www.honda-engines-eu.com>

KLANTENSERVICE-INFORMATIE

De onderhoudsmonteurs bij uw dealerverstiging zijn goed opgeleide vakmensen. Zij zullen vrijwel elke vraag waarmee u zit kunnen beantwoorden. Als u een probleem heeft dat uw dealer niet naar tevredenheid oplost, bespreek dit dan met het management van de dealerverstiging. De werkplaatsmanager, algemeen manager of de eigenaar kunnen u helpen.

Vrijwel alle problemen worden op deze wijze opgelost.

Als u niet tevreden bent met een beslissing van het management van de dealerverstiging, neem dan contact op met het vermelde Honda kantoor.

< Honda kantoor >

Als u schrijft of belt, geef dan de volgende informatie door:

- De naam van de fabrikant en het modelnummer van de apparatuur waaraan de motor is gemonteerd
- Motoruitvoering, serienummer en type (zie pagina 13)
- Naam van de dealer die de motor aan u verkocht
- Naam, adres en contactpersoon van de dealer die het onderhoud aan uw motor verricht
- Aanschafdatum
- Uw naam, adres en telefoonnummer
- Een gedetailleerde beschrijving van het probleem

Honda Motor Europe Logistics NV.

European Engine Center

<http://www.honda-engines-eu.com>

Neem contact op met de Honda dealer in uw gebied voor assistentie.

INTRODUZIONE

Vi ringraziamo per aver acquistato un motore Honda. Desideriamo aiutarvi ad ottenere i migliori risultati e ad azionare con sicurezza il vostro nuovo motore. Questo manuale contiene informazioni su come farlo: vi preghiamo di leggerlo con attenzione prima di azionare il motore. In caso di problemi o domande, rivolgersi al concessionario.

Tutte le informazioni contenute in questa pubblicazione si basano sulle più recenti informazioni sul prodotto disponibili al momento della stampa. Honda Motor Co., Ltd. si riserva il diritto di apportare modifiche in qualunque momento senza preavviso e senza incorrere in alcun obbligo. Nessuna parte di questo manuale può essere riprodotta senza autorizzazione scritta.

Questo manuale deve essere considerato parte integrante del motore e deve accompagnare il motore in caso di successiva rivendita.

Consigliamo di leggere la polizza di garanzia per comprendere a fondo la copertura offerta e le responsabilità derivanti dalla proprietà.

Rivedere le istruzioni fornite con l'apparecchiatura alimentata da questo motore per ulteriori informazioni riguardanti l'avviamento, lo spegnimento, il funzionamento, le regolazioni o eventuali istruzioni specifiche di manutenzione del motore stesso.

MESSAGGI RIGUARDANTI LA SICUREZZA

La sicurezza propria e degli altri è molto importante. Sia il manuale sia il motore sono provvisti di importanti messaggi di sicurezza. Leggere questi messaggi con attenzione.

Un messaggio di sicurezza avvisa della presenza di potenziali pericoli che possono provocare lesioni a sé e ad altri. Ciascun messaggio di sicurezza è preceduto dal simbolo di allarme ⚠ e da uno dei tre termini seguenti: PERICOLO, ATTENZIONE o AVVERTENZA.

Queste parole significano:

⚠ PERICOLO

La mancata osservanza di queste istruzioni PROVOCA GRAVI LESIONI o la MORTE.

⚠ ATTENZIONE

La mancata osservanza di queste istruzioni POTREBBE PROVOCARE GRAVI LESIONI o la MORTE.

⚠ AVVERTENZA

La mancata osservanza di queste istruzioni POTREBBE PROVOCARE GRAVI LESIONI.

Ogni singolo messaggio spiega il tipo di pericolo, cosa può succedere e cosa si può fare per evitare o ridurre i danni.

MESSAGGI DI PREVENZIONE DEI DANNI

Esistono inoltre altri importanti messaggi preceduti dal termine AVVISIO.

Il significato di questo termine è il seguente:

AVVISIO

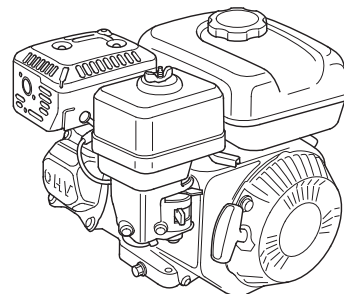
Il mancato rispetto delle istruzioni potrebbe provocare danni al motore o ad altre proprietà.

Lo scopo di tali messaggi è quello di aiutare a prevenire danni al motore, ad altre proprietà o all'ambiente.

HONDA

MANUALE DELL'UTENTE

GP160 • GP200



Le illustrazioni fanno riferimento al modello: PTO (presa di potenza) dell'albero motore tipo S, con serbatoio del carburante

• Le illustrazioni possono variare in base al tipo di macchina.

INDICE

INTRODUZIONE	1	FILTRO ARIA	9
MESSAGGI DI SICUREZZA	1	Controllo	9
INFORMAZIONI SULLA		Pulizia	9
SICUREZZA	2	CANDELA	11
UBICAZIONE DELLE ETICHETTE		CONSIGLI E SUGGERIMENTI	
DI SICUREZZA	2	UTILI	11
UBICAZIONE DEI COMPONENTI		RIMESSAGGIO DEL	
E DEI COMANDI.....	2	MOTORE	11
CARATTERISTICHE	3	TRASPORTO	12
CONTROLLI PRIMA DELL'USO...3		TRATTAMENTO DEI	
FUNZIONAMENTO	4	PROBLEMI IMPREVISTI	13
PRECAUZIONI PER UN USO		INFORMAZIONI TECNICHE	13
SICURO	4	Ubicazione dei numeri	
AVVIAMENTO DEL		di serie	13
MOTORE	4	Collegamento comando a	
ARRESTO DEL MOTORE	5	distanza	14
IMPOSTAZIONE DEL		Modifiche del carburatore per	
REGIME DEL MOTORE	5	funzionamento ad alta	
MANUTENZIONE DEL		quota	14
MOTORE.....	6	Specifiche	15
IMPORTANZA DELLA		Specifiche di messa	
MANUTENZIONE	6	a punto.....	15
SICUREZZA DURANTE LA		Schemi elettrici.....	15
MANUTENZIONE	6	INFORMAZIONI PER	
PRECAUZIONI DI		L'UTILIZZATORE	16
SICUREZZA.....	6	INFORMAZIONI PER	
PROGRAMMA DI		L'INDIVIDUAZIONE DI UN	
MANUTENZIONE	6	DISTRIBUTORE/	
RIFORNIMENTO	7	CONCESSIONARIO	16
OLIO MOTORE	7	INFORMAZIONI	
Olio consigliato.....	7	SULL'ASSISTENZA	
Controllo del livello		CLIENTI	16
dell'olio	8		
Cambio dell'olio	8		

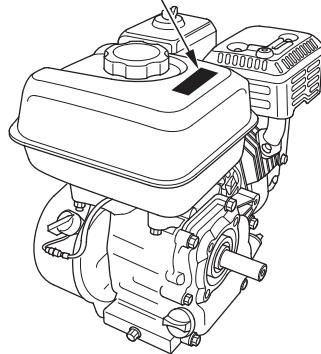
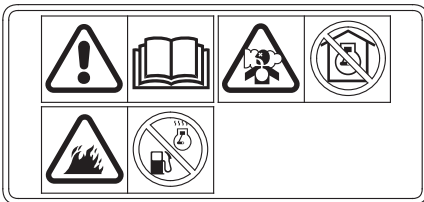
INFORMAZIONI SULLA SICUREZZA

- È essenziale comprendere il funzionamento di tutti i comandi e apprendere come arrestare rapidamente il motore in caso di emergenza. Assicurarsi che l'operatore riceva la formazione adeguata prima di azionare l'apparecchiatura.
- Non consentire ai bambini di azionare il motore. Tenere a distanza i bambini e gli animali domestici durante il funzionamento.
- Gli scarichi del motore contengono monossido di carbonio che è una sostanza velenosa.
Non azionare il motore in assenza della ventilazione adeguata e, in ogni caso, mai al chiuso.
- Il motore e lo scarico diventano estremamente caldi durante il funzionamento.
Mantenere il motore ad almeno 1 metro di distanza da edifici e da altri apparecchi durante l'utilizzo. Tenere lontano da materiali infiammabili e non posizionare nulla sul motore mentre è in funzione.

UBICAZIONE DELLE ETICHETTE DI SICUREZZA

Questa etichetta avverte dei potenziali pericoli che possono causare lesioni gravi. Leggere con attenzione.

Se una etichetta venisse rimossa oppure se divenisse difficile da leggere, contattare il proprio rivenditore per ottenerne una nuova.



La benzina è altamente infiammabile ed esplosiva.
Spegner il motore e lasciarlo raffreddare prima di effettuare il rifornimento.

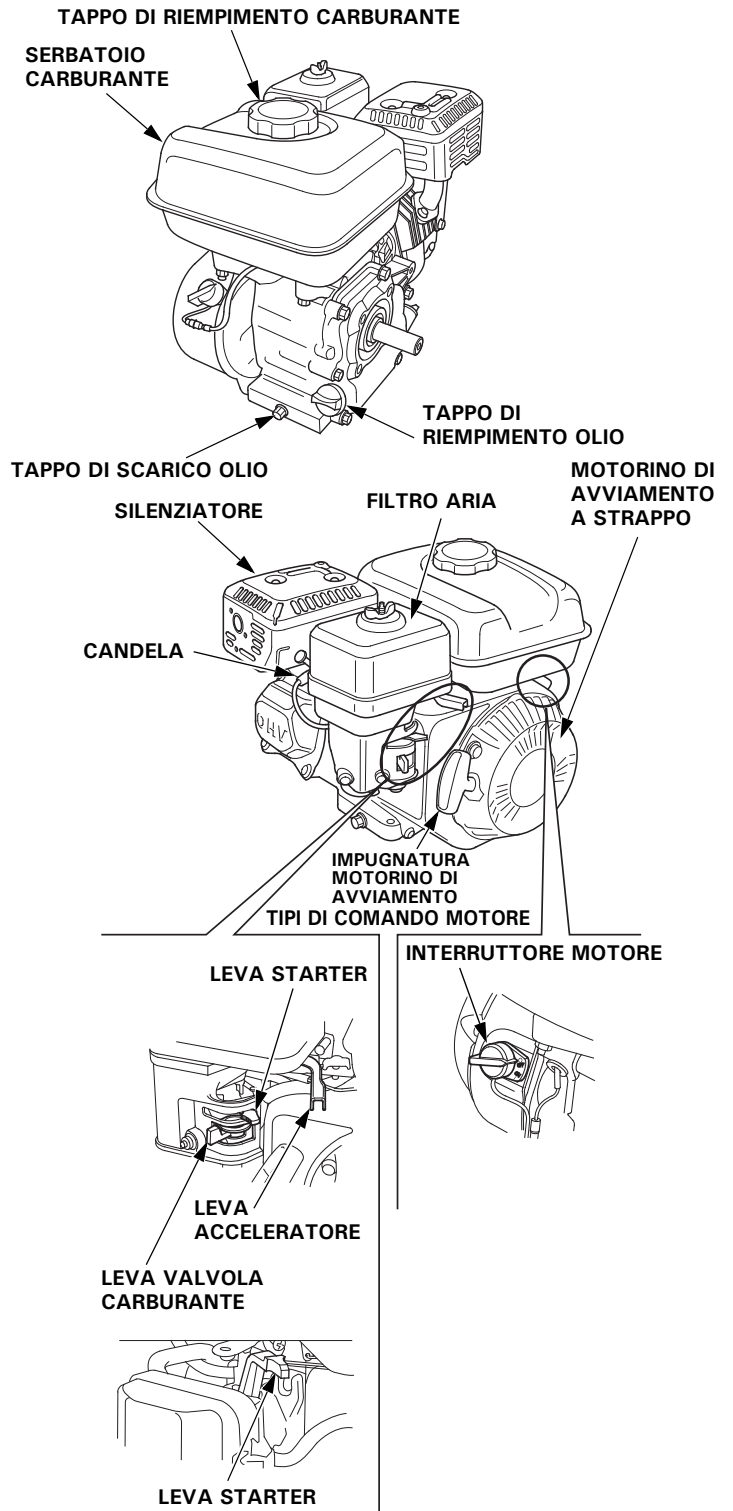


Il motore rilascia monossido di carbonio che è un gas tossico velenoso. Non azionare in un luogo chiuso.



Leggere il manuale d'uso prima di azionarlo.

UBICAZIONE DEI COMPONENTI E DEI COMANDI



CARATTERISTICHE

SISTEMA OIL ALERT (tipi applicabili)

Il sistema Oil Alert è progettato per evitare che il motore subisca dei danni dovuti ad una quantità insufficiente di olio nel carter. Prima che il livello dell'olio scenda sotto il limite consentito, il sistema Oil Alert arresta automaticamente il motore (l'interruttore del motore rimane in posizione ON (accensione)).

Se il motore si ferma e non riparte, controllare il livello dell'olio motore (vedere pagina 8) prima di eseguire la ricerca guasti in altre aree.

CONTROLLI PRIMA DELL'USO

IL MOTORE È PRONTO PER FUNZIONARE?

Per la propria sicurezza, per garantire la conformità alle normative ambientali e per massimizzare la vita utile dell'apparecchiatura, è estremamente importante dedicare alcuni istanti alla verifica delle condizioni del motore prima dell'accensione del motore. Occuparsi dei problemi eventualmente individuati o farli risolvere dal concessionario prima di azionare il motore.

ATTENZIONE

Se non si esegue la corretta manutenzione di questo motore o non si corregge un problema prima di utilizzarlo, si rischiano guasti significativi.

Alcuni guasti possono causare gravi lesioni personali o il decesso.

Eseguire sempre i controlli appropriati prima di ogni uso e risolvere gli eventuali problemi riscontrati.

Prima di intraprendere i controlli preliminari, verificare che il motore sia su una superficie piana e che l'interruttore del motore sia in posizione OFF (spegnimento).

Controllare sempre quanto segue prima di avviare il motore:

Controllare lo stato generale del motore

1. Verificare se il motore presenta segni di perdite di olio o di benzina.
2. Rimuovere sporco o corpi estranei in eccesso, specialmente attorno al silenziatore e al motorino di avviamento a strappo.
3. Verificare se vi sono segni di danni.
4. Controllare che tutte le protezioni e i coperchi siano in posizione e che tutti i dadi, i bulloni e le viti siano serrati.

Controllare il motore

1. Controllare il livello del carburante (vedere pagina 7). Effettuando l'avviamento a serbatoio pieno si contribuisce ad eliminare o ridurre le interruzioni del funzionamento a causa della necessità del rifornimento.
2. Controllare il livello dell'olio motore (vedere pagina 8). Azionando il motore con un livello dell'olio basso si rischia di danneggiarlo.

Il sistema Oil Alert (tipi applicabili) fermerà automaticamente il motore prima che l'olio scenda sotto i limiti di sicurezza. Tuttavia, per evitare uno spegnimento inatteso, controllare sempre il livello dell'olio motore prima dell'avviamento.

3. Controllare la cartuccia del filtro aria (vedere pagina 9). Una cartuccia del filtro aria sporca limiterà il flusso dell'aria verso il carburatore, riducendo le prestazioni del motore.
4. Controllare l'apparecchiatura alimentata da questo motore.

Rivedere le istruzioni fornite con l'apparecchiatura alimentata da questo motore per eventuali precauzioni e procedure da seguire prima dell'avviamento del motore.

FUNZIONAMENTO

PRECAUZIONI PER UN USO SICURO

Prima di azionare il motore per la prima volta, riesaminare la sezione **INFORMAZIONI DI SICUREZZA** a pagina 2 e **CONTROLLI PRIMA DELL'USO** a pagina 3.

Per la propria sicurezza, non azionare il motore in un ambiente chiuso quale un box. I gas di scarico del motore contengono monossido di carbonio, un gas velenoso che può rapidamente saturare un ambiente chiuso e causare disturbi o risultare letale.

⚠ ATTENZIONE

I gas di scarico contengono monossido di carbonio, un gas velenoso che in ambienti chiusi può raggiungere livelli nocivi.

Respirare monossido di carbonio può portare alla perdita di conoscenza o alla morte.

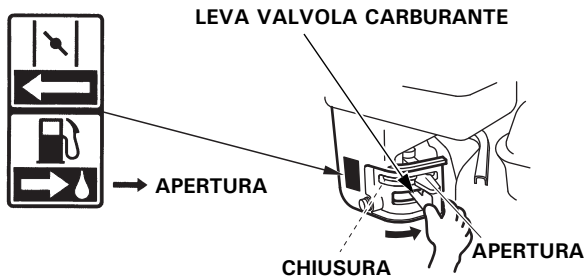
Non azionare mai il motore di questo prodotto in un ambiente chiuso o parzialmente chiuso, in cui siano presenti persone.

Rivedere le istruzioni fornite con l'apparecchiatura alimentata da questo motore per eventuali precauzioni da seguire in occasione dell'avviamento, spegnimento o funzionamento del motore.

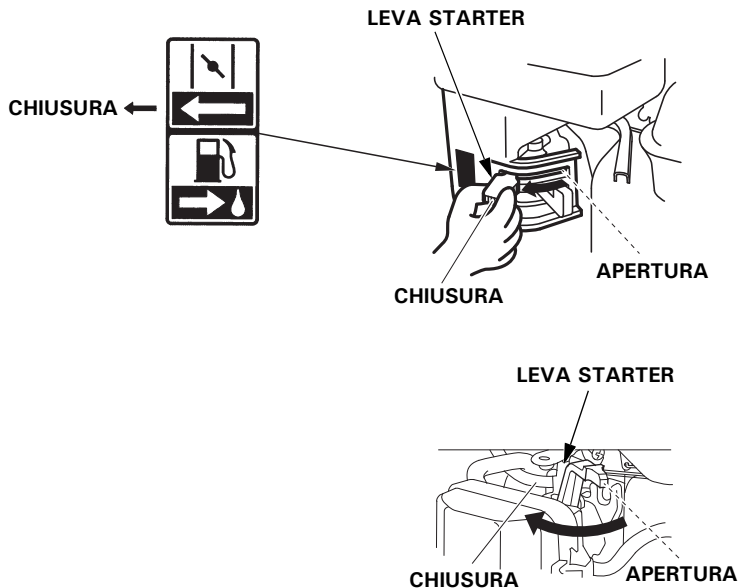
Non azionare il motore su pendenze superiori a 20° (36%).

AVVIAMENTO DEL MOTORE

1. Spostare la leva della valvola del carburante in posizione di APERTURA.



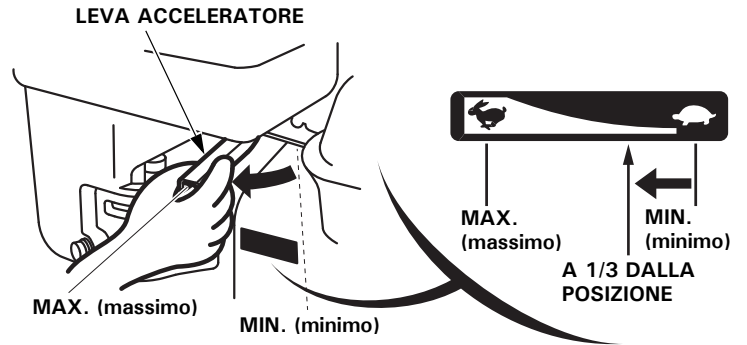
2. Per avviare un motore a freddo, spostare la leva dello starter o l'asta dello starter (tipi applicabili) in posizione di CHIUSURA.



Per riavviare il motore quando è ancora caldo, lasciare la leva dello starter o l'asta dello starter in posizione di APERTURA.

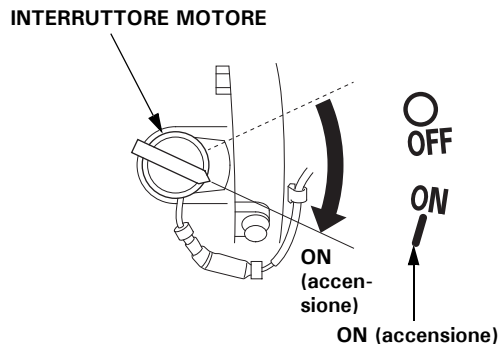
Alcuni motori sono muniti di comando dello starter remoto invece della leva di comando dello starter montata sul motore qui illustrata. Fare riferimento alle istruzioni fornite dal produttore dell'apparecchiatura.

3. Spostare la leva dell'acceleratore dalla posizione MIN. (minimo) di circa 1/3 verso la posizione MAX. (massimo).



Alcuni motori sono muniti di comando dell'acceleratore remoto invece della leva dell'acceleratore montata sul motore qui rappresentata. Fare riferimento alle istruzioni fornite dal produttore dell'apparecchiatura.

4. Ruotare l'interruttore del motore in posizione ON (accensione).

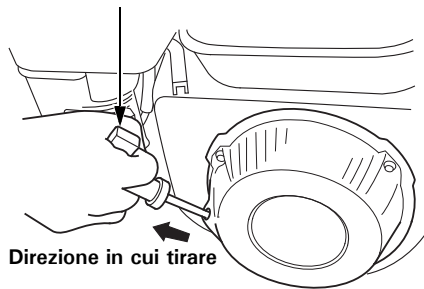


5. Azionare il motorino di avviamento.

MOTORINO DI AVVIAMENTO A STRAPPO

Tirare lentamente l'impugnatura del motorino di avviamento fino ad incontrare resistenza, quindi tirare di scatto verso la direzione indicata dalla freccia in figura. Rilasciare l'impugnatura del motorino di avviamento delicatamente.

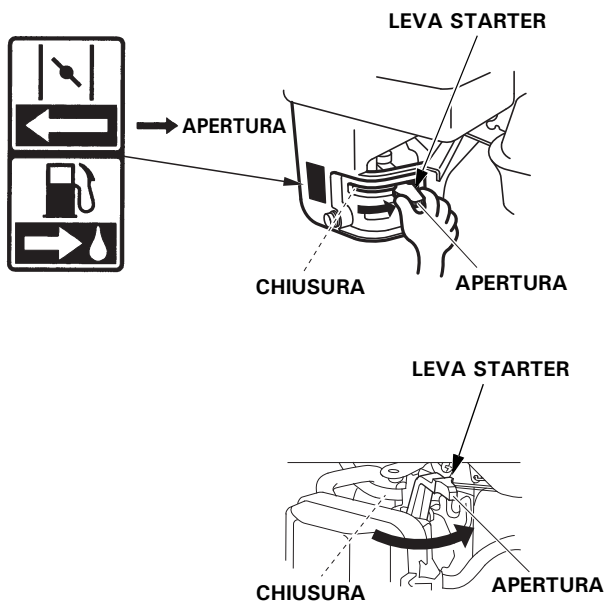
IMPUGNATURA MOTORINO DI AVVIAMENTO



AVVISO

*Non lasciare che la maniglia di avviamento scatti indietro urtando contro il motore.
Rilasciarla delicatamente per evitare di danneggiare il motorino di avviamento.*

6. Se la leva dello starter o l'asta dello starter (tipi applicabili) è stata portata in posizione di CHIUSURA per avviare il motore, spostarla gradualmente nella posizione di APERTURA mentre il motore si riscalda.

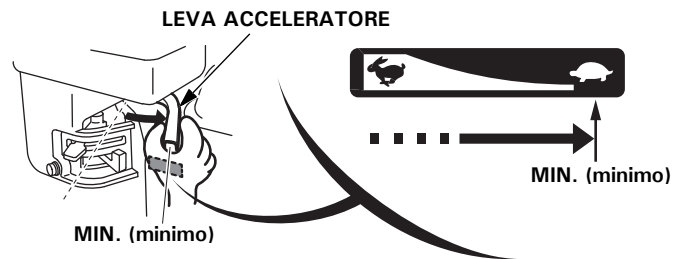


ARRESTO DEL MOTORE

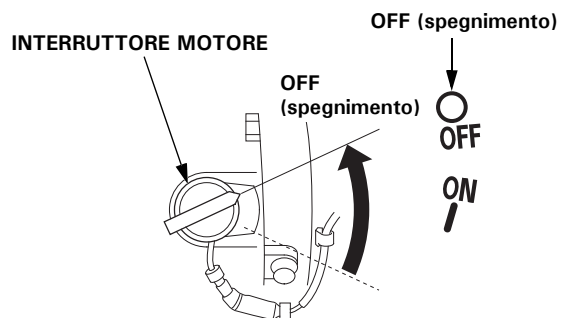
Per fermare il motore in caso di emergenza, portare semplicemente l'interruttore del motore in posizione OFF (spegnimento). In condizioni normali, utilizzare la procedura seguente. Fare riferimento alle istruzioni fornite dal produttore dell'apparecchiatura.

1. Spostare la leva dell'acceleratore completamente sulla posizione MIN. (minimo).

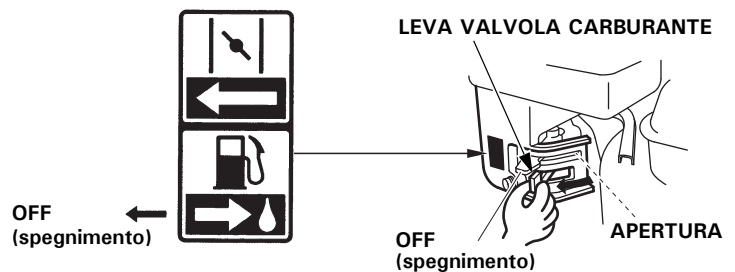
Alcuni motori sono muniti di comando dell'acceleratore remoto invece della leva dell'acceleratore montata sul motore qui rappresentata.



2. Portare l'interruttore del motore in posizione OFF (spegnimento).



3. Spostare la leva della valvola del carburante in posizione di OFF.

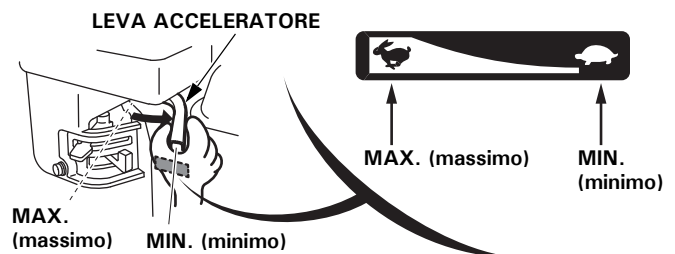


IMPOSTAZIONE DEL REGIME DEL MOTORE

Posizionare la leva dell'acceleratore in base al regime motore desiderato.

Alcuni motori sono muniti di comando dell'acceleratore remoto invece della leva dell'acceleratore montata sul motore qui rappresentata. Fare riferimento alle istruzioni fornite dal produttore dell'apparecchiatura.

Per i consigli sul regime del motore, fare riferimento alle istruzioni fornite con l'apparecchiatura azionata da questo motore.



MANUTENZIONE DEL MOTORE

IMPORTANZA DELLA MANUTENZIONE

Un'adeguata manutenzione è essenziale per il funzionamento sicuro, economico e senza problemi. Inoltre, consente di ridurre l'inquinamento.

⚠ ATTENZIONE

Se non si esegue la corretta manutenzione di questo motore o non si corregge un problema prima di utilizzarlo, si rischiano guasti significativi.

Alcuni guasti possono causare gravi lesioni personali o il decesso.

Seguire sempre i consigli riguardanti il controllo e la manutenzione riportati nel manuale d'uso.

Per aiutarvi a prendervi cura del motore in modo efficiente, le seguenti pagine comprendono un programma di manutenzione, le procedure di controllo di routine e le semplici procedure di manutenzione effettuabili con gli utensili manuali essenziali. Le altre attività di manutenzione più complesse, o che richiedono utensili speciali, vengono eseguite al meglio dai professionisti e sono solitamente effettuate da tecnici Honda o meccanici qualificati.

Il programma di manutenzione è applicabile alle normali condizioni di funzionamento. Se il motore viene azionato in condizioni gravose, quali carichi elevati prolungati o alte temperature, o viene utilizzato in condizioni insolitamente umide o polverose, rivolgersi al concessionario per i consigli applicabili ad ogni singola necessità e impiego.

Usare soltanto ricambi originali Honda Genuine o pezzi equivalenti. L'uso di componenti di ricambio di qualità non equivalente potrebbe danneggiare il motore.

SICUREZZA DURANTE LA MANUTENZIONE

Di seguito sono elencate alcune delle principali precauzioni di sicurezza. Tuttavia, ricordarsi che è impossibile avvisare di tutti i pericoli possibili che possono insorgere durante le attività di manutenzione. Solo l'addetto all'intervento può decidere se è necessario eseguire una determinata procedura.

⚠ ATTENZIONE

La manutenzione impropria può compromettere la sicurezza di utilizzo.

La mancata osservanza delle istruzioni e delle precauzioni di manutenzione può causare lesioni personali gravi o la morte.

Seguire sempre le procedure e le precauzioni indicate in questo manuale d'uso.

PRECAUZIONI DI SICUREZZA

- Controllare che il motore sia spento prima di iniziare qualsiasi tipo di intervento di manutenzione o di riparazione. Per evitare avviamenti involontari, scollegare il cappuccio della candela. Ciò contribuirà ad eliminare numerosi potenziali rischi:
 - **Emissioni velenose di monossido di carbonio dal tubo di scarico del motore.**
Operare in ambiente aperto, lontano da porte e finestre aperte.
 - **Ustioni in seguito al contatto con componenti molto caldi.**
Lasciar raffreddare il motore e il sistema di scarico prima di intervenire su di essi.
 - **Lesioni causate da parti in movimento.**
Azionare il motore solo se espressamente indicato.
- Leggere tutte le istruzioni prima di iniziare ed accertarsi di avere gli attrezzi e i requisiti richiesti.
- Per ridurre la possibilità di incendio o esplosione, prestare particolare attenzione quando si lavora in prossimità della benzina. Per pulire i componenti, utilizzare soltanto solventi incombustibili, mai benzina. Tenere lontano sigarette, scintille e fiamme da tutti i componenti correlati al carburante.

Ricordarsi che i concessionari autorizzati Honda conoscono al meglio il vostro motore e sono perfettamente equipaggiati per effettuare interventi di manutenzione e riparazione.

Per garantire la migliore qualità e affidabilità, in occasione di riparazioni e sostituzioni usare soltanto componenti originali Honda nuovi o equivalenti.

PROGRAMMA DI MANUTENZIONE

INTERVALLO DI MANUTENZIONE PERIODICA (1)		A ogni utilizzo	Primo mese oppure 20 ore	Ogni 3 mesi oppure 50 ore	Ogni 6 mesi oppure 100 ore	Ogni anno oppure 300 ore	Fare riferimento a pagina
Effettuare ad ogni intervallo di mesi o ore di funzionamento indicati, a seconda di quello che si verifica prima.							
VOCE							
Olio motore	Controllare il livello	o					8
	Sostituire		o		o		8
Filtro aria	Controllare	o					9-10
	Pulire			o (2)			9-10
	Sostituire					o*	
Candela	Controllare-regolare				o		11
	Sostituire					o	
Regime minimo	Controllare-regolare					o (3)	Manuale d'officina
Gioco valvole	Controllare-regolare					o (3)	Manuale d'officina
Camera di combustione	Pulire	Ogni 500 ore (3)					Manuale d'officina
Serbatoio carburante e filtro	Pulire				o (3)		Manuale d'officina
Tubo del carburante	Controllare	Ogni 2 anni (sostituire se necessario) (3)					Manuale d'officina

* Sostituire solo il tipo con cartuccia in carta.

- (1) Per l'uso commerciale, registrare le ore di funzionamento per determinare i corretti intervalli di manutenzione.
- (2) Quando si utilizza la macchina in zone polverose, eseguire le operazioni di assistenza con maggiore frequenza.
- (3) La manutenzione di tali parti deve essere effettuata dal vostro concessionario, a meno che non si disponga degli utensili adeguati e delle conoscenze meccaniche qualificate. Fare riferimento al manuale d'officina Honda per le procedure di manutenzione.

La mancata osservanza di questo programma di manutenzione può provocare guasti non coperti dalla garanzia.

RIFORNIMENTO

Carburante consigliato

Benzina senza piombo
Numero di ottano di almeno 91
Numero di ottano alla pompa di almeno 86

Questo motore è certificato per funzionare con benzina senza piombo con un numero di ottano di almeno 91 (un numero di ottano alla pompa pari o superiore a 86).

Fare rifornimento in un luogo ben ventilato e a motore spento. Se il motore era in funzione, lasciarlo prima raffreddare. Non eseguire mai il rifornimento all'interno di un edificio in cui i fumi del carburante potrebbero raggiungere fiamme o scintille.

È possibile usare benzina senza piombo contenente una percentuale di etanolo (E10) non superiore al 10% o di metanolo superiore al 5%. Inoltre, il metanolo deve contenere cosolventi e inibitori di corrosione. L'uso di carburanti con un contenuto di etanolo o metanolo superiore a quanto sopraindicato può causare problemi di accensione e/o di prestazioni. Può anche danneggiare le parti in metallo, gomma e plastica dell'impianto di alimentazione. Eventuali danni al motore o problemi di prestazioni derivanti dall'uso di carburanti contenenti percentuali di etanolo o metanolo superiori a quanto sopraindicato non sono coperti dalla garanzia.

Se l'apparecchiatura viene utilizzata occasionalmente, fare riferimento alla sezione "Carburante" del capitolo *RIMESSAGGIO DEL MOTORE* (vedere pagina 11) per ulteriori informazioni riguardanti il deterioramento del carburante.

Mai utilizzare benzina vecchia, contaminata o mescolata con olio. Evitare di gettare sporcizia o acqua nel serbatoio del carburante.

⚠ ATTENZIONE

La benzina è altamente infiammabile ed esplosiva e può quindi causare ustioni o lesioni serie in occasione dei rifornimenti.

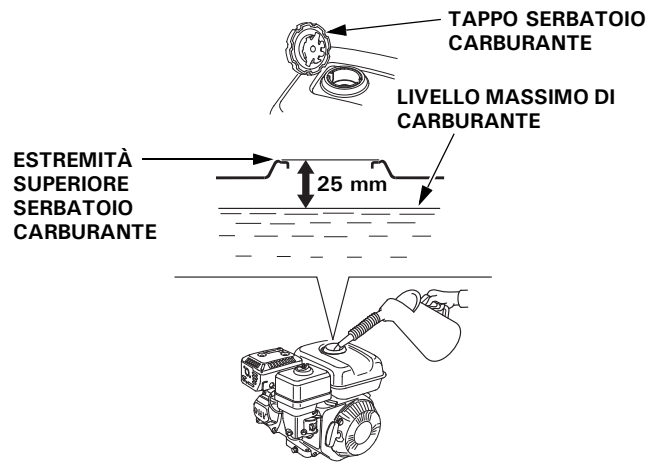
- Spegnerne il motore e lasciarlo raffreddare prima di effettuare il rifornimento.
- Tenere lontani calore, scintille e fiamme libere.
- Fare rifornimento solo all'aperto.
- Pulire immediatamente eventuali perdite.

AVVISO

Il carburante può danneggiare la vernice e alcuni tipi di plastica. Attenzione a non versare il carburante quando si riempie il serbatoio. I danni causati dallo spargimento di carburante non vengono coperti dalla garanzia.

Per informazioni sul rifornimento, fare riferimento alle istruzioni della casa produttrice fornite con l'apparecchiatura. Fare riferimento alle seguenti istruzioni di rifornimento di un serbatoio del carburante standard fornito da Honda.

1. Con il motore spento e su una superficie livellata, rimuovere il tappo di riempimento del carburante e controllare il livello del carburante. Riempire il serbatoio se il livello del carburante è basso.
2. Aggiungere carburante fino livello massimo del serbatoio del carburante. Non riempire completamente il serbatoio del carburante. Non riempire eccessivamente. Asciugare il carburante eventualmente fuoriuscito prima di avviare il motore.



3. Effettuare il rifornimento con cautela al fine di evitare perdite di carburante. Riempire il serbatoio fino a circa 25 mm dalla parte superiore per permettere l'espansione del carburante. Potrebbe essere necessario ridurre il livello del carburante a seconda delle condizioni di funzionamento. Dopo il rifornimento, serrare saldamente il tappo di riempimento carburante.

Tenere lontana la benzina dalle spie luminose degli apparecchi, da barbecue, elettrodomestici, utensili elettrici, ecc.

La benzina fuoriuscita non solo costituisce un pericolo d'incendio ma è anche fonte di inquinamento ambientale. Pulire immediatamente eventuali perdite.

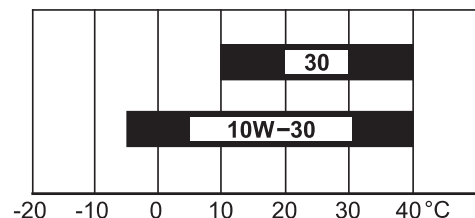
OLIO MOTORE

L'olio è uno dei fattori principali che influiscono sulle prestazioni e sulla vita utile.

Utilizzare un olio detergente per automobili con motore a 4 tempi.

Olio consigliato

Usare olio per motori a 4 tempi che sia almeno conforme ai requisiti per la categoria API SE o successive (o equivalenti). Controllare sempre l'etichetta di servizio API sul contenitore dell'olio per accertarsi che siano riportate le lettere SE o una classificazione successiva (o equivalente).



TEMPERATURA AMBIENTE

SAE 10W-30 è consigliato per l'uso generico. È possibile utilizzare le altre viscosità indicate nella tabella quando la temperatura media della propria zona è compresa nell'intervallo indicato.

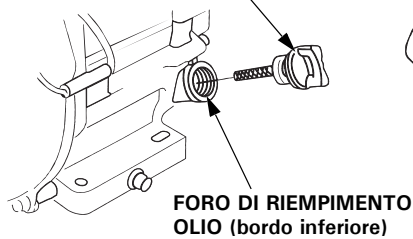
Dopo aver maneggiato l'olio esausto, lavare le mani con acqua e sapone.

Controllo del livello dell'olio

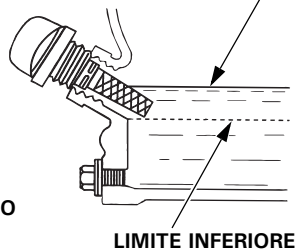
Controllare il livello dell'olio motore a motore spento e su una superficie livellata.

1. Rimuovere il tappo di riempimento/astina di livello olio e pulire.
2. Inserire il tappo di riempimento/astina di livello dell'olio nel bocchettone di riempimento senza avvitarlo, quindi rimuoverlo per controllare il livello dell'olio.
3. Se il livello dell'olio è vicino o inferiore al livello inferiore sull'astina di livello, rabboccare con l'olio consigliato (vedere pagina 7) fino alla tacca del limite superiore (bordo inferiore del foro di riempimento dell'olio). Non riempire eccessivamente.
4. Reinstallare il tappo di riempimento/astina di livello dell'olio.

TAPPO DI RIEMPIMENTO/ ASTINA DI LIVELLO OLIO



LIMITE SUPERIORE



AVVISO

Azionando il motore con un livello dell'olio basso si rischia di danneggiarlo. Questo tipo di danni non è coperto dalla garanzia.

Il sistema Oil Alert (tipi applicabili) fermerà automaticamente il motore prima che l'olio scenda sotto il limite di sicurezza. Tuttavia, per evitare uno spegnimento inatteso, controllare sempre il livello dell'olio motore prima dell'avviamento.

Cambio dell'olio

Scaricare l'olio esausto a motore caldo. L'olio caldo viene scaricato velocemente e completamente.

1. Posizionare un recipiente adatto sotto il motore per raccogliere l'olio esausto, quindi rimuovere il tappo di riempimento/astina di livello dell'olio, il tappo di scarico dell'olio e la rondella.
2. Lasciare scaricare completamente l'olio esausto, quindi reinstallare il tappo di scarico dell'olio e una rondella di tenuta nuova, quindi serrare a fondo il tappo di scarico dell'olio.
3. Con il motore in posizione livellata, riempire con l'olio consigliato (vedere pagina 7) fino alla tacca del limite superiore (bordo inferiore del foro di riempimento olio) sull'astina di livello.

Capacità olio motore: GP160: 0,58 L
GP200: 0,6 L

AVVISO

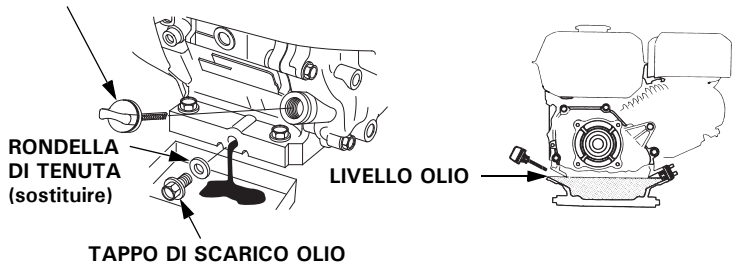
Azionando il motore con un livello dell'olio basso si rischia di danneggiarlo. Questo tipo di danni non è coperto dalla garanzia.

Il sistema Oil Alert (tipi applicabili) fermerà automaticamente il motore prima che l'olio scenda sotto il limite di sicurezza.

Tuttavia, per evitare la molestia di uno spegnimento inatteso, rabboccare fino al limite superiore e controllare regolarmente il livello dell'olio.

4. Installare il tappo di riempimento/astina di livello dell'olio e serrarlo saldamente.

TAPPO DI RIEMPIMENTO/ ASTINA DI LIVELLO OLIO



Dopo aver maneggiato l'olio esausto, lavare le mani con acqua e sapone.

AVVISO

Smaltire l'olio esausto rispettando l'ambiente. Trasportarlo in un contenitore sigillato alla stazione di rifornimento locale. Non gettarlo nella spazzatura, a terra o nei condotti di scarico.

FILTRO ARIA

Un filtro sporco limita il passaggio dell'aria al carburatore, riducendo in tal modo le prestazioni del motore. Se si aziona il motore in zone molto polverose, pulire il filtro dell'aria più spesso di quanto specificato nel **PROGRAMMA DI MANUTENZIONE** (vedere pagina 6).

AVVISO

L'azionamento del motore sprovvisto di filtro dell'aria o con un del filtro dell'aria danneggiato consentirà alle impurità di entrare nel motore, provocandone una rapida usura. Questo tipo di danni non è coperto dalla garanzia.

Controllo

Rimuovere il coperchio del filtro dell'aria e controllare le cartucce. Pulire o sostituire le cartucce sporche. Sostituire sempre le cartucce danneggiate. Se è presente un filtro dell'aria a bagno d'olio, controllare anche il livello dell'olio.

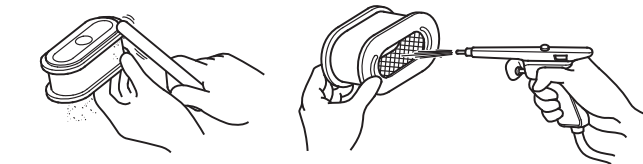
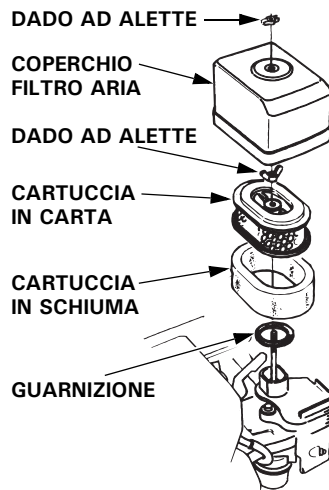
Consultare le pagine 9–10 per le istruzioni riguardanti il filtro dell'aria e la cartuccia specifici per il proprio tipo di motore.

Pulizia

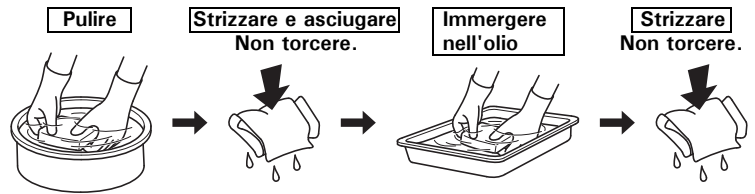
[Tipi a cartucce filtranti doppie]

1. Rimuovere il dado ad alette dal coperchio del filtro dell'aria e rimuovere il coperchio.
2. Rimuovere il dado ad alette dal filtro dell'aria e rimuovere le cartucce.
3. Rimuovere la cartuccia in spugna dalla cartuccia in carta.
4. Controllare entrambe le cartucce del filtro e sostituirle se sono danneggiate. Sostituire sempre la cartuccia in carta all'intervallo programmato (vedere pagina 6).
5. Pulire le cartucce del filtro dell'aria se devono essere riutilizzate.

TIPO A ELEMENTO FILTRANTE DOPPIO STANDARD



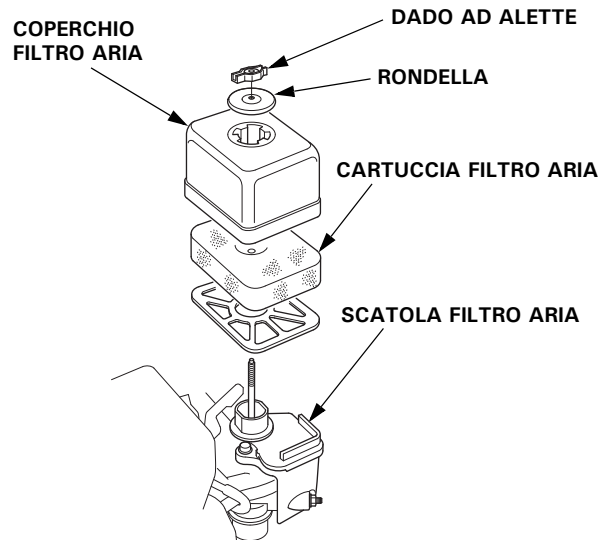
Cartuccia in schiuma: Pulire in acqua saponata tiepida, risciacquare e lasciare asciugare perfettamente. Oppure, pulire con un solvente non infiammabile e lasciare asciugare. Immergere la cartuccia del filtro in olio motore pulito, quindi strizzarla per espellere l'olio in eccesso. Se la spugna è particolarmente imbevuta di olio, fuoriuscirà del fumo dal motore al primo avviamento.



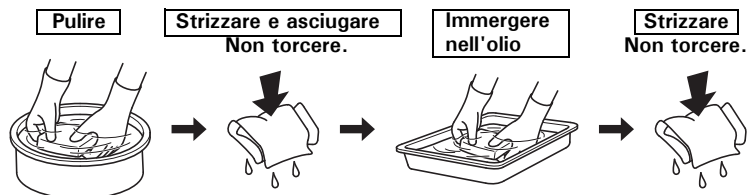
6. Pulire la sporcizia dall'interno della scatola del filtro dell'aria e del coperchio usando un panno umido. Non fare entrare la sporcizia nel condotto dell'aria che porta al carburatore.
7. Posizionare la cartuccia in schiuma sulla cartuccia in carta, quindi reinstallare il filtro dell'aria assemblato. Accertarsi che la guarnizione sia in posizione sotto il filtro dell'aria. Serrare a fondo il dado ad alette del filtro dell'aria.
8. Installare il coperchio del filtro dell'aria e serrare a fondo il dado ad alette.

[Tipi con cartucce a semisecco]

1. Svitare il dado ad alette, rimuovere la rondella e il coperchio del filtro aria.
2. Rimuovere la cartuccia del filtro aria dalla scatola del filtro aria.
3. Controllare la cartuccia del filtro e sostituirla se è danneggiata.



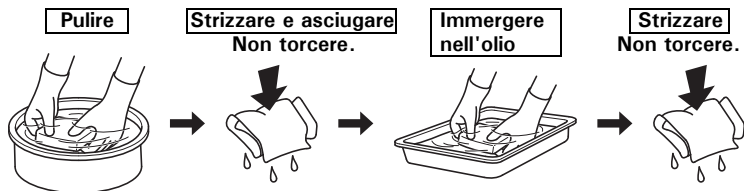
4. Pulire la cartuccia del filtro dell'aria se deve essere riutilizzata.



5. Pulire la sporcizia dall'interno della scatola del filtro dell'aria e del coperchio usando un panno umido. Non fare entrare la sporcizia nel condotto dell'aria che porta al carburatore.
6. Installare la cartuccia del filtro aria sulla scatola del filtro aria.
7. Installare il coperchio e la rondella del filtro aria.
8. Avvitare saldamente il dado ad alette.

[Tipi a bagno d'olio]

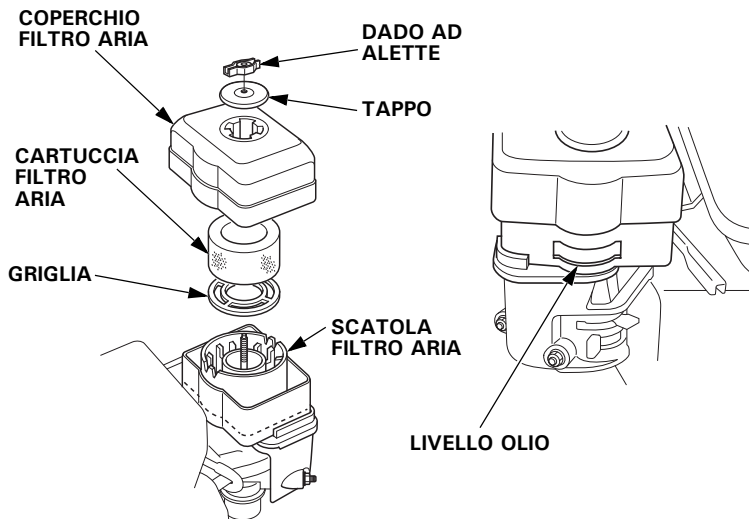
1. Rimuovere il dado ad alette e rimuovere il tappo e il coperchio del filtro dell'aria.
2. Rimuovere la cartuccia del filtro aria dal coperchio. Lavare il coperchio e la cartuccia in acqua saponata calda, sciacquare e lasciare asciugare completamente. Oppure, pulire con un solvente non infiammabile e lasciare asciugare.
3. Immergere la cartuccia del filtro in olio motore pulito, quindi strizzarla per espellere l'olio in eccesso. Se la spugna è particolarmente imbevuta di olio, fuoriuscirà del fumo dal motore.



4. Scaricare l'olio esausto dalla scatola del filtro dell'aria, lavare la sporcizia accumulata con un solvente non infiammabile e asciugare la scatola.
5. Riempire la scatola del filtro dell'aria fino alla tacca LIVELLO OLIO con il medesimo olio consigliato per il motore (vedere pagina 7).

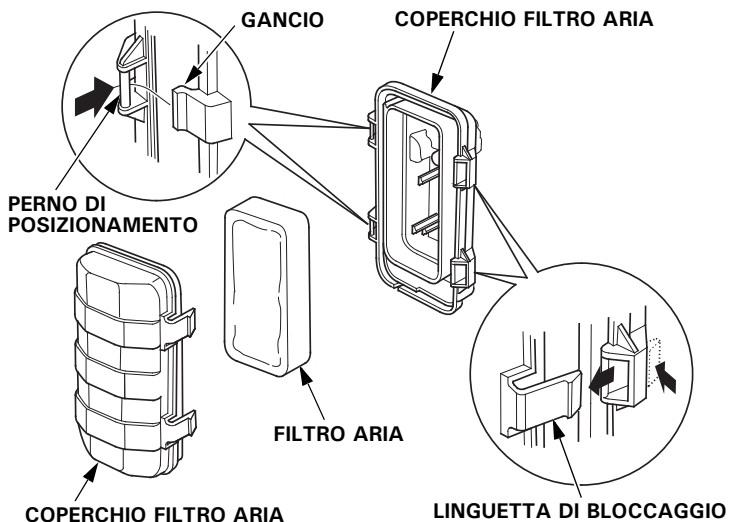
Capacità olio: 60 cm³

6. Rimontare il filtro dell'aria e serrare a fondo il dado ad alette.

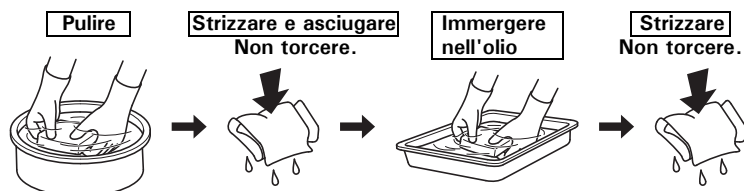


[Tipi a basso profilo]

1. Premere le linguette di bloccaggio e aprire il coperchio del filtro aria.
2. Liberare i ganci dai perni di posizionamento sulla scatola del filtro aria e rimuovere il coperchio del filtro aria sul lato destro del telaio, facendo attenzione a non danneggiare il coperchio del filtro aria.
3. Rimuovere il filtro aria dalla scatola del filtro aria.



4. Controllare la cartuccia del filtro e sostituirla se è danneggiata. Pulire la cartuccia del filtro dell'aria se deve essere riutilizzata.

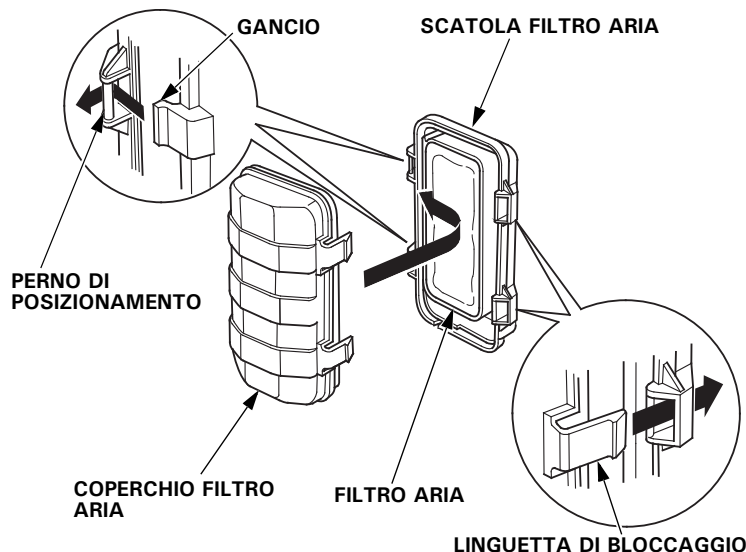
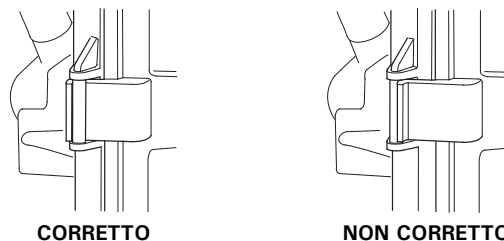


5. Reinstallare il filtro aria nella scatola del filtro aria.

6. Posizionare saldamente i ganci del coperchio del filtro aria sui perni di posizionamento, quindi premere il coperchio del filtro aria per inserire le linguette di bloccaggio. Verificare che il coperchio sia posizionato saldamente. Non deve esserci gioco tra il coperchio e la scatola del filtro aria.

AVVISO

L'azionamento del motore sprovvisto di filtro dell'aria o con un del filtro dell'aria danneggiato consentirà alle impurità di entrare nel motore, provocandone una rapida usura. Questo tipo di danni non è coperto dalla garanzia.



CANDELA

Candela consigliata: BPR6ES (NGK)
W20EPR-U (DENSO)

La candela consigliata ha il grado termico corretto per le temperature di funzionamento del motore normali.

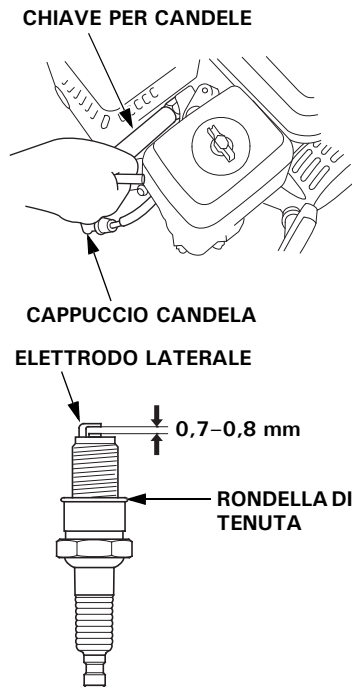
AVVISO

Una candela non corretta può causare danni al motore.

Se il motore stava funzionando lasciarlo raffreddare prima di intervenire sulla candela.

Per ottenere buone prestazioni, la distanza tra gli elettrodi deve essere corretta ed esente da depositi.

1. Scollegare il cappuccio della candela e rimuovere lo sporco dall'area intorno alla candela.
2. Rimuovere la candela usando un'apposita chiave da 21 mm.
3. Controllare visivamente la candela. Sostituirla se è danneggiata o molto imbrattata, se la rondella di tenuta è in cattive condizioni o se l'elettrodo è usurato.
4. Misurare la distanza tra gli elettrodi della candela con uno spessimetro a filo. Correggere la distanza secondo necessità, piegando con attenzione l'elettrodo laterale. La distanza deve essere: 0,7–0,8 mm
5. Installare la candela con cautela, a mano, per assicurarsi che l'avvitamento sia corretto.
6. Una volta alloggiata la candela, serrare con una chiave per candele da 21 mm per comprimere la rondella di tenuta.



Quando si installa una candela nuova, serrare di 1/2 giro una volta alloggiata la candela per comprimere la rondella.

Quando si reinstalla la candela originale, serrare di 1/8–1/4 di giro una volta alloggiata la candela per comprimere la rondella.

COPPIA DI SERRAGGIO: 18 N·m (1,8 kgf·m)

AVVISO

Una candela allentata può surriscaldare e danneggiare il motore. Se si stringe troppo la candela si rischia di danneggiare la filettatura nella testata.

7. Fissare il cappuccio della candela sulla candela.

CONSIGLI E SUGGERIMENTI UTILI

RIMESSAGGIO DEL MOTORE

Preparazione per il rimessaggio

Una corretta preparazione al rimessaggio è fondamentale per evitare che il motore subisca danni, sia interni sia esterni. I seguenti passaggi contribuiranno ad evitare che la ruggine e la corrosione rovinino la funzionalità e l'aspetto del motore e semplificheranno l'accensione del motore quando verrà nuovamente usato.

Pulizia

Se il motore era in funzione, lasciarlo raffreddare almeno mezz'ora prima di pulirlo. Pulire tutte le superfici esterne, ritoccare la vernice danneggiata e applicare un leggero strato di olio sulle altre parti che potrebbero essere soggette a ruggine.

AVVISO

L'uso di una canna da giardinaggio o di un apparecchio di lavaggio a pressione potrebbe far penetrare acqua nell'apertura del filtro dell'aria o del silenziatore. L'acqua penetrata nel filtro dell'aria lo impregnerà e l'acqua che passa attraverso il filtro o il silenziatore potrebbe entrare nel cilindro, danneggiandolo.

Carburante

AVVISO

In base alla regione di utilizzo dell'apparecchiatura, le composizioni di carburante possono deteriorarsi e ossidarsi rapidamente. Il deterioramento e l'ossidazione del carburante possono avvenire in soli 30 giorni e potrebbero danneggiare il carburatore e/o l'impianto di alimentazione. Rivolgersi al concessionario per i consigli riguardanti il rimessaggio locale.

Durante il periodo di rimessaggio, la benzina si ossiderà e si deteriorerà. La benzina deteriorata renderà difficile l'avviamento e lascerà depositi gommosi che ostruiranno l'impianto di alimentazione. Se la benzina contenuta nel motore si deteriora durante il rimessaggio, è necessario revisionare o sostituire il carburatore e altri componenti dell'impianto di alimentazione.

Il lasso di tempo durante il quale la benzina può essere lasciata all'interno del serbatoio del carburante e all'interno del carburatore senza causare problemi di funzionamento cambia in base a vari fattori, quali la miscela della benzina, la temperatura di conservazione, e a seconda del livello di carburante presente nel serbatoio. L'aria presente all'interno di un serbatoio parzialmente pieno favorisce il deterioramento del carburante. Una temperatura di conservazione molto elevata accelera il deterioramento del carburante. I problemi di deterioramento del carburante possono verificarsi entro 30 giorni dalla conservazione del carburante nel serbatoio o persino prima se la benzina non era nuova quando è stato riempito il serbatoio del carburante.

I danni al sistema di carburazione o i problemi di prestazione del motore causati da una preparazione di conservazione inadeguata non vengono coperti dalla garanzia.

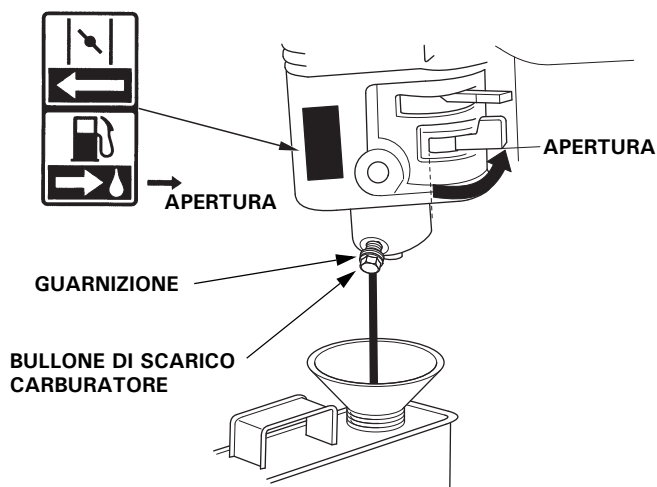
⚠ ATTENZIONE

La benzina è altamente infiammabile ed esplosiva.

Quando si maneggia carburante si rischiano ustioni o lesioni gravi.

- Spegnerne il motore e tenere lontano fonti di calore, scintille e fiamme.
- Maneggiare il carburante solo all'aperto.
- Pulire immediatamente eventuali perdite.

1. Portare la leva della valvola del carburante in posizione di CHIUSURA (vedere pagina 5).
2. Posizionare un contenitore per benzina adeguato sotto il carburatore e utilizzare un imbuto per evitare la fuoriuscita di carburante.
3. Portare la leva della valvola del carburante in posizione di APERTURA e allentare il bullone di scarico del carburatore ruotandolo di 1 o 2 giri in senso orario.



4. Dopo aver scaricato tutto il carburante, serrare saldamente il bullone di scarico del carburatore e portare la leva della valvola del carburante in posizione di CHIUSURA.

Olio motore

1. Sostituire l'olio motore (vedere pag. 8).
2. Rimuovere la candela (vedere pagina 11).
3. Versare un cucchiaino, 5-10 cm³, di olio motore pulito nel cilindro.
4. Tirare l'impugnatura del motorino di avviamento diverse volte per distribuire l'olio nel cilindro.
5. Reinstallare la candela.
6. Tirare lentamente l'impugnatura del motorino di avviamento finché non si avverte una certa resistenza e la tacca sulla puleggia del motorino di avviamento si allinea con il foro sulla parte superiore del coperchio del motorino di avviamento a strappo. In questo modo si chiuderanno le valvole, impedendo all'umidità di entrare nel cilindro del motore. Rilasciare l'impugnatura del motorino di avviamento delicatamente.
7. Coprire il motore per ripararlo dalla polvere.

Precauzioni per il rimessaggio

Se il motore verrà rimessato lasciando la benzina dentro al serbatoio e al carburatore, è importante ridurre il pericolo di incendio dei vapori di benzina. Scegliere un'area di rimessaggio ben ventilata e lontana da apparecchi che funzionano a fiamma, quali caldaie, scaldabagni o asciugabiancheria. Evitare inoltre le aree in cui è presente un motorino elettrico che produce scintille o dove vengono utilizzati attrezzi elettrici.

Se possibile, evitare aree di rimessaggio molto umide, perché l'umidità favorisce la ruggine e la corrosione.

Tenere il motore in piano durante il rimessaggio. L'inclinazione potrebbe causare perdite di carburante o di olio.

Con il motore e l'impianto di scarico freddi, coprire il motore per proteggerlo dalla polvere. Un motore e un impianto di scarico caldi possono incendiare o sciogliere determinati materiali. Non usare un foglio di plastica come protezione antipolvere.

Una protezione non porosa intrappolerà l'umidità attorno al motore favorendo la ruggine e la corrosione.

Rimozione dal rimessaggio

Controllare il motore come descritto nella sezione *CONTROLLI PRIMA DELL'USO* di questo manuale (vedere pagina 3).

Se il carburante è stato scaricato durante la preparazione al rimessaggio, riempire il serbatoio con benzina nuova. Se si possiede un recipiente di benzina per il rifornimento, accertarsi che contenga soltanto benzina nuova. Col tempo la benzina si ossida e si deteriora rendendo difficile l'avviamento.

Se il cilindro è stato ricoperto d'olio durante la preparazione al rimessaggio, fuoriuscirà del fumo dal motore al primo avviamento. Ciò è normale.

TRASPORTO

Se il motore era in funzione, lasciarlo raffreddare per almeno 15 minuti prima di caricare l'apparecchiatura alimentata da questo motore sul veicolo di trasporto. Con il motore e il sistema di scarico caldi è facile ustionarsi e alcuni materiali potrebbero prendere fuoco.

Tenere il motore in piano durante il trasporto per ridurre la possibilità di perdite di carburante. Spostare la leva della valvola del carburante in posizione di OFF (vedere pagina 5).

TRATTAMENTO DEI PROBLEMI IMPREVISTI

IL MOTORE NON SI AVVIA

Possibile causa	Correzione
Valvola del carburante in posizione di CHIUSURA.	Portare la leva in posizione di APERTURA.
Leva dello starter in posizione di APERTURA.	Spostare la leva in posizione di CHIUSURA a meno che il motore sia caldo.
Interruttore motore su OFF (spegnimento).	Portare l'interruttore del motore su ON (accensione).
Livello olio motore basso (modelli con sistema Oil Alert).	Rabboccare con l'olio consigliato fino al livello corretto (pag. 8).
Carburante esaurito.	Effettuare il rifornimento (pag. 7).
Carburante di cattiva qualità; motore rimessato senza trattamento o scarico della benzina, oppure rifornito con benzina di cattiva qualità.	Svuotare il serbatoio del carburante e il carburatore (pag. 12). Rabboccare con benzina nuova (pag. 7).
Candela difettosa, imbrattata o distanza tra gli elettrodi non corretta.	Correggere la distanza o sostituire la candela (pag. 11).
Candela sporca di carburante (motore ingolfato).	Asciugare e reinstallare la candela. Avviare il motore con la leva di comando dell'acceleratore in posizione MAX. (massimo).
Guasto del carburatore, difficoltà di accensione, valvole bloccate, ecc.	Portare il motore presso il concessionario o consultare il manuale d'officina.

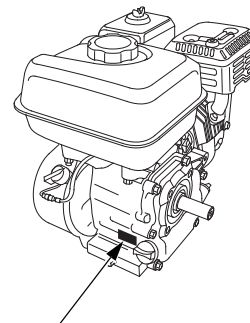
PERDITA DI POTENZA DEL MOTORE

Possibile causa	Correzione
Cartucce filtro ostruite.	Pulire o sostituire le cartucce (pag. 9-10).
Carburante di cattiva qualità; motore rimessato senza trattamento o scarico della benzina, oppure rifornito con benzina di cattiva qualità.	Svuotare il serbatoio del carburante e il carburatore (pag. 12). Rabboccare con benzina nuova (pag. 7).
Guasto del carburatore, difficoltà di accensione, valvole bloccate, ecc.	Portare il motore presso il concessionario o consultare il manuale d'officina.

INFORMAZIONI TECNICHE

Ubicazione del numero di serie

Annotare il numero di serie del motore nello spazio sottostante. Tale informazione è necessaria quando si ordinano pezzi o si inoltrano richieste di informazioni tecniche o riguardanti la garanzia.



UBICAZIONE NUMERO DI SERIE E TIPO DI MOTORE

Numero di serie motore: _____

Tipo di motore: _____

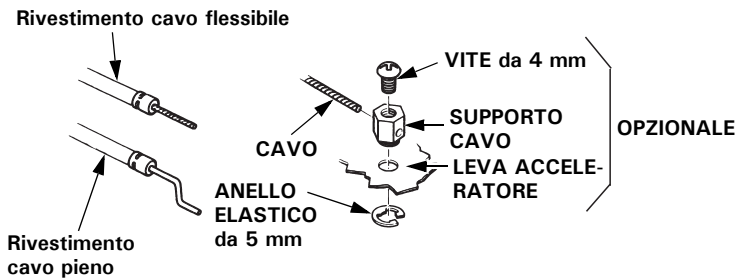
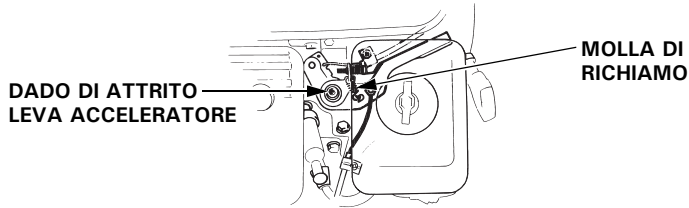
Data di acquisto: ____ / ____ / ____

Collegamento comando a distanza

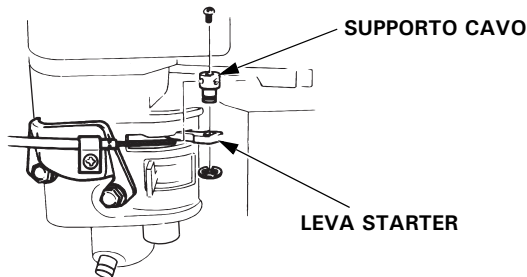
Le leve del comando dell'acceleratore e dello starter sono munite di fori per fissare un cavo opzionale. Le seguenti illustrazioni mostrano esempi di installazione di un cavo pieno e di un cavo flessibile intrecciato. Se si usa un cavo flessibile intrecciato aggiungere una molla di richiamo come indicato in figura.

È necessario allentare il dado di attrito della leva dell'acceleratore quando si aziona l'acceleratore tramite un comando remoto.

LEVERAGGIO DI COMANDO ACCELERATORE REMOTO



LEVERAGGIO DI COMANDO STARTER REMOTO



Modifiche del carburatore per funzionamento ad alta quota

Ad alta quota, la miscela standard aria-carburante nel carburatore è troppo ricca. Le prestazioni diminuiscono ed il consumo di carburante aumenta. Inoltre, una miscela molto ricca imbratta le candele e causa difficoltà di avviamento. L'uso prolungato a un'altitudine differente da quella della certificazione del motore può aumentare le emissioni.

Le prestazioni ad alta quota si possono migliorare tramite specifiche modifiche al carburatore. Se il motore viene sempre azionato ad altitudini superiori a 1.500 metri, rivolgersi al concessionario per l'effettuazione di tali modifiche al carburatore. Il motore, quando usato ad alta quota con il carburatore appositamente modificato, sarà conforme a tutti gli standard sulle emissioni per tutta la vita utile.

Anche con il carburatore modificato, la potenza del motore perderà circa il 3,5% ogni -300 metri di aumento dell'altitudine. L'effetto dell'altitudine sulla potenza del motore sarebbe comunque maggiore qualora non venissero eseguite le modifiche al carburatore.

AVVISO

Se il carburatore è stato modificato per l'uso ad altitudini elevate, la miscela aria-carburante è troppo magra per essere utilizzata a basse altitudini. Il funzionamento ad altitudini inferiori a 1.500 metri con un carburatore modificato potrebbe provocare il surriscaldamento del motore con gravi danni al motore stesso. Per l'uso a bassa quota, richiedere al rivenditore di riportare il carburatore alle specifiche originali di fabbrica.

Specifiche

GP160 (PTO (presa di potenza) albero motore tipo S, con serbatoio carburante)

Lunghezza × Larghezza × Altezza	306 × 363 × 335 mm
Massa a secco [Peso]	14,9 kg
Tipo di motore	4 tempi, valvola in testa, monocilindrico
Cilindrata [Alesaggio × corsa]	163 cm ³ [68,0 × 45,0 mm]
Potenza netta (secondo la normativa SAE J1349*)	3,6 kW (4,9 PS) a 3.600 giri/min
Coppia massima netta (secondo la normativa SAE J1349*)	10,3 N·m (1,05 kgf·m) a 2.500 giri/min
Capacità olio motore	0,58 L
Capacità serbatoio carburante	3,1 L
Sistema di raffreddamento	Aria a circolazione forzata
Sistema di accensione	Magnetico a transistor
Rotazione albero PTO	In senso antiorario
Intervallo temperatura di esercizio	-5°C-40°C

* La potenza nominale del motore indicata in questo documento si riferisce alla potenza netta rilevata su questo modello di motore in fase di produzione ed è stata misurata secondo la procedura SAE J1349 a 3.600 giri/min (potenza netta) e a 2.500 giri/min (coppia massima netta). Questo valore potrebbe variare per i motori prodotti in serie.

L'effettiva potenza in uscita del motore installato sulla macchina dipende da diversi fattori, compresa la velocità di funzionamento del motore in uso, le condizioni ambientali, la manutenzione e altre variabili.

GP200 (PTO (presa di potenza) albero motore tipo S, con serbatoio carburante)

Lunghezza × Larghezza × Altezza	315 × 378 × 335 mm
Massa a secco [Peso]	16,0 kg
Tipo di motore	4 tempi, valvola in testa, monocilindrico
Cilindrata [Alesaggio × corsa]	196 cm ³ [68,0 × 54,0 mm]
Potenza netta (secondo la normativa SAE J1349*)	4,3 kW (5,8 PS) a 3.600 giri/min
Coppia massima netta (secondo la normativa SAE J1349*)	12,4 N·m (1,26 kgf·m) a 2.500 giri/min
Capacità olio motore	0,6 L
Capacità serbatoio carburante	3,1 L
Sistema di raffreddamento	Aria a circolazione forzata
Sistema di accensione	Magnetico a transistor
Rotazione albero PTO	In senso antiorario
Intervallo temperatura di esercizio	-5°C-40°C

* La potenza nominale del motore indicata in questo documento si riferisce alla potenza netta rilevata su questo modello di motore in fase di produzione ed è stata misurata secondo la procedura SAE J1349 a 3.600 giri/min (potenza netta) e a 2.500 giri/min (coppia massima netta). Questo valore potrebbe variare per i motori prodotti in serie.

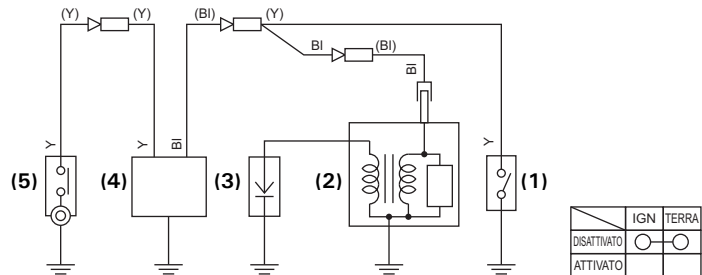
L'effettiva potenza in uscita del motore installato sulla macchina dipende da diversi fattori, compresa la velocità di funzionamento del motore in uso, le condizioni ambientali, la manutenzione e altre variabili.

Specifiche messa a punto GP160/200

VOCE	SPECIFICHE	MANUTENZIONE
Traferro candela	0,7-0,8 mm	Vedere pagina: 11
Gioco valvole (a freddo)	ASP.: 0,15 ± 0,02 mm SCAR.: 0,20 ± 0,02 mm	Rivolgersi al proprio concessionario
Altre specifiche	Non sono richieste altre regolazioni.	

Schemi elettrici

Con sistema Oil Alert



- (1) INTERRUTTORE MOTORE
- (2) BOBINA DI ACCENSIONE
- (3) CANDELA
- (4) SISTEMA DI ALLARME OLIO
- (5) INTERRUTTORE LIVELLO OLIO

BI	Nero	Br	Marrone
Y	Giallo	O	Arancione
Bu	Blu	Lb	Azzurro
G	Verde	Lg	Verde chiaro
R	Rosso	P	Rosa
W	Bianco	Gr	Grigio

	IGN	TERRA
DISATTIVATO	○	○
ATTIVATO	○	○

INFORMAZIONI PER L'UTILIZZATORE

INFORMAZIONI PER L'INDIVIDUAZIONE DI UN DISTRIBUTORE/ CONCESSIONARIO

Visitare il nostro sito internet: <http://www.honda-engines-eu.com>

INFORMAZIONI SULL'ASSISTENZA CLIENTI

Il personale delle concessionarie è costituito da professionisti addestrati. Essi dovrebbero essere in grado di rispondere alle vostre domande. Se avete un problema che il rivenditore non risolve al meglio, rivolgetevi alla direzione della concessionaria. Il responsabile dell'assistenza, il direttore generale o il proprietario potranno aiutarvi.

La maggior parte dei problemi sono risolvibili in questo modo.

Se non siete soddisfatti della decisione presa dalla direzione della concessionaria, rivolgetevi all'ufficio Honda indicato.

<Ufficio Honda>

Quando scrivete o chiamate, siete pregati di fornire le seguenti informazioni:

- Nome del fabbricante e numero di modello dell'apparecchio su cui è montato il motore
- Modello del motore, numero di serie e tipo (vedere pagina 13)
- Nome del rivenditore che vi ha venduto il motore
- Nome, indirizzo e persona di contatto dell'officina che effettua la manutenzione del vostro motore
- Data dell'acquisto
- Il vostro nome, indirizzo e numero di telefono
- Una descrizione dettagliata del problema

Honda Motor Europe Logistics NV.
European Engine Center

<http://www.honda-engines-eu.com>

Per l'assistenza contattare il proprio distributore Honda.