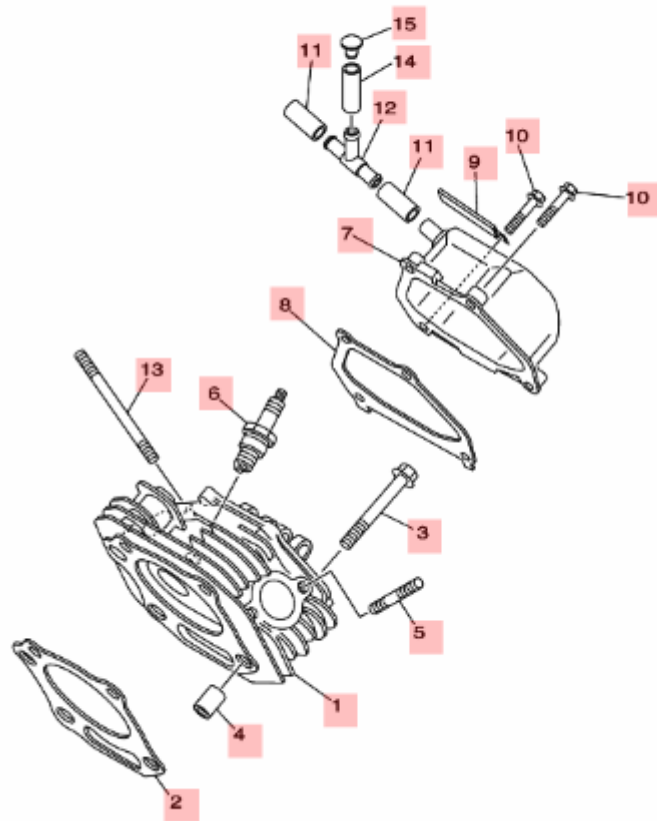


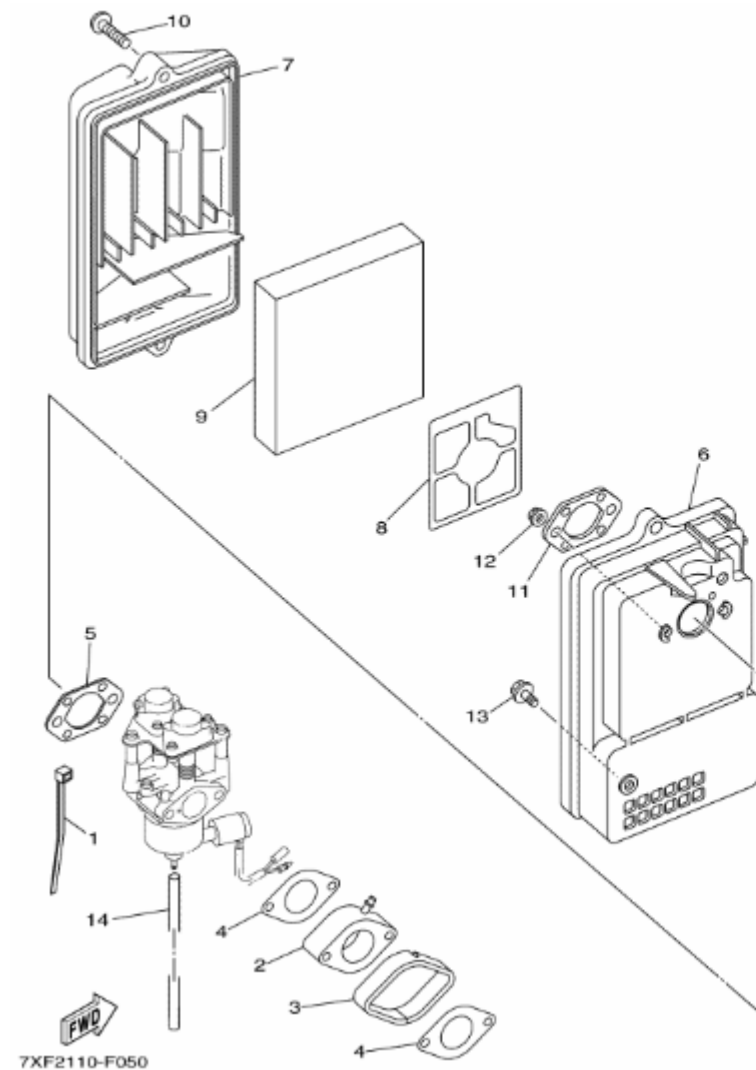
EF6300iS (7CK3 2008) PARTS CATALOGUE

EF6300iS (7CK3 2008) - Cylinder



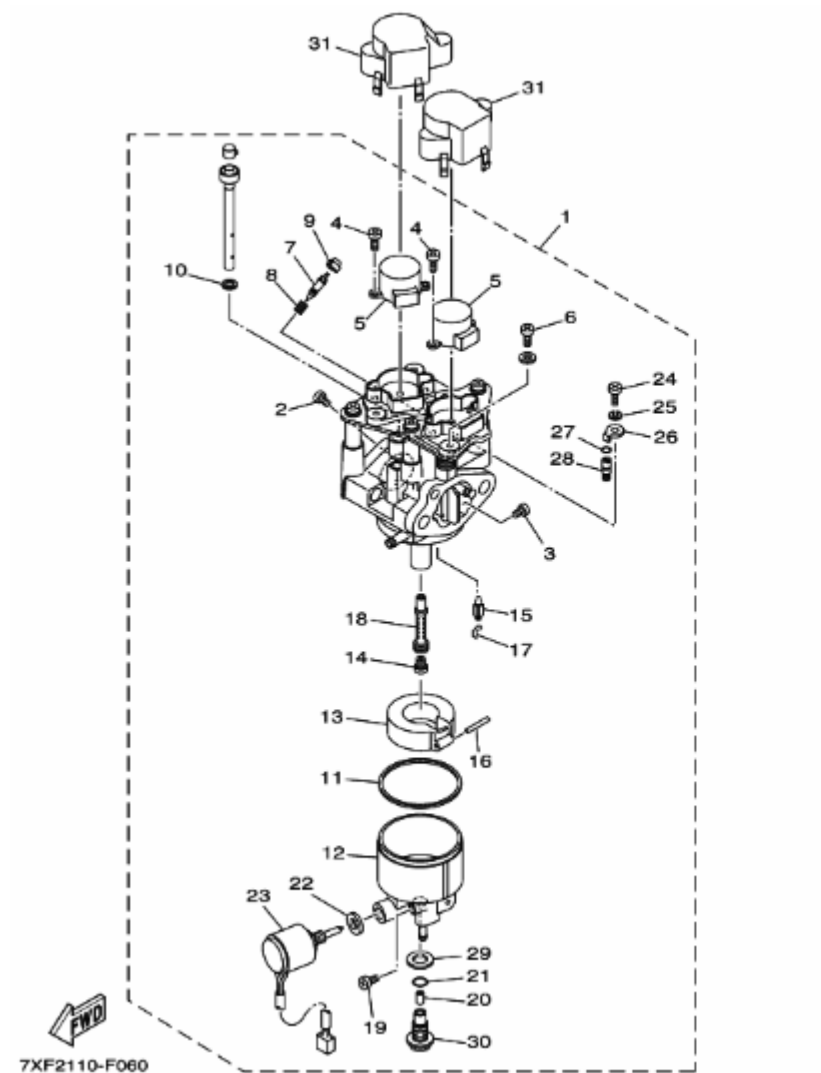
Rel	Part No.	Description	Qty	New	Remarks
1	7CT-E1111-00	HEAD, CYLINDER 1	1		
2	7CT-E1181-00	GASKET, CYLINDER HEAD 1	1		
3	95817-10070	BOLT, FLANGE	4		
4	99530-14016	PIN, DOWEL	2		
5	95627-08618	BOLT, STUD	2		
6	94702-00819	PLUG, SPARK (NGK BPR4ES)	1		
7	7CU-E1190-00	COVER, CYLINDER HEAD 1	1		
8	7CT-E1193-00	GASKET, HEAD COVER 1	1		
9	90462-05061	CLAMP	1		
10	95827-06030	BOLT, FLANGE	4		
11	7CT-E1166-20	PIPE, BREATHER 1	2		
12	7CU-E440B-00	JOINT ASSY	1		
13	95607-08700	BOLT, STUD	2		
14	90445-08M01	HOSE (L30)	1		
15	90338-09161	PLUG	1		

EF6300iS (7CK3 2008) - Intake



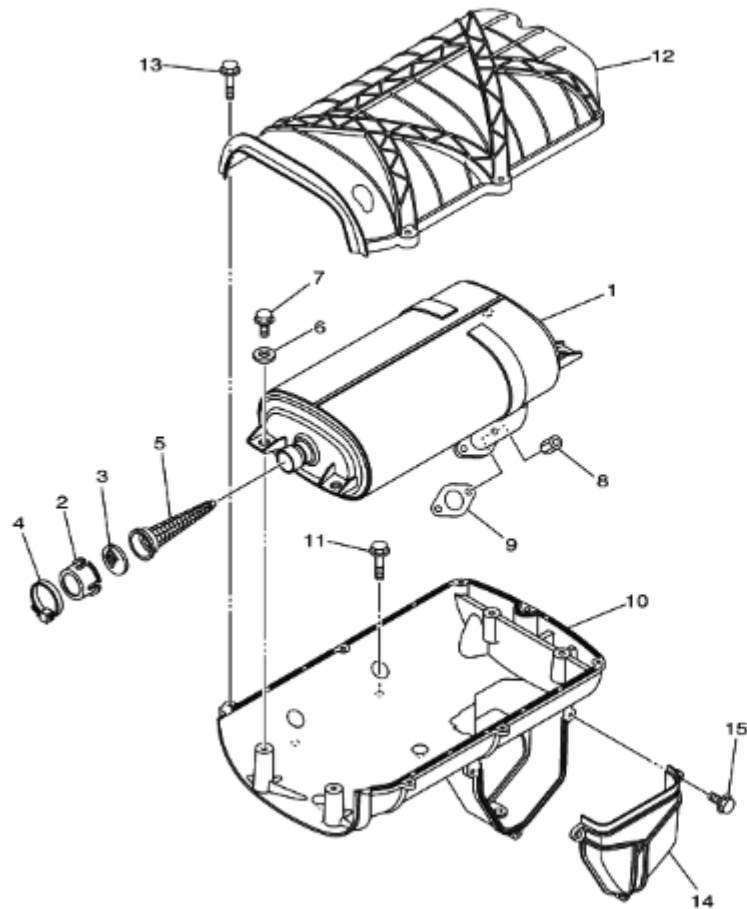
Rel	Part No.	Description	Qty	New	Remarks
1	7CN-H7188-00	BINDER	1		
2	7CT-E3596-00	JOINT, CARBURETOR 2	1		
3	7CU-E3593-10	DAMPER	1		
4	7CT-E3557-00	GASKET	2		
5	7CT-E3567-10	GASKET	1		
6	7CT-E4411-10	CASE, AIR CLEANER 1	1		
7	7CT-E4412-00	CAP, CLEANER CASE 1	1		
8	7CT-E4468-00	PLATE,ELEMENT FITTING	1		
9	7CT-E4451-00	ELEMENT, AIR CLEANER	1		
10	7CT-E4429-00	SCREW	2		
11	7CT-E4477-20	PLATE	1		
12	95707-08500	NUT, FLANGE	2		
13	95807-06016	BOLT, FLANGE	1		
14	7XF-14148-00	PIPE	1		

EF6300iS (7CK3 2008) - Carburettor



Rel	Part No.	Description	Qty	New	Remarks
1	7CU-E4101-31	CARBURETOR ASSY 1	1		
2	7RH-14216-00	.SCREW	2		
3	7RH-14486-00	.SCREW, ROD	2		
4	98502-03006	.SCREW, PAN HEAD	4		
5	7CP-H6240-00	.THROTTLE MOTOR ASSY	2		
6	4SV-24453-00	.SCREW	2		
7	7CU-E4211-00	.SCREW, PILOT ADJUSTING	1		
8	73A-14212-10	.SPRING	1		
9	7CP-E4118-00	.CAP	1		
10	7X9-14239-00	.SEAL	1		
11	796-14184-00	.GASKET, FLOAT CHAMBER	1		
12	7CU-E4181-00	.BODY, FLOAT CHAMBER 1	1		
13	JN6-14185-00	.FLOAT	1		
14	73A-1414G-00	.PIPE, MAIN BLEED	1		
15	73A-14150-00	.NEEDLE ASSY	1		
16	22F-14186-00	.PIN, FLOAT	1		
17	7EG-14159-00	.CLIP	1		
18	7WG-1495N-6G	.NOZZLE, MAIN	1		
19	7RH-14191-00	.PLUG, DRAIN	1		
20	1HX-14143-23	.JET, MAIN (#115)	1		

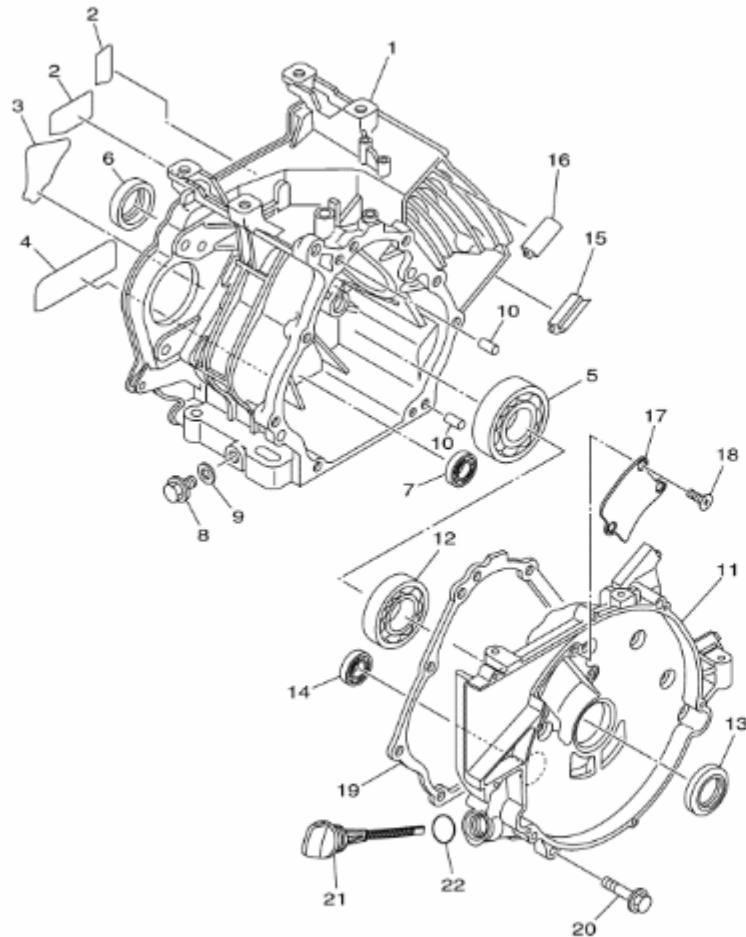
EF6300iS (7CK3 2008) – Exhaust Muffler




7XF2110-F070

Rel	Part No.	Description	Qty	New	Remarks
1	7CU-E4711-00	MUFFLER 1	1		
2	7CT-E4799-10	CAP	1		
3	7CT-E479E-10	NET, WIRE 2	1		
4	90460-38241	CLAMP, HOSE	1		
5	7CT-E4786-00	ARRESTER, SPARK	1		
6	90201-08846	WASHER, PLATE	4		
7	95827-08016	BOLT, FLANGE	4		
8	90170-08209	NUT	2		
9	7CT-E4613-01	GASKET, EXHAUST PIPE	1		
10	7CU-E4627-00	COVER, EXHAUST	1		
11	95807-08030	BOLT, FLANGE	5		
12	7CU-E4637-00	EXHAUST COVER ASSY	1		
13	95807-06025	BOLT, FLANGE	6		
14	7CU-E4708-00	PROTECTOR ASSY	1		
15	95807-06016	BOLT, FLANGE	3		

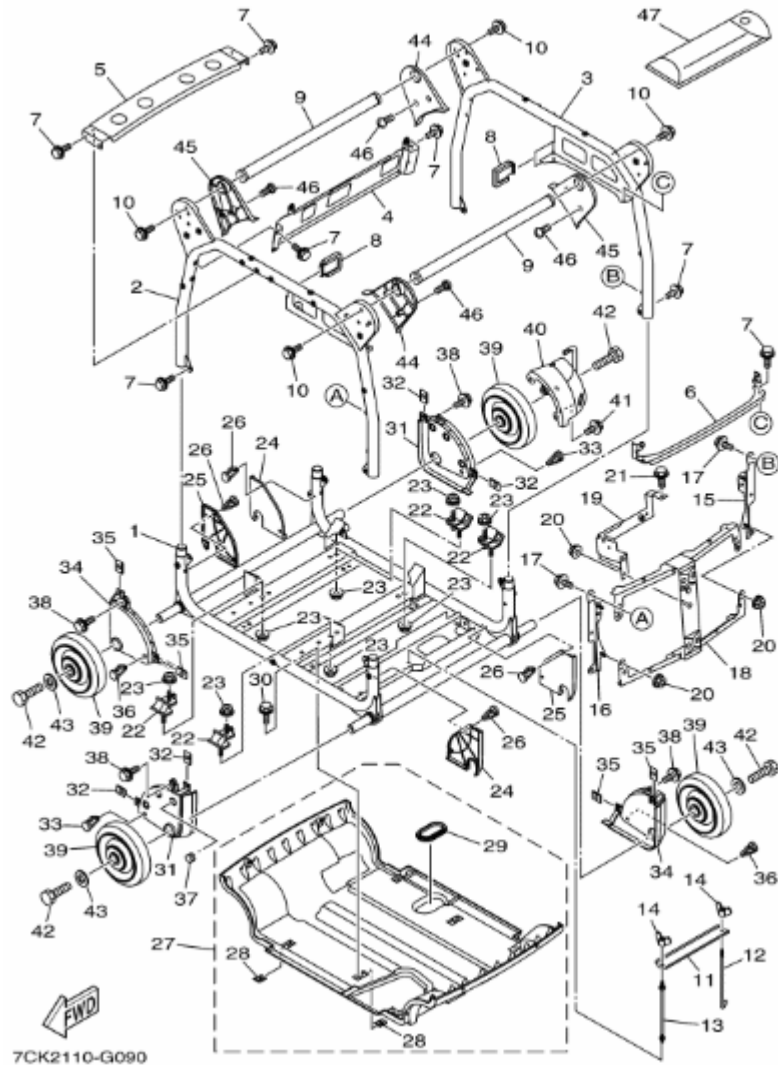
EF6300iS (7CK3 2008) - Crankcase



7CK2110-G080

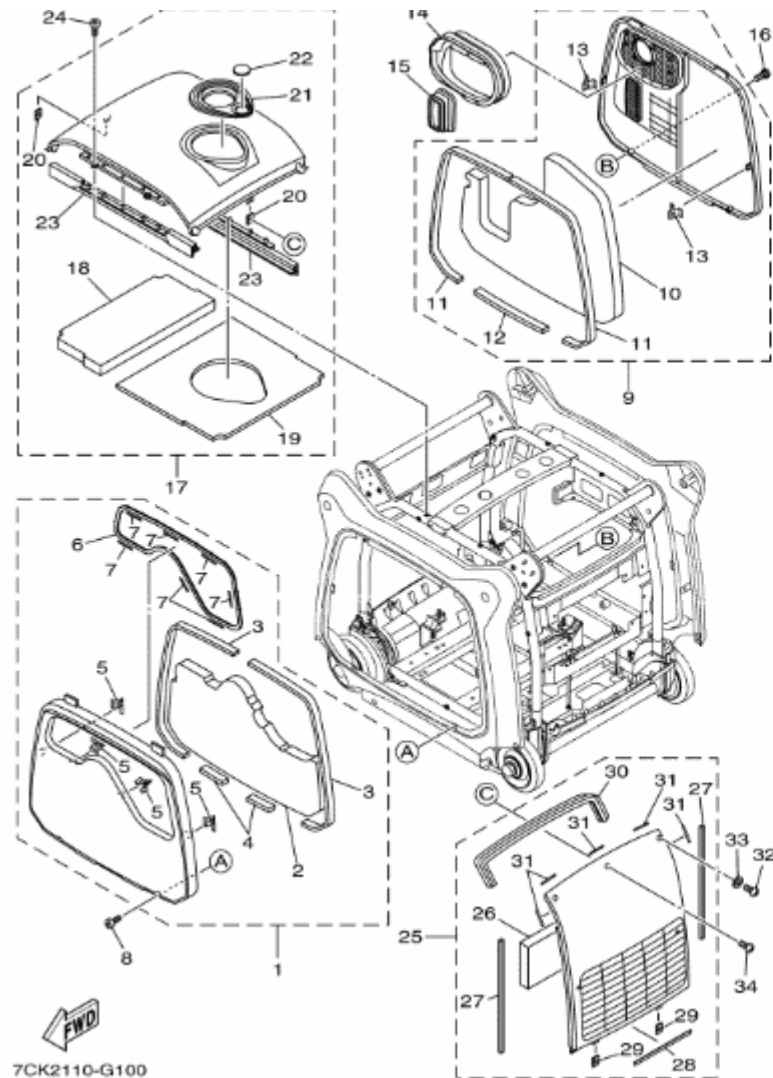
Rel	Part No.	Description	Qty	New	Remarks
1	7CT-E5121-30	CRANKCASE 2	1		
2	7CP-E5315-00	SEAL, CRANKCASE	2		
3	7CU-E5315-00	SEAL, CRANKCASE	1		
4	7CU-E5379-00	SEAL, CRANKCASE	1		
5	93306-307Y1	BEARING	1		
6	93102-35802	OIL SEAL	1		
7	93306-252X4	BEARING	1		
8	90340-12097	PLUG, STRAIGHT SCREW	1		
9	7CT-E1198-00	GASKET	1		
10	99530-08016	PIN, DOWEL	2		
11	7CU-E5411-01	COVER, CRANKCASE 1	1		
12	93306-207Y0	BEARING	1		
13	93102-35802	OIL SEAL	1		
14	93306-252X4	BEARING	1		
15	7CU-E5494-10	SEAL, PROTECTOR	1		
16	7CU-E5495-01	SEAL, PROTECTOR 1	1		
17	7CU-E5123-00	PLATE, BAFFLE 1	1		
18	98707-06016	SCREW, FLAT HEAD	3		
19	7CT-E5451-00	GASKET, CRANKCASE COVER 1	1		
20	95817-08045	BOLT, FLANGE	8		

EF6300iS (7CK3 2008) - Frame



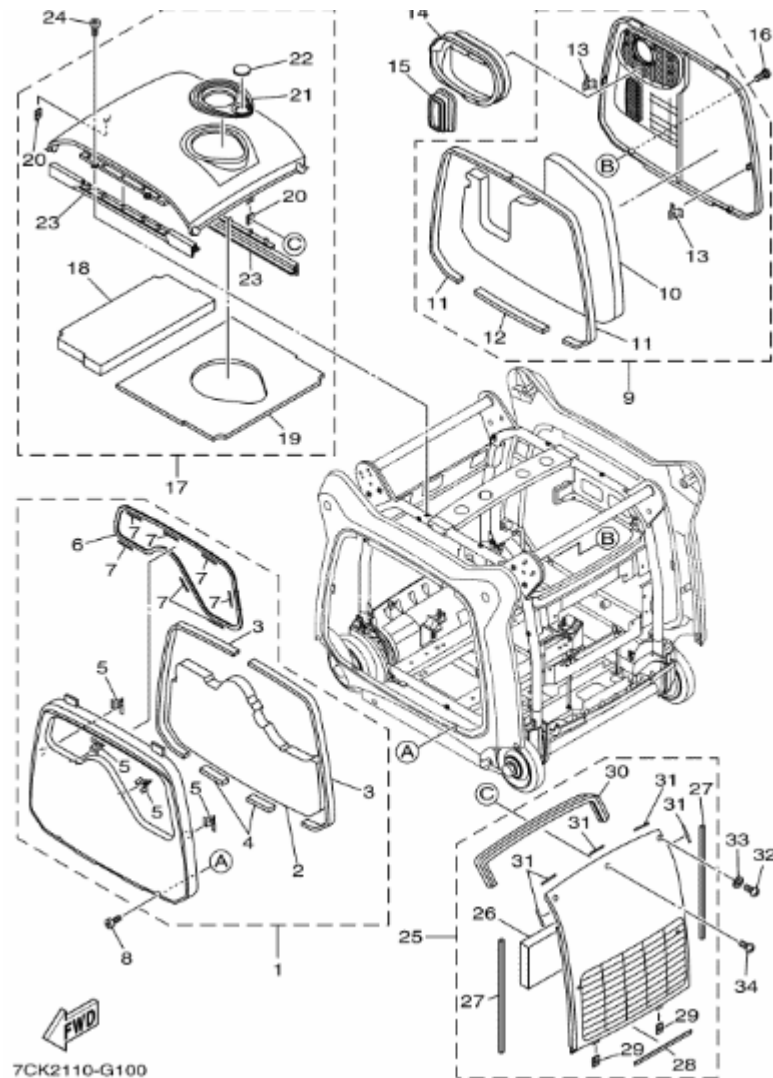
Rel	Part No.	Description	Qty	New	Remarks
1	7XF-22840-00	FRAME COMP.	1		
2	7XF-22850-00	FRAME COMP. 2	1		
3	7XF-22860-00	FRAME COMP. 3	1		
4	7XF-22822-00	MEMBER 2	1		
5	7XF-22823-00	MEMBER 3	1		
6	7XF-22824-00	MEMBER 4	1		
7	95827-06012	BOLT, FLANGE	12		
8	7XF-2282E-00	STOPPER	4		
9	7XF-22830-00	HANDLE ASSY	2		
10	95807-08012	BOLT, FLANGE	4		
11	7XF-82136-00	PLATE, BATTERY FITTING	1		
12	7XF-82133-00	SCREW, FITTING	1		
13	7XF-8213A-00	SCREW, FITTING	1		
14	90175-06008	NUT, WING	2		
15	7CK-22831-00	STAY 1	1		
16	7CK-22832-00	STAY 2	1		
17	95827-06012	BOLT, FLANGE	6		
18	7CK-8721E-00	STAY, CONTROL PLATE 1	1		
19	7CK-8721H-00	STAY, 2	1		
20	95707-06500	NUT, FLANGE	6		

EF6300iS (7CK3 2008) – Frame2



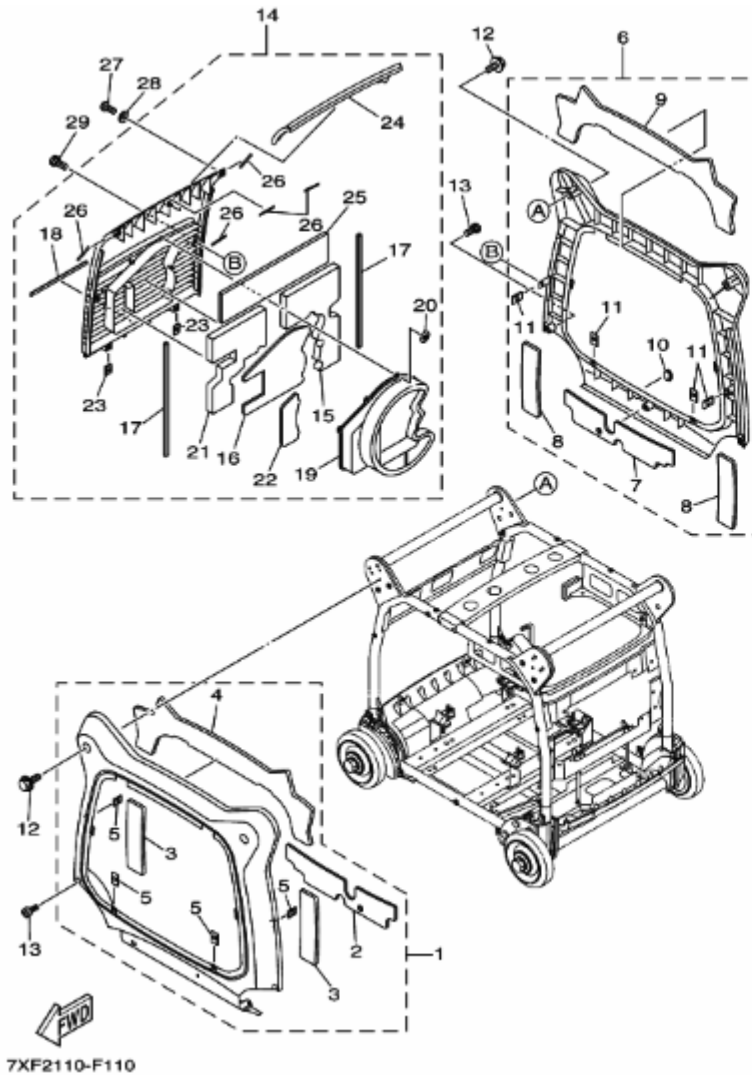
Rel	Part No.	Description	Qty	New	Remarks
1	7XF-228A0-00	COVER ASSY 1	1		
2	7XF-22873-00	SEAL 1	1		
3	7XF-2281A-00	SEAL, RUBBER 1	2		
4	7XF-2281L-00	SEAL, RUBBER 8	2		
5	90468-04001	CLIP	4		
6	7XF-2289H-00	SEAL 19	1		
7	7XF-2289K-00	SEAL 21	7		
8	7CG-23119-00	SCREW	2		
9	7CK-228B0-00	COVER ASSY 2	1		
10	7XF-22874-00	SEAL 2	1		
11	7XF-2281A-00	SEAL, RUBBER 1	2		
12	7XF-2281E-00	SEAL, RUBBER 2	1		
13	90468-04001	CLIP	2		
14	7XF-2286A-00	DUCT 1	1		
15	7XF-2286B-00	DUCT 3	1		
16	7CG-23119-00	SCREW	2		
17	7XF-228C0-00	COVER ASSY 3	1		
18	7XF-22875-00	SEAL 3	1		
19	7XF-22876-00	SEAL 4	1		
20	90183-05076	NUT, SPRING	2		

EF6300iS (7CK3 2008) – Frame2



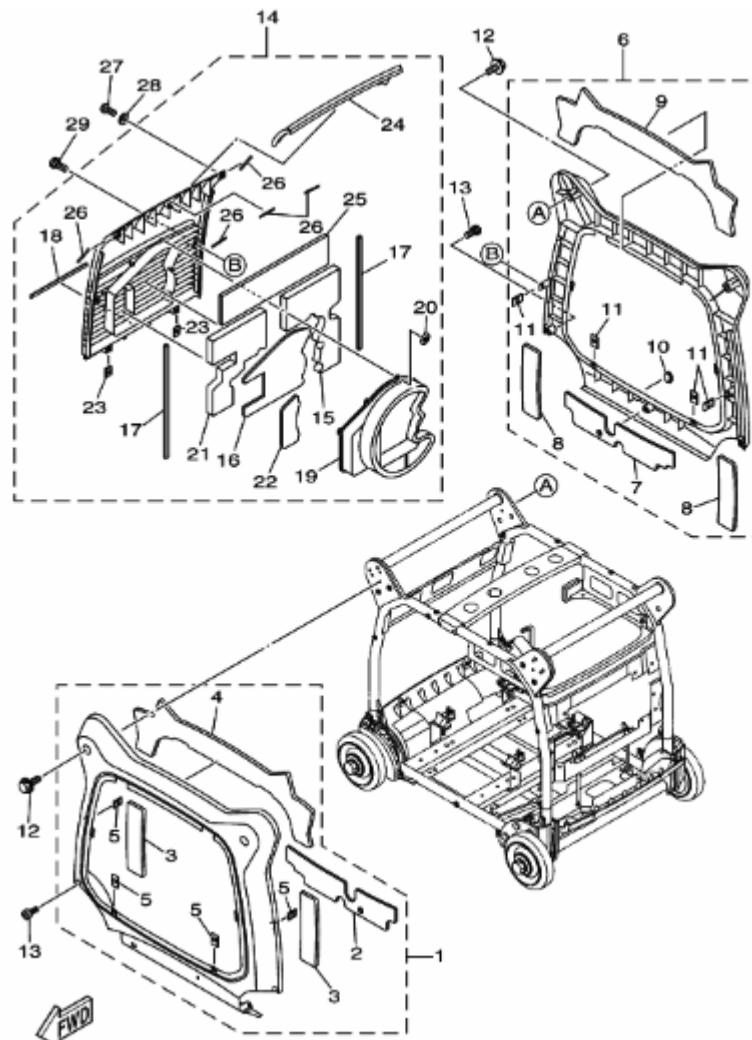
Rel	Part No.	Description	Qty	New	Remarks
	16	7CG-23119-00	SCREW	2	
	17	7XF-228C0-00	COVER ASSY 3	1	
	18	7XF-22875-00	SEAL 3	1	
	19	7XF-22876-00	SEAL 4	1	
	20	90183-05076	NUT, SPRING	2	
	21	7XF-2414G-00	SEAL	1	
	22	7WL-21764-00	LENS, LEVEL GAUGE	1	
	23	7XF-2289G-00	SEAL 18	2	
	24	90149-06263	SCREW	4	
	25	7CK-228D0-01	COVER ASSY 4	1	
	26	7XF-22877-00	SEAL, 5	1	
	27	7XF-2289L-00	SEAL 22	2	
	28	7XF-2281K-00	SEAL, RUBBER 7	1	
	29	90183-05076	NUT, SPRING	2	
	30	7XF-2281M-00	SEAL, RUBBER 9	1	
	31	7XF-2289K-00	SEAL 21	5	
	32	98507-05016	SCREW, PAN HEAD	2	
	33	92907-05600	WASHER, PLATE	2	
	34	7CG-23119-00	SCREW	5	

EF6300iS (7CK3 2008) – Frame3



Rel	Part No.	Description	Qty	New	Remarks
1	7XF-228F0-00	COVER ASSY 6	1		
2	7XF-22887-00	SEAL 10	1		
3	7XF-22888-00	SEAL 11	2		
4	7XF-22896-00	SEAL 13	1		
5	90183-05076	NUT, SPRING	4		
6	7XF-228G0-00	COVER ASSY 7	1		
7	7XF-22887-00	SEAL 10	1		
8	7XF-22888-00	SEAL 11	2		
9	7XF-22896-00	SEAL 13	1		
10	7XF-22857-00	COVER 4	1		
11	90183-05076	NUT, SPRING	4		
12	95827-06016	BOLT, FLANGE	6		
13	7CG-23119-00	SCREW	8		
14	7XF-228E0-01	COVER ASSY 5	1		
15	7XF-22878-00	SEAL 6	1		
16	7XF-22879-00	SEAL, 7	1		
17	7XF-2289L-00	SEAL 22	2		
18	7XF-2281K-00	SEAL, RUBBER 7	1		
19	7XF-2286E-00	DUCT 2	1		
20	90183-05004	NUT, SPRING	7		

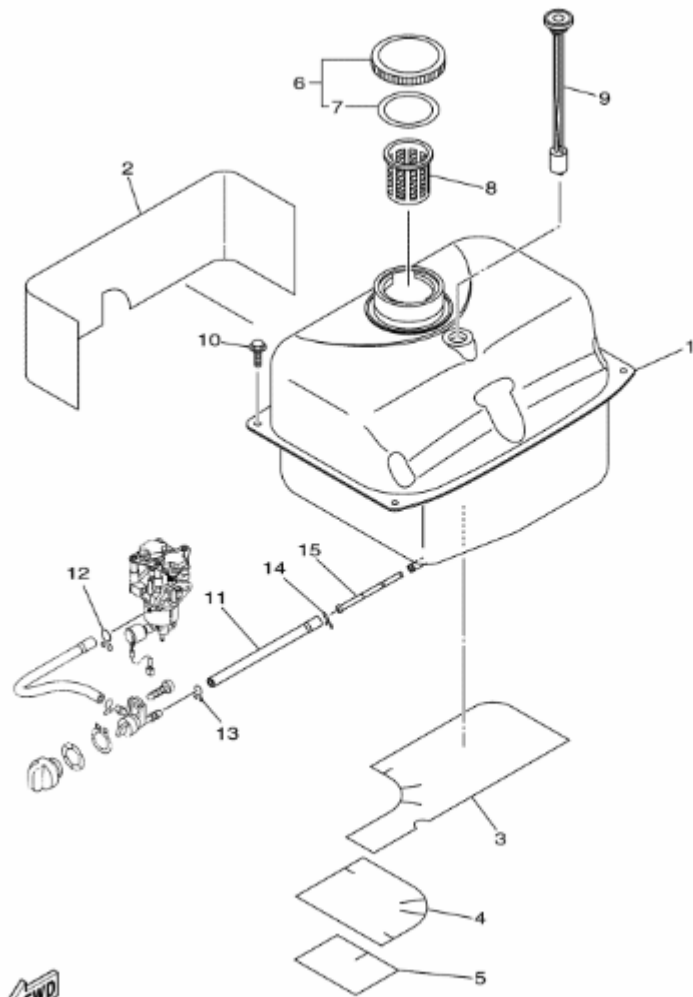
EF6300iS (7CK3 2008) – Frame3



7XF2110-F110

Rel	Part No.	Description	Qty	New	Remarks
	11	90183-05076	NUT, SPRING	4	
	12	95827-06016	BOLT, FLANGE	6	
	13	7CG-23119-00	SCREW	8	
	14	7XF-228E0-01	COVER ASSY 5	1	
	15	7XF-22878-00	SEAL 6	1	
	16	7XF-22879-00	SEAL, 7	1	
	17	7XF-2289L-00	SEAL 22	2	
	18	7XF-2281K-00	SEAL, RUBBER 7	1	
	19	7XF-2286E-00	DUCT 2	1	
	20	90183-05004	NUT, SPRING	7	
	21	7XF-22885-00	SEAL 8	1	
	22	7XF-22886-00	SEAL 9	1	
	23	90183-05076	NUT, SPRING	2	
	24	7XF-2281M-00	SEAL, RUBBER 9	1	
	25	7XF-2289J-00	SEAL 20	1	
	26	7XF-2289K-00	SEAL 21	5	
	27	98507-05016	SCREW, PAN HEAD	2	
	28	92907-05600	WASHER, PLATE	2	
	29	7CG-23119-00	SCREW	5	

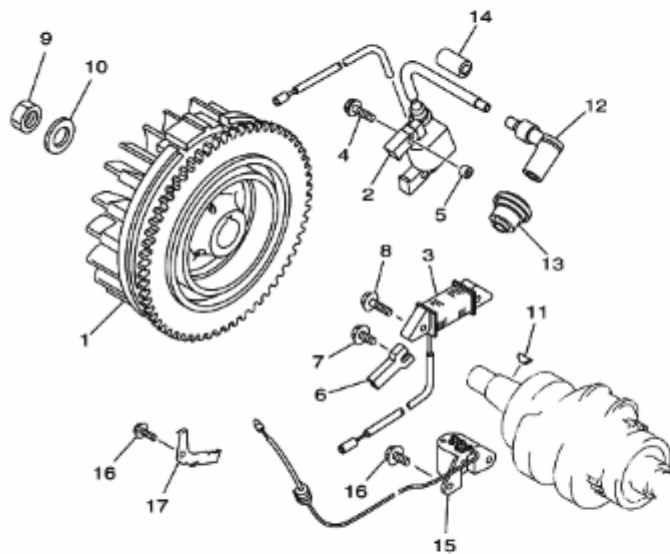
EF6300iS (7CK3 2008) – Fuel tank



7CK2171-G120

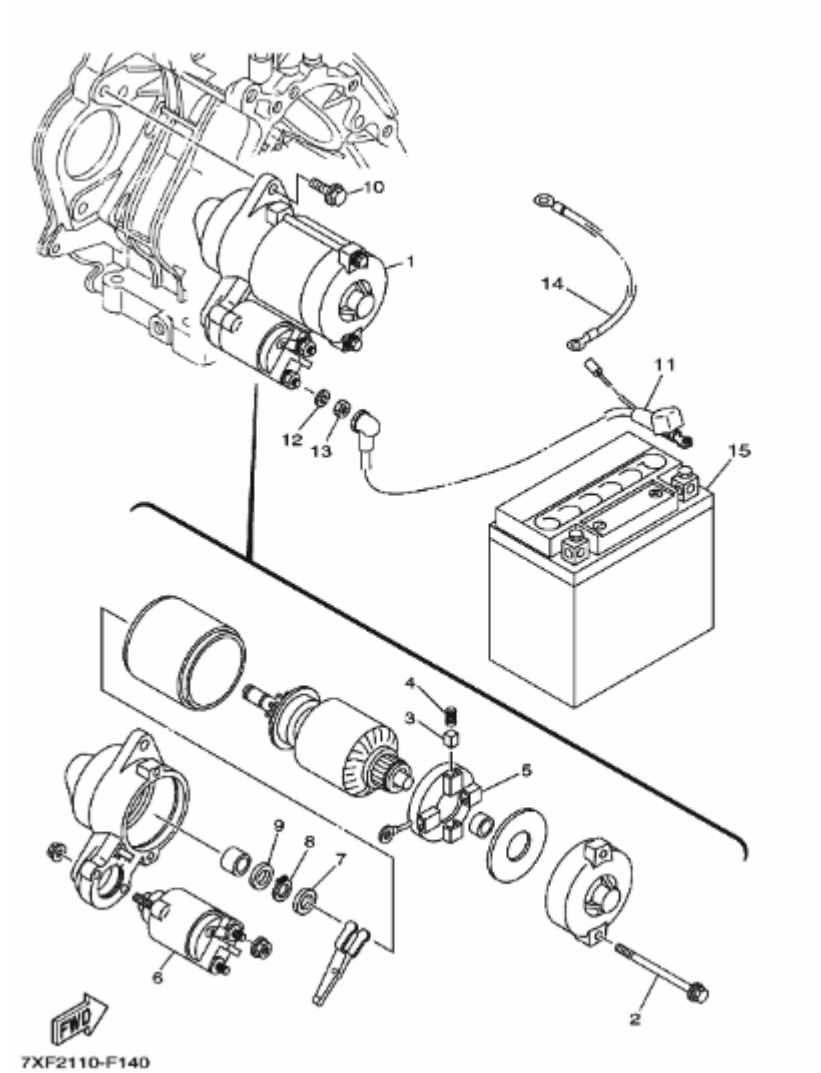
Rel	Part No.	Description	Qty	New	Remarks
1	7XF-24110-20	FUEL TANK COMP.	1		
2	7XF-241A3-00	SEAL 3	1		
3	7XF-241A4-00	SEAL 4	1		
4	7XF-241A5-00	SEAL, 5	1		
5	7XF-241A6-00	SEAL 6	1		
6	74T-24610-00	CAP ASSY	1		
7	796-24612-00	GASKET, CAP	1		
8	630-24167-00	STRAINER	1		
9	7XF-85710-00	FUEL LEVEL GAUGE ASSY	1		
10	95827-06012	BOLT, FLANGE	4		
11	7XF-24311-10	PIPE, FUEL 1	1		
12	90467-09103	CLIP	1		
13	90467-10008	CLIP	1		
14	90467-11106	CLIP	1		
15	5BM-24514-00	NET, FILTER 1	1		

EF6300iS (7CK3 2008) – Magneto



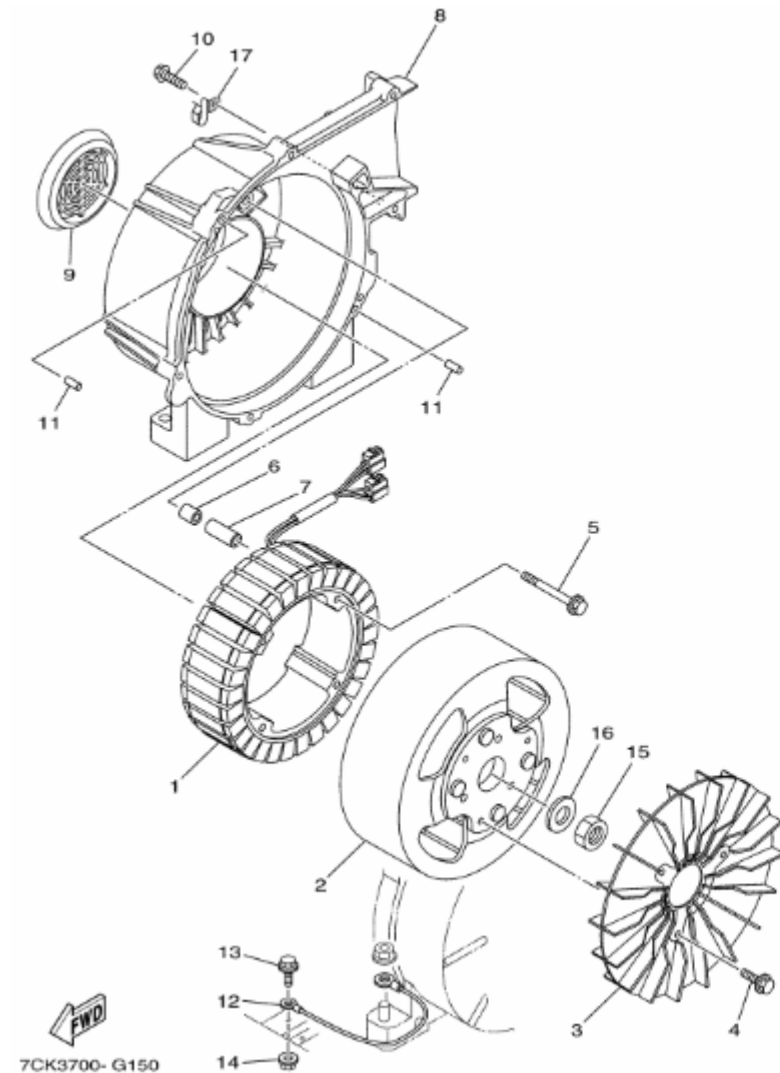
Rel	Part No.	Description	Qty	New	Remarks
1	7CU-H5650-00	ROTOR ASSY	1		
2	7CU-H5640-00	T.C.I. UNIT ASSY	1		
3	7CU-H5521-20	COIL ASSY	1		
4	95880-06030	BOLT, FLANGE	2		
5	7CU-H246K-00	SPACER	2		
6	90462-06232	CLAMP	1		
7	95807-06012	BOLT, FLANGE	1		
8	95807-06025	BOLT, FLANGE	2		
9	90170-18391	NUT	1		
10	90201-18008	WASHER, PLATE	1		
11	90280-04801	KEY, WOODRUFF	1		
12	7CN-H2370-00	PLUG CAP ASSY	1		
13	7CP-H2372-00	SEAL, PLUG CAP	1		
14	7CP-H2373-00	SEAL, HIGH TENSION CORD	1		
15	7CT-H5720-00	OIL LEVEL GAUGE ASSY	1		
16	95827-06012	BOLT, FLANGE	3		
17	7CN-H5724-00	CLAMP	1		

EF6300iS (7CK3 2008) – Starting Motor



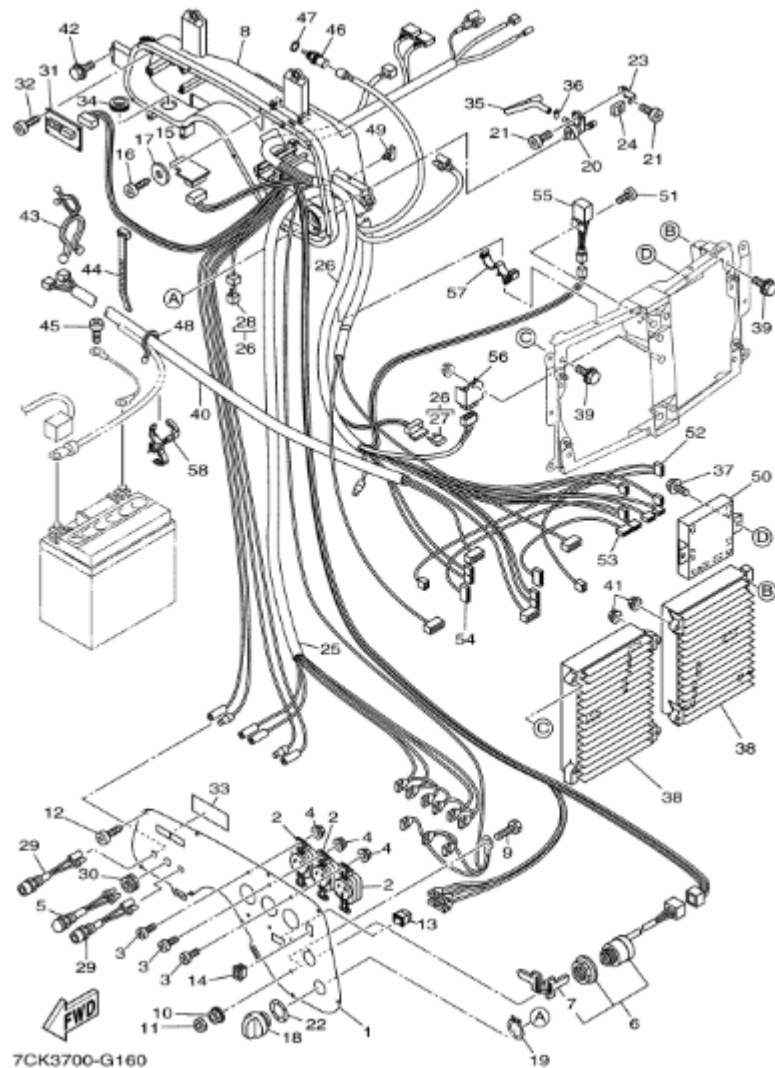
Rel	Part No.	Description	Qty	New	Remarks
1	7CU-H1800-00	STARTING MOTOR ASSY	1		
2	7CU-H1826-00	.BOLT	2		
3	7CU-H1812-00	.BRUSH 2	4		
4	7CU-H1813-00	.SPRING, BRUSH	4		
5	7CU-H1840-00	.BRUSH HOLDER ASSY	1		
6	7CU-H1870-00	.STARTING SWITCH ASSY	1		
7	7CU-H1833-00	.RING, STOP	1		
8	7CU-H1834-00	.RING	1		
9	7CU-H1835-00	.WASHER	1		
10	95807-08025	BOLT, FLANGE	2		
11	7XF-82115-01	WIRE, PLUS LEAD	1		
12	92902-08100	WASHER, SPRING	1		
13	95302-08600	NUT	1		
14	7CK-82116-01	WIRE, MINUS LEAD	1		
15	4SH-82100-22	BATTERY ASSY (YUASA YTX20L-	1		

EF6300iS (7CK3 2008) – Generator



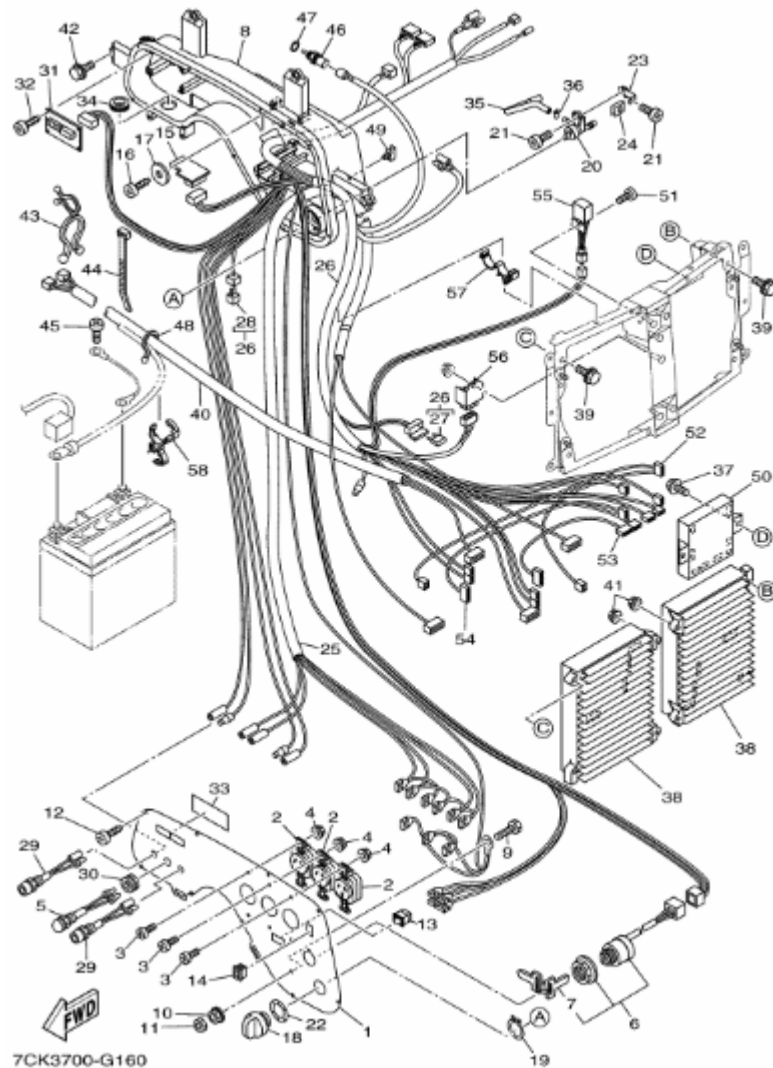
Rel	Part No.	Description	Qty	New	Remarks
1	7CK-87150-20	STATOR ASSY	1		
2	7XF-87160-00	ROTOR ASSY	1		
3	7XF-87172-00	FAN, GENERATOR	1		
4	95807-06016	BOLT, FLANGE	3		
5	95827-08065	BOLT, FLANGE	4		
6	99530-10114	PIN, DOWEL	2		
7	7XF-8719F-00	TUBE 7	2		
8	7XF-87174-01	COVER, REAR END	1		
9	7XF-87127-00	GROMMET	1		
10	95807-06035	BOLT, FLANGE	7		
11	99530-08016	PIN, DOWEL	2		
12	7XF-87139-00	LEAD WIRE ASSY 2	1		
13	95807-06010	BOLT, FLANGE	1		
14	95707-06500	NUT, FLANGE	1		
15	90170-18391	NUT	1		
16	90201-186M4	WASHER, PLATE	1		
17	90465-08021	CLAMP	1		

EF6300iS (7CK3 2008) – Control Box



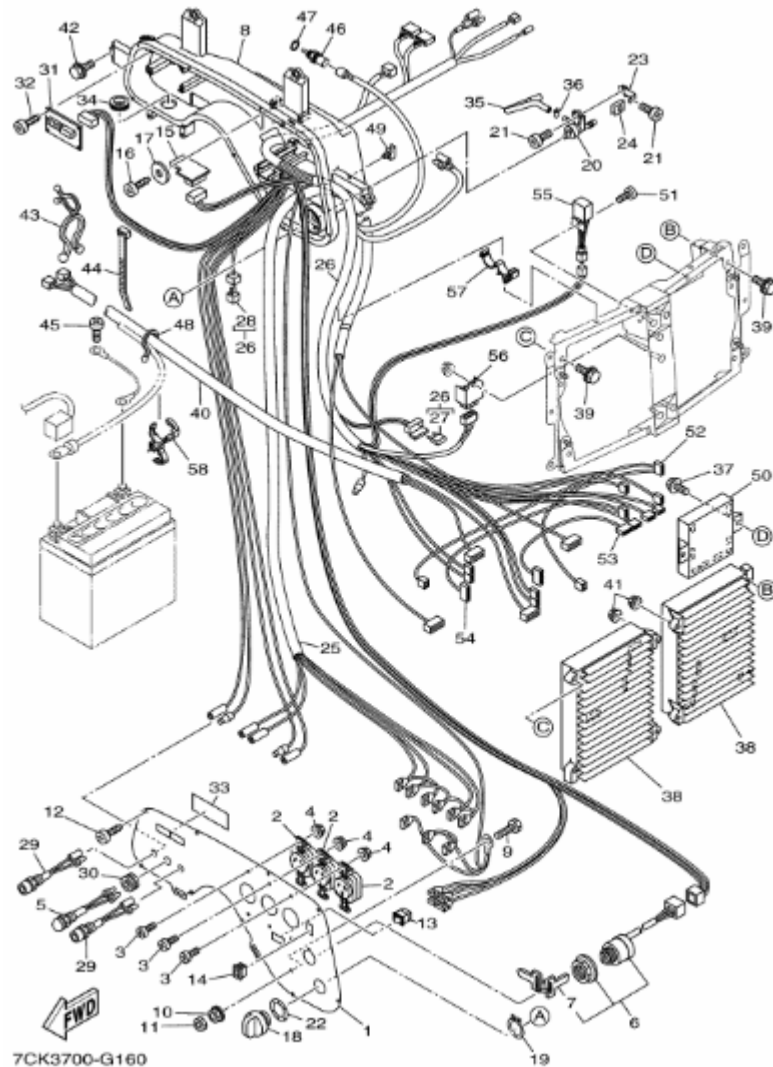
Rel	Part No.	Description	Qty	New	Remarks
	1	7CK-87249-N0	PLATE	1	
	2	73G-87221-90	RECEPTACLE 1 (CRIPSAL 415/1	3	
	3	98507-04012	SCREW, PAN HEAD	6	
	4	95707-04500	NUT, FLANGE	6	
	5	7CH-83530-G0	PILOT LIGHT ASSY	1	UR
	5	7NJ-83530-G0	PILOT LIGHT ASSY	1	UR
	6	7XF-82510-00	MAIN SWITCH ASSY	1	
	7	7KE-82511-00	KEY, MAIN SWITCH	2	
	8	7XF-87213-00	COVER, CONTROL BOX	1	
	9	97080-05016	BOLT	1	
	10	95707-05500	NUT, FLANGE	1	
	11	95380-05700	NUT	1	
	12	97707-40516	SCREW, TAPPING	9	
	13	7RH-82550-00	ENGINE STOP SWITCH ASSY	1	ECON. SW.
	14	7XF-87281-00	CAP SWITCH	1	
	15	7CK-85680-00	SPEED LIMITER ASSY	1	
	16	97707-30512	SCREW, TAPPING	1	
	17	90201-03013	WASHER, PLATE	1	
	18	7WL-24524-00	LEVER, COCK	1	
	19	99009-24400	CIRCLIP	1	

EF6300iS (7CK3 2008) – Control Box



Rel	Part No.	Description	Qty	New	Remarks
	20	7WL-24500-00	FUEL COCK ASSY 1	1	
	21	98507-05012	SCREW, PAN HEAD	2	
	22	90206-26001	WASHER, WAVE	1	
	23	7XF-24544-00	BRACKET, FUEL COCK	1	
	24	90183-05076	NUT, SPRING	1	
	25	7CK-87226-N0	WIRE HARNESS ASSY	1	
	26	7CK-8722J-N0	WIRE, LEAD	1	
	27	5JJ-82151-20	.FUSE (20A-BL)	1	
	28	3WP-81980-00	.DIODE ASSY	1	
	29	7CH-83582-C1	PILOT LIGHT ASSY	2	
	30	90480-13012	GROMMET	1	
	31	7XF-83500-00	METER ASSY	1	
	32	97707-30110	SCREW, TAPPING	4	
	33	7XF-87278-10	COVER, METER	1	
	34	90480-25482	GROMMET	1	
	35	7XF-24312-10	PIPE 2	1	
	36	90467-08002	CLIP	1	
	37	95827-06016	BOLT, FLANGE	2	
	38	7CK-8A210-20	CONTROL UNIT	2	
	39	95827-06016	BOLT, FLANGE	4	

EF6300iS (7CK3 2008) – Control Box



Rel	Part No.	Description	Qty	New	Remarks
	40	7CK-87224-11	WIRE, LEAD 2	1	
	41	95707-06500	NUT, FLANGE	4	
	42	95827-06016	BOLT, FLANGE	4	
	43	90464-27138	CLAMP	1	
	44	90465-13275	CLAMP	1	
	45	98507-08012	SCREW, PAN HEAD	1	
	46	1P5-83591-00	THERMO UNIT	1	
	47	90201-12172	WASHER, PLATE	1	
	48	90464-25267	CLAMP	1	
	49	90464-14M55	CLAMP	1	
	50	7CK-8A2D0-10	INTERFACE UNIT	1	
	51	98507-06012	SCREW, PAN HEAD	1	
	52	7CK-8533A-10	CABLE, INTERFACE	1	
	53	7CK-82318-10	WIRE, SUB-LEAD	1	
	54	7CK-82319-10	WIRE, SUB-LEAD	1	
	55	7RH-81970-00	RECTIFIER ASSY	1	
	56	7VW-81960-00	RECTIFIER & REGULATOR ASSY	1	
	57	90464-20010	CLAMP	1	
	58	7CK-21548-00	CLAMP	1	

