



PARTS CATALOGUE

EF3000iSE (7WL3) AUSTRALIA



1B7WL-700E1

(2B7WL-700E1)

EF3000iSE
PARTS CATALOGUE
©2003 by Yamaha Motor Co., Ltd.
1st edition, April 2003
All rights reserved.
Any reprinting or unauthorized use
without the written permission of
Yamaha Motor Co., Ltd.
is expressly prohibited.
Printed in Japan.

A3

FOREWORD

This Parts Catalogue is related to the parts for the model(s) on the cover page. When you are ordering replacement parts, please refer to this Parts Catalogue and quote both part numbers and part names correctly.

1. Modifications or additions which have been made after the issue of the Parts Catalogue will be announced in the Parts News.

It is advisable that you make the necessary corrections to the Parts Catalogue according to the Parts News.

2. Abbreviations

The following abbreviations are used in this Parts Catalogue.

“UR” Use specified parts number.

“UN” Use as many as needed.

“AP” Alternate Parts

“LM” Locally Made (Parts need to be ordered locally)

“F#” Frame No. (Applicable machine No.)

“O/S” Over Size

3. The number of components for assembly

- Parts, which are to be supplied in an assembly, are listed with a dot (.) in front of the part name as shown below.
- The numeral appearing to the right of each component part indicates the quantity of parts for each assembly unit.

PART NO.	DESCRIPTION	Q'TY	REMARKS
2F5-83310-60	FRONT FLASHER LIGHT ASSY	2	
115-83311-60	.BULB (6V-18W)	1	

4. Applicable colours of graphics are represented in the “REMARKS” as shown below.

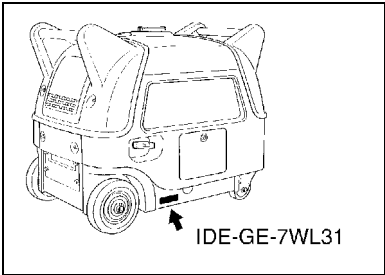
PART NO.	DESCRIPTION	Q'TY	REMARKS
2N4-24110-00-X5	FUEL TANK COMP.	2	MXR
3J1-24240-10	.GRAPHIC, FUEL TANK	1	FOR MXR

5. Note that the illustrations for reference in finding parts numbers are not to be used for assembling. When assembling, please use the applicable service manual.

6. The asterisk (*) before a reference number indicates modified items after the first edition.

FOREWORD

7. Applicable Serial No.
 Frame Serial No.



9. Applicable Starting Serial No.
 *****Serial NO.

Model	Model Code	Destination	Voltage	Serial NO.
EF3000iSE	7WL3	AUSTRALIA	230V-50Hz	7WL-360101

8. Applicable Colour Code (The (*) mark shows Model colour.)

Abbreviation	Colour Name	Colour Code
PBS3(*)	PURPLISH BLUE SOLID 3	0714

CONTENTS

CYLINDER	B2
CRANKSHAFT & PISTON	B3
CAMSHAFT & VALVE	B4
AIR SHROUD & STARTER	B5
INTAKE	B6
CARBURETOR	B7
EXHAUST	B9
CRANKCASE	B10
FRAME	B11
FRAME 2	B12
FRAME 3	B13
FUEL TANK	B14
MAGNETO	B15
STARTING MOTOR	C2
GENERATOR	C3
CONTROL BOX 1	C4
LABELS	C6

INDEX

NUMERICAL INDEX	M1
-----------------------	----

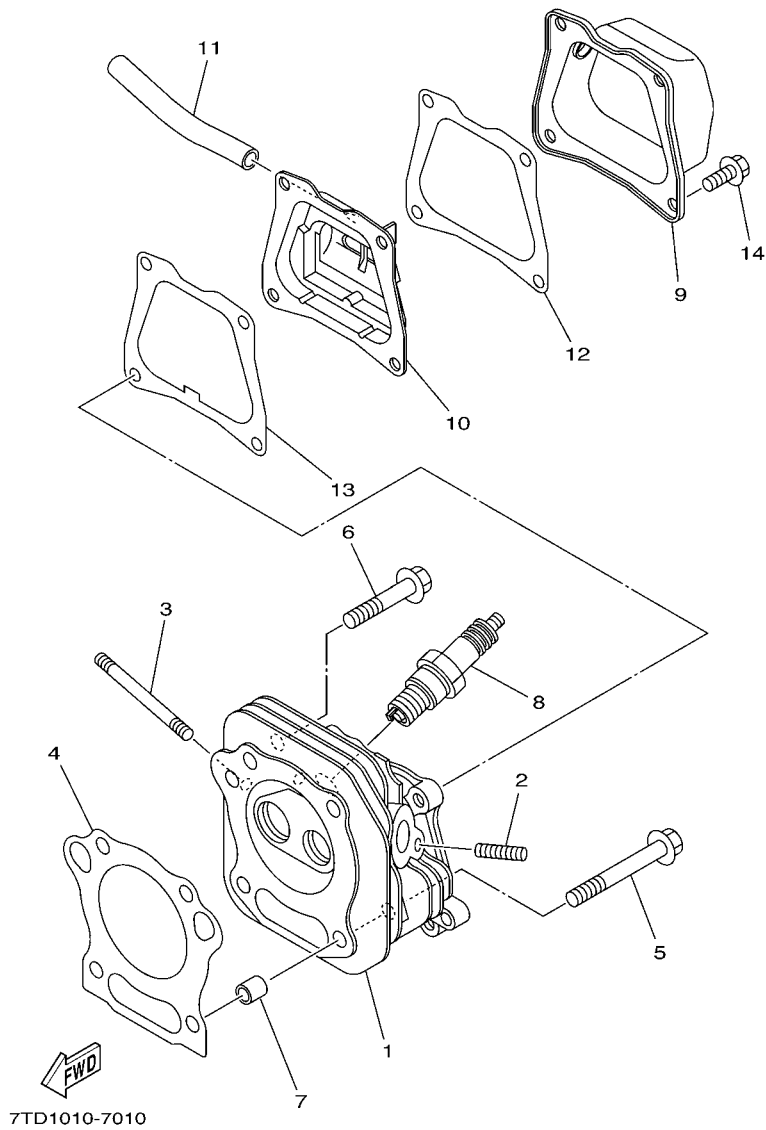
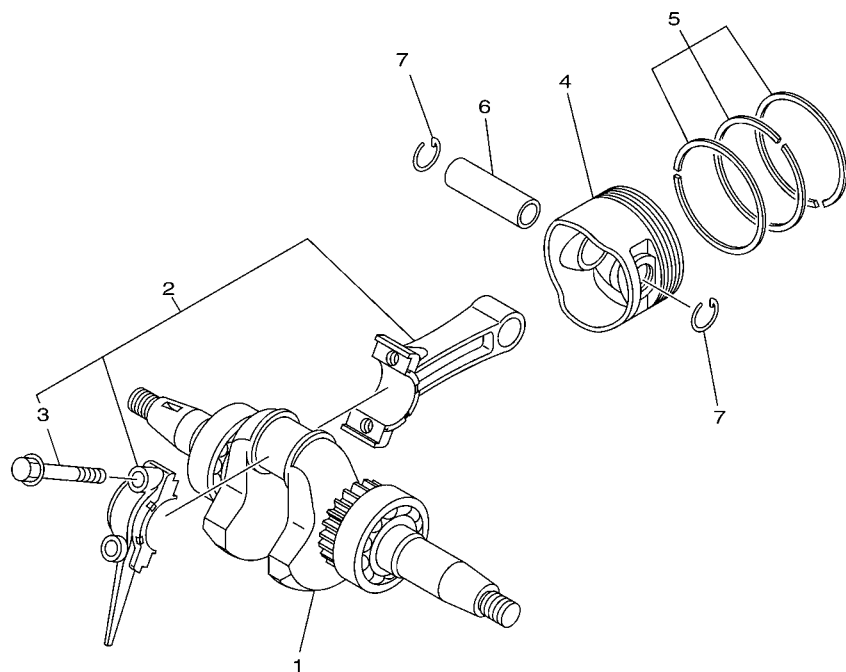


FIG. 1 CYLINDER

REF. NO.	PART NO.	DESCRIPTION	7WL3				REMARKS
1	7WL-11111-00	HEAD, CYLINDER 1	1				
2	95607-06615	BOLT, STUD	2				
3	90116-06493	BOLT, STUD	2				
4	7WC-11181-00	GASKET, CYLINDER HEAD 1	1				
5	95827-08065	BOLT, FLANGE	2				
6	95827-08045	BOLT, FLANGE	2				
7	99530-10114	PIN, DOWEL	2				
8	94702-00331	PLUG, SPARK (NGK BPR4ES)	1				
9	7NJ-11191-00	COVER, CYLINDER HEAD 1	1				
10	7NJ-11160-00	BREATHER ASSY	1				
11	90445-131J5	HOSE (L106)	1				
12	7NJ-11169-00	GASKET, BREATHER COVER	1				
13	7NJ-11193-00	GASKET, HEAD COVER 1	1				
14	95827-06012	BOLT, FLANGE	4				

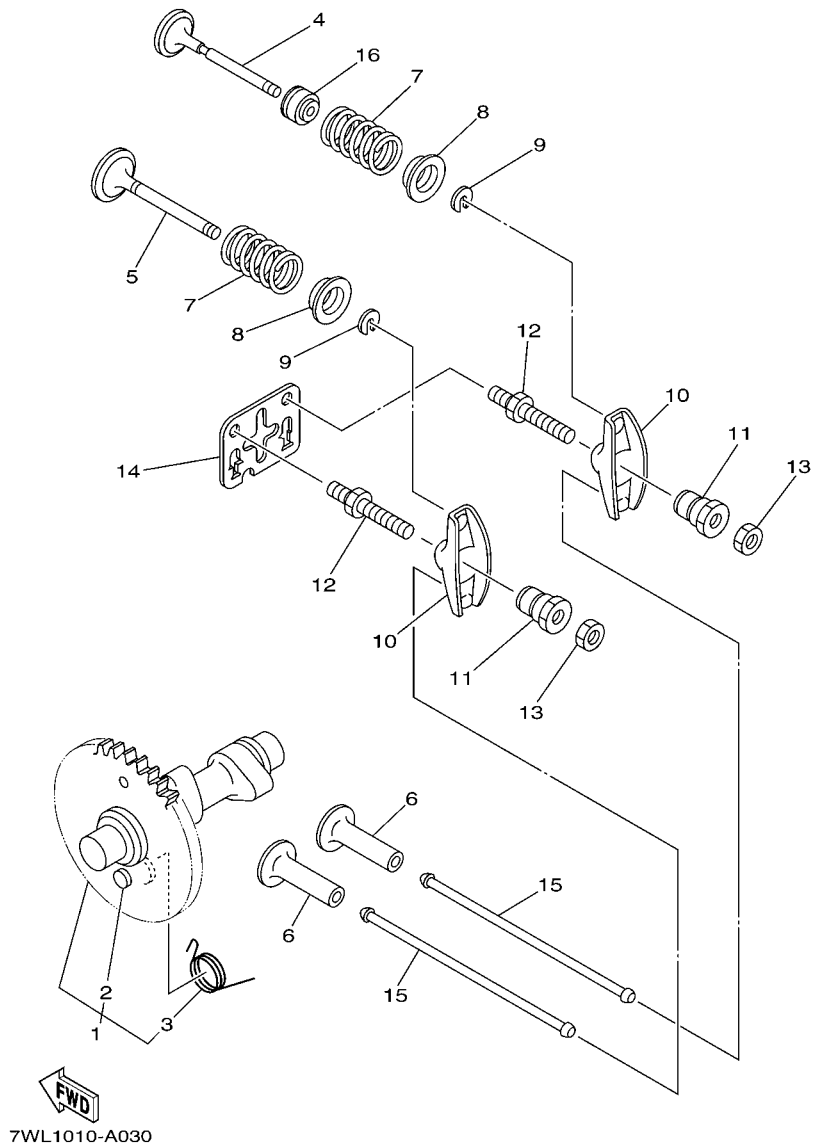
FIG. 2 CRANKSHAFT & PISTON



7WL1010-A020

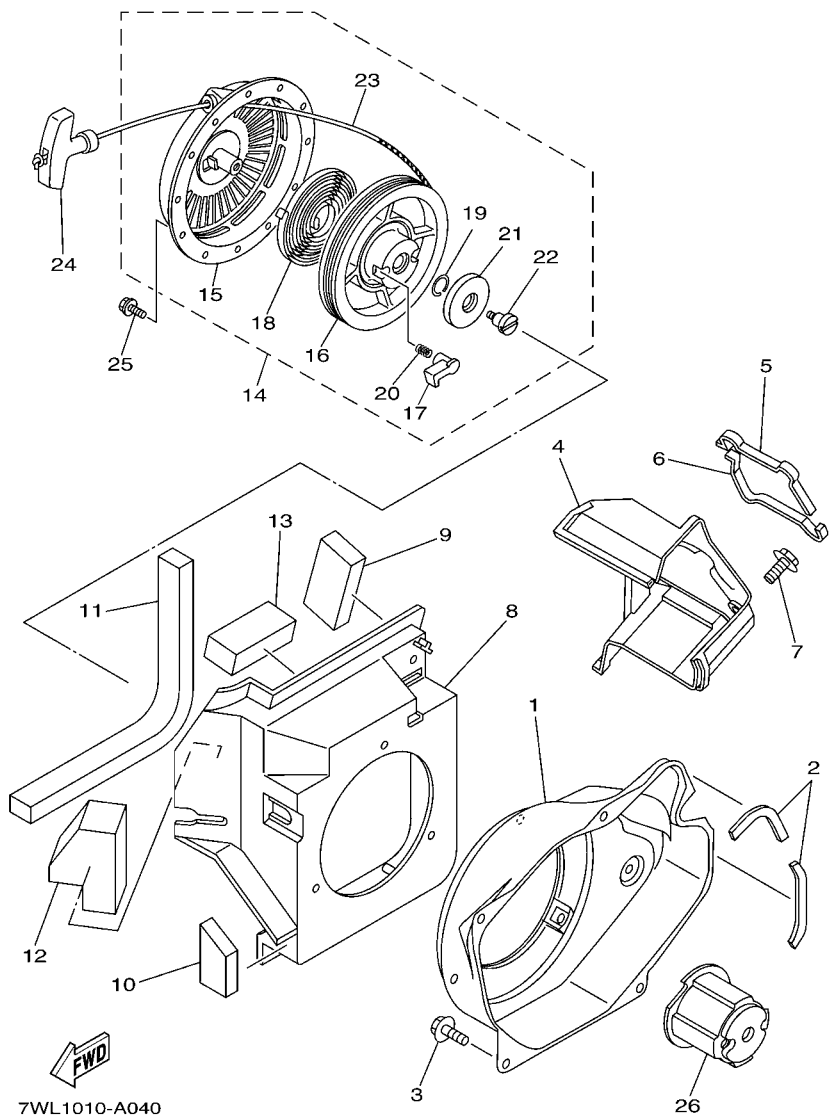
REF. NO.	PART NO.	DESCRIPTION	7WL3				REMARKS
1	7WL-11400-00	CRANKSHAFT ASSY	1				
2	7NJ-11650-00	CONNECTING ROD ASSY	1				
3	JA9-11654-01	.BOLT, CONNECTING ROD	2				
4	7NJ-11631-00-98	PISTON (STD)	1				
	7NJ-11635-00	PISTON (0.25MM O/S)	1				AP
	7NJ-11636-00	PISTON (0.50MM O/S)	1				AP
5	7WC-11610-00	PISTON RING SET (STD)	1				
	7WC-11604-00	PISTON RING SET (0.25MM O/S)	1				AP
	7WC-11605-00	PISTON RING SET (0.50MM O/S)	1				AP
6	4H7-11633-00	PIN, PISTON	1				
7	93450-17025	CIRCLIP	2				

FIG. 3 CAMSHAFT & VALVE



REF. NO.	PART NO.	DESCRIPTION	7WL3				REMARKS
1	7NJ-12170-03	CAMSHAFT ASSY 1	1				
2	7NJ-12299-01	.BOLT, STOPPER	1				
3	7NJ-12287-00	.SPRING, DECOMPRESSION	1				
4	7NJ-12111-00	VALVE, INTAKE	1				
5	7NJ-12121-00	VALVE, EXHAUST	1				
6	7WC-12153-00	LIFTER, VALVE	2				
7	90501-205J4	SPRING, COMPRESSION	2				
8	7NJ-12117-00	RETAINER, VALVE SPRING	2				
9	7NJ-12118-00	COTTER, VALVE	2				
10	7NN-12151-00	ARM, VALVE ROCKER	2				
11	7NN-12165-02	PIVOT, ROCKER ARM	2				
12	7FK-12157-00	BOLT	2				
13	7FK-12158-00	NUT, LOCK	2				
14	7NJ-12155-01	GUIDE, PUSH ROD	1				
15	7WL-12154-00	ROD, VALVE PUSH	2				
16	51Y-12119-00	SEAL, VALVE STEM	1				

FIG. 4 AIR SHROUD & STARTER



REF. NO.	PART NO.	DESCRIPTION	7WL3				REMARKS
1	7WL-12621-00	CASE, FAN	1				
2	7TD-1262J-00	PAD, FAN CASE 3	2				
3	95807-06012	BOLT, FLANGE	4				
4	7TD-12651-01	AIR SHROUD, CYLINDER 1	1				
5	7TD-12658-00	DAMPER, AIR SHROUD 1	1				
6	7TD-12659-00	DAMPER, AIR SHROUD 2	1				
7	95807-06012	BOLT, FLANGE	1				
8	7WL-12616-00	COVER, FAN CASE	1				
9	7WL-12684-00	DAMPER, DUCT 1	1				
10	7WL-12685-00	DAMPER, DUCT 2	1				
11	7WL-12686-00	DAMPER, DUCT 3	1				
12	7WL-12223-00	SEAL	1				
13	7WL-12877-00	SEAL	1				
14	7WL-15710-00	STARTER ASSY	1				
15	7WL-15711-00	.CASE, STARTER	1				
16	7VU-15714-00	.DRUM, SHEAVE	1				
17	JL8-15741-00	.PAWL, DRIVE	2				
18	7TA-15713-00	.SPRING, STARTER	1				
19	7TA-15715-00	.SPRING, FRICTION	1				
20	JK4-15743-00	.SPRING, RETURN	2				
21	7VU-15716-00	.PLATE, DRIVE	1				
22	7NJ-15793-00	.SCREW	1				
23	7VU-15751-00	.WIRE, STARTER	1				
24	7TD-15755-00	HANDLE, STARTER	1				
25	95807-06020	BOLT, FLANGE	3				
26	7WL-15723-00	PULLEY, STARTER	1				

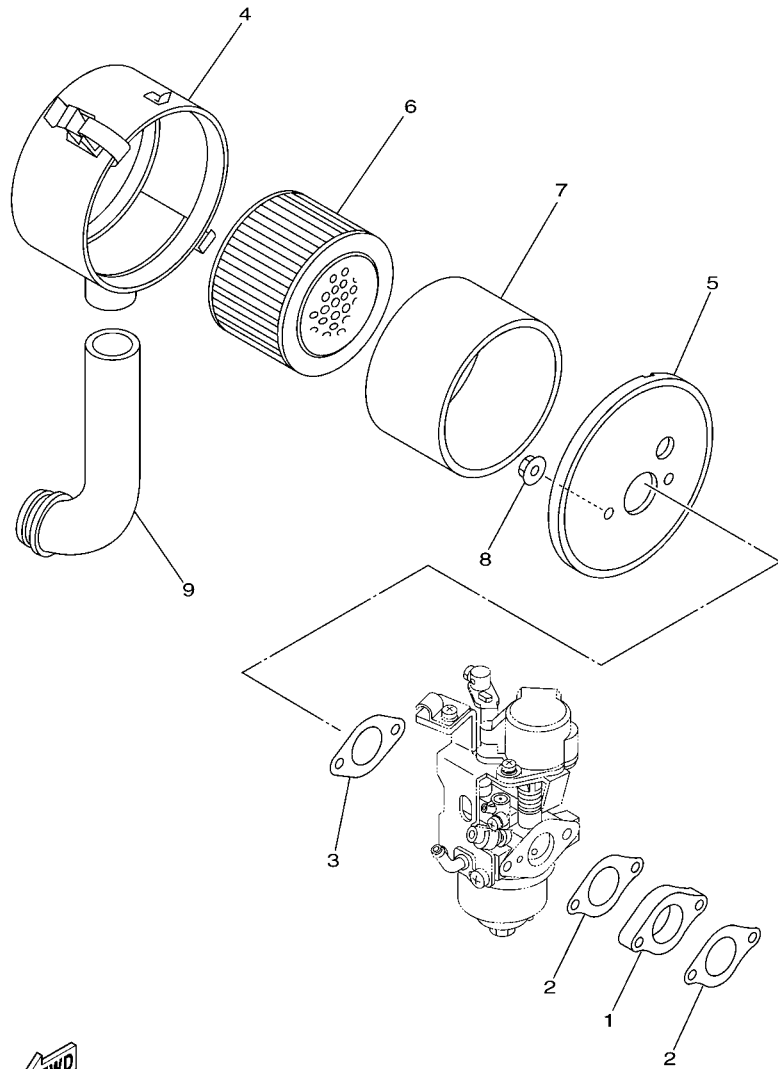


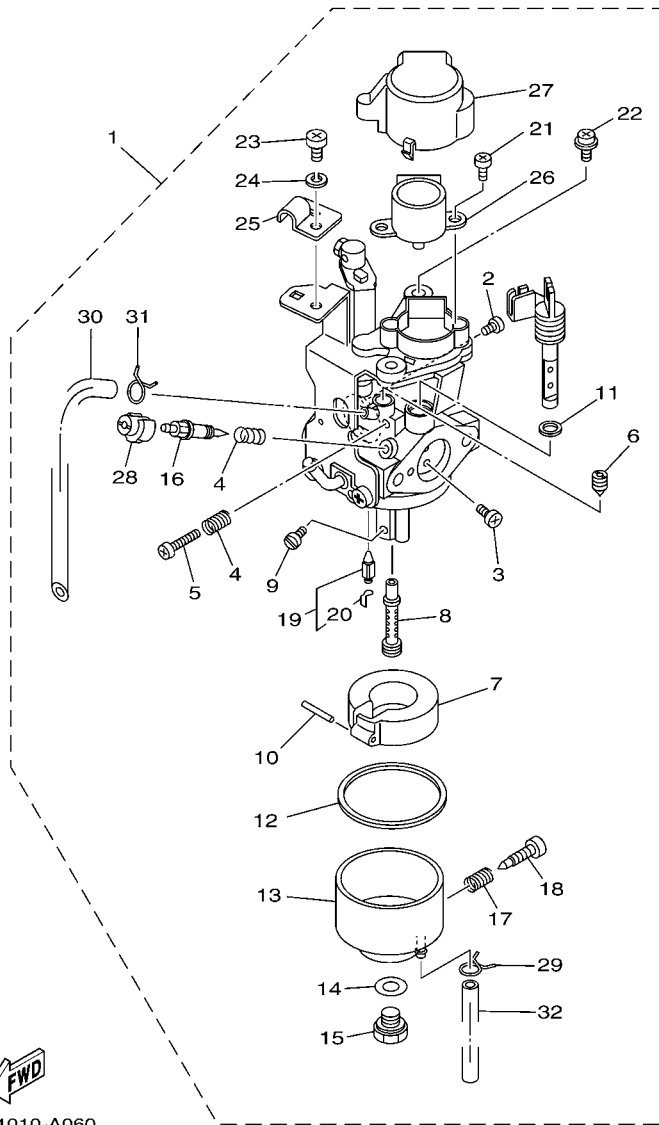
FIG. 5 INTAKE

REF. NO.	PART NO.	DESCRIPTION	7WL3				REMARKS
1	7NJ-13596-00	JOINT, CARBURETOR 2	1				
2	7NJ-13557-00	GASKET	2				
3	7NJ-13567-00	GASKET	1				
4	7TD-14411-00	CASE, AIR CLEANER 1	1				
5	7TD-14468-00	PLATE,ELEMENT FITTING	1				
6	7TD-14451-00	ELEMENT, AIR CLEANER	1				
7	7TD-14461-00	ELEMENT, AIR CLEANER 2	1				
8	95707-06500	NUT, FLANGE	2				
9	7WL-14453-00	JOINT, AIR CLEANER 1	1				


7WL1010-A050

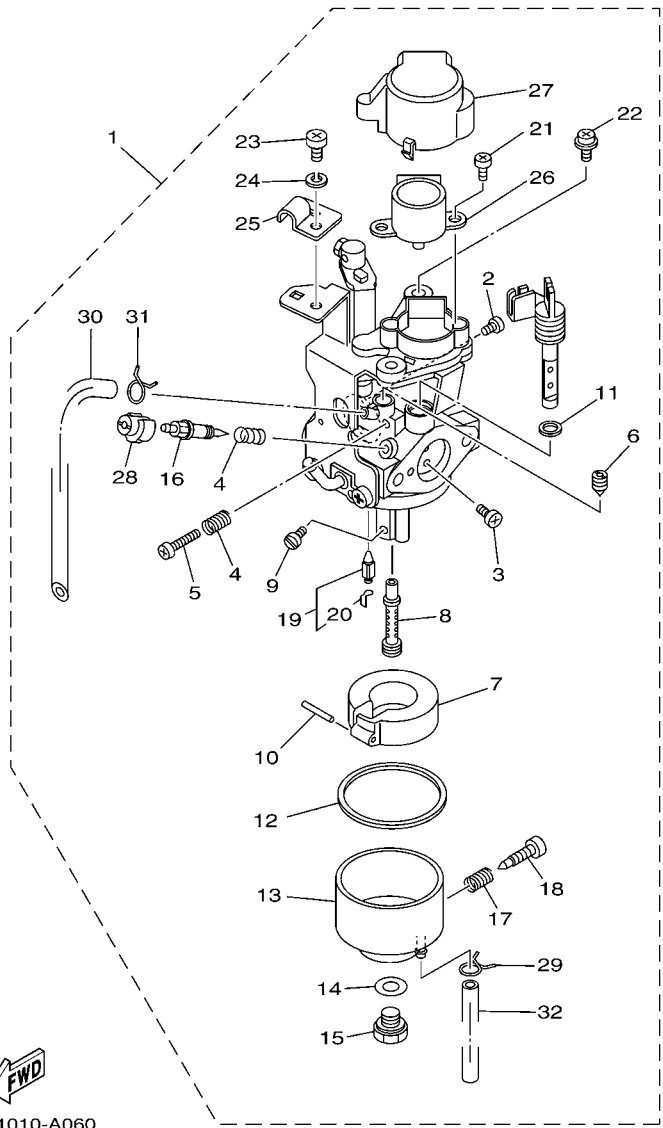
B6

FIG. 6 CARBURETOR



7WL1010-A060

REF. NO.	PART NO.	DESCRIPTION	7WL3				REMARKS
1	7WL-14101-00	CARBURETOR ASSY 1	1				
2	7RH-14216-00	.SCREW	2				
3	7RH-14486-00	.SCREW, ROD	2				
4	73A-14212-00	.SPRING	2				
5	1WG-14922-00	.SCREW, THROTTLE	1				
6	620-14142-37-A0	.JET, PILOT (#37.5)	1				
7	7LG-14185-00	.FLOAT	1				
8	7NN-1495F-1B	.NOZZLE, MAIN	1				
9	1HX-1423E-40	.JET, MAIN (#101.3)	1				
10	22F-14186-00	.PIN, FLOAT	1				
11	7X9-14239-00	.SEAL	1				
12	7G0-14184-00	.GASKET, FLOAT CHAMBER	1				
13	7TD-14181-00	.BODY, FLOAT CHAMBER 1	1				
14	7G0-14227-00	.WASHER	1				
15	7TD-14162-00	.BOLT, HOLDING	1				
16	7NJ-14211-00	.SCREW, PILOT ADJUSTING	1				
17	73A-14212-00	.SPRING	1				
18	7E1-14191-00	.PLUG, DRAIN	1				
19	7LG-14150-11	.NEEDLE ASSY	1				
20	7EG-14159-00	..CLIP	1				
21	98502-03006	.SCREW, PAN HEAD	2				
22	4SV-24453-00	.SCREW	2				
23	98507-05008	.SCREW, PAN HEAD	1				
24	92990-05100	.WASHER, SPRING	1				
25	J45-14243-00	.PLATE	1				
26	7VU-86240-00	.THROTTLE MOTOR ASSY	1				
27	7VU-14293-00	.COVER 1	1				

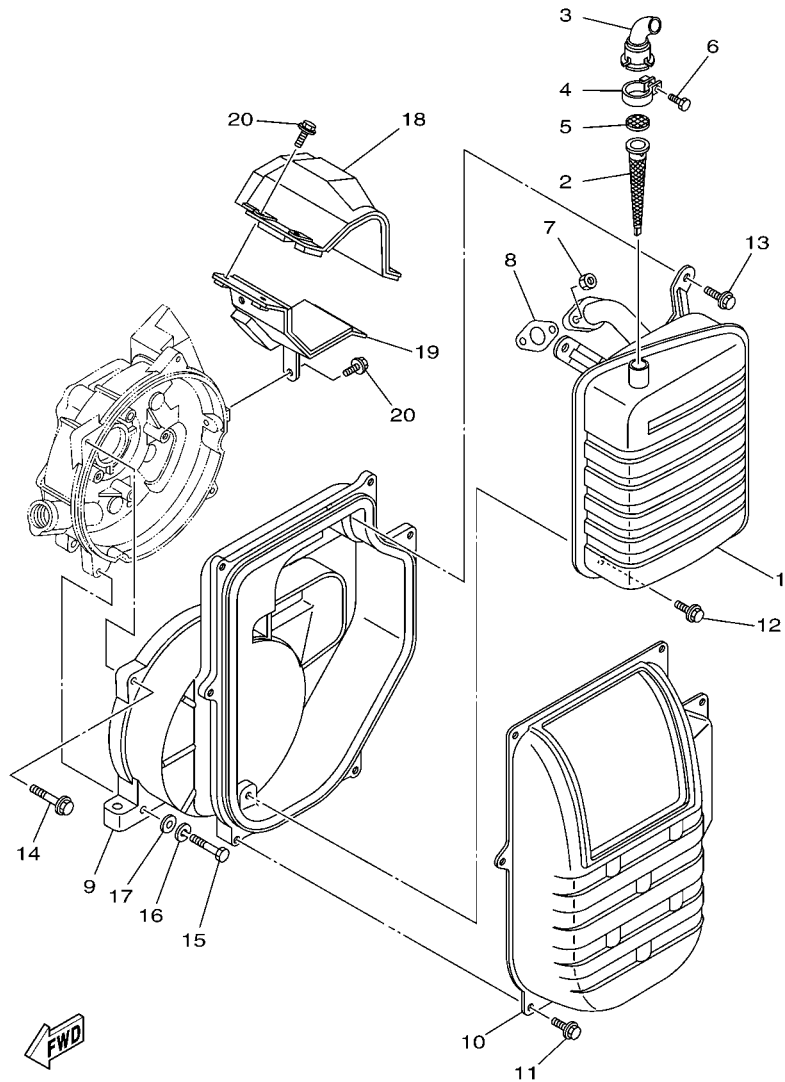



7WL1010-A060

FIG. 6 CARBURETOR

REF. NO.	PART NO.	DESCRIPTION	7WL3				REMARKS
28	7LV-14118-00	.CAP	1				
29	22F-14139-00	.CLIP, PIPE	1				
30	7WL-14197-00	.PIPE	1				
31	14X-14937-00	.CLIP	1				
32	1V3-14196-00	.PIPE	1				
<hr/>							
<hr/>							
<hr/>							
<hr/>							
<hr/>							
<hr/>							
<hr/>							
<hr/>							

FIG. 7 EXHAUST



7WL3700-B070

REF. NO.	PART NO.	DESCRIPTION	7WL3				REMARKS
1	7WL-14711-00	MUFFLER 1	1				
2	7WL-14786-00	ARRESTER, SPARK	1				
3	7WL-14799-00	CAP	1				
4	7NJ-14788-00	BAND, SILENCER	1				
5	7NJ-1479E-00	NET, WIRE 2	1				
6	90153-05024	SCREW, HEXAGON	1				
7	95307-06600	NUT	2				
8	JA9-14613-00	GASKET, EXHAUST PIPE	1				
9	7WL-14627-00	COVER, EXHAUST	1				
10	7WL-14637-00	EXHAUST COVER ASS'Y	1				
11	95807-06012	BOLT, FLANGE	6				
12	95807-08012	BOLT, FLANGE	1				
13	95807-08016	BOLT, FLANGE	2				
14	95807-06030	BOLT, FLANGE	3				
15	97007-06045	BOLT	1				
16	92907-06100	WASHER, SPRING	1				
17	92907-06600	WASHER, PLATE	1				
18	7WL-12690-00	DUCT COMP.	1				
19	7WL-14430-00	DUCT ASSY	1				
20	95807-06012	BOLT, FLANGE	5				

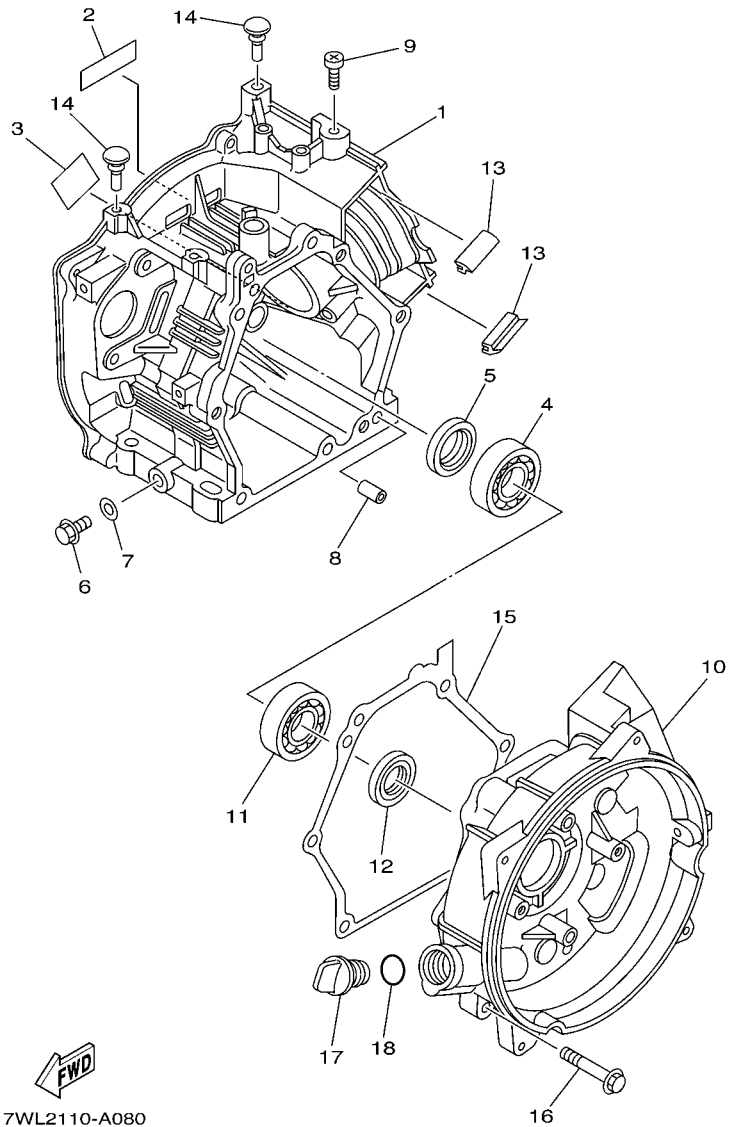
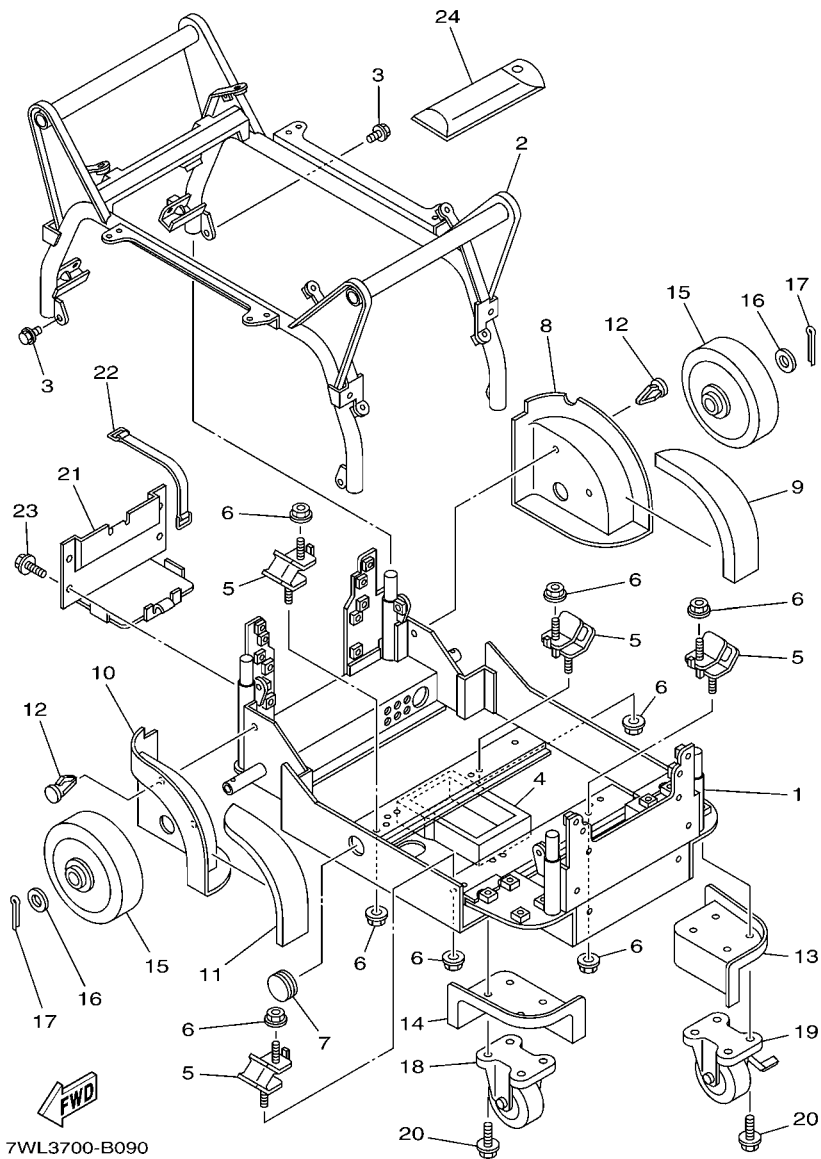


FIG. 8 CRANKCASE

REF. NO.	PART NO.	DESCRIPTION	7WL3				REMARKS
1	7WL-15111-00	CRANKCASE 1	1				
2	7TD-15315-00	SEAL, CRANKCASE	1				
3	7TD-15379-00	SEAL	1				
4	93306-20511	BEARING	1				
5	93102-25090	OIL SEAL	1				
6	95027-10016	BOLT, FLANGE	1				
7	90430-10188	GASKET	1				
8	99530-08016	PIN, DOWEL	2				
9	98507-08012	SCREW, PAN HEAD	1				
10	7WL-15411-00	COVER, CRANKCASE 1	1				
11	93306-20511	BEARING	1				
12	93102-25090	OIL SEAL	1				
13	7TD-15494-00	SEAL, PROTECTOR	2				
14	90338-06181	PLUG	2				
15	7NJ-15451-00	GASKET, CRANKCASE COVER 1	1				
16	95827-08035	BOLT, FLANGE	6				
17	796-15363-01	PLUG, OIL	1				
18	93210-22344	O-RING	1				



7WL3700-B090

FIG. 9 FRAME

REF. NO.	PART NO.	DESCRIPTION	7WL3				REMARKS
1	7WL-22840-01	FRAME, CARRIER COMP.	1				
2	7WL-22850-00	FRAME, CARRIER COMP.	1				
3	95807-06012	BOLT, FLANGE	4				
4	7WL-2289L-00	SEAL 22	1				
5	7LG-22891-00	INSULATOR, MOUNTING	4				
6	95707-08500	NUT, FLANGE	8				
7	90338-28239	PLUG	1				
8	7WL-21511-00	FENDER, FRONT	1				
9	7WL-21541-00	DAMPER 1	1				
10	7WL-21511-10	FENDER, FRONT	1				
11	7WL-21542-00	DAMPER 2	1				
12	90269-10002	RIVET	4				
13	7WL-21556-00	FENDER, FRONT 2	1				
14	7WL-21556-10	FENDER, FRONT 2	1				
15	73A-22845-10	CASTER 1	2				
16	90202-22238	WASHER, PLATE	2				
17	91401-30040	PIN, COTTER	2				
18	7TD-22845-00	CASTER 1	1				
19	7TD-22846-00	CASTER 2	1				
20	95807-08016	BOLT, FLANGE	8				
21	7WL-82122-00	SEAT, BATTERY	1				
22	3V6-82131-00	BAND, BATTERY	1				
23	95807-06012	BOLT, FLANGE	4				
24	7H6-28100-00	TOOL KIT	1				

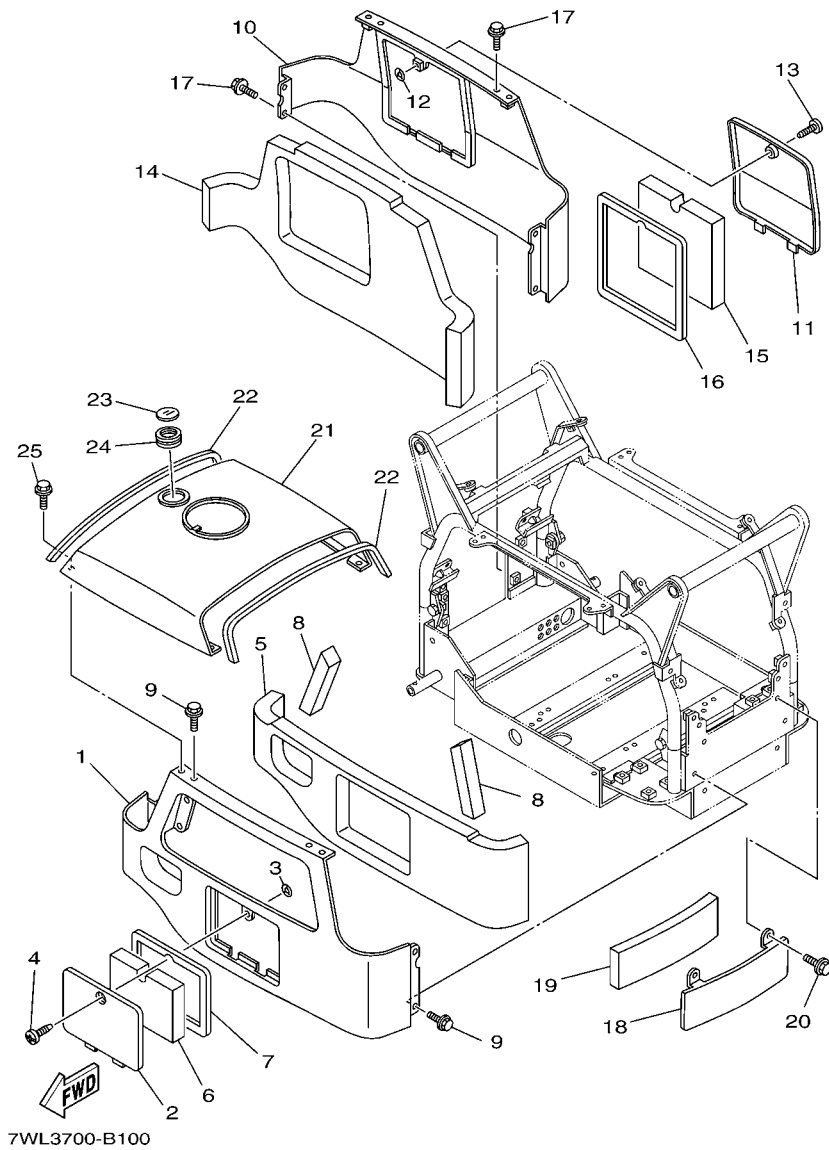
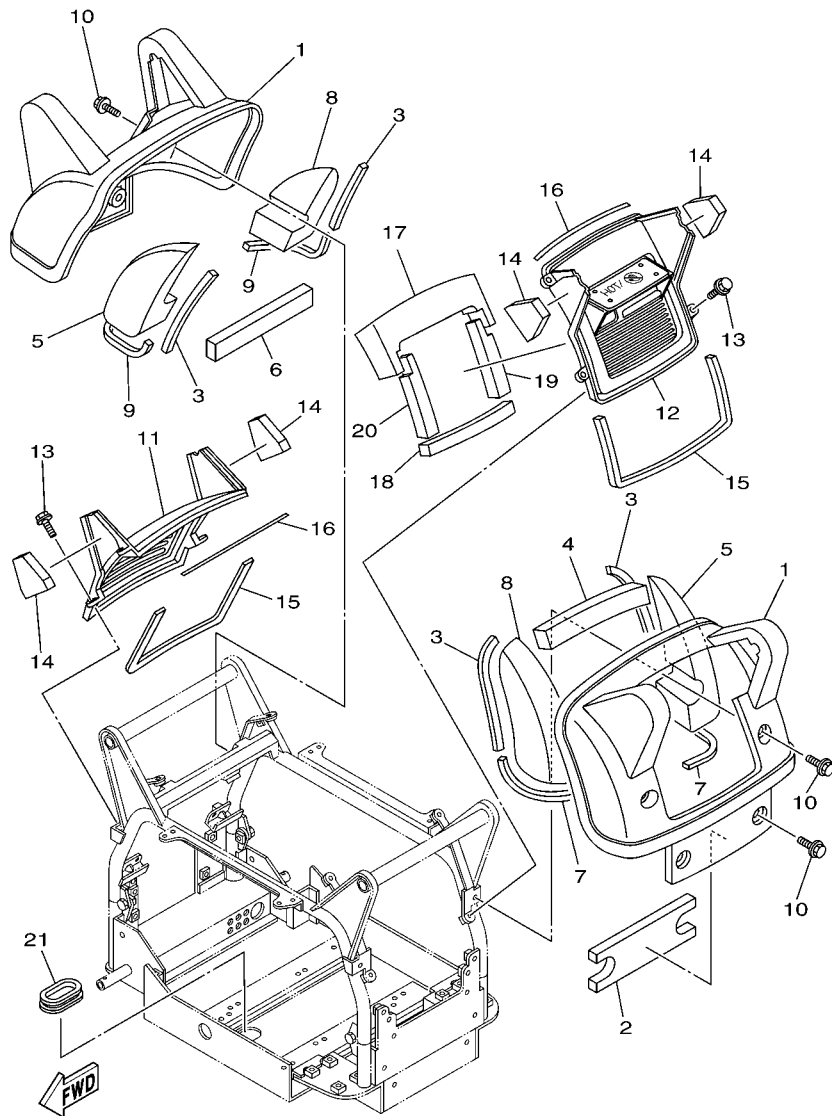


FIG. 10 FRAME 2

REF. NO.	PART NO.	DESCRIPTION	7WL3				REMARKS
1	7WL-22865-00-P0	COVER, FRONT	1				PBS3
2	7WL-2286F-00-P0	COVER, FRONT 2	1				PBS3
3	4U5-2176E-00	PLATE	1				
4	90149-06194	SCREW	1				
5	7WL-22873-00	SEAL 1	1				
6	7WL-22874-00	SEAL 2	1				
7	7WL-2281E-00	SEAL, RUBBER 2	1				
8	7WL-22897-00	SEAL 14	2				
9	95807-06012	BOLT, FLANGE	6				
10	7WL-22866-00-P0	COVER, REAR	1				PBS3
11	7WL-22856-00-P0	COVER 3	1				PBS3
12	4U5-2176E-00	PLATE	1				
13	90149-06194	SCREW	1				
14	7WL-22876-00	SEAL 4	1				
15	7WL-22877-00	SEAL 5	1				
16	7WL-2281F-00	SEAL, RUBBER 3	1				
17	95807-06012	BOLT, FLANGE	6				
18	7WL-22864-00-P0	COVER, SIDE 1	1				PBS3
19	7WL-22878-00	SEAL 6	1				
20	95807-06010	BOLT, FLANGE	4				
21	7WL-22862-00-P0	COVER, UPPER	1				PBS3
22	7WL-22875-00	SEAL 3	2				
23	7WL-21764-00	LENS, LEVEL GAUGE	1				
24	7WL-21773-00	GROMMET	1				
25	95807-06012	BOLT, FLANGE	4				

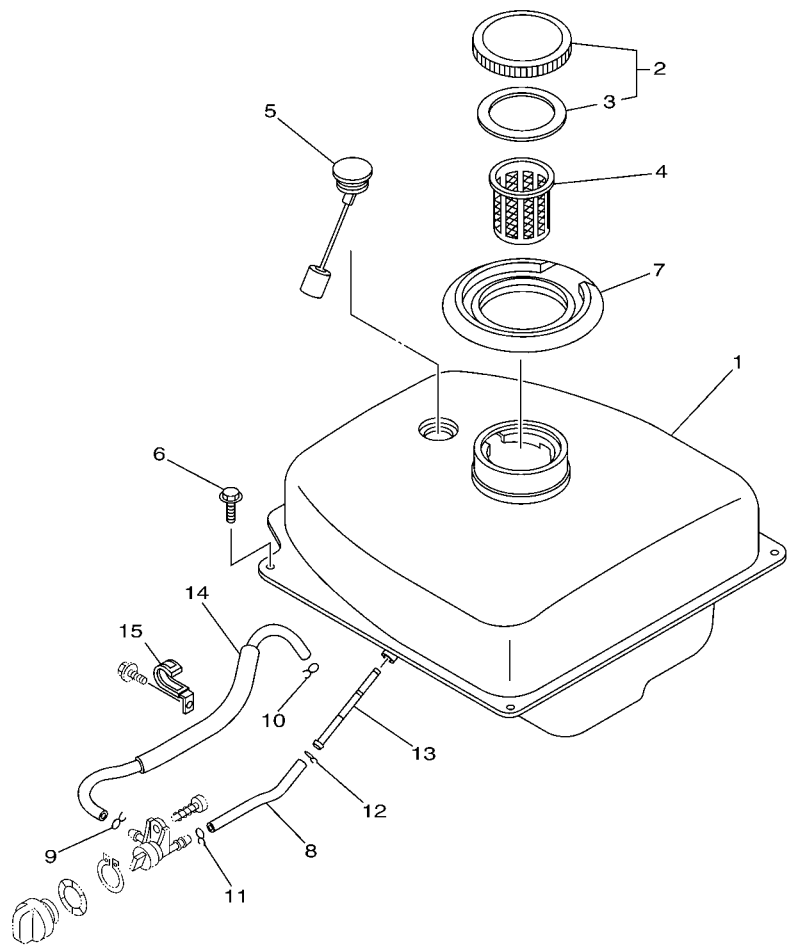


7WL1010-A110

FIG. 11 FRAME 3

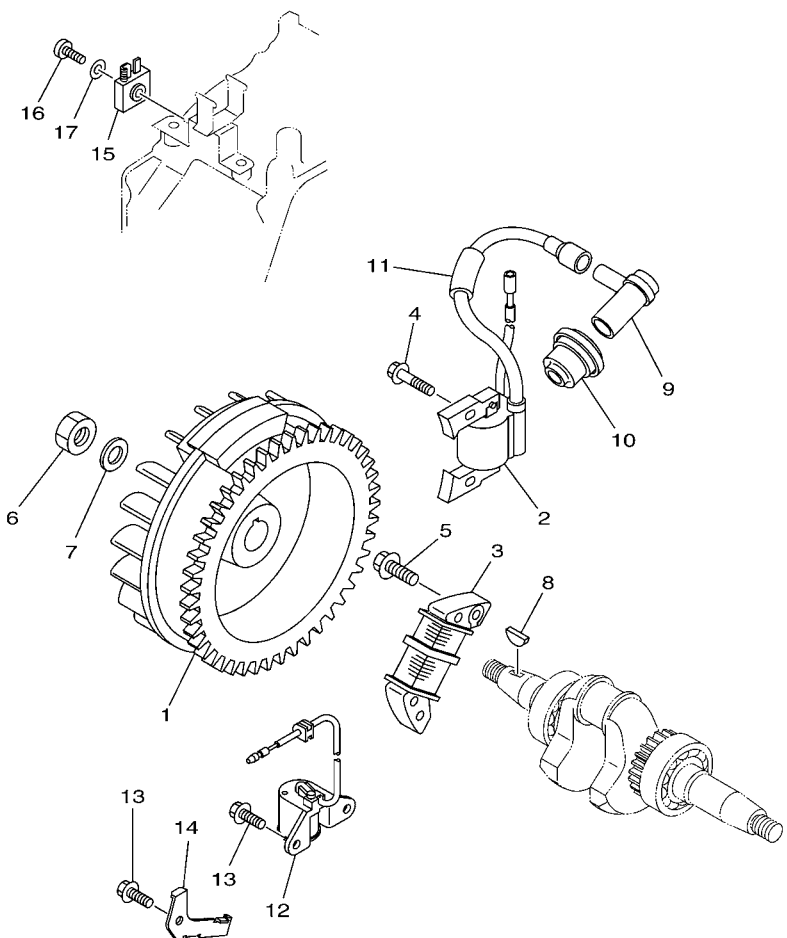
REF. NO.	PART NO.	DESCRIPTION	7WL3				REMARKS
1	7WL-22861-00	COVER 1	2				
2	7WL-22879-00	SEAL 7	1				
3	7WL-22885-00	SEAL 8	4				
4	7WL-22889-00	SEAL 12	1				
5	7WL-22886-00	SEAL 9	2				
6	7WL-22899-00	SEAL 15	1				
7	7WL-2289F-00	SEAL 17	2				
8	7WL-22887-00	SEAL 10	2				
9	7WL-2289G-00	SEAL 18	2				
10	95807-06014	BOLT, FLANGE	8				
11	7WL-22250-00	DAMPER UNIT ASSY	1				
12	7WL-22290-00	COVER ASSY 2	1				
13	95807-06014	BOLT, FLANGE	8				
14	7WL-22888-00	SEAL 11	4				
15	7WL-22896-00	SEAL 13	2				
16	7WL-2289A-00	SEAL 16	2				
17	7WL-2289H-00	SEAL 19	1				
18	7WL-2289J-00	SEAL 20	1				
19	7WL-2289K-00	SEAL 21	1				
20	7WL-2289M-00	SEAL 23	1				
21	7WL-22857-00	COVER 4	1				

FIG. 12 FUEL TANK



7WL1010-A120

REF. NO.	PART NO.	DESCRIPTION	7WL3				REMARKS
1	7WL-24110-00	FUEL TANK COMP.	1				
2	74T-24610-00	CAP ASSY	1				
3	796-24612-00	.GASKET, CAP	1				
4	630-24167-00	STRAINER	1				
5	7A9-85710-02	FUEL LEVEL GAUGE ASSY	1				
6	95807-06012	BOLT, FLANGE	4				
7	7WL-2414G-00	SEAL	1				
8	7WL-24311-00	PIPE, FUEL 1	1				
9	90467-08002	CLIP	1				
10	90467-09103	CLIP	1				
11	90467-10008	CLIP	1				
12	90467-11106	CLIP	1				
13	5BM-24514-00	NET, FILTER 1	1				
14	7WL-24312-00	PIPE 2	1				
15	90462-05061	CLAMP	1				



7WL1010-A130

FIG. 13 MAGNETO

REF. NO.	PART NO.	DESCRIPTION	7WL3				REMARKS
1	7TD-85650-00	ROTOR ASSY	1				
2	7WL-85640-00	T.C.I. UNIT ASSY	1				
3	7WL-85521-00	COIL ASSY	1				
4	95827-06020	BOLT, FLANGE	2				
5	95827-06025	BOLT, FLANGE	2				
6	90170-14403	NUT	1				
7	92907-14200	WASHER	1				
8	90280-04052	KEY, WOODRUFF	1				
9	JN6-82370-00	PLUG CAP ASSY	1				
10	JE8-82372-00	SEAL, PLUG CAP	1				
11	7TD-82373-00	SEAL, HIGH TENSION CORD	1				
12	7NJ-85720-02	OIL LEVEL GAUGE ASSY	1				
13	95827-06012	BOLT, FLANGE	3				
14	7NJ-85724-00	CLAMP	1				
15	353-81970-M0	RECTIFIER ASSY	1				
16	98507-06020	SCREW, PAN HEAD	1				
17	92907-06600	WASHER, PLATE	1				

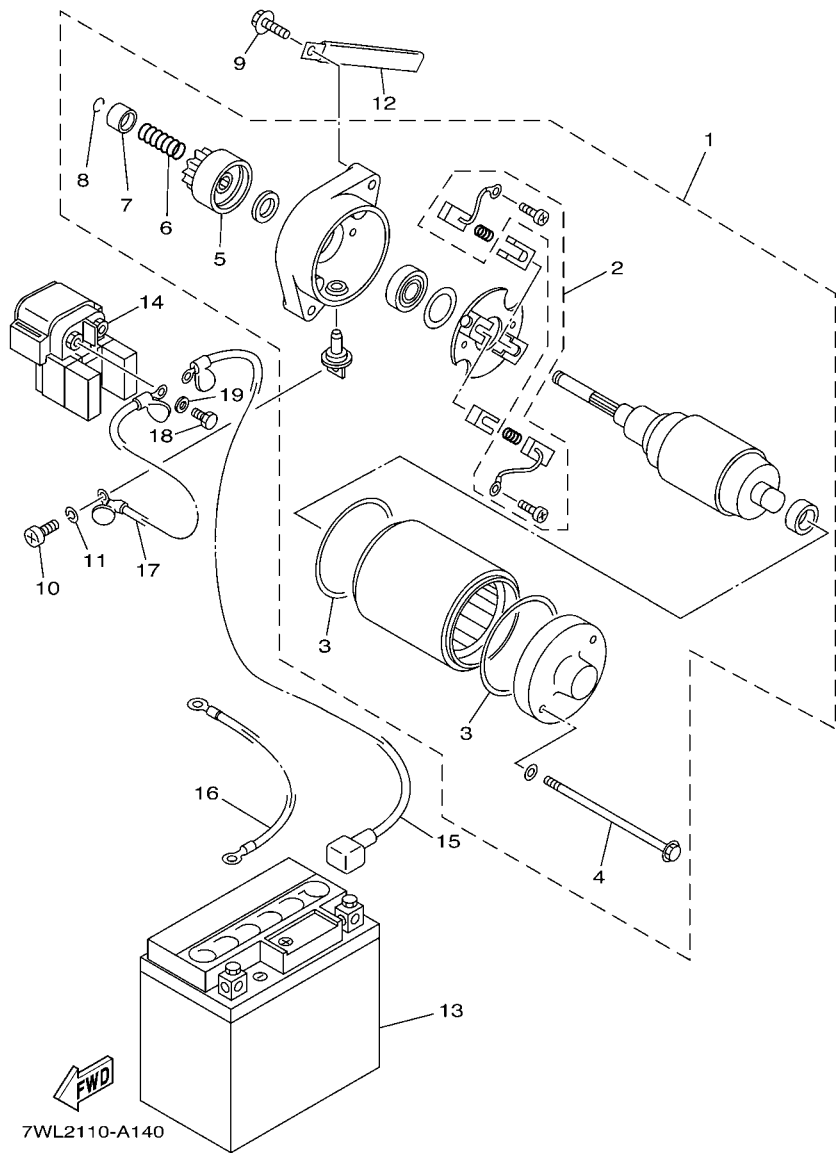


FIG. 14 STARTING MOTOR

REF. NO.	PART NO.	DESCRIPTION	7WL3				REMARKS
1	7TD-81800-00	STARTING MOTOR ASSY	1				
2	50M-81801-M0	.BRUSH SET	1				
3	7LY-8181Y-00	.GASKET, YOKE	2				
4	7LY-81828-00	.BOLT 2	2				
5	7TD-81807-00	.GEAR ASSY, STARTING MOTOR	1				
6	JE0-81858-00	.SPRING, RETURN	1				
7	XD7-81859-00	.STOPPER, PINION	1				
8	XD4-81833-00	.RING, STOP	1				
9	95827-06020	BOLT, FLANGE	2				
10	98507-05008	SCREW, PAN HEAD	1				
11	92907-05100	WASHER, SPRING	1				
12	90462-05061	CLAMP	1				
13	3VD-82100-01	BATTERY ASSY (YTX12-BS)	1				
14	3EL-81940-00	STARTER RELAY ASSY	1				
15	7WL-82115-00	WIRE, PLUS LEAD	1				
16	7WL-82116-00	WIRE, MINUS LEAD	1				
17	7WL-81815-00	CORD, STARTER MOTOR	1				
18	97007-06010	BOLT	2				
19	92907-06600	WASHER, PLATE	2				

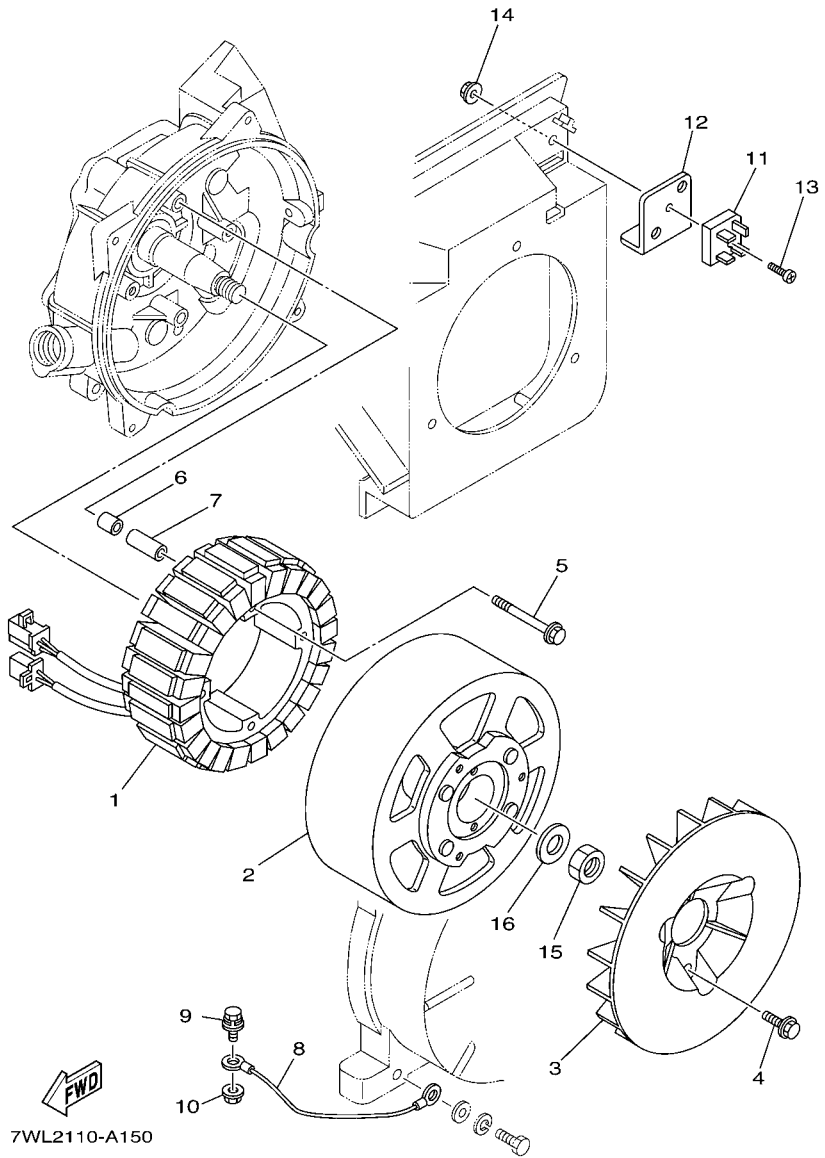


FIG. 15 GENERATOR

REF. NO.	PART NO.	DESCRIPTION	7WL3				REMARKS
1	7WL-87150-20	STATOR ASSY	1				
2	7WL-87160-00	ROTOR ASSY	1				
3	7WL-87172-00	FAN, GENERATOR	1				
4	95807-06016	BOLT, FLANGE	3				
5	95827-06055	BOLT, FLANGE	4				
6	99530-08012	PIN, DOWEL	2				
7	7WL-8719F-00	TUBE 7	2				
8	7WL-87139-00	LEAD WIRE ASSY 2	1				
9	90119-06M41	BOLT, WITH WASHER	1				
10	95780-06500	NUT, FLANGE	1				
11	7VU-87105-00	RECTIFIER ASSY 1	1				
12	7VU-86515-00	PLATE, HEAT SINK	1				
13	98507-05020	SCREW, PAN HEAD	1				
14	95607-05200	NUT, U FLANGE	1				
15	90170-14403	NUT	1				
16	92907-14200	WASHER	1				

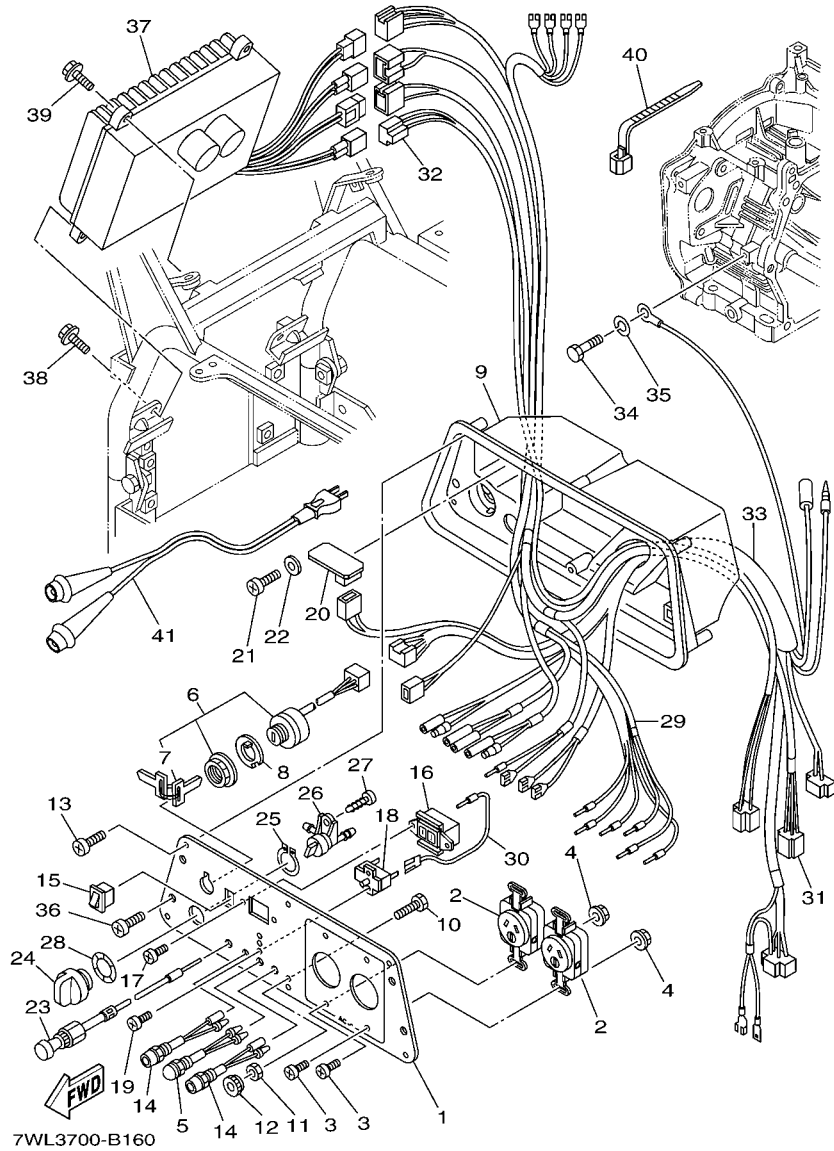


FIG. 16 CONTROL BOX 1

REF. NO.	PART NO.	DESCRIPTION	7WL3			REMARKS
1	7WL-87249-G0	PLATE	1			
2	73G-87221-90	RECEPTACLE 1 (CRIPSAL 415/15)	2			AUSTRALIA
3	98507-04012	SCREW, PAN HEAD	4			
4	95707-04500	NUT, FLANGE	4			
5	7NJ-83530-G0	PILOT LIGHT ASSY	1			
6	7LP-82510-00	MAIN SWITCH ASSY	1			
7	73A-82511-00	.KEY, MAIN SWITCH	2			
8	7RG-82517-00	WASHER, SPECIAL	1			
9	7WL-87213-00	COVER, CONTROL BOX	1			
10	97080-05016	BOLT	1			
11	95707-05500	NUT, FLANGE	1			
12	95380-05700	NUT	1			
13	97707-40516	SCREW, TAPPING	6			
14	7VU-83582-00	PILOT LIGHT ASSY	2			
15	7NJ-82550-00	ENGINE STOP SWITCH ASSY	1			ECON. SW
16	7H8-87214-11	RECEPTACLE COMP. (WCZ 1220-125	1			
17	98507-04008	SCREW, PAN HEAD	2			
18	7WL-82181-00	CIRCUIT BREAKER COMP.	1			
19	98507-03008	SCREW, PAN HEAD	2			
20	7WL-85680-01	SPEED LIMITER ASSY	1			
21	97707-30512	SCREW, TAPPING	1			
22	90201-03013	WASHER, PLATE	1			
23	7TD-26331-00	CABLE, CHOKE	1			
24	7WL-24524-00	LEVER, COCK	1			
25	99009-24400	CIRCLIP	1			
26	7WL-24500-00	FUEL COCK ASSY 1	1			
27	97707-50016	SCREW, TAPPING	1			

NUMERICAL INDEX

PART NO.	GRID NO.	PART NO.	GRID NO.	PART NO.	GRID NO.	PART NO.	GRID NO.	PART NO.	GRID NO.	PART NO.	GRID NO.
7WL-11111-00	B - 2	22F-14139-00	B - 8	7VU-15714-00	B - 5	7WL-22896-00	B - 13	7LP-82510-00	C - 4	90462-05061	C - 2
7NJ-11160-00	B - 2	620-14142-37-A0	B - 7	7TA-15715-00	B - 5	7WL-22897-00	B - 12	73A-82511-00	C - 4	90464-13073	C - 5
7NJ-11169-00	B - 2	7LG-14150-11	B - 7	7VU-15716-00	B - 5	7WL-22899-00	B - 13	7RG-82517-00	C - 4	90467-08002	B - 14
7WC-11181-00	B - 2	7EG-14159-00	B - 7	7WL-15723-00	B - 5	7WL-2289A-00	B - 13	7NJ-82550-00	C - 4	90467-09103	B - 14
7NJ-11191-00	B - 2	7TD-14162-00	B - 7	7JL8-15741-00	B - 5	7WL-2289F-00	B - 13	7NJ-83530-G0	C - 4	90467-10008	B - 14
7NJ-11193-00	B - 2	7TD-14181-00	B - 7	JK4-15743-00	B - 5	7WL-2289G-00	B - 13	7VU-83582-00	C - 4	90467-11106	B - 14
7WL-11400-00	B - 3	7G0-14184-00	B - 7	7VU-15751-00	B - 5	7WL-2289H-00	B - 13	7WL-85521-00	B - 15	90501-205J4	B - 4
7WC-11604-00	B - 3	7LG-14185-00	B - 7	7TD-15755-00	B - 5	7WL-2289J-00	B - 13	7WL-85640-00	B - 15	91401-30040	B - 11
7WC-11605-00	B - 3	22F-14186-00	B - 7	7NJ-15793-00	B - 5	7WL-2289K-00	B - 13	7TD-85650-00	B - 15	92907-05100	C - 2
7WC-11610-00	B - 3	7E1-14191-00	B - 7	7WL-21511-00	B - 11	7WL-2289L-00	B - 11	7WL-85680-01	C - 4	92907-06100	B - 9
7NJ-11631-00-98	B - 3	1V3-14196-00	B - 8	7WL-21511-10	B - 11	7WL-2289M-00	B - 13	7A9-85710-02	B - 14		C - 5
4H7-11633-00	B - 3	7WL-14197-00	B - 8	7WL-21541-00	B - 11	7WL-24110-00	B - 14	7NJ-85720-02	B - 15	92907-06600	B - 9
7NJ-11635-00	B - 3	7NJ-14211-00	B - 7	7WL-21542-00	B - 11	7WL-2414G-00	B - 14	7NJ-85724-00	B - 15		B - 15
7NJ-11636-00	B - 3	73A-14212-00	B - 7	7WL-21556-00	B - 11	7WL-24161-10	C - 6	7VU-86240-00	B - 7		C - 2
7NJ-11650-00	B - 3	7RH-14216-00	B - 7	7WL-21556-10	B - 11	7NJ-24162-10	C - 6	7VU-86515-00	C - 3	92907-14200	B - 15
JA9-11654-01	B - 3	7G0-14227-00	B - 7	7WL-21764-00	B - 12	7WL-24164-40	C - 6	7VU-87105-00	C - 3		C - 3
7NJ-12111-00	B - 4	7X9-14239-00	B - 7	4U5-2176E-00	B - 12	630-24167-00	B - 14	7WL-87139-00	C - 3	92990-05100	C - 7
7NJ-12117-00	B - 4	1HX-1423E-40	B - 7	7WL-21773-00	B - 12	7MJ-24237-00	C - 6	7WL-87150-20	C - 3	93102-25090	B - 10
7NJ-12118-00	B - 4	J45-14243-00	B - 7	7WL-22250-00	B - 13	7WL-24311-00	B - 14	7WL-87160-00	C - 3	93210-22344	B - 10
51Y-12119-00	B - 4	7VU-14293-00	B - 7	7WL-22290-00	B - 13	7WL-24312-00	B - 14	7WL-87172-00	C - 3	93306-20511	B - 10
7NJ-12121-00	B - 4	7TD-14411-00	B - 6	7WL-2281E-00	B - 12	4SV-24453-00	B - 7	7WL-8719F-00	C - 3	93450-17025	B - 3
7NN-12151-00	B - 4	7WL-14430-00	B - 9	7WL-2281F-00	B - 12	7WL-24500-00	C - 4	7LJ-87209-10	C - 5	94702-00331	B - 2
7WC-12153-00	B - 4	7TD-14451-00	B - 6	7WL-22840-01	B - 11	5BM-24514-00	B - 14	7WL-87213-00	C - 4	95027-10016	B - 10
7WL-12154-00	B - 4	7WL-14453-00	B - 6	7TD-22845-00	B - 11	7WL-24524-00	C - 4	7H8-87214-11	C - 4	95307-06600	B - 9
7NJ-12155-01	B - 4	7TD-14461-00	B - 6	73A-22845-10	B - 11	74T-24610-00	B - 14	73G-87221-90	C - 4	95380-05700	C - 4
7FK-12157-00	B - 4	7TD-14468-00	B - 6	7TD-22846-00	B - 11	796-24612-00	B - 14	7WL-87225-N0	C - 5	95607-05200	C - 3
7FK-12158-00	B - 4	7RH-14486-00	B - 7	7WL-22850-00	B - 11	7TD-26331-00	C - 4	7WL-8722J-N0	C - 5	95607-06615	B - 2
7NN-12165-02	B - 4	JA9-14613-00	B - 9	7WL-22856-00-P0	B - 12	7HG-28100-00	B - 11	7WL-8722W-70	C - 5	95707-04500	C - 4
7NJ-12170-03	B - 4	7WL-14627-00	B - 9	7WL-22857-00	B - 13	7TD-81800-00	C - 2	7WL-8722X-00	C - 5	95707-05500	C - 4
7WL-12223-00	B - 5	7WL-14637-00	B - 9	7WL-22861-00	B - 13	50M-81801-M0	C - 2	7WL-8722Y-N0	C - 5	95707-06500	B - 6
7NJ-12287-00	B - 4	7WL-14711-00	B - 9	7WL-22862-00-P0	B - 12	7TD-81807-00	C - 2	7WL-87249-G0	C - 4	95707-08500	B - 11
7NJ-12299-01	B - 4	7WL-14786-00	B - 9	7WL-22864-00-P0	B - 12	7WL-81815-00	C - 2	7WL-8A210-20	C - 5	95780-06500	C - 3
7WL-12616-00	B - 5	7NJ-14788-00	B - 9	7WL-22865-00-P0	B - 12	7LY-8181Y-00	C - 2	90116-06493	B - 2	95807-06010	B - 12
7WL-12621-00	B - 5	7WL-14799-00	B - 9	7WL-22866-00-P0	B - 12	7LY-81828-00	C - 2	90119-06M41	C - 3	95807-06012	B - 5
7TD-1262J-00	B - 5	7NJ-1479E-00	B - 9	7WL-2286F-00-P0	B - 12	XD4-81833-00	C - 2	90149-06194	B - 12		B - 9
7TD-12651-01	B - 5	1WG-14922-00	B - 7	7WL-22873-00	B - 12	JE0-81858-00	C - 2	90153-05024	B - 9		B - 11
7TD-12658-00	B - 5	14X-14937-00	B - 8	7WL-22874-00	B - 12	XD7-81859-00	C - 2	90170-14403	B - 15		B - 12
7TD-12659-00	B - 5	7NN-1495F-1B	B - 7	7WL-22875-00	B - 12	3EL-81940-00	C - 2		C - 3		B - 14
7WL-12684-00	B - 5	7WL-15111-00	B - 10	7WL-22876-00	B - 12	353-81970-M0	B - 15	90201-03013	C - 4	95807-06014	B - 13
7WL-12685-00	B - 5	7TD-15315-00	B - 10	7WL-22877-00	B - 12	3VD-82100-01	C - 2	90202-22238	B - 11	95807-06016	C - 3
7WL-12686-00	B - 5	796-15363-01	B - 10	7WL-22878-00	B - 12	7WL-82115-00	C - 2	90206-26001	C - 5	95807-06020	B - 5
7WL-12690-00	B - 9	7TD-15379-00	B - 10	7WL-22879-00	B - 13	7WL-82116-00	C - 2	90269-10002	B - 11	95807-06030	B - 9
7WL-12877-00	B - 5	7WL-15411-00	B - 10	7WL-22885-00	B - 13	7WL-82122-00	B - 11	90280-04052	B - 15	95807-08012	B - 9
7NJ-13557-00	B - 6	7NJ-15451-00	B - 10	7WL-22886-00	B - 13	3V6-82131-00	B - 11	90338-06181	B - 10	95807-08016	B - 9
7NJ-13567-00	B - 6	7TD-15494-00	B - 10	7WL-22887-00	B - 13	7WL-82181-00	C - 4	90338-28239	B - 11		B - 11
7NJ-13596-00	B - 6	7WL-15710-00	B - 5	7WL-22888-00	B - 13	JN6-82370-00	B - 15	90430-10188	B - 10	95827-06012	B - 2
7WL-14101-00	B - 7	7WL-15711-00	B - 5	7WL-22889-00	B - 13	JE8-82372-00	B - 15	90445-131J5	B - 2		B - 15
7LV-14118-00	B - 8	7TA-15713-00	B - 5	7LG-22891-00	B - 11	7TD-82373-00	B - 15	90462-05061	B - 14		C - 5

NUMERICAL INDEX

PART NO.	GRID NO.	PART NO.	GRID NO.	PART NO.	GRID NO.	PART NO.	GRID NO.	PART NO.	GRID NO.	PART NO.	GRID NO.
95827-06020	B - 15										
	C - 2										
	C - 5										
95827-06025	B - 15										
95827-06055	C - 3										
95827-08035	B - 10										
95827-08045	B - 2										
95827-08065	B - 2										
97007-06010	C - 2										
97007-06045	B - 9										
97080-05016	C - 4										
97307-06012	C - 5										
97707-30512	C - 4										
97707-40516	C - 4										
97707-50016	C - 4										
98502-03006	B - 7										
98507-03008	C - 4										
98507-04008	C - 4										
98507-04012	C - 4										
98507-05008	B - 7										
	C - 2										
98507-05020	C - 3										
98507-06020	B - 15										
98507-08012	B - 10										
98907-06014	C - 5										
99009-24400	C - 4										
99530-08012	C - 3										
99530-08016	B - 10										
99530-10114	B - 2										