



PARTS CATALOGUE

EF2800i (7VU3) AUSTRALIA



1B7VU-700E1

(2B7VU-700E1)

EF2800i
PARTS CATALOGUE
©2003 by Yamaha Motor Co., Ltd.
1st edition, April 2003
All rights reserved.
Any reprinting or unauthorized use
without the written permission of
Yamaha Motor Co., Ltd.
is expressly prohibited.
Printed in Japan.

A3

FOREWORD

This Parts Catalogue is related to the parts for the model(s) on the cover page. When you are ordering replacement parts, please refer to this Parts Catalogue and quote both part numbers and part names correctly.

1. Modifications or additions which have been made after the issue of the Parts Catalogue will be announced in the Parts News.

It is advisable that you make the necessary corrections to the Parts Catalogue according to the Parts News.

2. Abbreviations

The following abbreviations are used in this Parts Catalogue.

“UR” Use specified parts number.

“UN” Use as many as needed.

“AP” Alternate Parts

“LM” Locally Made (Parts need to be ordered locally)

“F#” Frame No. (Applicable machine No.)

“O/S” Over Size

3. The number of components for assembly

- Parts, which are to be supplied in an assembly, are listed with a dot (.) in front of the part name as shown below.
- The numeral appearing to the right of each component part indicates the quantity of parts for each assembly unit.

PART NO.	DESCRIPTION	Q'TY	REMARKS
2F5-83310-60	FRONT FLASHER LIGHT ASSY	2	
115-83311-60	.BULB (6V-18W)	1	

4. Applicable colours of graphics are represented in the “REMARKS” as shown below.

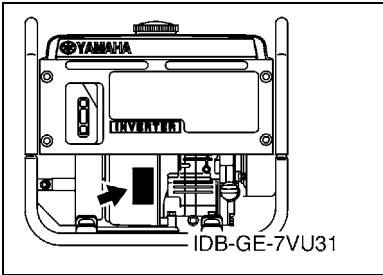
PART NO.	DESCRIPTION	Q'TY	REMARKS
2N4-24110-00-X5	FUEL TANK COMP.	2	MXR
3J1-24240-10	.GRAPHIC, FUEL TANK	1	FOR MXR

5. Note that the illustrations for reference in finding parts numbers are not to be used for assembling. When assembling, please use the applicable service manual.

6. The asterisk (*) before a reference number indicates modified items after the first edition.

FOREWORD

7. Applicable Serial No.
 Frame Serial No.



9. Applicable Starting Serial No.
 *****Serial NO.

Model	Model Code	Destination	Voltage	Serial NO.
EF2800i	7VU3	AUSTRALIA	230V-50Hz	7VU-350101

8. Applicable Colour Code (The (*) mark shows Model colour.)

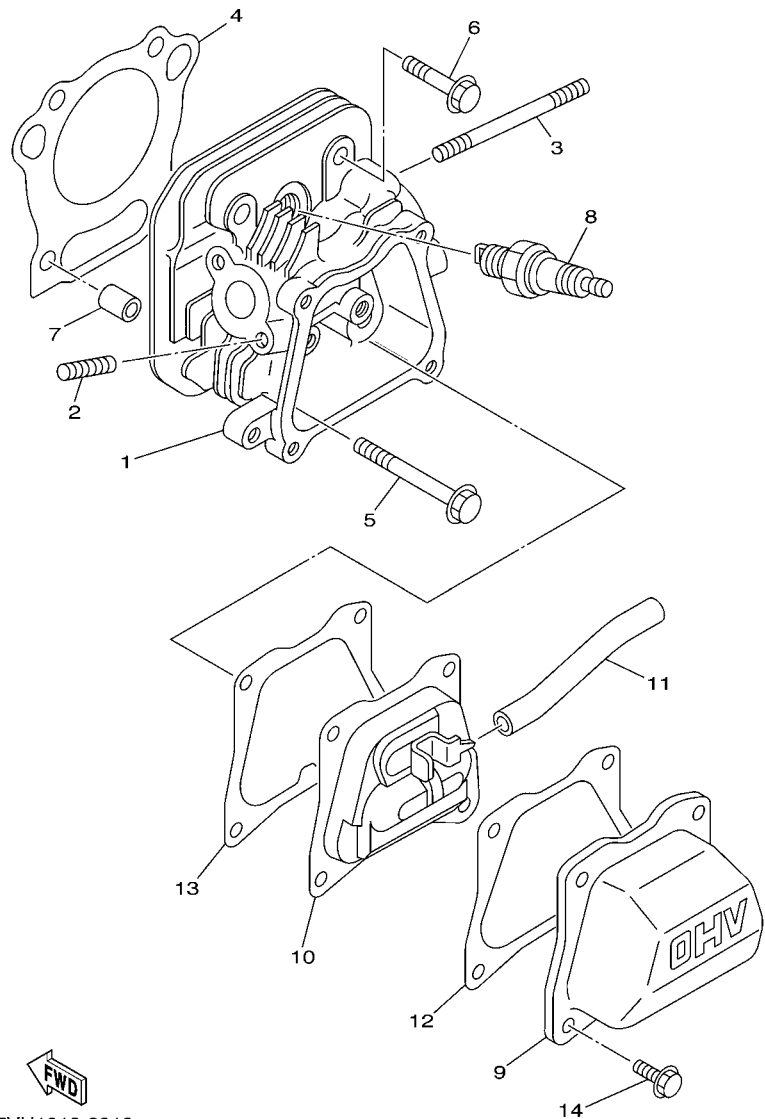
Abbreviation	Colour Name	Colour Code
PBS3(*)	PURPLISH BLUE SOLID 3	0714

CONTENTS

CYLINDER	B2
CRANKSHAFT & PISTON	B3
CAMSHAFT & VALVE	B4
AIR SHROUD & STARTER	B5
INTAKE	B6
CARBURETOR	B7
EXHAUST	B8
CRANKCASE	B9
FRAME	B10
FUEL TANK	B11
MAGNETO	B12
GENERATOR	B13
CONTROL BOX	B14
LABELS	C2

INDEX

NUMERICAL INDEX	M1
-----------------------	----

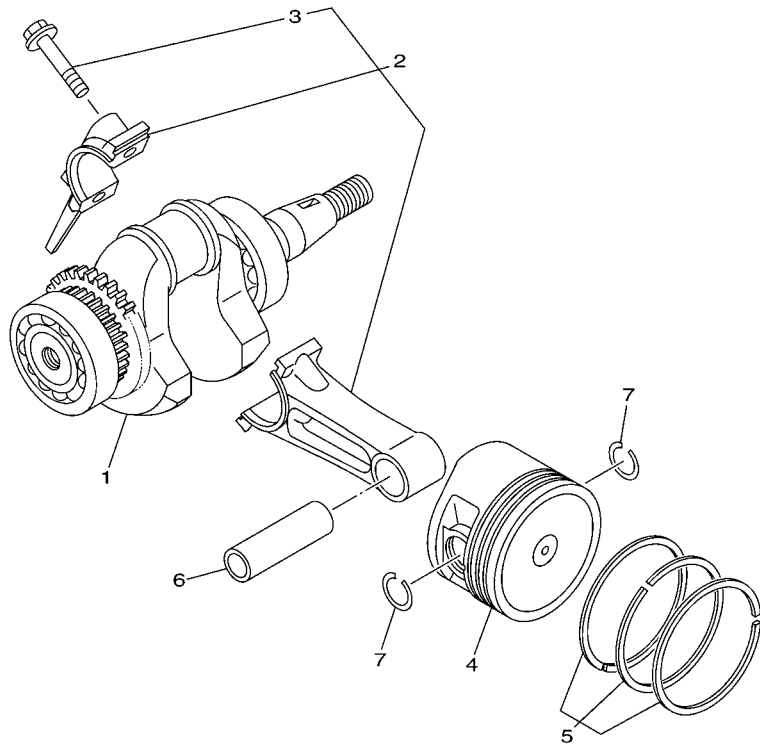


7VU1010-0010

FIG. 1 CYLINDER

REF. NO.	PART NO.	DESCRIPTION	7VU3				REMARKS
1	7WC-11111-00	HEAD, CYLINDER 1	1				
2	95607-06615	BOLT, STUD	2				
3	90116-06493	BOLT, STUD	2				
4	7WC-11181-00	GASKET, CYLINDER HEAD 1	1				
5	95827-08065	BOLT, FLANGE	2				
6	95827-08045	BOLT, FLANGE	2				
7	99530-10114	PIN, DOWEL	2				
8	94702-00331	PLUG, SPARK (NGK BPR4ES)	1				
9	7NJ-11191-00	COVER, CYLINDER HEAD 1	1				
10	7NJ-11160-00	BREATHER ASSY	1				
11	90445-131J5	HOSE (L106)	1				
12	7NJ-11169-00	GASKET, BREATHER COVER	1				
13	7NJ-11193-00	GASKET, HEAD COVER 1	1				
14	95827-06012	BOLT, FLANGE	4				

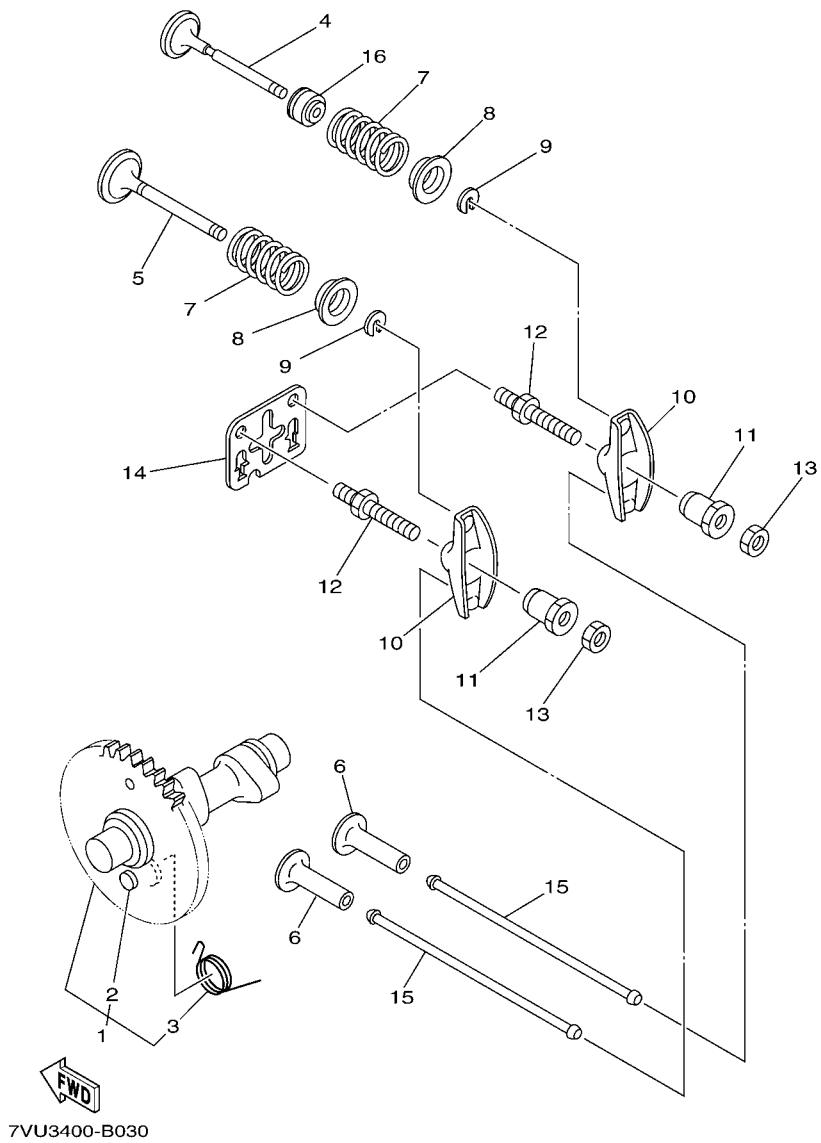
FIG. 2 CRANKSHAFT & PISTON




7VU1010-0021

REF. NO.	PART NO.	DESCRIPTION	7VUS				REMARKS
1	7VU-11400-01	CRANKSHAFT ASSY	1				
2	7NJ-11650-00	CONNECTING ROD ASSY	1				
3	JA9-11654-01	.BOLT, CONNECTING ROD	2				
4	7NJ-11631-00-98	PISTON (STD)	1				
	7NJ-11635-00	PISTON (0.25MM O/S)	1				AP
	7NJ-11636-00	PISTON (0.50MM O/S)	1				AP
5	7WC-11610-00	PISTON RING SET (STD)	1				
	7WC-11604-00	PISTON RING SET (0.25MM O/S)	1				AP
	7WC-11605-00	PISTON RING SET (0.50MM O/S)	1				AP
6	4H7-11633-00	PIN, PISTON	1				
7	93450-17025	CIRCLIP	2				

FIG. 3 CAMSHAFT & VALVE



REF. NO.	PART NO.	DESCRIPTION	7VU3				REMARKS
1	7NJ-12170-03	CAMSHAFT ASSY 1	1				
2	7NJ-12299-01	.BOLT, STOPPER	1				
3	7NJ-12287-00	.SPRING, DECOMPRESSION	1				
4	7NJ-12111-00	VALVE, INTAKE	1				
5	7NJ-12121-00	VALVE, EXHAUST	1				
6	7WC-12153-00	LIFTER, VALVE	2				UR
	JA9-12153-10	LIFTER, VALVE	2				UR
7	90501-205J4	SPRING, COMPRESSION	2				
8	7NJ-12117-00	RETAINER, VALVE SPRING	2				
9	7NJ-12118-00	COTTER, VALVE	2				
10	7NN-12151-00	ARM, VALVE ROCKER	2				
11	7NN-12165-02	PIVOT, ROCKER ARM	2				
12	7FK-12157-00	BOLT	2				
13	7FK-12158-00	NUT, LOCK	2				
14	7NJ-12155-01	GUIDE, PUSH ROD	1				
15	7NJ-12154-00	ROD, VALVE PUSH	2				
16	51Y-12119-00	SEAL, VALVE STEM	1				

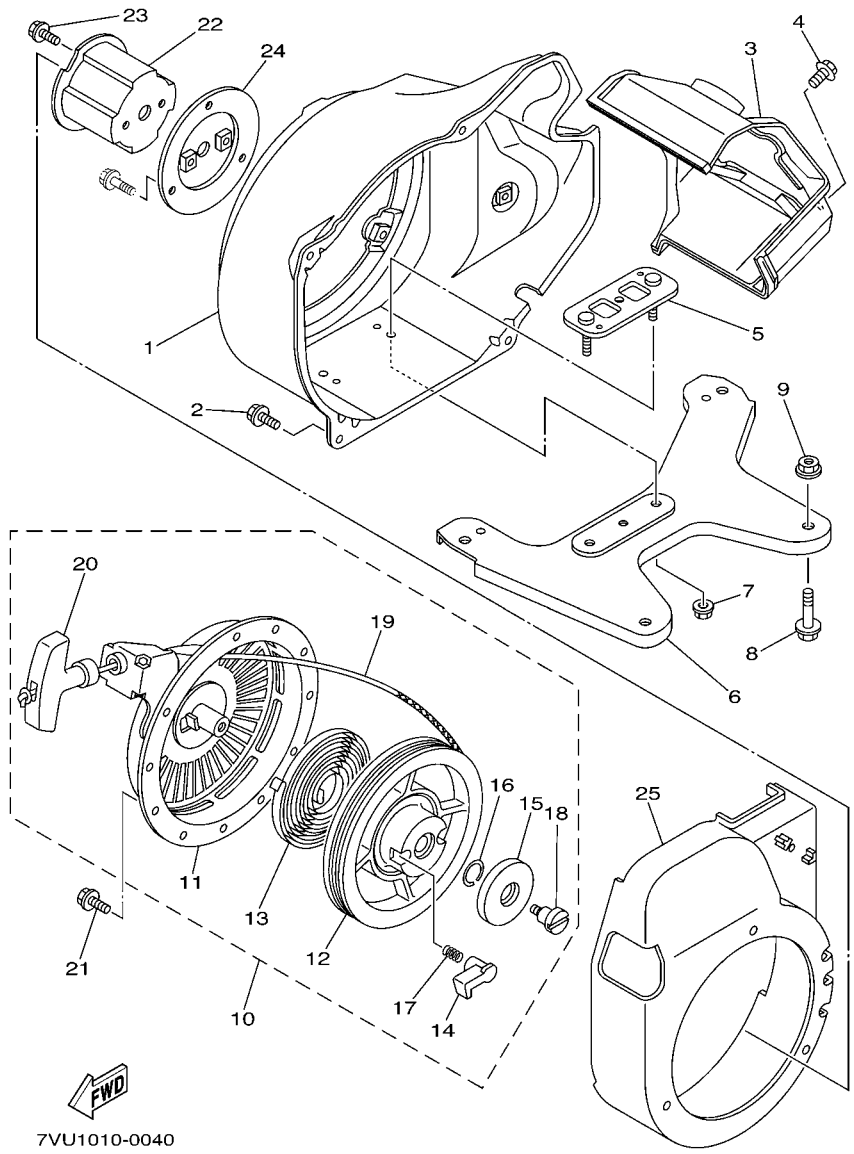
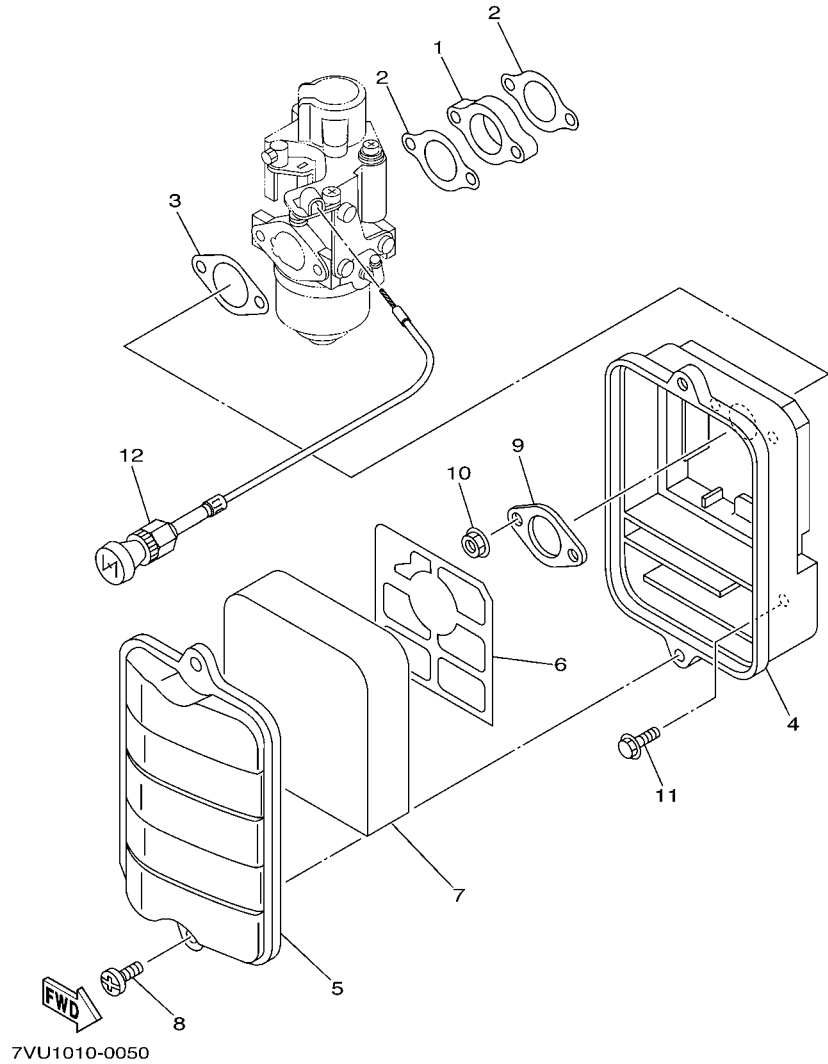


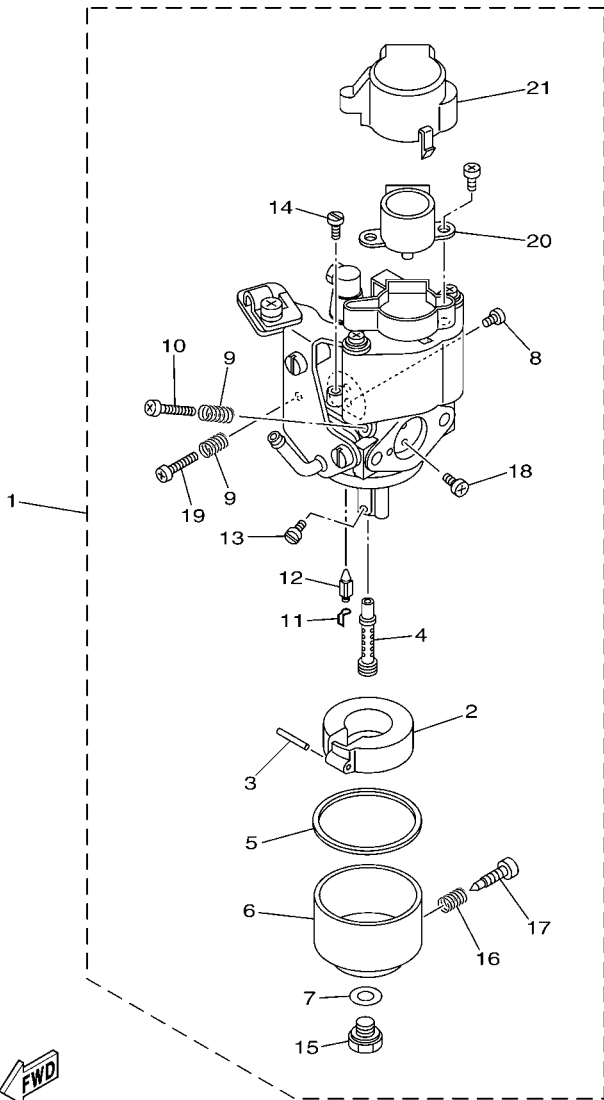
FIG. 4 AIR SHROUD & STARTER

REF. NO.	PART NO.	DESCRIPTION	7VU3				REMARKS
1	7VU-12621-00	CASE, FAN	1				
2	95807-06012	BOLT, FLANGE	4				
3	7NJ-12651-02	AIR SHROUD, CYLINDER 1	1				
4	95807-06012	BOLT, FLANGE	1				
5	7VU-12633-00	PLATE	1				
6	7VU-11011-00	BRACKET, ENGINE 1	1				
7	95707-06500	NUT, FLANGE	2				
8	95807-08030	BOLT, FLANGE	2				
9	95707-08500	NUT, FLANGE	2				
10	7VU-15710-00	STARTER ASSY	1				
11	7VU-15711-00	.CASE, STARTER	1				
12	7VU-15714-00	.DRUM, SHEAVE	1				
13	7TA-15713-00	.SPRING, STARTER	1				
14	JL8-15741-00	.PAWL, DRIVE	2				
15	7VU-15716-00	.PLATE, DRIVE	1				
16	7TA-15715-00	.SPRING, FRICTION	1				
17	JK4-15743-00	.SPRING, RETURN	2				
18	7NJ-15793-00	.SCREW	1				
19	7VU-15751-00	.WIRE, STARTER	1				
20	7TA-15755-00	.HANDLE, STARTER	1				
21	95807-06016	BOLT, FLANGE	3				
22	7VU-15723-00	PULLEY, STARTER	1				
23	95807-06008	BOLT, FLANGE	2				
24	7VU-15724-00	SPACER	1				
25	7VU-12616-00	COVER, FAN CASE	1				

FIG. 5 INTAKE



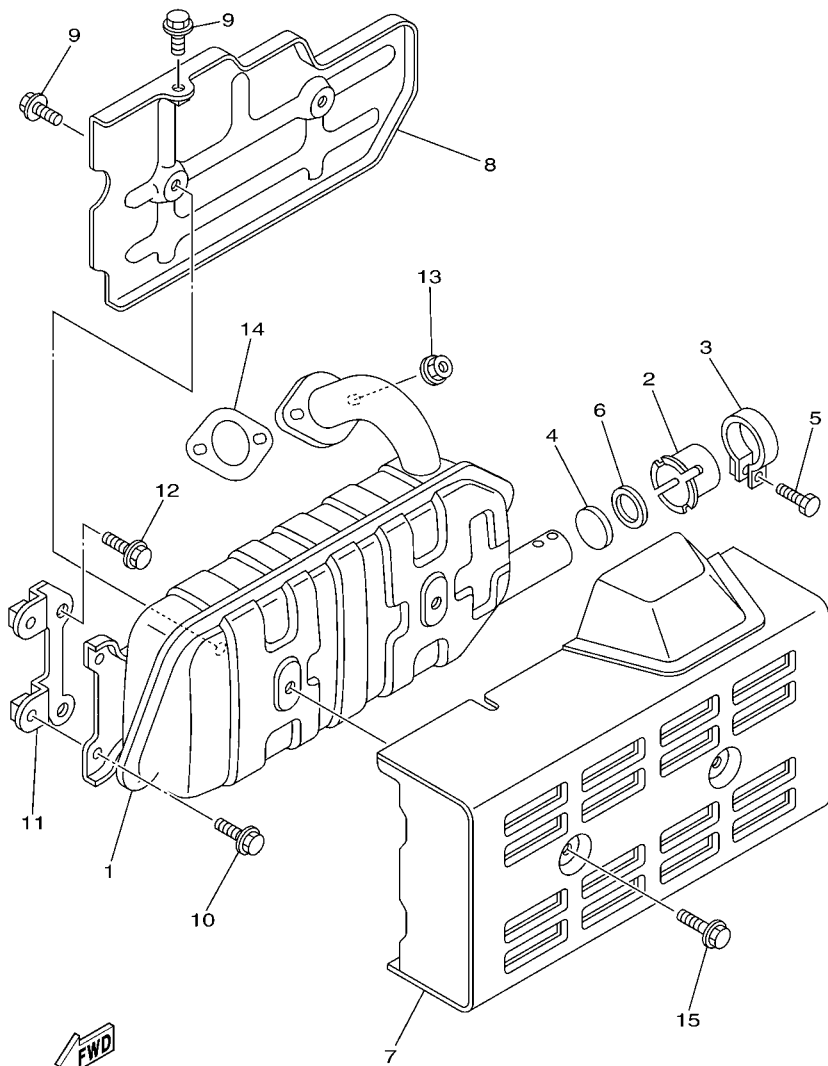
REF. NO.	PART NO.	DESCRIPTION	7VU3				REMARKS
1	7NJ-13596-00	JOINT, CARBURETOR 2	1				
2	7NJ-13557-00	GASKET	2				
3	7NJ-13567-00	GASKET	1				
4	7NJ-14411-00	CASE, AIR CLEANER 1	1				
5	7NJ-14412-00	CAP, CLEANER CASE 1	1				
6	7NJ-14468-00	PLATE,ELEMENT FITTING	1				
7	7NJ-14451-00	ELEMENT, AIR CLEANER	1				
8	90146-06014	SCREW, OVAL FILLISTER	2				
9	7NB-14477-00	PLATE	1				
10	95707-06500	NUT, FLANGE	2				
11	95807-06016	BOLT, FLANGE	1				
12	7VU-26331-00	CABLE, STARTER 1	1				



7VU3400-B060

FIG. 6 CARBURETOR

REF. NO.	PART NO.	DESCRIPTION	7VU3				REMARKS
1	7VU-14101-00	CARBURETOR ASSY 1	1				
2	7LG-14185-00	.FLOAT	1				
3	22F-14186-00	.PIN, FLOAT	1				
4	7NN-1495F-1B	.NOZZLE, MAIN	1				
5	7G0-14184-00	.GASKET, FLOAT CHAMBER	1				
6	7EG-14181-00	.BODY, FLOAT CHAMBER 1	1				
7	7G0-14227-00	.WASHER	1				
8	7RH-14486-00	.SCREW, ROD	2				
9	73A-14212-00	.SPRING	2				
10	7LV-14211-00	.SCREW, PILOT ADJUSTING	1				
11	7EG-14159-00	.CLIP	1				
12	7LG-14150-11	.NEEDLE ASSY	1				
13	1HX-1423E-35	.JET, MAIN(#88.8)	1				
14	620-14142-37	.JET, PILOT (# 37.5)	1				
15	7NJ-14162-00	.BOLT, HOLDING	1				
16	73A-14212-00	.SPRING	1				
17	7E1-14191-00	.PLUG, DRAIN	1				
18	7RH-14216-00	.SCREW	2				
19	1WG-14922-00	.SCREW, THROTTLE	1				
20	7VU-86240-00	.THROTTLE MOTOR ASSY	1				
21	7VU-14293-00	.COVER 1	1				



7VU3400-B070

FIG. 7 EXHAUST

REF. NO.	PART NO.	DESCRIPTION	7VU3				REMARKS
1	7VU-14711-00	MUFFLER 1	1				
2	7NJ-14799-01	CAP	1				
3	7NJ-14788-00	BAND, SILENCER	1				
4	7NJ-1479E-00	NET, WIRE 2	1				
5	90153-05024	SCREW, HEXAGON	1				
6	90201-171J5	WASHER, PLATE	1				
7	7VU-14718-00	PROTECTOR, MUFFLER 1	1				
8	7VU-14728-00	PROTECTOR, MUFFLER 2	1				
9	95827-06008	BOLT, FLANGE	3				
10	95827-06008	BOLT, FLANGE	2				
11	7VU-14781-00	STAY, MUFFLER 2	1				
12	95827-08012	BOLT, FLANGE	2				
13	95307-06600	NUT	2				
14	JA9-14613-00	GASKET, EXHAUST PIPE	1				
15	95827-06008	BOLT, FLANGE	2				

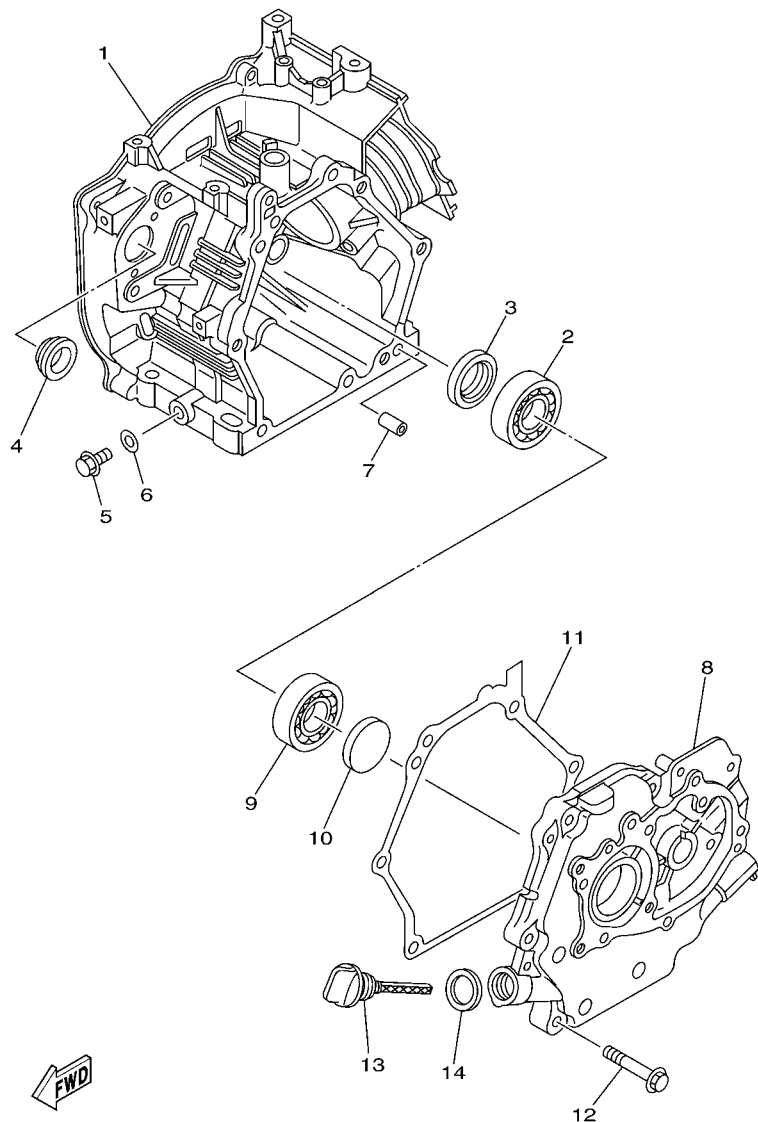
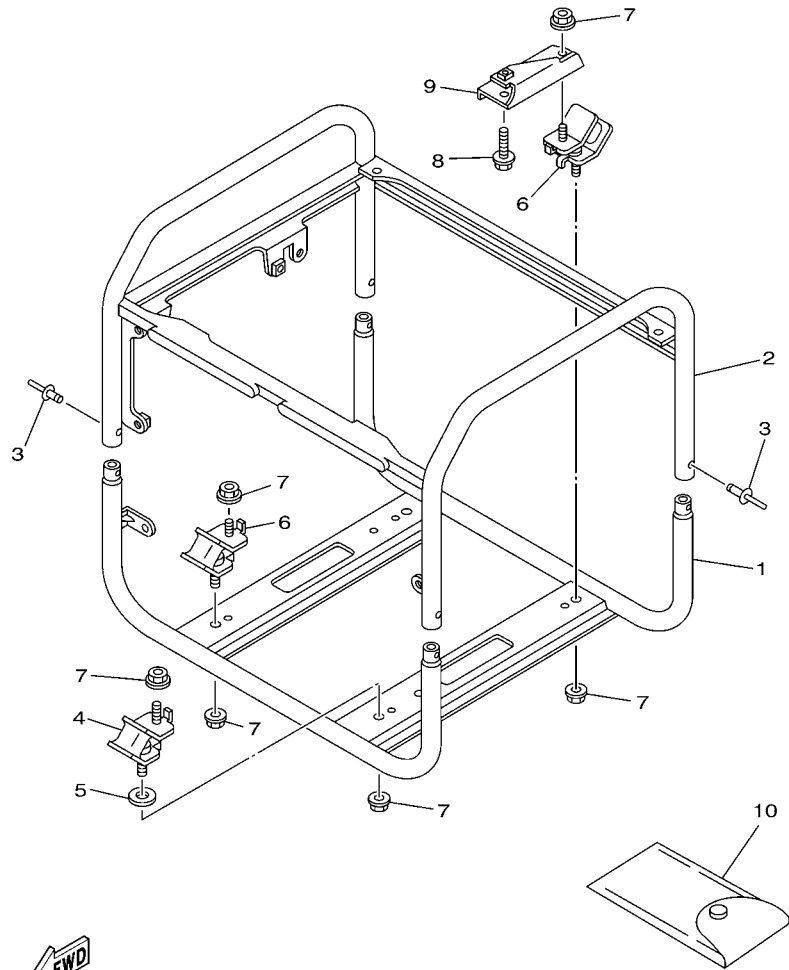


FIG. 8 CRANKCASE

REF. NO.	PART NO.	DESCRIPTION	7VU3				REMARKS
1	7VU-15111-01	CRANKCASE 1	1				
2	93306-20511	BEARING	1				
3	93102-25090	OIL SEAL	1				
4	90480-26602	GROMMET	1				
5	95027-10016	BOLT, FLANGE	1				
6	90430-10188	GASKET	1				
7	99530-08016	PIN, DOWEL	2				
8	7VU-15411-00	COVER, CRANKCASE 1	1				
9	93306-20511	BEARING	1				
10	90338-41106	PLUG	1				
11	7NJ-15451-00	GASKET, CRANKCASE COVER 1	1				
12	95827-08035	BOLT, FLANGE	6				
13	7NN-15362-00	PLUG, OIL LEVEL	1				
14	90430-17002	GASKET	1				



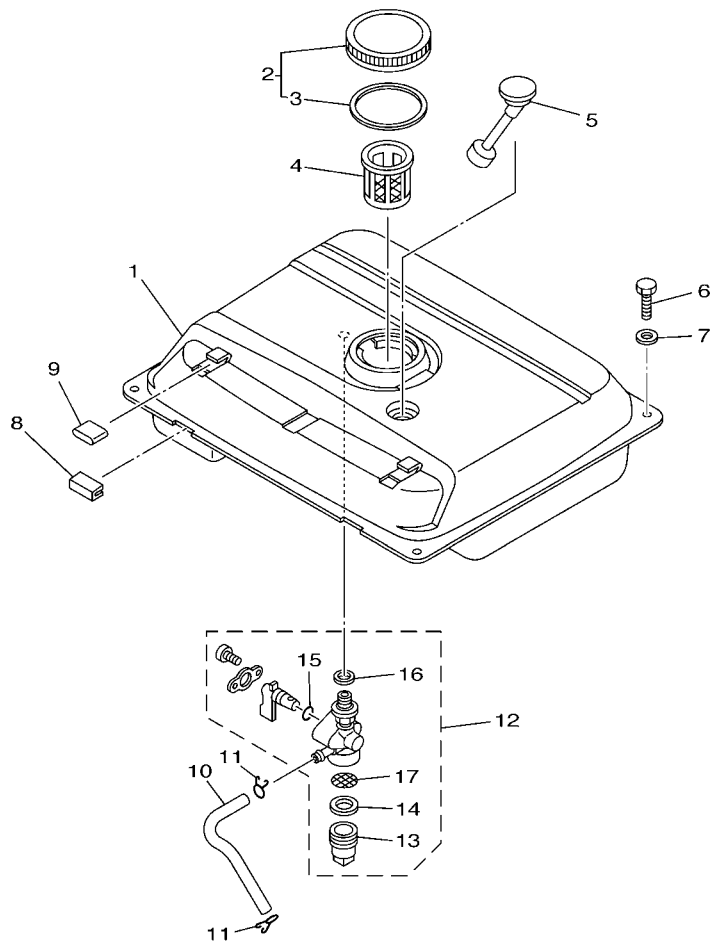
7VU3400-B090

FIG. 9 FRAME

REF. NO.	PART NO.	DESCRIPTION	7VU3				REMARKS
1	7VU-22840-00	FRAME COMP.	1				
2	7VU-22850-00	FRAME COMP. 2	1				
3	90267-48N00	RIVET, BLIND	4				
4	7VU-22891-00	INSULATOR, MOUNTING	1				
5	90201-086A3	WASHER, PLATE	1				
6	7VU-22894-00	INSULATOR, MOUNTING 2	3				
7	95707-08500	NUT, FLANGE	8				
8	95807-08030	BOLT, FLANGE	1				
9	7VU-11012-00	BRACKET, ENGINE 2	1				
10	7H6-28100-00	TOOL KIT	1				

B10

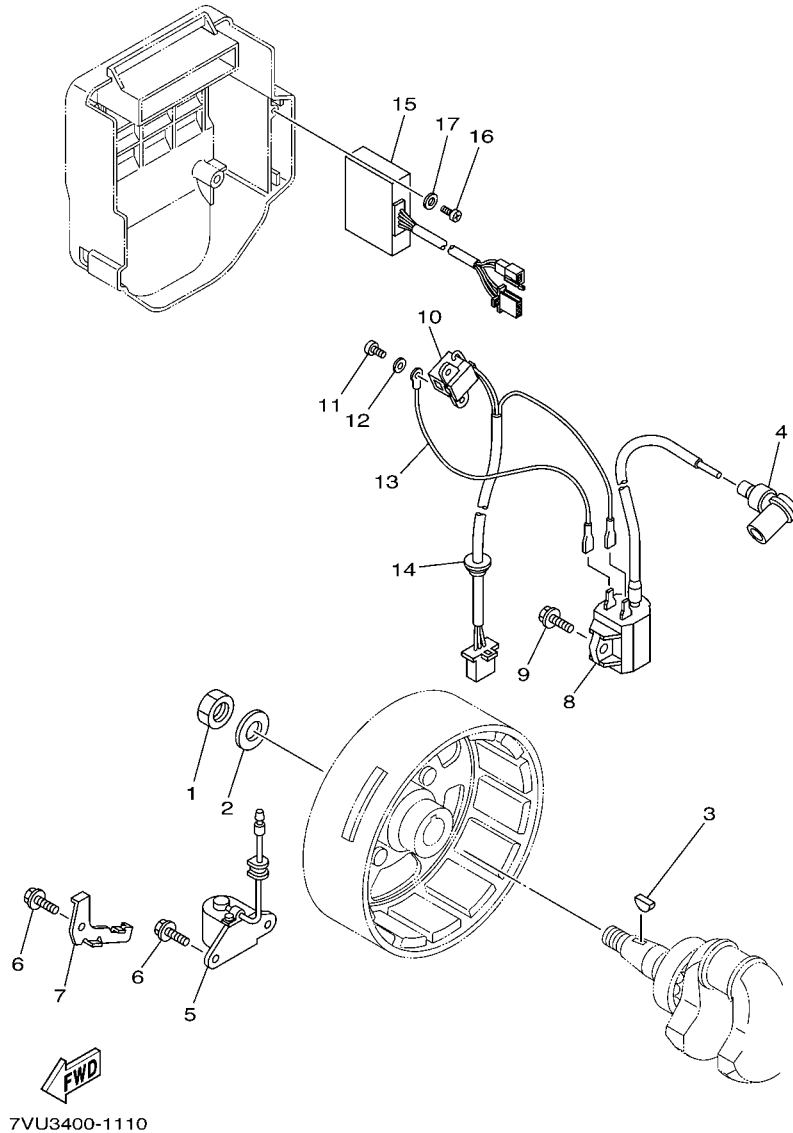
FIG. 10 FUEL TANK



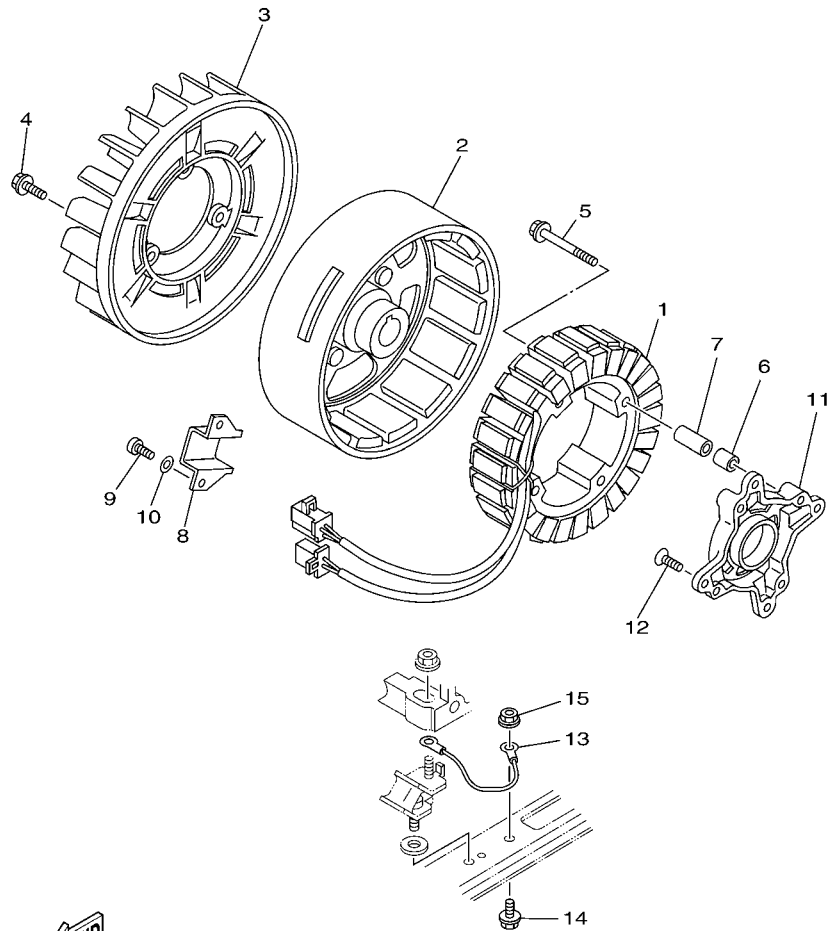
REF. NO.	PART NO.	DESCRIPTION	7VU3				REMARKS
1	7VU-24110-00-P0	FUEL TANK COMP.	1				PBS3
2	74T-24610-00	CAP ASSY	1				
3	796-24612-00	.GASKET, CAP	1				
4	630-24167-00	STRAINER	1				
5	7A9-85710-02	FUEL LEVEL GAUGE ASSY	1				
6	97007-06012	BOLT	2				
7	90201-06380	WASHER, PLATE	2				
8	7LG-24181-00	DAMPER, LOCATING 1	2				
9	2E9-24182-00	DAMPER, LOCATING 2	2				
10	7VU-24311-00	PIPE, FUEL 1	1				
11	90467-09006	CLIP	2				
12	7RA-24500-00	FUEL COCK ASSY 1	1				
13	7J3-24521-00	.CUP, FILTER	1				
14	4X8-24565-00	.GASKET	1				
15	7NJ-24534-00	.SEAL, COCK	1				
16	7NJ-24532-00	.GASKET	1				
17	7NJ-24515-01	.NET, FILTER 2	1				


 7VU2110-0100

FIG. 11 MAGNETO



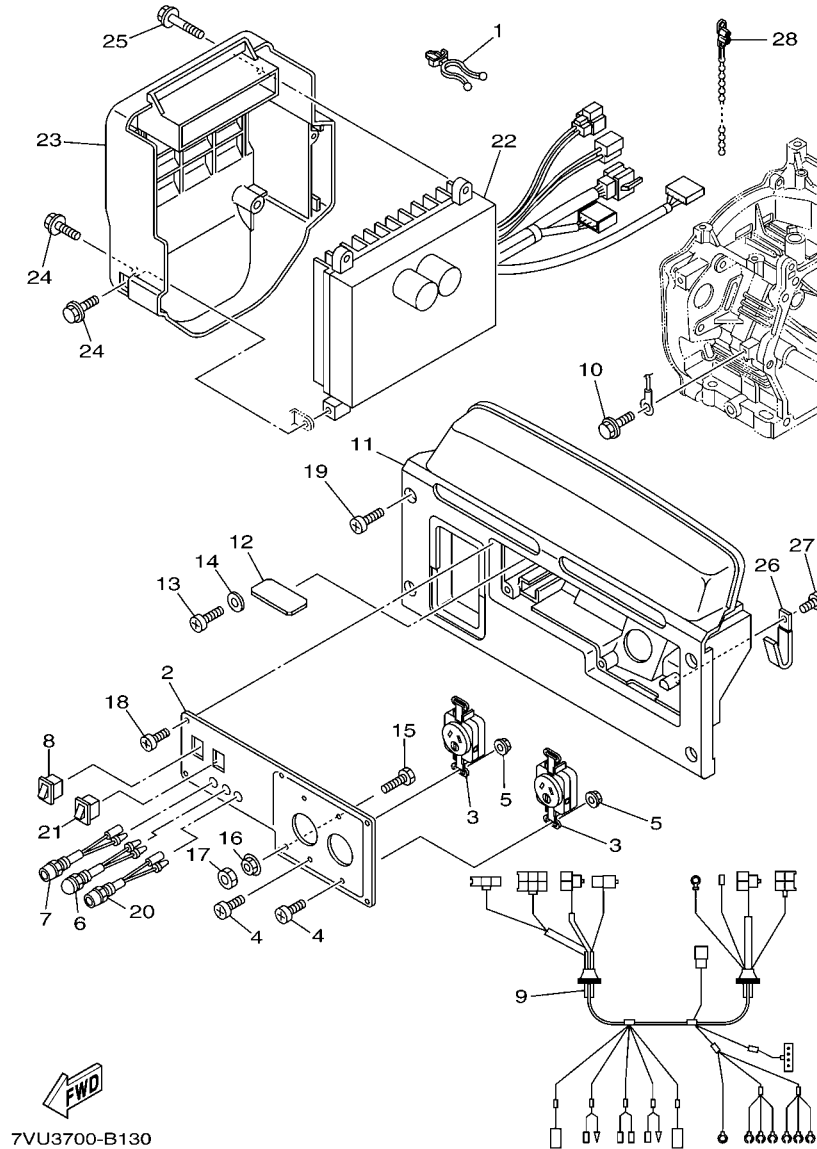
REF. NO.	PART NO.	DESCRIPTION	7VU3				REMARKS
1	90170-14403	NUT	1				
2	92907-14200	WASHER	1				
3	90280-04052	KEY, WOODRUFF	1				
4	7VU-82370-00	PLUG CAP ASSY	1				
5	7NJ-85720-02	OIL LEVEL GAUGE ASSY	1				
6	95827-06012	BOLT, FLANGE	3				
7	7NJ-85724-00	CLAMP	1				
8	7VU-82310-00	IGNITION COIL ASSY	1				
9	95807-06020	BOLT, FLANGE	1				
10	7VU-85595-00	COIL, PULSER	1				
11	98507-05010	SCREW, PAN HEAD	2				
12	92907-05600	WASHER, PLATE	2				
13	7VU-82318-00	WIRE, SUB-LEAD	1				
14	90480-12013	GROMMET	1				
15	7VU-85540-20	C.D.I. UNIT ASSY	1				
16	97707-50612	SCREW, TAPPING	1				
17	90201-05032	WASHER, PLATE	1				



7VU3400-B120

FIG. 12 GENERATOR

REF. NO.	PART NO.	DESCRIPTION	7VU3				REMARKS
1	7VU-87150-20	STATOR ASSY	1				
2	7VU-87160-00	ROTOR ASSY	1				
3	7VU-87172-00	FAN, GENERATOR	1				
4	95807-06016	BOLT, FLANGE	3				
5	95827-06045	BOLT, FLANGE	4				
6	99530-08012	PIN, DOWEL	2				
7	7VU-8719F-01	TUBE 7	2				
8	7VU-83595-00	CLAMP	1				
9	98507-05010	SCREW, PAN HEAD	2				
10	92907-05600	WASHER, PLATE	2				
11	7VU-87181-00	BRKT., GENERATOR MOUNT	1				
12	98707-06016	SCREW, FLAT HEAD	4				
13	7VU-87139-00	LEAD WIRE ASSY 2	1				
14	95880-06010	BOLT, FLANGE	1				
15	95780-06500	NUT, FLANGE	1				



7VU3700-B130

FIG. 13 CONTROL BOX

REF. NO.	PART NO.	DESCRIPTION	7VU3				REMARKS
1	90464-12M35	CLAMP	1				
2	7VU-87249-G0	PLATE	1				
3	73G-87221-90	RECEPTACLE 1 (CRIPSAL 415/15)	2				AUSTRALIA
4	98507-04012	SCREW, PAN HEAD	4				
5	95707-04500	NUT, FLANGE	4				
6	7NJ-83530-G0	PILOT LIGHT ASSY	1				
7	7NJ-85770-00	OIL PILOT LIGHT ASSY	1				
8	7NJ-82550-00	ENGINE STOP SWITCH ASSY	1				
9	7VU-87226-N0	WIRE HARNESS ASSY	1				
10	95807-06010	BOLT, FLANGE	1				
11	7VU-87213-00	COVER, CONTROL BOX	1				
12	7VU-85690-00	OIL WARNING UNIT	1				
13	97707-30512	SCREW, TAPPING	1				
14	90201-03013	WASHER, PLATE	1				
15	97080-05016	BOLT	1				
16	95707-05500	NUT, FLANGE	1				
17	95380-05700	NUT	1				
18	97707-40516	SCREW, TAPPING	6				
19	98907-06014	SCREW, BIND	4				
20	7VU-83582-00	PILOT LIGHT ASSY	1				
21	7NJ-82550-00	ENGINE STOP SWITCH ASSY	1				ECON.SW
22	7VU-8A210-20	CONTROL UNIT	1				
23	7VU-8721G-00	COVER, CONTROL BOX 2	1				
24	95827-06012	BOLT, FLANGE	3				
25	95827-06025	BOLT, FLANGE	2				
26	90462-05059	CLAMP	1				
27	97707-60512	SCREW, TAPPING	1				

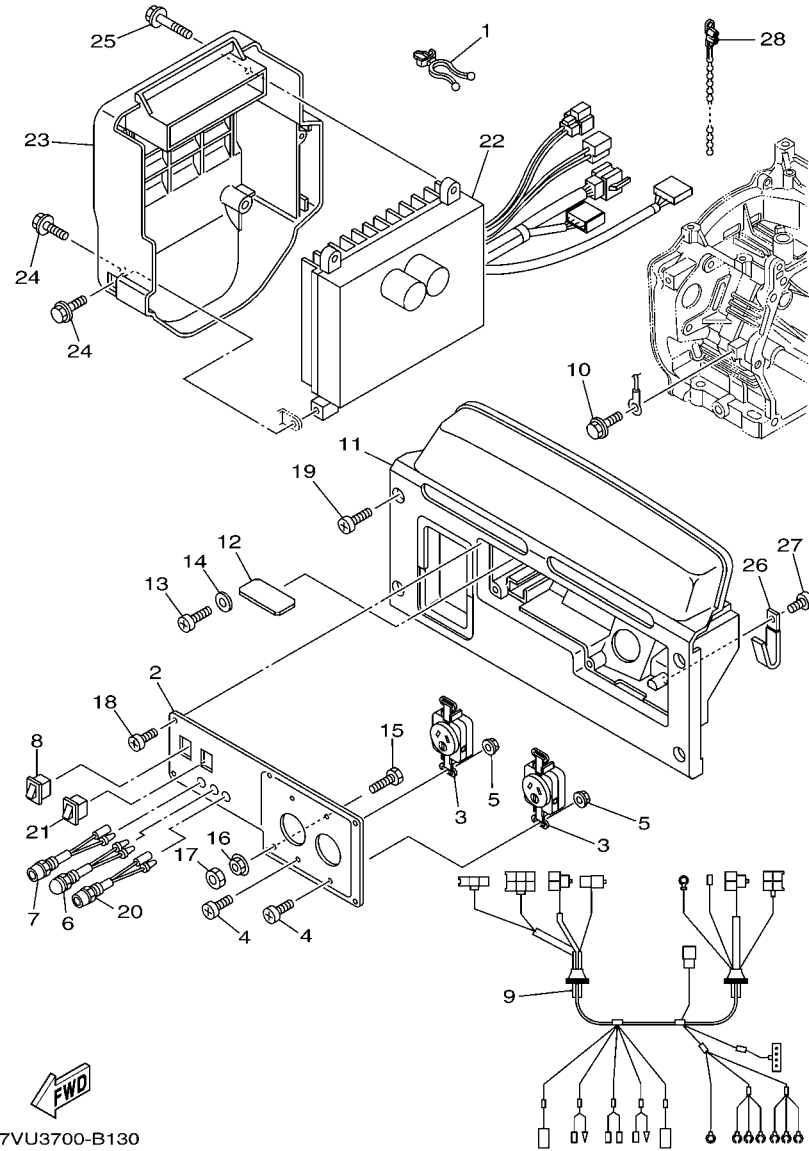
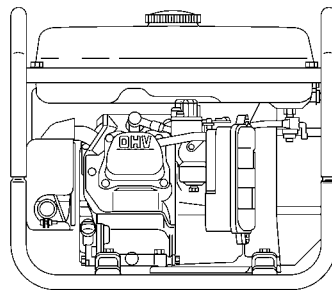
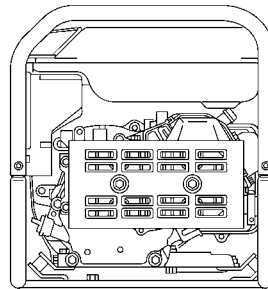
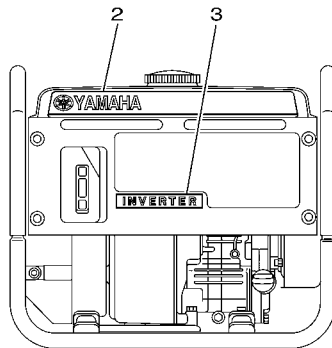
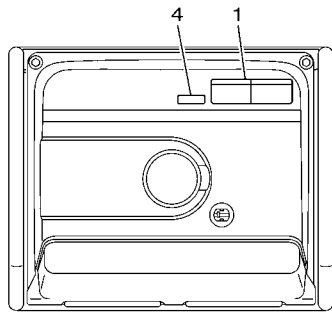


FIG. 13 CONTROL BOX

REF. NO.	PART NO.	DESCRIPTION	7VU3				REMARKS
28	90464-13073	CLAMP	1				



7VU3700-B140

FIG. 14 LABELS

REF. NO.	PART NO.	DESCRIPTION	7VU3				REMARKS
1	7TA-24162-10	EMBLEM 2 (WARNING)	1				
2	7VU-24161-10	EMBLEM 1 (YAMAHA)	1				
3	7VU-24164-00	EMBLEM 4 (INVERTER)	1				
4	7MJ-24237-00	MARK(C N432)	1				

NUMERICAL INDEX

PART NO.	GRID NO.	PART NO.	GRID NO.	PART NO.	GRID NO.	PART NO.	GRID NO.	PART NO.	GRID NO.	PART NO.	GRID NO.
7VU-11011-00	B - 5	7LG-14185-00	B - 7	7TA-24162-10	C - 2	90201-03013	B - 14	95827-06012	B - 14		
7VU-11012-00	B - 10	22F-14186-00	B - 7	7VU-24164-00	C - 2	90201-05032	B - 12	95827-06025	B - 14		
7WC-11111-00	B - 2	7E1-14191-00	B - 7	630-24167-00	B - 11	90201-06380	B - 11	95827-06045	B - 13		
7NJ-11160-00	B - 2	7LV-14211-00	B - 7	7LG-24181-00	B - 11	90201-086A3	B - 10	95827-08012	B - 8		
7NJ-11169-00	B - 2	73A-14212-00	B - 7	2E9-24182-00	B - 11	90201-171J5	B - 8	95827-08035	B - 9		
7WC-11181-00	B - 2	7RH-14216-00	B - 7	7MJ-24237-00	C - 2	90267-48N00	B - 10	95827-08045	B - 2		
7NJ-11191-00	B - 2	7G0-14227-00	B - 7	7VU-24311-00	B - 11	90280-04052	B - 12	95827-08065	B - 2		
7NJ-11193-00	B - 2	1HX-1423E-35	B - 7	7RA-24500-00	B - 11	90338-41106	B - 9	95880-06010	B - 13		
7VU-11400-01	B - 3	7VU-14293-00	B - 7	7NJ-24515-01	B - 11	90430-10188	B - 9	97007-06012	B - 11		
7WC-11604-00	B - 3	7NJ-14411-00	B - 6	7J3-24521-00	B - 11	90430-17002	B - 9	97080-05016	B - 14		
7WC-11605-00	B - 3	7NJ-14412-00	B - 6	7NJ-24532-00	B - 11	90445-131J5	B - 2	97707-30512	B - 14		
7WC-11610-00	B - 3	7NJ-14451-00	B - 6	7NJ-24534-00	B - 11	90462-05059	B - 14	97707-40516	B - 14		
7NJ-11631-00-98	B - 3	7NJ-14468-00	B - 6	4X8-24565-00	B - 11	90464-12M35	B - 14	97707-50612	B - 12		
4H7-11633-00	B - 3	7NB-14477-00	B - 6	74T-24610-00	B - 11	90464-13073	B - 15	97707-60512	B - 14		
7NJ-11635-00	B - 3	7RH-14486-00	B - 7	796-24612-00	B - 11	90467-09006	B - 11	98507-04012	B - 14		
7NJ-11636-00	B - 3	JA9-14613-00	B - 8	7VU-26331-00	B - 6	90480-12013	B - 12	98507-05010	B - 12		
7NJ-11650-00	B - 3	7VU-14711-00	B - 8	7H6-28100-00	B - 10	90480-26602	B - 9				
JA9-11654-01	B - 3	7VU-14718-00	B - 8	7VU-82310-00	B - 12	90501-205J4	B - 4	98707-06016	B - 13		
7NJ-12111-00	B - 4	7VU-14728-00	B - 8	7VU-82318-00	B - 12	92907-05600	B - 12	98907-06014	B - 14		
7NJ-12117-00	B - 4	7VU-14781-00	B - 8	7VU-82370-00	B - 12			99530-08012	B - 13		
7NJ-12118-00	B - 4	7NJ-14788-00	B - 8	7NJ-82550-00	B - 14	92907-14200	B - 12	99530-08016	B - 9		
51Y-12119-00	B - 4	7NJ-14799-01	B - 8	7NJ-83530-G0	B - 14	93102-25090	B - 9	99530-10114	B - 2		
7NJ-12121-00	B - 4	7NJ-1479E-00	B - 8	7VU-83582-00	B - 14	93306-20511	B - 9				
7NN-12151-00	B - 4	1WG-14922-00	B - 7	7VU-83595-00	B - 13	93450-17025	B - 3				
7WC-12153-00	B - 4	7NN-1495F-1B	B - 7	7VU-85540-20	B - 12	94702-00331	B - 2				
JA9-12153-10	B - 4	7VU-15111-01	B - 9	7VU-85595-00	B - 12	95027-10016	B - 9				
7NJ-12154-00	B - 4	7NN-15362-00	B - 9	7VU-85690-00	B - 14	95307-06600	B - 8				
7NJ-12155-01	B - 4	7VU-15411-00	B - 9	7A9-85710-02	B - 11	95380-05700	B - 14				
7FK-12157-00	B - 4	7NJ-15451-00	B - 9	7NJ-85720-02	B - 12	95607-06615	B - 2				
7FK-12158-00	B - 4	7VU-15710-00	B - 5	7NJ-85724-00	B - 12	95707-04500	B - 14				
7NN-12165-02	B - 4	7VU-15711-00	B - 5	7NJ-85770-00	B - 14	95707-05500	B - 14				
7NJ-12170-03	B - 4	7TA-15713-00	B - 5	7VU-86240-00	B - 7	95707-06500	B - 5				
7NJ-12287-00	B - 4	7VU-15714-00	B - 5	7VU-87139-00	B - 13						
7NJ-12299-01	B - 4	7TA-15715-00	B - 5	7VU-87150-20	B - 13	95707-08500	B - 5				
7VU-12616-00	B - 5	7VU-15716-00	B - 5	7VU-87160-00	B - 13						
7VU-12621-00	B - 5	7VU-15723-00	B - 5	7VU-87172-00	B - 13	95780-06500	B - 13				
7VU-12633-00	B - 5	7VU-15724-00	B - 5	7VU-87181-00	B - 13	95807-06008	B - 5				
7NJ-12651-00	B - 5	JL8-15741-00	B - 5	7VU-8719F-01	B - 13	95807-06010	B - 14				
7NJ-13557-00	B - 6	JK4-15743-00	B - 5	7VU-87213-00	B - 14	95807-06012	B - 5				
7NJ-13567-00	B - 6	7VU-15751-00	B - 5	7VU-8721G-00	B - 14	95807-06016	B - 5				
7NJ-13596-00	B - 6	7TA-15755-00	B - 5	73G-87221-90	B - 14						
7VU-14101-00	B - 7	7NJ-15793-00	B - 5	7VU-87226-N0	B - 14						
620-14142-37	B - 7	7VU-22840-00	B - 10	7VU-87249-G0	B - 14	95807-06020	B - 12				
7LG-14150-11	B - 7	7VU-22850-00	B - 10	7VU-8A210-20	B - 14	95807-08030	B - 5				
7EG-14159-00	B - 7	7VU-22891-00	B - 10	90116-06493	B - 2						
7NJ-14162-00	B - 7	7VU-22894-00	B - 10	90146-06014	B - 6	95827-06008	B - 8				
7EG-14181-00	B - 7	7VU-24110-00-P0	B - 11	90153-05024	B - 8	95827-06012	B - 2				
7G0-14184-00	B - 7	7VU-24161-10	C - 2	90170-14403	B - 12						