

PARTS CATALOGUE

EF2400iS (7CF3) AUSTRALIA



1D7CF-700E1

()

EF2400iS
PARTS CATALOGUE
©2005 by Yamaha Motor Co., Ltd.
1st edition, July 2005
All rights reserved.
Any reprinting or unauthorized use
without the written permission of
Yamaha Motor Co., Ltd.
is expressly prohibited.
Printed in Japan.

FOREWORD

This Parts Catalogue is related to the parts for the model(s) on the cover page. When you are ordering replacement parts, please refer to this Parts Catalogue and quote both part numbers and part names correctly.

1. Modifications or additions which have been made after the issue of the Parts Catalogue will be announced in the Parts News.

It is advisable that you make the necessary corrections to the Parts Catalogue according to the Parts News.

2. Abbreviations

The following abbreviations are used in this Parts Catalogue.

“UR” Use specified parts number.

“UN” Use as many as needed.

“AP” Alternate Parts

“LM” Locally Made (Parts need to be ordered locally)

“F#” Frame No. (Applicable machine No.)

“O/S” Over Size

3. The number of components for assembly

- Parts, which are to be supplied in an assembly, are listed with a dot (.) in front of the part name as shown below.
- The numeral appearing to the right of each component part indicates the quantity of parts for each assembly unit.

PART NO.	DESCRIPTION	Q'TY	REMARKS
2F5-83310-60	FRONT FLASHER LIGHT ASSY	2	
115-83311-60	.BULB (6V-18W)	1	

4. Applicable colours of graphics are represented in the “REMARKS” as shown below.

PART NO.	DESCRIPTION	Q'TY	REMARKS
2N4-24110-00-X5	FUEL TANK COMP.	2	MXR
3J1-24240-10	.GRAPHIC, FUEL TANK	1	FOR MXR

5. Note that the illustrations for reference in finding parts numbers are not to be used for assembling. When assembling, please use the applicable service manual.

6. The asterisk (*) before a reference number indicates modified items after the first edition.

CONTENTS

CYLINDER	1
CRANKSHAFT & PISTON	2
CAMSHAFT & VALVE	3
AIR SHROUD & STARTER	4
INTAKE	5
CARBURETOR	6
EXHAUST	8
CRANKCASE	9
FRAME	10
FRAME 2	11
FRAME 3	12
FUEL TANK	13
MAGNETO	14
GENERATOR	15
CONTROL BOX	16
LABELS	18

INDEX

NUMERICAL INDEX	19
-----------------------	----

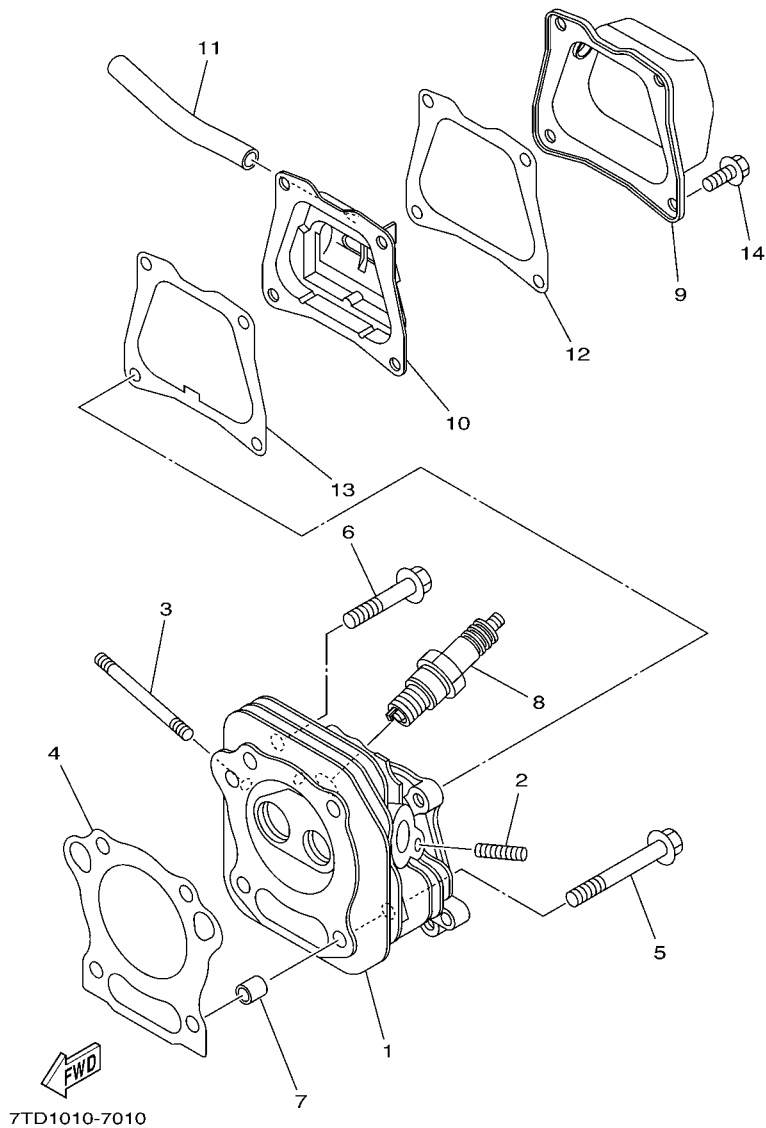
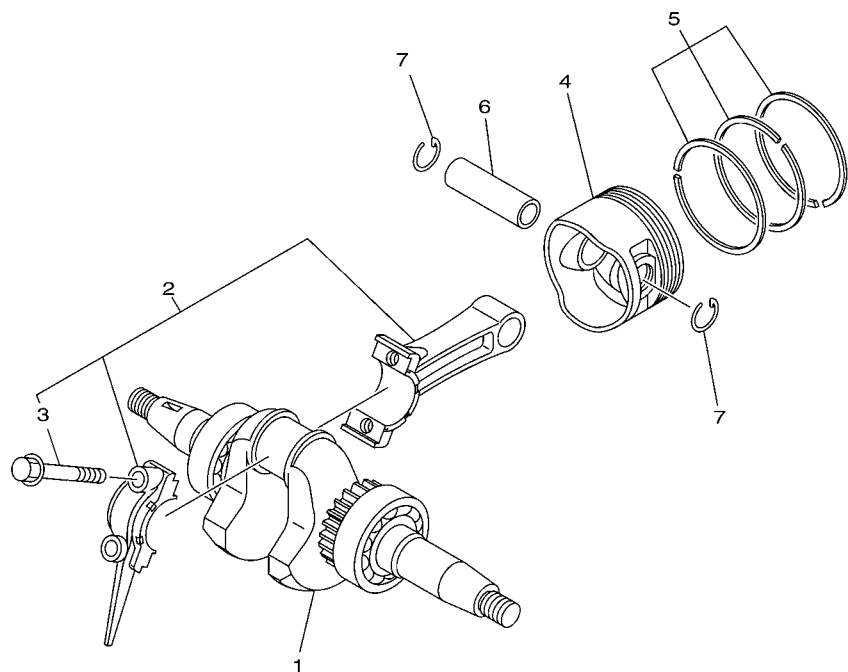


FIG. 1 CYLINDER

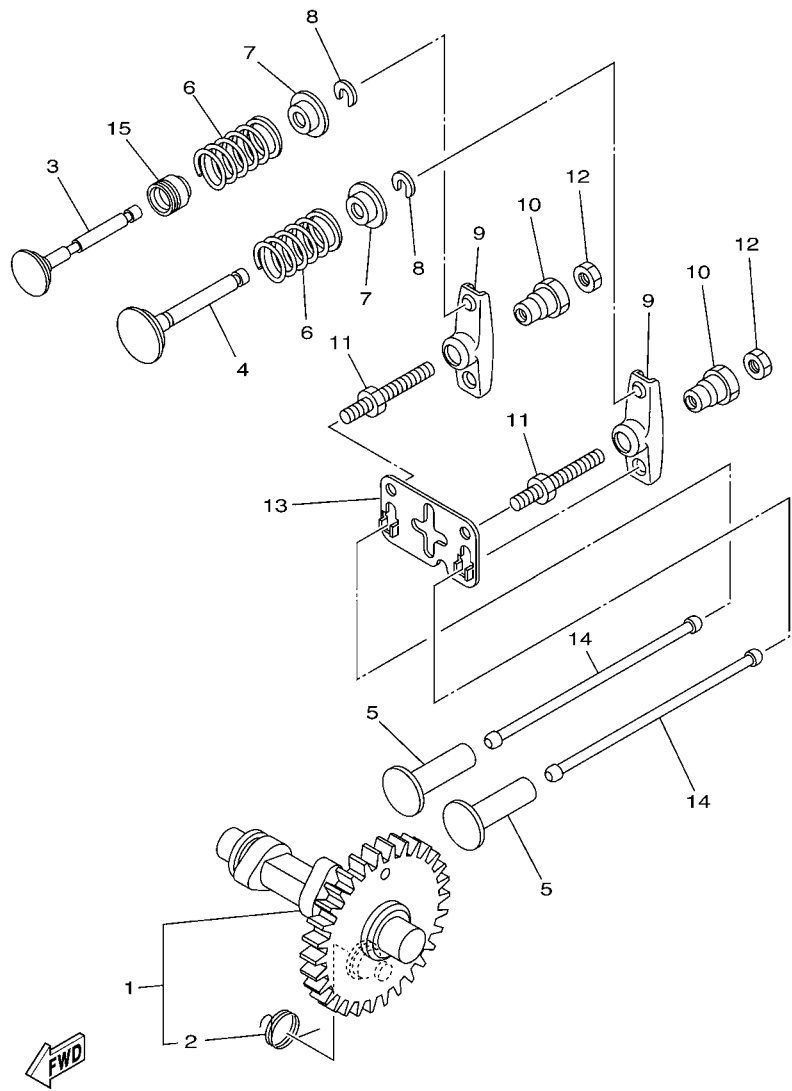
REF. NO.	PART NO.	DESCRIPTION	7CF3				REMARKS
1	7CN-E1111-00	HEAD, CYLINDER 1	1				
2	95607-06615	BOLT, STUD	2				
3	90116-06807	BOLT, STUD	2				
4	7CN-E1181-00	GASKET, CYLINDER HEAD 1	1				
5	95827-08065	BOLT, FLANGE	2				
6	95827-08045	BOLT, FLANGE	2				
7	99530-10114	PIN, DOWEL	2				
8	94702-00331	PLUG, SPARK (NGK BPR4ES)	1				
9	7CN-E1191-00	COVER, CYLINDER HEAD 1	1				
10	7CN-E1160-00	BREATHER ASSY	1				
11	90445-13800	HOSE	1				
12	7CN-E1169-00	GASKET, BREATHER COVER	1				
13	7CN-E1193-00	GASKET, HEAD COVER 1	1				
14	95827-06012	BOLT, FLANGE	4				

FIG. 2 CRANKSHAFT & PISTON



7WL1010-A020

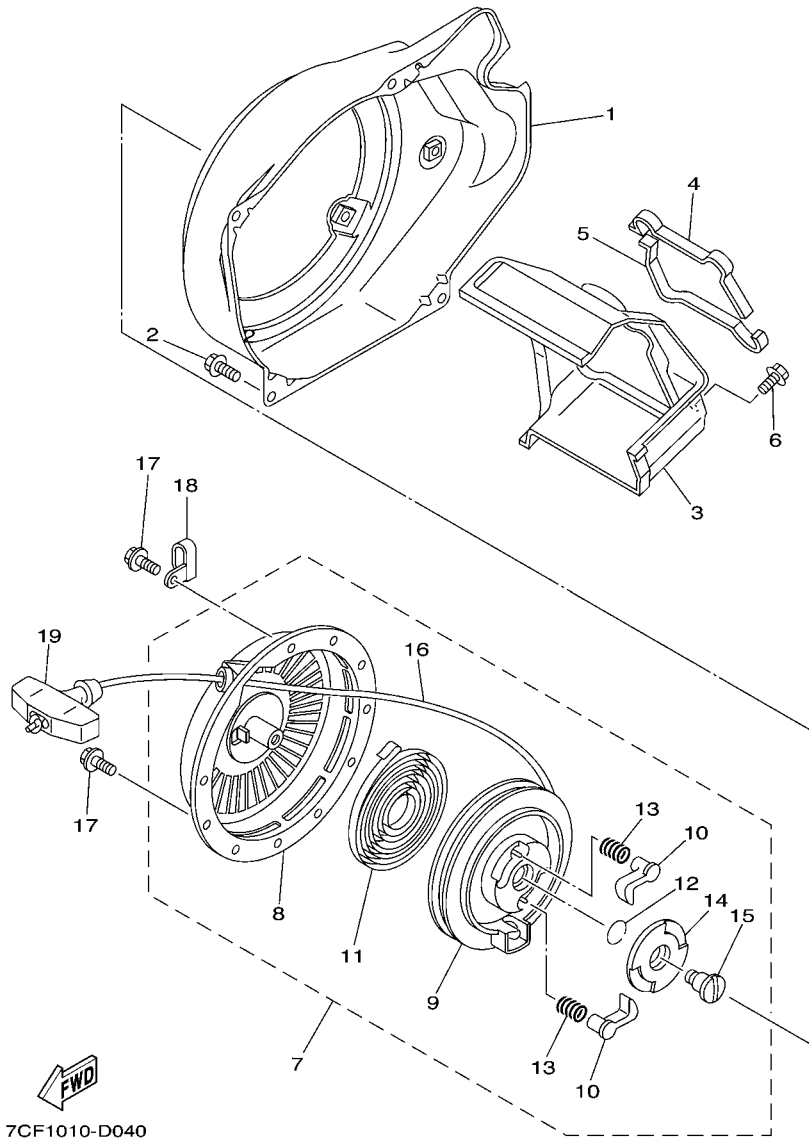
REF. NO.	PART NO.	DESCRIPTION	7CF3				REMARKS
1	7CN-E1400-A0	CRANKSHAFT ASSY	1				
2	7CN-E1650-00	CONNECTING ROD ASSY	1				
3	7CN-E1654-00	.BOLT, CONNECTING ROD	2				
4	7CN-E1631-00	PISTON (STD)	1				
	7CN-E1635-00	PISTON (0.25MM O/S)	1				AP
	7CN-E1636-00	PISTON (0.50MM O/S)	1				AP
5	7CN-E1610-00	PISTON RING SET (STD)	1				
	7CN-E1610-10	PISTON RING SET (0.25MM O/S)	1				AP
	7CN-E1610-20	PISTON RING SET (0.50MM O/S)	1				AP
6	7CN-E1633-00	PIN, PISTON	1				
7	93450-17828	CIRCLIP	2				



7WC1110-1070

FIG. 3 CAMSHAFT & VALVE

REF. NO.	PART NO.	DESCRIPTION	7CF3				REMARKS
1	7CN-E2170-00	CAMSHAFT ASSY 1	1				
2	7CN-E2287-00	.SPRING, DECOMPRESSION	1				
3	7CN-E2111-00	VALVE, INTAKE	1				
4	7CN-E2121-00	VALVE, EXHAUST	1				
5	7CN-E2153-00	LIFTER, VALVE	2				
6	90501-20800	SPRING, COMPRESSION	2				
7	7CN-E2117-00	RETAINER, VALVE SPRING	2				
8	7CN-E2118-00	COTTER, VALVE	2				
9	7CN-E2151-00	ARM, VALVE ROCKER	2				
10	7CN-E2165-00	PIVOT, ROCKER ARM	2				
11	7CN-E2157-00	NUT, LOCK	2				
12	7CN-E2158-00	NUT, LOCK	2				
13	7CN-E2155-00	GUIDE, PUSH ROD	1				
14	7CN-E2154-00	ROD, VALVE PUSH	2				
15	7CN-E2119-00	SEAL, VALVE STEM	1				

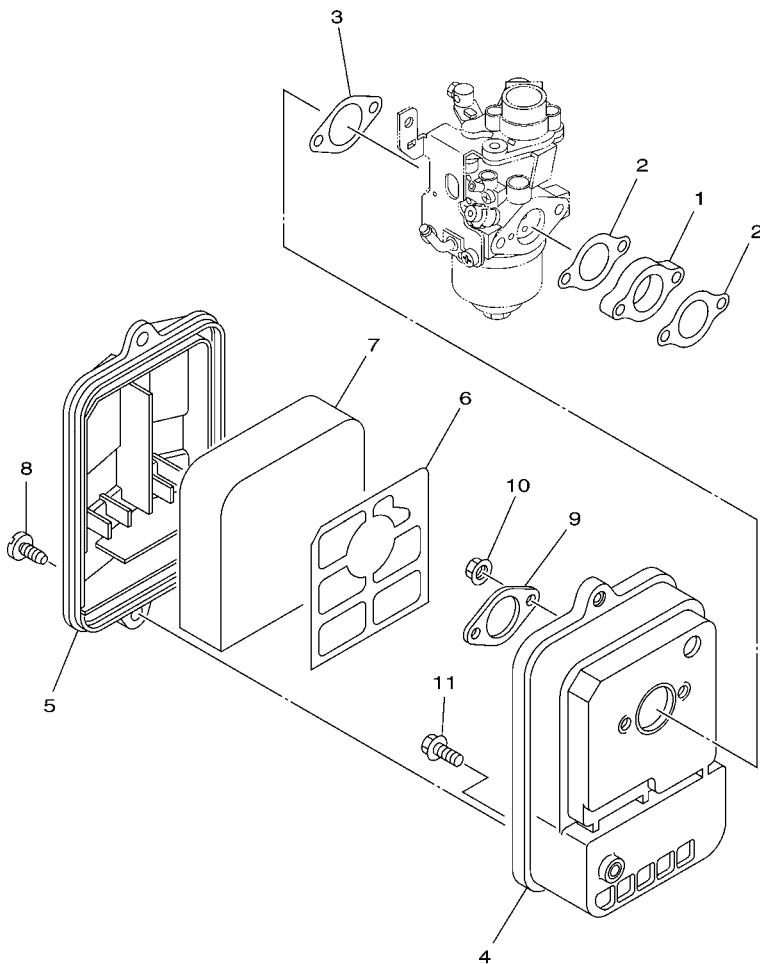


7CF1010-D040

FIG. 4 AIR SHROUD & STARTER

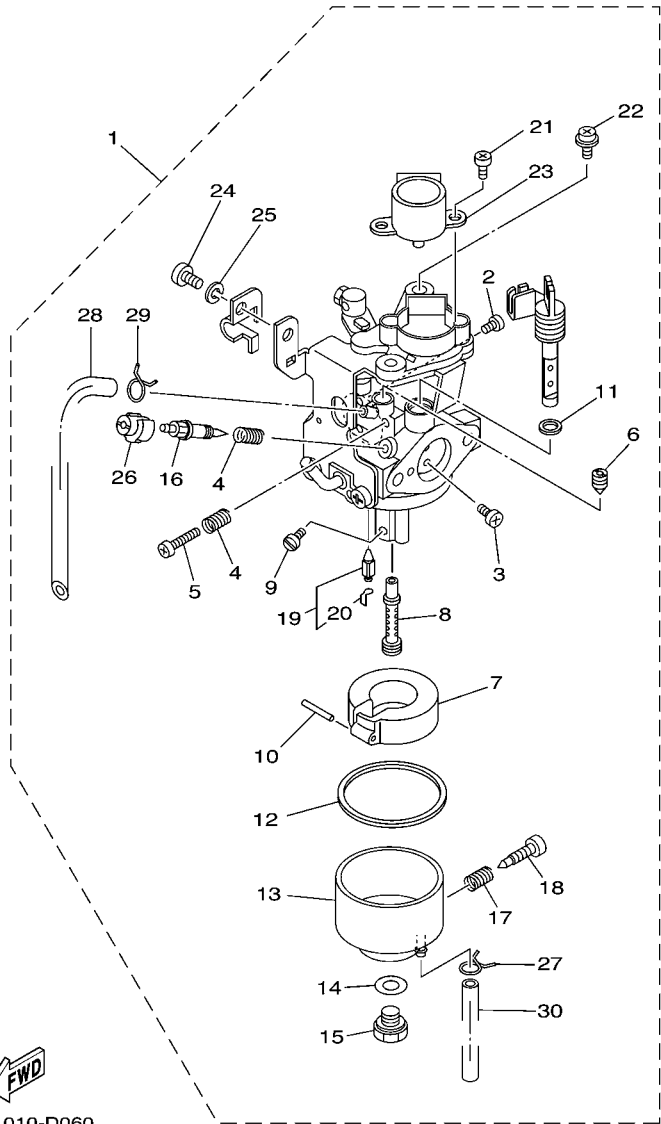
REF. NO.	PART NO.	DESCRIPTION	7CF3				REMARKS
1	7CN-E2610-20	FAN CASE ASSY	1				
2	95807-06012	BOLT, FLANGE	4				
3	7CN-E2651-00	AIR SHROUD, CYLINDER 1	1				
4	7CP-E2658-00	DAMPER, AIR SHROUD 1	1				
5	7CP-E2659-00	DAMPER, AIR SHROUD 2	1				
6	95807-06012	BOLT, FLANGE	1				
7	7CP-E5710-00	STARTER ASSY	1				
8	7CP-15711-00	.CASE, STARTER	1				
9	7CN-15714-00	.DRUM, SHEAVE	1				
10	7CN-15741-00	.PAWL, DRIVE	2				
11	7CN-15713-00	.SPRING, STARTER	1				
12	7CN-15715-00	.SPRING, FRICTION	1				
13	7CN-15743-00	.SPRING, RETURN	2				
14	7CN-15716-00	.PLATE, DRIVE	1				
15	7CN-15793-00	.SCREW	1				
16	7CP-15751-00	.WIRE, STARTER	1				
17	95807-06016	BOLT, FLANGE	3				
18	7CN-F627E-00	CLAMP,WIRE	1				
19	7TD-15755-00	HANDLE, STARTER	1				

FIG. 5 INTAKE



 7CF1010-D050

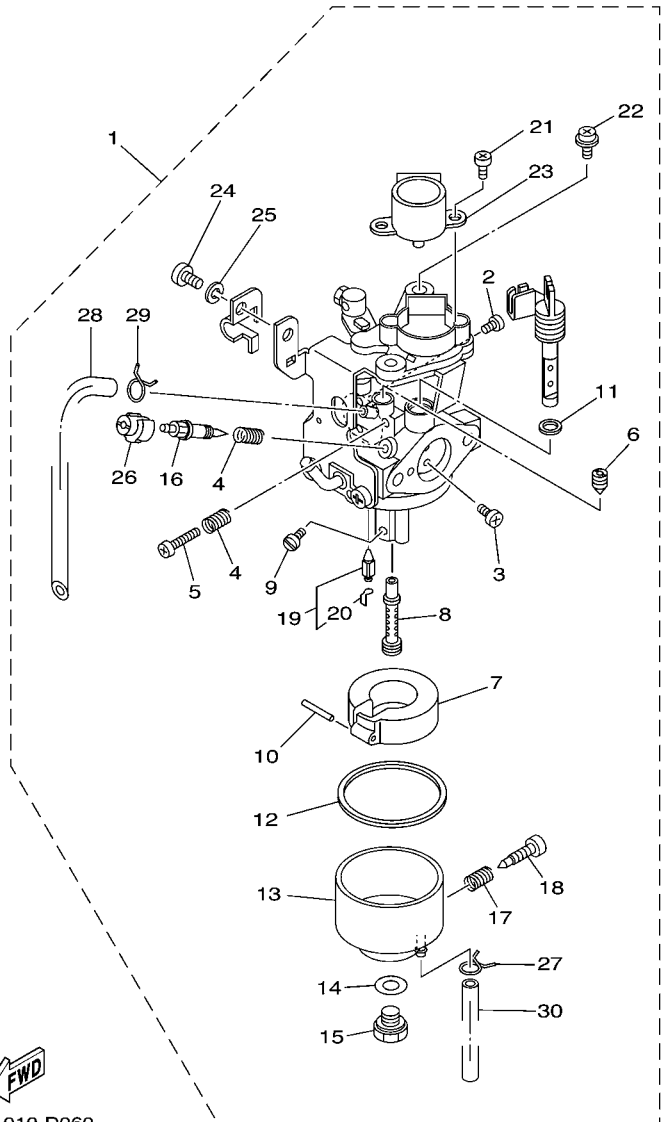
REF. NO.	PART NO.	DESCRIPTION	7CF3				REMARKS
1	7CN-E3596-00	JOINT, CARBURETOR 2	1				
2	7CN-E3557-00	GASKET	2				
3	7CN-E3567-00	GASKET	1				
4	7CN-E4411-00	CASE, AIR CLEANER 1	1				
5	7CN-E4412-00	CAP, CLEANER CASE 1	1				
6	7CN-E4468-01	PLATE,ELEMENT FITTING	1				
7	7CN-E4451-00	ELEMENT, AIR CLEANER	1				
8	90154-06823	SCREW, BINDING	2				
9	7CN-E4477-00	PLATE	1				
10	95707-06500	NUT, FLANGE	2				
11	95807-06016	BOLT, FLANGE	1				



7CF1010-D060

FIG. 6 CARBURETOR

REF. NO.	PART NO.	DESCRIPTION	7CF3				REMARKS
1	7CF-E4101-00	CARBURETOR ASSY 1	1				
2	7RH-14216-00	.SCREW	2				
3	7RH-14486-00	.SCREW, ROD	2				
4	73A-14212-00	.SPRING	2				
5	1WG-14922-00	.SCREW, THROTTLE	1				
6	620-14142-35-A0	.JET, PILOT (#35)	1				
7	7LG-14185-00	.FLOAT	1				
8	7NN-1495F-1B	.NOZZLE, MAIN	1				
9	1HX-1423E-34-A0	.JET, MAIN(#86.3)	1				
10	22F-14186-00	.PIN, FLOAT	1				
11	7X9-14239-00	.SEAL	1				
12	7G0-14184-00	.GASKET, FLOAT CHAMBER	1				
13	7TD-14181-00	.BODY, FLOAT CHAMBER 1	1				
14	7G0-14227-00	.WASHER	1				
15	7TD-14162-00	.BOLT, HOLDING	1				
16	7NJ-14211-00	.SCREW, PILOT ADJUSTING	1				
17	73A-14212-00	.SPRING	1				
18	7E1-14191-00	.PLUG, DRAIN	1				
19	7LG-14150-11	.NEEDLE ASSY	1				
20	7EG-14159-00	..CLIP	1				
21	98502-03006	.SCREW, PAN HEAD	2				
22	4SV-24453-00	.SCREW	2				
23	7CP-H6240-00	.THROTTLE MOTOR ASSY	1				
24	98507-05008	.SCREW, PAN HEAD	3				
25	92990-05100	.WASHER, SPRING	3				
26	7LV-14118-00	.CAP	1				
27	22F-14139-00	.CLIP, PIPE	1				

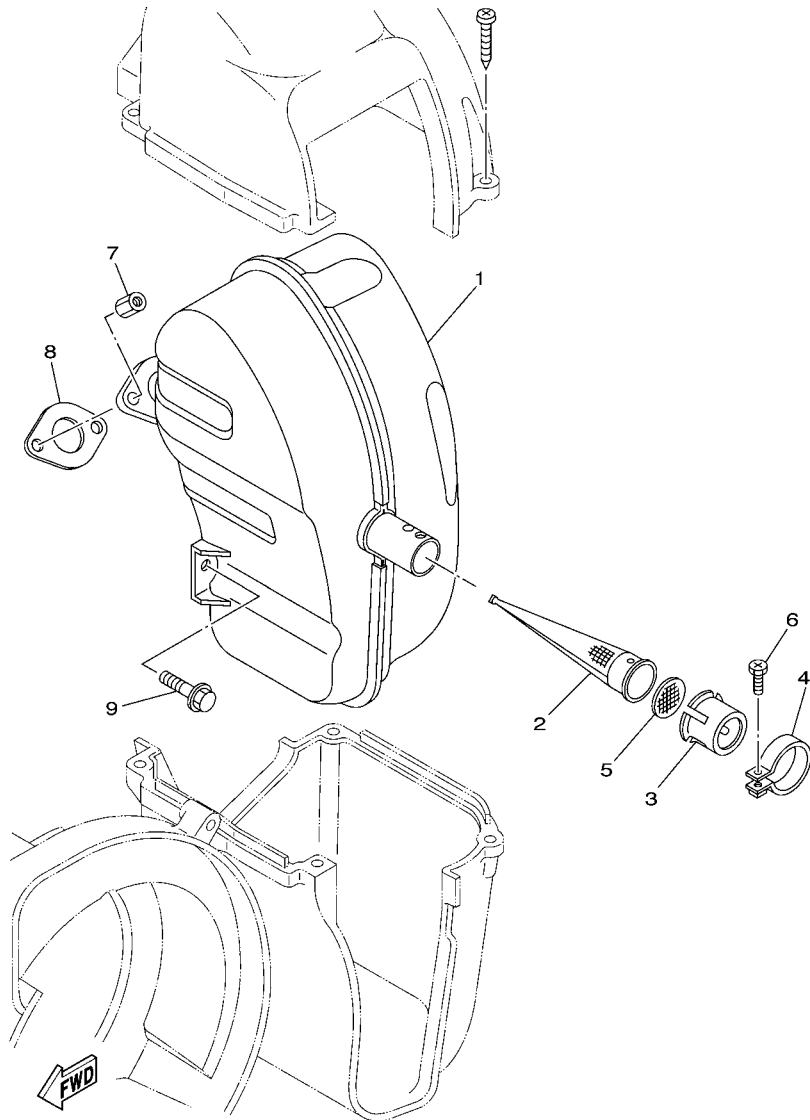


7CF1010-D060

FIG. 6 CARBURETOR

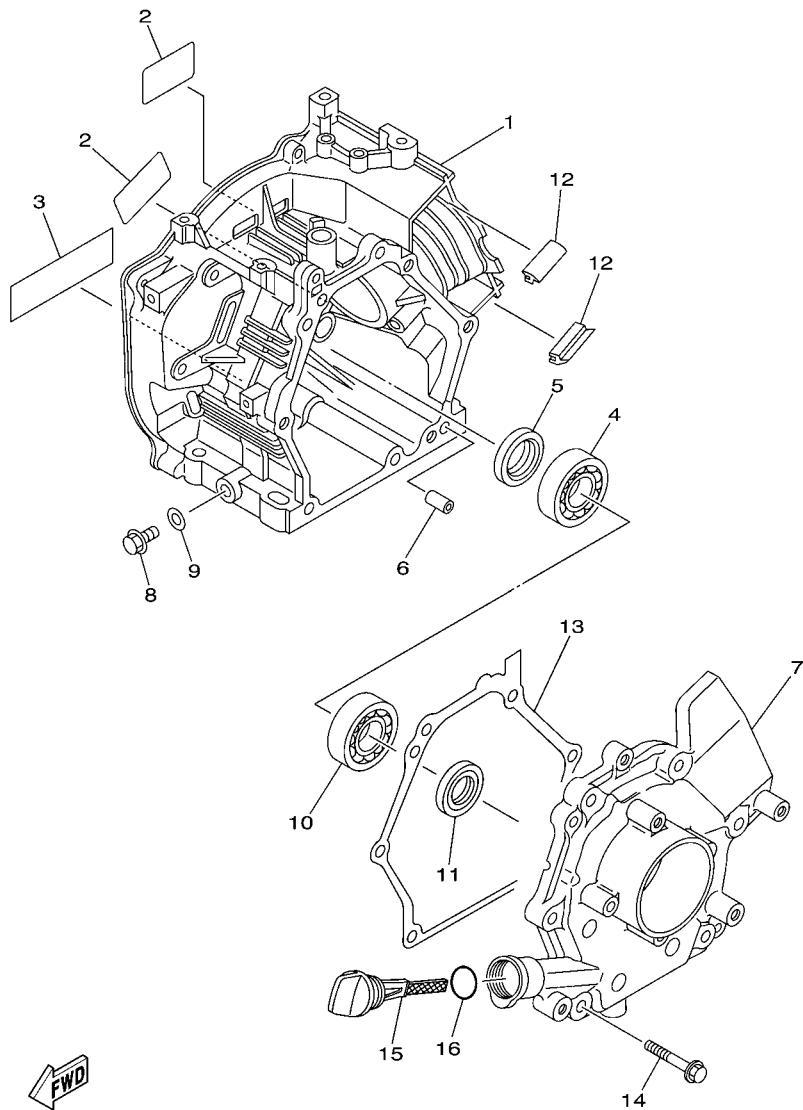
REF. NO.	PART NO.	DESCRIPTION	7CF3				REMARKS
28	7WL-14197-00	.PIPE	1				
29	14X-14937-00	.CLIP	1				
30	1V3-14196-00	.PIPE	1				

FIG. 7 EXHAUST



7CF1010-D070

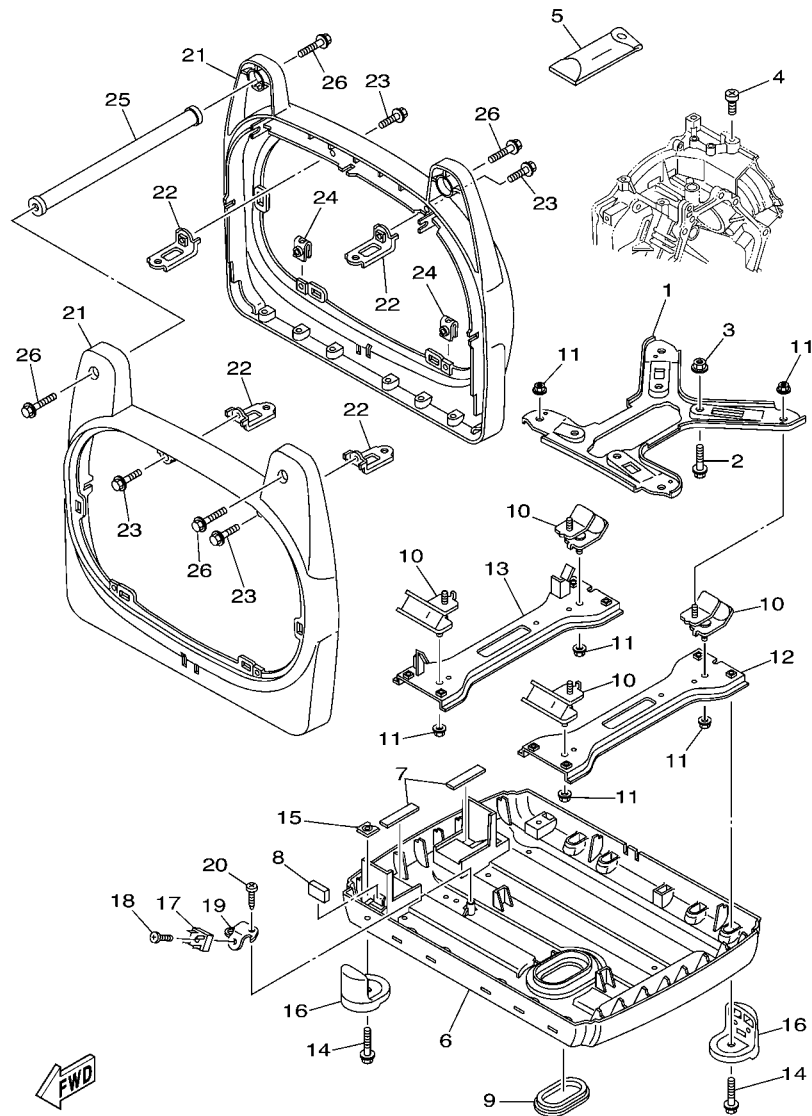
REF. NO.	PART NO.	DESCRIPTION	7CF3				REMARKS
1	7CF-14711-00	MUFFLER 1	1				
2	7LL-14786-00	ARRESTER, SPARK	1				
3	7NJ-14799-01	CAP	1				
4	7NJ-14788-00	BAND, SILENCER	1				
5	7NJ-1479E-00	NET, WIRE 2	1				
6	90153-05024	SCREW, HEXAGON	1				
7	90170-06424	NUT	2				
8	JA9-14613-00	GASKET, EXHAUST PIPE	1				
9	95822-06012	BOLT, FLANGE	1				



7CF3300-D080

FIG. 8 CRANKCASE

REF. NO.	PART NO.	DESCRIPTION	7CF3				REMARKS
1	7CN-E5111-60	CRANKCASE 1	1				
2	7CP-E5315-00	SEAL, CRANKCASE	2				
3	7CN-E5472-00	SEAL, AIR DUCT	1				
4	93306-205XE	BEARING	1				
5	93102-25803	OIL SEAL	1				
6	99530-08016	PIN, DOWEL	2				
7	7CN-E5411-80	COVER, CRANKCASE 1	1				
8	95027-10016	BOLT, FLANGE	1				
9	90430-10801	GASKET	1				
10	93306-205XE	BEARING	1				
11	93102-25803	OIL SEAL	1				
12	7CP-E5494-00	SEAL, PROTECTOR	2				
13	7CN-E5451-00	GASKET, CRANKCASE COVER 1	1				
14	95827-08035	BOLT, FLANGE	6				
15	7CN-E5362-20	PLUG, OIL LEVEL	1				
16	93210-22805	O-RING	1				



7CF1010-D090

FIG. 9 FRAME

REF. NO.	PART NO.	DESCRIPTION	7CF3				REMARKS
1	7CF-21411-00	BRACKET, ENGINE 1	1				
2	95802-08030	BOLT, FLANGE	4				
3	95702-08500	NUT, FLANGE	4				
4	98502-08012	SCREW, PAN HEAD	1				
5	7TA-28100-00	TOOL KIT	1				
6	7CF-22881-00	BASE, MOUNTING	1				
7	7CF-2283L-00	GUIDE 1	2				
8	7CF-22869-00	MOLE	1				
9	7WL-22857-00	COVER 4	1				
10	7VU-22894-00	INSULATOR, MOUNTING 2	4				
11	95702-08500	NUT, FLANGE	8				
12	7CF-11011-00	BRACKET, ENGINE 1	1				
13	7CF-11012-00	BRACKET, ENGINE 2	1				
14	95802-06030	BOLT, FLANGE	10				
15	90183-060A3	NUT, SPRING	2				
16	7CF-22895-00	INSULATOR, MOUNTING	4				
17	7VU-87105-00	RECTIFIER ASSY 1	1				
18	98502-05014	SCREW, PAN HEAD	1				
19	7CF-8711E-00	STAY, RECTIFIER	1				
20	97702-50014	SCREW, TAPPING	1				
21	7CF-22811-00	FRAME 1	2				
22	7CF-24191-01	BRACKET, FUEL TANK 1	4				
23	95802-06012	BOLT, FLANGE	4				
24	90183-05076	NUT, SPRING	6				
25	7CF-22837-00	GRIP	2				
26	95022-08016	BOLT, FLANGE	4				

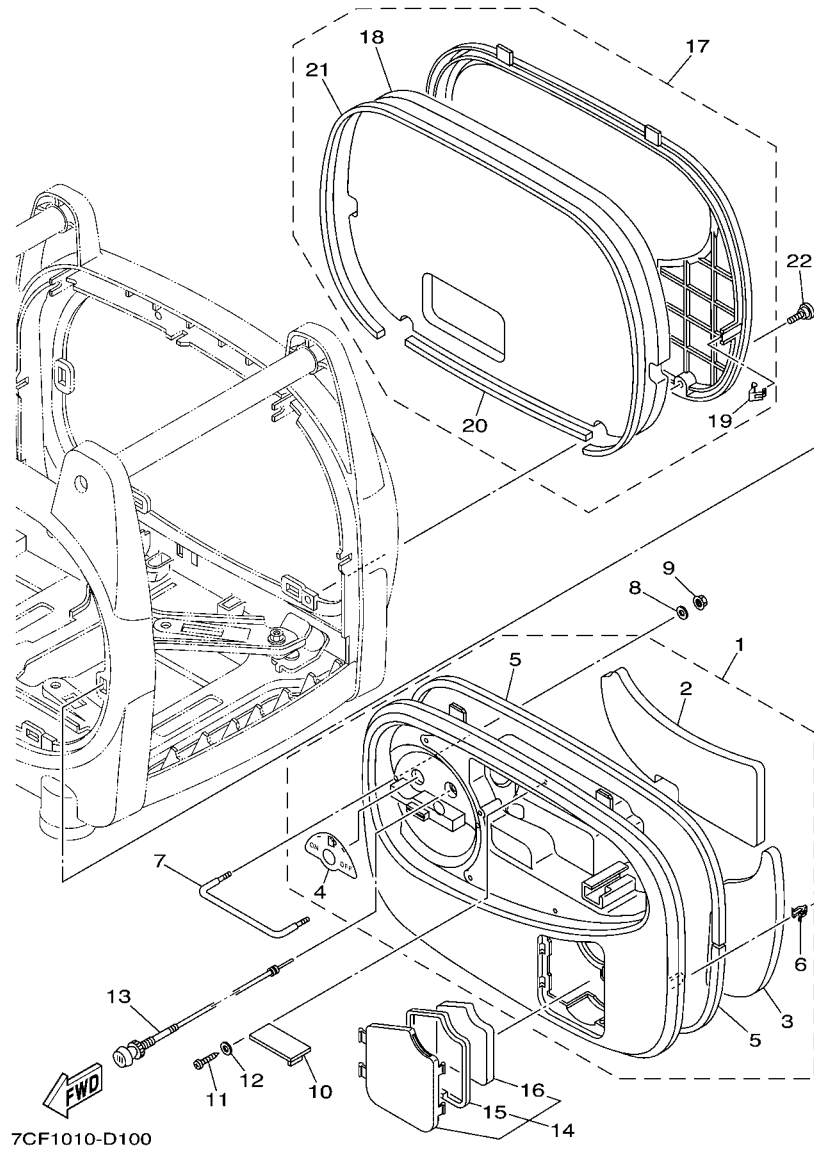
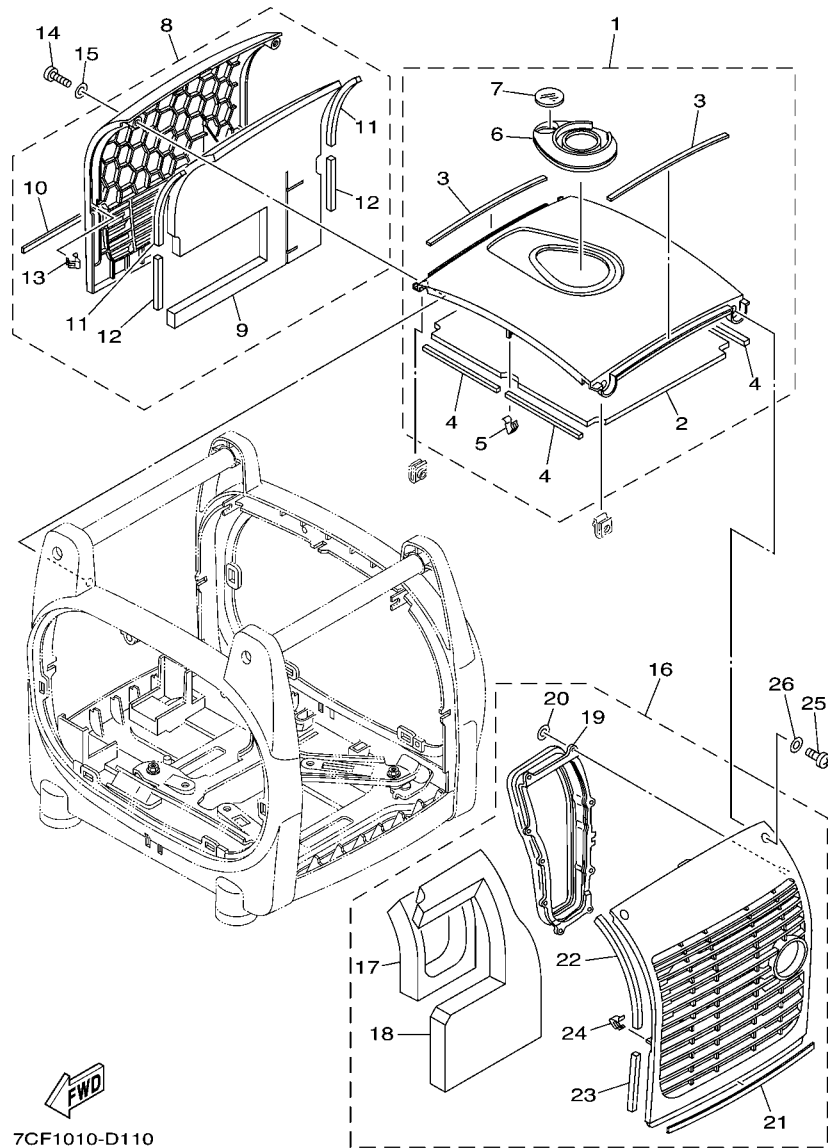


FIG. 10 FRAME 2

REF. NO.	PART NO.	DESCRIPTION	7CF3				REMARKS
1	7CF-228A0-00	COVER ASSY 1	1				
2	7CF-22873-00	.SEAL 1	1				
3	7CF-22899-00	.SEAL 15	1				
4	7CF-24151-00	.INDICATOR, FUEL	1				
5	7CF-23383-00	.COVER, DUST SEAL 1	2				
6	90468-04001	.CLIP	4				
7	7CF-22825-00	PROTECTOR 1	1				
8	92902-04200	WASHER, PLAIN	2				
9	95702-04500	NUT, FLANGE	2				
10	7CF-85680-00	SPEED LIMITER ASSY	1				
11	97702-30512	SCREW, TAPPING	1				
12	90201-03013	WASHER, PLATE	1				
13	7CF-26331-00	CABLE, STARTER 1	1				
14	7CF-228F0-00	COVER ASSY 6	1				
15	7CF-22897-00	.SEAL 14	1				
16	7CF-2281A-00	.SEAL, RUBBER 1	1				
17	7CF-228B0-00	COVER ASSY 2	1				
18	7CF-22874-00	.SEAL 2	1				
19	90468-04001	.CLIP	2				
20	7CF-2281E-00	.SEAL, RUBBER 2	1				
21	7CF-2281F-00	.SEAL, RUBBER 3	1				
22	7CF-23119-00	PLUG, DRAIN	2				



7CF1010-D110

FIG. 11 FRAME 3

REF. NO.	PART NO.	DESCRIPTION	7CF3				REMARKS
1	7CF-228C0-00	COVER ASSY 3	1				
2	7CF-22875-00	.SEAL 3	1				
3	7CF-22876-00	.SEAL 4	2				
4	7CF-23384-00	.COVER, DUST SEAL 2	4				
5	90468-04001	.CLIP	2				
6	7CF-2414G-00	.SEAL	1				
7	7WL-21764-00	.LENS, LEVEL GAUGE	1				
8	7CF-228D0-00	COVER ASSY 4	1				
9	7CF-22877-00	.SEAL 5	1				
10	7CF-2281G-00	.SEAL, RUBBER 4	1				
11	7CF-2338G-00	.COVER, SEAL 3	2				
12	7CF-2338H-00	.COVER, SEAL 4	2				
13	90468-04001	.CLIP	2				
14	98502-05016	SCREW, PAN HEAD	2				
15	92902-05600	WASHER, PLATE	2				
16	7CF-228E0-00	COVER ASSY 5	1				
17	7CF-22878-00	.SEAL 6	1				
18	7CF-22879-00	.SEAL 7	1				
19	7CF-2286A-00	.DUCT 1	1				
20	90183-05004	.NUT, SPRING	7				
21	7CF-2281G-00	.SEAL, RUBBER 4	1				
22	7CF-2338G-00	.COVER, SEAL 3	2				
23	7CF-2338H-00	.COVER, SEAL 4	2				
24	90468-04001	.CLIP	2				
25	98502-05016	SCREW, PAN HEAD	2				
26	92902-05600	WASHER, PLATE	2				

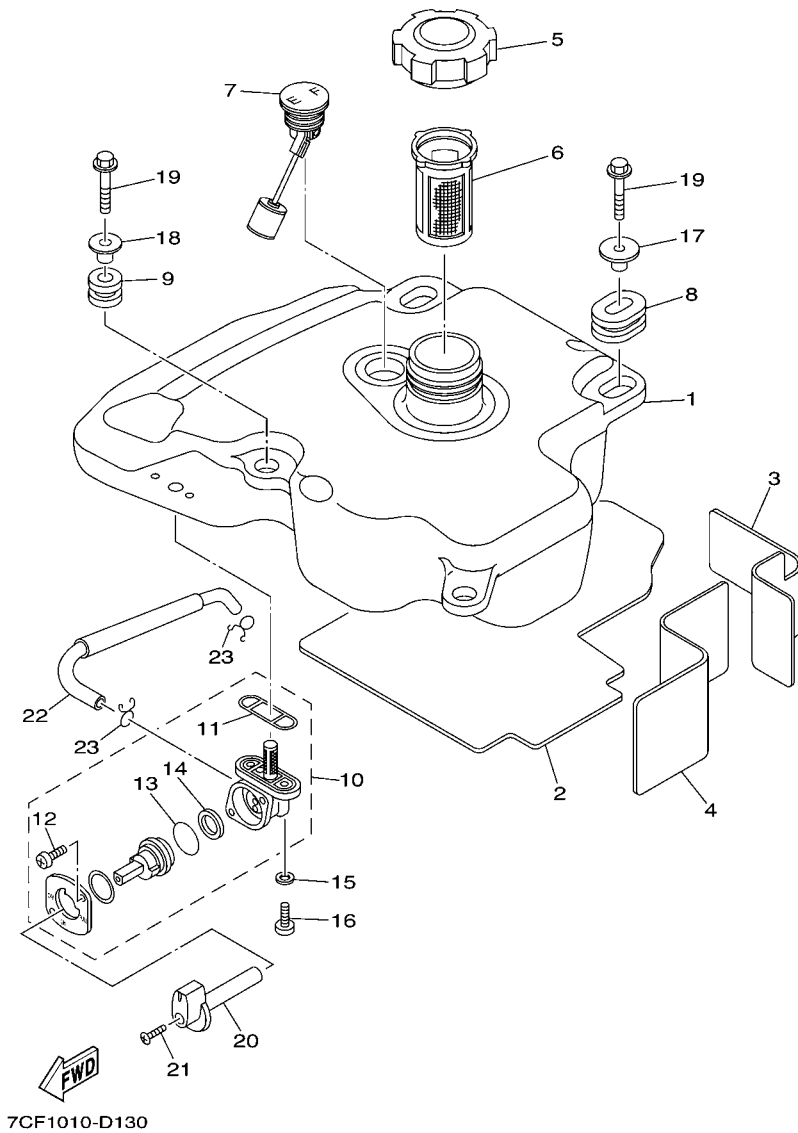


FIG. 12 FUEL TANK

REF. NO.	PART NO.	DESCRIPTION	7CF3				REMARKS
1	7CF-24110-00	FUEL TANK COMP.	1				
2	7CF-24141-00	PROTECTOR, FUEL TANK	1				
3	7CF-24129-00	COVER, SIDE 1	1				
4	7CF-24139-00	COVER, SIDE 2	1				
5	JH2-24610-00	CAP ASSY	1				
6	7VV-24167-00	STRAINER	1				
7	7F7-85710-02	FUEL LEVEL GAUGE ASSY	1				
8	90480-01400	GROMMET	2				
9	90480-18290	GROMMET	2				
10	7CF-24500-00	FUEL COCK ASSY 1	1				
11	7CF-24512-00	.GASKET	1				
12	98502-03008	.SCREW, PAN HEAD	2				
13	3AJ-24534-01	.SEAL, COCK	1				
14	3AC-24523-00	.VALVE PACKING	1				
15	90202-05193	WASHER, PLATE	2				
16	90149-06011	SCREW	2				
17	90387-075H4	COLLAR	2				
18	90387-066J1	COLLAR	2				
19	95802-06030	BOLT, FLANGE	4				
20	7CF-24524-00	LEVER, COCK	1				
21	98702-04020	SCREW, FLAT HEAD	1				
22	7CF-24311-00	PIPE, FUEL 1	1				
23	90467-09006	CLIP	2				

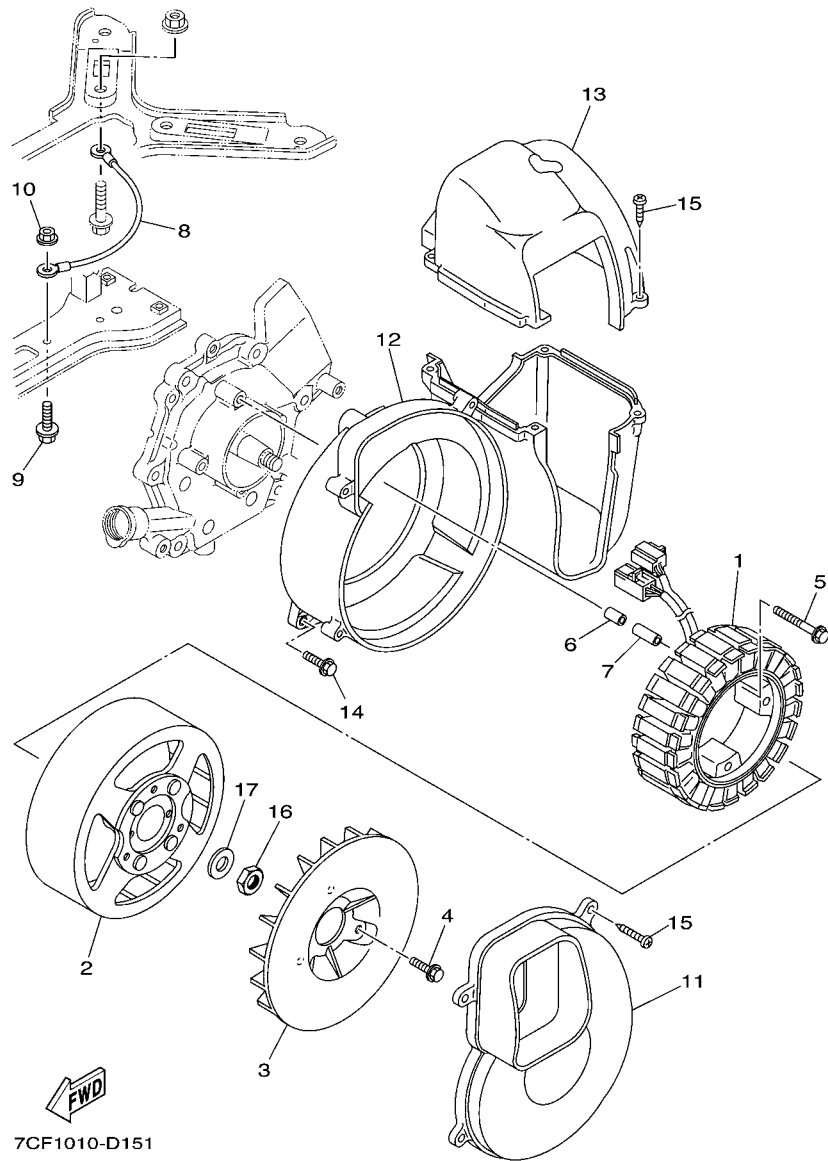


FIG. 14 GENERATOR

REF. NO.	PART NO.	DESCRIPTION	7CF3				REMARKS
1	7CF-87150-20	STATOR ASSY	1				
2	7CF-87160-00	ROTOR ASSY	1				
3	7WL-87172-00	FAN, GENERATOR	1				
4	95802-06016	BOLT, FLANGE	3				
5	95822-06045	BOLT, FLANGE	4				
6	99530-08012	PIN, DOWEL	2				
7	7VU-8719F-01	TUBE 7	2				
8	7VU-87139-00	LEAD WIRE ASSY 2	1				
9	95802-06010	BOLT, FLANGE	1				
10	95702-06500	NUT, FLANGE	1				
11	7CF-87174-00	COVER, REAR END	1				
12	7CF-14627-00	COVER, EXHAUST	1				
13	7CF-14637-00	EXHAUST COVER ASSY	1				
14	95802-06020	BOLT, FLANGE	3				
15	97702-50516	SCREW, TAPPING	8				
16	90170-14403	NUT	1				
17	92902-14200	WASHER	1				

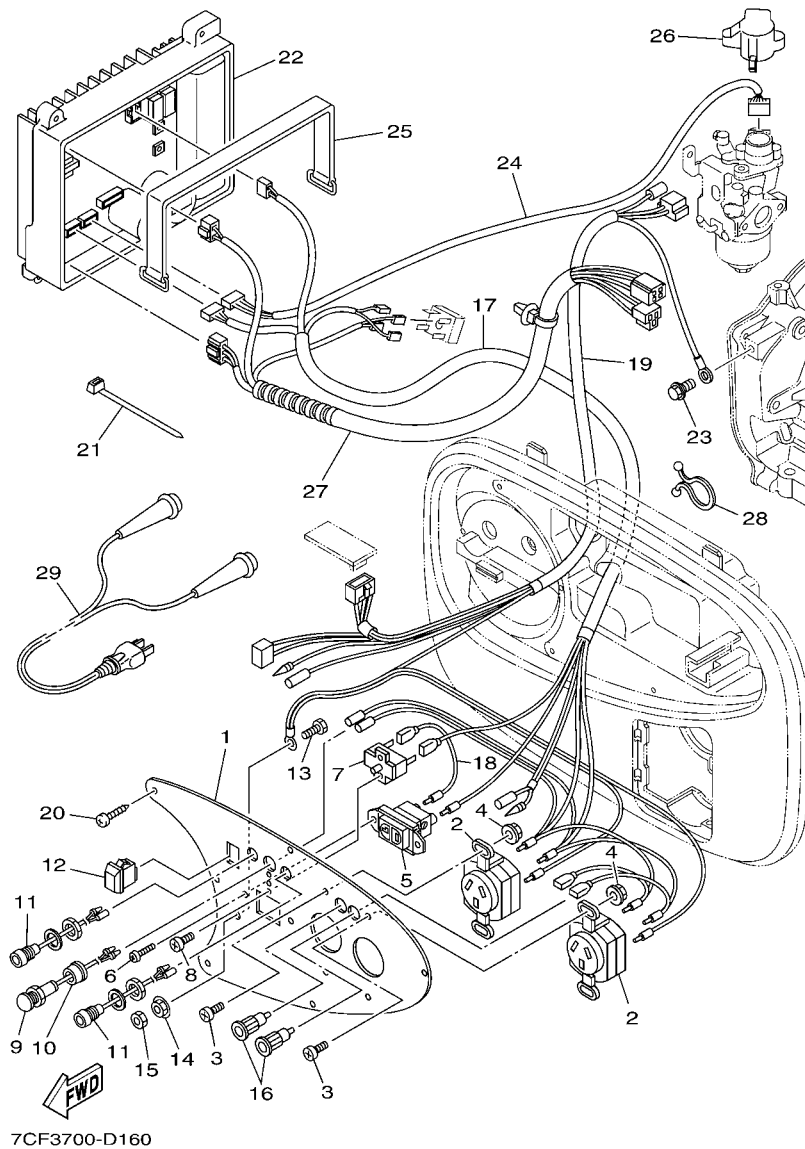


FIG. 15 CONTROL BOX

REF. NO.	PART NO.	DESCRIPTION	7CF3				REMARKS
1	7CF-87249-40	PLATE	1				
2	73G-87221-90	RECEPTACLE 1 (CRIPSAL 415/15)	2				
3	98502-04012	SCREW, PAN HEAD	4				
4	95702-04500	NUT, FLANGE	4				
5	7H8-87214-11	RECEPTACLE COMP. (WCZ 1220-125)	1				
6	98502-04008	SCREW, PAN HEAD	2				
7	7VV-82181-00	CIRCUIT BREAKER COMP. (8A)	1				
8	98502-03008	SCREW, PAN HEAD	2				
9	7CH-83530-G0	PILOT LIGHT ASSY	1				UR
	7NJ-83530-G0	PILOT LIGHT ASSY	1				UR
10	90480-13012	GROMMET	1				
11	7CH-83582-C1	PILOT LIGHT ASSY	2				
12	7CG-82550-C0	ENGINE STOP SWITCH ASSY	1				
13	97080-05016	BOLT	1				
14	95702-05500	NUT, FLANGE	1				
15	95380-05700	NUT	1				
16	7CF-87231-00	TERMINAL 1	2				
17	7CF-87226-N0	WIRE HARNESS ASSY	1				
18	7WL-8722Y-N0	WIRE, LEAD 4	1				
19	7CF-8722X-90	WIRE, LEAD 5	1				
20	97702-40516	SCREW, TAPPING	6				
21	90465-12356	CLAMP	1				
22	7CF-8A210-20	CONTROL UNIT	1				
23	95802-06012	BOLT, FLANGE	1				
24	7CF-82509-00	WIRE, SUB LEAD	1				
25	7CF-82131-00	BAND, BATTERY	1				
26	7VU-14293-00	COVER 1	1				

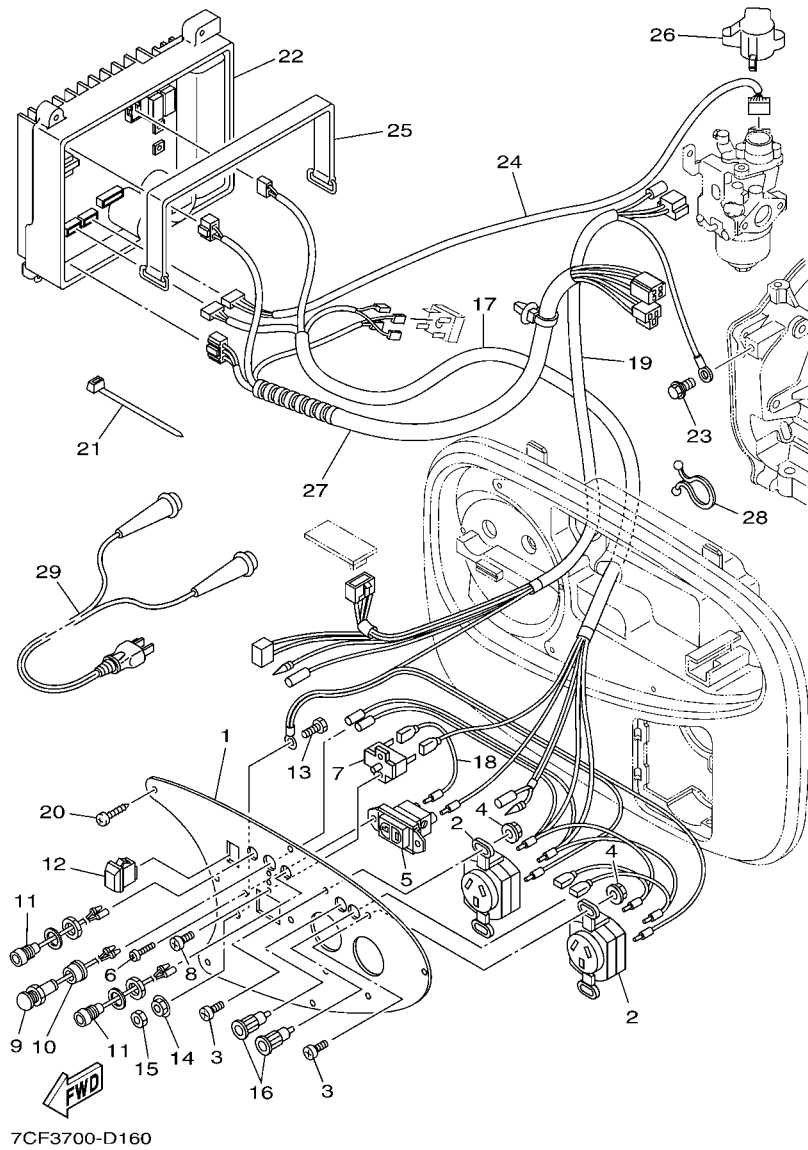
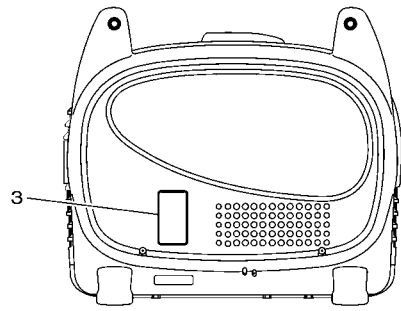
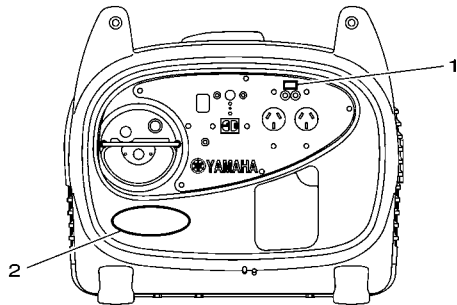
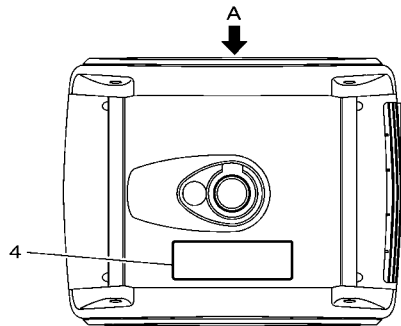


FIG. 15 CONTROL BOX

REF. NO.	PART NO.	DESCRIPTION	7CF3				REMARKS
27	7CF-8722J-00	WIRE, LEAD	1				
28	90464-23041	CLAMP	1				
29	7LJ-87209-10	CHARGE CORD ASSY	1				



VIEW OF A



7CF3700-D170

FIG. 16 LABELS

REF. NO.	PART NO.	DESCRIPTION	7CF3			REMARKS
1	7CF-84306-30	LABEL, CAUTION	1			
2	7CF-24161-10	EMBLEM 1 (EF2400IS)	1			
3	7CF-24164-40	EMBLEM 4 (OIL)	1			
4	7CF-24162-10	EMBLEM 2 (WARNING)	1			

NUMERICAL INDEX

PART NO.	REF. NO.	PART NO.	REF. NO.	PART NO.	REF. NO.	PART NO.	REF. NO.	PART NO.	REF. NO.	PART NO.	REF. NO.
7CF-11011-00	9 - 12	7CF-2281A-00	10 - 16	4SV-24453-00	6 - 22	7CN-E1633-00	2 - 6	7CP-H6240-00	6 - 23	95702-04500	15 - 4
7CF-11012-00	9 - 13	7CF-2281E-00	10 - 20	7CF-24500-00	12 - 10	7CN-E1635-00	2 - 4	90116-06807	1 - 3	95702-05500	15 - 14
7LV-14118-00	6 - 26	7CF-2281F-00	10 - 21	7CF-24512-00	12 - 11	7CN-E1636-00	2 - 4	90149-06011	12 - 16	95702-06500	14 - 10
22F-14139-00	6 - 27	7CF-2281G-00	11 - 10	3AC-24523-00	12 - 14	7CN-E1650-00	2 - 2	90153-05024	7 - 6	95702-08500	9 - 3
620-14142-35-A0	6 - 6		11 - 21	7CF-24524-00	12 - 20	7CN-E1654-00	2 - 3	90154-06823	5 - 8		9 - 11
7LG-14150-11	6 - 19	7CF-22825-00	10 - 7	3AJ-24534-01	12 - 13	7CN-E2111-00	3 - 3	90170-06424	7 - 7	95707-06500	5 - 10
7EG-14159-00	6 - 20	7CF-22837-00	9 - 25	JH2-24610-00	12 - 5	7CN-E2117-00	3 - 7	90170-14403	14 - 16	95802-06010	14 - 9
7TD-14162-00	6 - 15	7CF-2283L-00	9 - 7	7CF-26331-00	10 - 13	7CN-E2118-00	3 - 8	90170-14800	13 - 4	95802-06012	9 - 23
7TD-14181-00	6 - 13	7WL-22857-00	9 - 9	7TA-28100-00	9 - 5	7CN-E2119-00	3 - 15	90183-05004	11 - 20		15 - 23
7G0-14184-00	6 - 12	7CF-22869-00	9 - 8	7CF-82131-00	15 - 25	7CN-E2121-00	3 - 4	90183-05076	9 - 24	95802-06016	14 - 4
7LG-14185-00	6 - 7	7CF-2286A-00	11 - 19	7VV-82181-00	15 - 7	7CN-E2151-00	3 - 9	90183-060A3	9 - 15	95802-06020	14 - 14
22F-14186-00	6 - 10	7CF-22873-00	10 - 2	7CF-82509-00	15 - 24	7CN-E2153-00	3 - 5	90201-03013	10 - 12	95802-06030	9 - 14
7E1-14191-00	6 - 18	7CF-22874-00	10 - 18	7CG-82550-C0	15 - 12	7CN-E2154-00	3 - 14	90202-05193	12 - 15		12 - 19
1V3-14196-00	6 - 30	7CF-22875-00	11 - 2	7CH-83530-G0	15 - 9	7CN-E2155-00	3 - 13	90280-04801	13 - 6	95802-08030	9 - 2
7WL-14197-00	6 - 28	7CF-22876-00	11 - 3	7NJ-83530-G0	15 - 9	7CN-E2157-00	3 - 11	90387-066J1	12 - 18	95807-06012	4 - 2
7NJ-14211-00	6 - 16	7CF-22877-00	11 - 9	7CH-83582-C1	15 - 11	7CN-E2158-00	3 - 12	90387-075H4	12 - 17		4 - 6
73A-14212-00	6 - 4	7CF-22878-00	11 - 17	7CF-84306-30	16 - 1	7CN-E2165-00	3 - 10	90430-10801	8 - 9	95807-06016	4 - 17
	6 - 17	7CF-22879-00	11 - 18	7CF-85680-00	10 - 10	7CN-E2170-00	3 - 1	90445-13800	1 - 11		5 - 11
7RH-14216-00	6 - 2	7CF-22881-00	9 - 6	7F7-85710-02	12 - 7	7CN-E2287-00	3 - 2	90464-23041	15 - 28	95822-06012	7 - 9
7G0-14227-00	6 - 14	7VU-22894-00	9 - 10	7VU-87105-00	9 - 17	7CN-E2180-20	4 - 1	90465-12356	15 - 21	95822-06045	14 - 5
7X9-14239-00	6 - 11	7CF-22895-00	9 - 16	7CF-8711E-00	9 - 19	7CN-E2651-00	4 - 3	90467-09006	12 - 23	95827-06012	1 - 14
1HX-1423E-34-A0	6 - 9	7CF-22897-00	10 - 15	7VU-87139-00	14 - 8	7CP-E2658-00	4 - 4	90468-04001	10 - 6		13 - 11
7VU-14293-00	15 - 26	7CF-22899-00	10 - 3	7CF-87150-20	14 - 1	7CP-E2659-00	4 - 5		10 - 19	95827-06020	13 - 3
7RH-14486-00	6 - 3	7CF-228A0-00	10 - 1	7CF-87160-00	14 - 2	7CN-E3557-00	5 - 2		11 - 5	95827-08035	8 - 14
JA9-14613-00	7 - 8	7CF-228B0-00	10 - 17	7WL-87172-00	14 - 3	7CN-E3567-00	5 - 3		11 - 13	95827-08045	1 - 6
7CF-14627-00	14 - 12	7CF-228C0-00	11 - 1	7CF-87174-00	14 - 11	7CN-E3596-00	5 - 1		11 - 24	95827-08065	1 - 5
7CF-14637-00	14 - 13	7CF-228D0-00	11 - 8	7VU-8719F-01	14 - 7	7CF-E4101-00	6 - 1	90480-01400	12 - 8	97080-05016	15 - 13
7CF-14711-00	7 - 1	7CF-228E0-00	11 - 16	7LJ-87209-10	15 - 29	7CN-E4411-00	5 - 4	90480-13012	15 - 10	97702-30512	10 - 11
7LL-14786-00	7 - 2	7CF-228F0-00	10 - 14	7H8-87214-11	15 - 5	7CN-E4412-00	5 - 5	90480-18290	12 - 9	97702-40516	15 - 20
7NJ-14788-00	7 - 4	7CF-23119-00	10 - 22	73G-87221-90	15 - 2	7CN-E4451-00	5 - 7	90501-20800	3 - 6	97702-50014	9 - 20
7NJ-14799-01	7 - 3	7CF-23383-00	10 - 5	7CF-87226-N0	15 - 17	7CN-E4468-01	5 - 6	92902-04200	10 - 8	97702-50516	14 - 15
7NJ-1479E-00	7 - 5	7CF-23384-00	11 - 4	7CF-8722J-00	15 - 27	7CN-E4477-00	5 - 9	92902-05600	11 - 15	98502-03006	6 - 21
1WG-14922-00	6 - 5	7CF-2338G-00	11 - 11	7CF-8722X-90	15 - 19	7CN-E5111-60	8 - 1		11 - 26	98502-03008	12 - 12
14X-14937-00	6 - 29		11 - 22	7WL-8722Y-N0	15 - 18	7CP-E5315-00	8 - 2	92902-14200	14 - 17		15 - 8
7NN-1495F-1B	6 - 8	7CF-2338H-00	11 - 12	7CF-87231-00	15 - 16	7CN-E5362-20	8 - 15	92907-14200	13 - 5	98502-04008	15 - 6
7CP-15711-00	4 - 8		11 - 23	7CF-87249-40	15 - 1	7CN-E5411-80	8 - 7	92990-05100	6 - 25	98502-04012	15 - 3
7CN-15713-00	4 - 11	7CF-24110-00	12 - 1	7CF-8A210-20	15 - 22	7CN-E5451-00	8 - 13	93102-25803	8 - 5	98502-05014	9 - 18
7CN-15714-00	4 - 9	7CF-24129-00	12 - 3	7CN-E1111-00	1 - 1	7CN-E5472-00	8 - 3		8 - 11	98502-05016	11 - 14
7CN-15715-00	4 - 12	7CF-24139-00	12 - 4	7CN-E1160-00	1 - 10	7CP-E5494-00	8 - 12	93210-22805	8 - 16		11 - 25
7CN-15716-00	4 - 14	7CF-24141-00	12 - 2	7CN-E1169-00	1 - 12	7CP-E5710-00	4 - 7	93306-205XE	8 - 4	98502-08012	9 - 4
7CN-15741-00	4 - 10	7CF-2414G-00	11 - 6	7CN-E1181-00	1 - 4	7CN-F627E-00	4 - 18		8 - 10	98507-05008	6 - 24
7CN-15743-00	4 - 13	7CF-24151-00	10 - 4	7CN-E1191-00	1 - 9	7CN-H2370-00	13 - 7	93450-17828	2 - 7	98702-04020	12 - 21
7CP-15751-00	4 - 16	7CF-24161-10	16 - 2	7CN-E1193-00	1 - 13	7CP-H2372-00	13 - 8	94702-00331	1 - 8	99530-08012	14 - 6
7TD-15755-00	4 - 19	7CF-24162-10	16 - 4	7CN-E1400-A0	2 - 1	7CP-H2373-00	13 - 9	95022-08016	9 - 26	99530-08016	8 - 6
7CN-15793-00	4 - 15	7CF-24164-40	16 - 3	7CN-E1610-00	2 - 5	7CF-H5640-00	13 - 2	95027-10016	8 - 8	99530-10114	1 - 7
7CF-21411-00	9 - 1	7VV-24167-00	12 - 6	7CN-E1610-10	2 - 5	7CF-H5650-00	13 - 1	95380-05700	15 - 15		
7WL-21764-00	11 - 7	7CF-24191-01	9 - 22	7CN-E1610-20	2 - 5	7CN-H5720-00	13 - 10	95607-06615	1 - 2		
7CF-22811-00	9 - 21	7CF-24311-00	12 - 22	7CN-E1631-00	2 - 4	7CN-H5724-00	13 - 12	95702-04500	10 - 9		