



PARTS CATALOGUE

EF2200iS (7PC3) AUSTRALIA



1U7PC-700E1

()

EF2200iS
PARTS CATALOGUE
©2019 by Yamaha Motor Co., Ltd.
1st edition, August 2019
All rights reserved.
Any reprinting or unauthorized use
without the written permission of
Yamaha Motor Co., Ltd.
is expressly prohibited.
Printed in Japan.

FOREWORD

This Parts Catalogue is related to the parts for the model(s) on the cover page. When you are ordering replacement parts, please refer to this Parts Catalogue and quote both part numbers and part names correctly.

1. Modifications or additions which have been made after the issue of the Parts Catalogue will be announced in the Parts News.
It is advisable that you make the necessary corrections to the Parts Catalogue according to the Parts News.

2. Abbreviations

The following abbreviations are used in this Parts Catalogue.

“UR” Use specified parts number.

“UN” Use as many as needed.

“AP” Alternate Parts

“LM” Locally Made (Parts need to be ordered locally)

“F#” Frame No. (Applicable machine No.)

“O/S” Over Size

3. The number of components for assembly

- Parts, which are to be supplied in an assembly, are listed with a dot (.) in front of the part name as shown below.
- The numeral appearing to the right of each component part indicates the quantity of parts for each assembly unit.

PART NO.	DESCRIPTION	Q'TY	REMARKS
2F5-83310-60	FRONT FLASHER LIGHT ASSY	2	
115-83311-60	.BULB (6V-18W)	1	

4. Applicable colours of graphics are represented in the “REMARKS” as shown below.

PART NO.	DESCRIPTION	Q'TY	REMARKS
2N4-24110-00-X5	FUEL TANK COMP.	2	MXR
3J1-24240-10	.GRAPHIC, FUEL TANK	1	FOR MXR

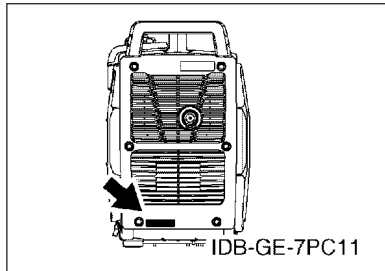
5. Note that the illustrations for reference in finding parts numbers are not to be used for assembling. When assembling, please use the applicable service manual.

6. The asterisk (*) before a reference number indicates modified items after the first edition.

FOREWORD

7. Applicable Serial No.

Frame Serial No.



8. Applicable Colour Code (The (*) mark shows Model colour.)

Abbreviation	Colour Name	Colour Code
PBS3(*)	PURPLISH BLUE SOLID 3	0714

9. Applicable Starting Serial No.

*****Serial NO.

Model	Model Code	Destination	Voltage	Serial NO.
EF2200iS	7PC3	AUSTRALIA	230V-50Hz	7PC-0310101

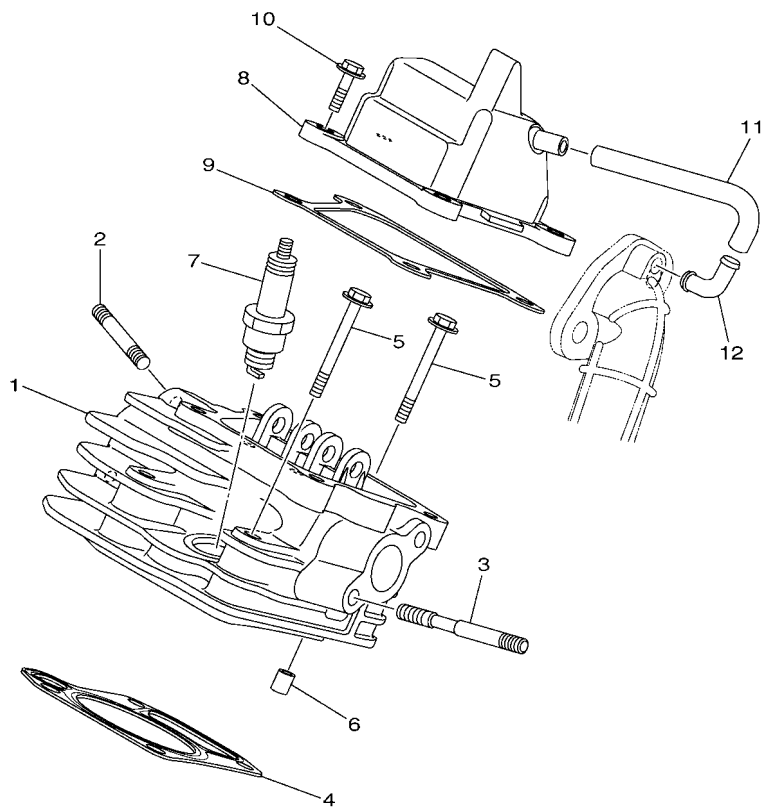
CONTENTS

CYLINDER.....	1
CRANKSHAFT & PISTON.....	2
CAMSHAFT & VALVE.....	3
AIR SHROUD & STARTER.....	4
INTAKE.....	5
CARBURETOR.....	6
EXHAUST.....	7
CRANKCASE.....	8
FRAME.....	9
FRAME 2.....	11
FUEL TANK.....	13
TCI MAGNETO.....	15
GENERATOR.....	16
CONTROL BOX.....	17
GRAPHIC & EMBLEM.....	19

INDEX

NUMERICAL INDEX.....	20
----------------------	----

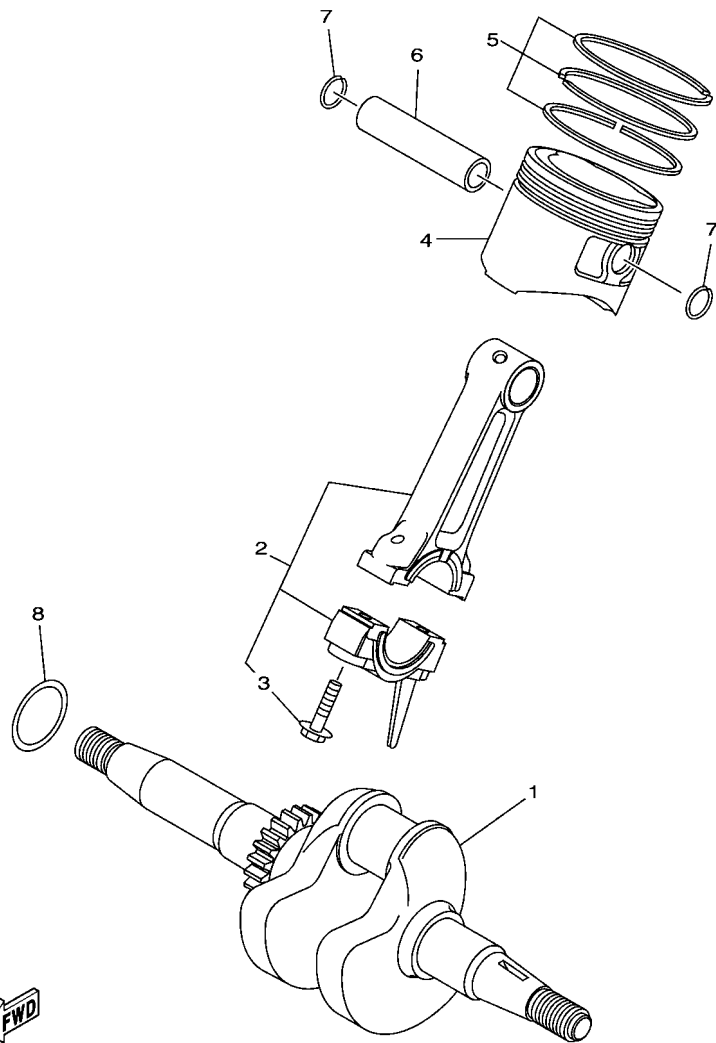
FIG. 1 CYLINDER



REF. NO.	PART NO.	DESCRIPTION	7PCS				REMARKS
1	7DX-E1111-10	HEAD, CYLINDER 1	1				
2	95602-06615	BOLT, STUD	2				
3	7DX-E1179-00	BOLT, STUD	2				
4	7CY-E1181-00	GASKET, CYLINDER HEAD 1	1				
5	95822-06050	BOLT, FLANGE	4				
6	99530-08012	PIN, DOWEL	2				
7	94702-00821	PLUG, SPARK (NGK BPR6HS)	1				
8	7DX-E1190-10	COVER, CYLINDER HEAD 1	1				
9	7DX-E1351-00	GASKET, CYLINDER	1				
10	95822-06020	BOLT, FLANGE	4				
11	7DX-E1166-10	PIPE, BREATHER 1	1				
12	7DX-E111J-00	PIPE 1	1				



7PC1010-T010

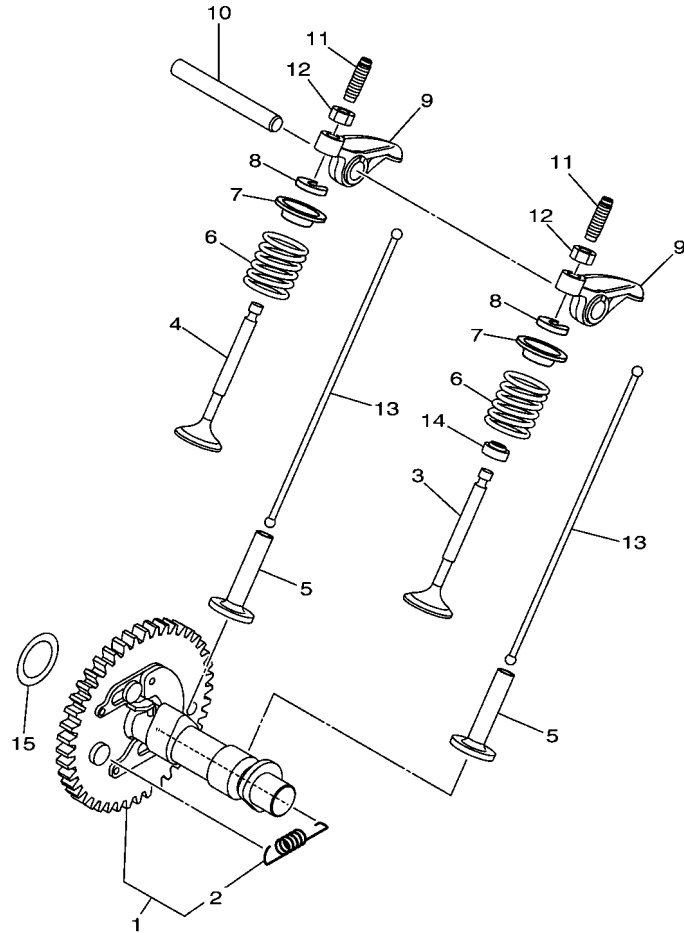


7DK2110-H020

FIG. 2 CRANKSHAFT & PISTON

REF. NO.	PART NO.	DESCRIPTION	7PCS				REMARKS
1	7DX-E1400-10	CRANKSHAFT ASSY	1				
2	7DX-E1650-00	CONNECTING ROD ASSY	1				
3	7DX-E1654-00	.BOLT, CONNECTING ROD	2				
4	7DX-E1631-00-A0	PISTON (STD)	1				
	7DX-E1635-00	PISTON (0.25MM O/S)	1				AP
	7DX-E1636-00	PISTON (0.50MM O/S)	1				AP
5	7CY-E1610-00	PISTON RING SET (STD)	1				
	7CY-E1610-10	PISTON RING SET (0.25MM O/S)	1				AP
	7CY-E1610-20	PISTON RING SET (0.50MM O/S)	1				AP
6	7DX-E1633-00	PIN, PISTON	1				
7	93450-13819	CIRCLIP	2				
8	7DX-E1561-00	SHIM, CRANK 1	1				UN

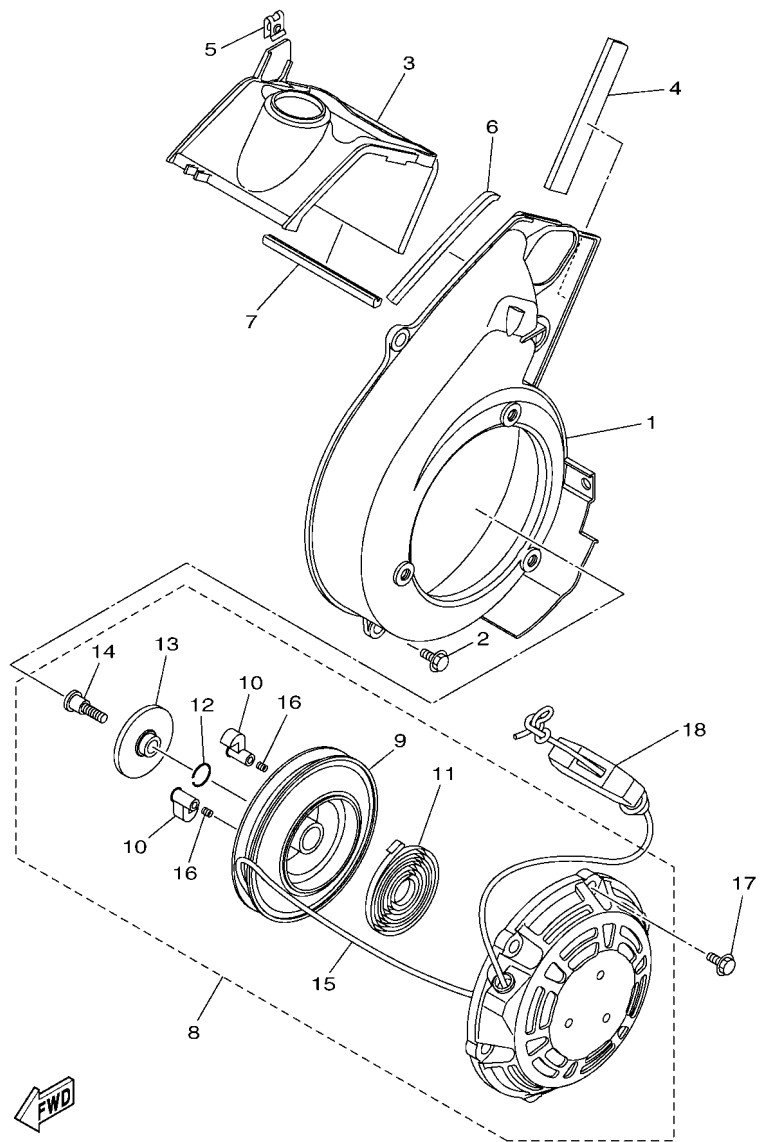
FIG. 3 CAMSHAFT & VALVE




7DKE110-J031

REF. NO.	PART NO.	DESCRIPTION	7PCS				REMARKS
1	7DX-E2180-12	CAMSHAFT ASSY 2	1				
2	7DX-E2287-00	.SPRING, DECOMPRESSION	1				
3	7DX-E2111-20	VALVE, INTAKE	1				
4	7DX-E2121-20	VALVE, EXHAUST	1				
5	7DX-E2153-00	LIFTER, VALVE	2				
6	90501-20800	SPRING, COMPRESSION	2				
7	7DX-E2117-00	RETAINER, VALVE SPRING	2				
8	7DX-E2118-00	LOCK, VALVE SPRING RETAINER	2				
9	7DX-E2151-00	ARM, VALVE ROCKER	2				
10	7DX-E2156-00	SHAFT, ROCKER 2	1				
11	7CT-E2159-00	SCREW, VALVE ADJUSTING	2				
12	90170-05806	NUT	2				
13	7DX-E2154-10	ROD, VALVE PUSH	2				
14	7DX-E2119-01	SEAL, VALVE STEM	1				
15	7DX-F5153-00	SHIM, CAMSHAFT	1				

FIG. 4 AIR SHROUD & STARTER



7PC1010-T040

REF. NO.	PART NO.	DESCRIPTION	7PCS				REMARKS
1	7DX-E2621-10	CASE, FAN	1				
2	95802-06016	BOLT, FLANGE	4				
3	7DX-E2651-10	AIR SHROUD, CYLINDER 1	1				
4	90520-05800	DAMPER, PLATE	1				
5	7DX-E261D-00	NUT SPRING 1	1				
6	7CP-E262J-00	PAD, FAN CASE 3	1				
7	90520-05801	DAMPER, PLATE	1				
8	7DX-E5710-00	STARTER ASSY	1				
9	7DX-E5714-00	.DRUM, SHEAVE	1				
10	7CN-E5741-01	.PAWL, DRIVE	2				
11	7CN-E5713-00	.SPRING, STARTER	1				
12	7CN-E5715-00	.SPRING, FRICTION	1				
13	7DX-E5716-00	.PLATE, DRIVE	1				
14	7DX-E5793-00	.SCREW	1				
15	7DX-E5751-00	.WIRE, STARTER	1				
16	7DX-E5734-00	.SPRING, RETURN	2				
17	95802-06016	BOLT, FLANGE	3				
18	7PC-E5755-00	HANDLE, STARTER	1				

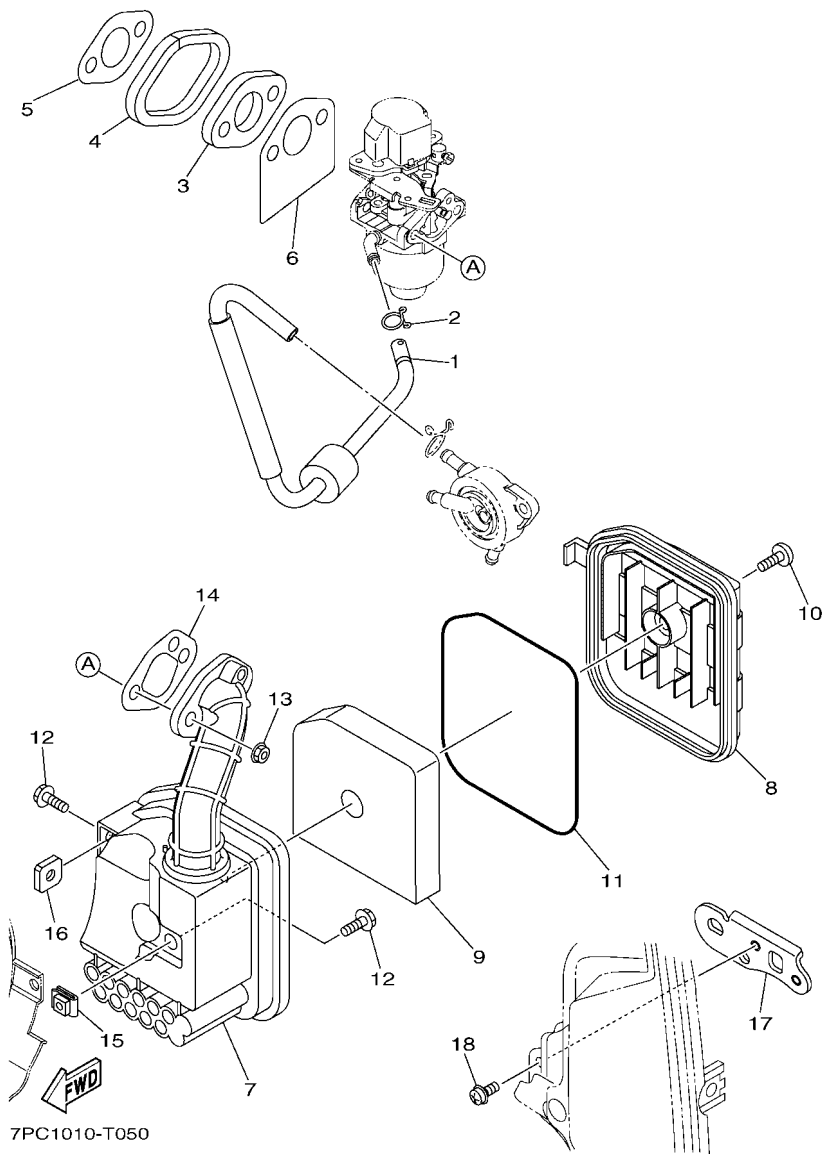
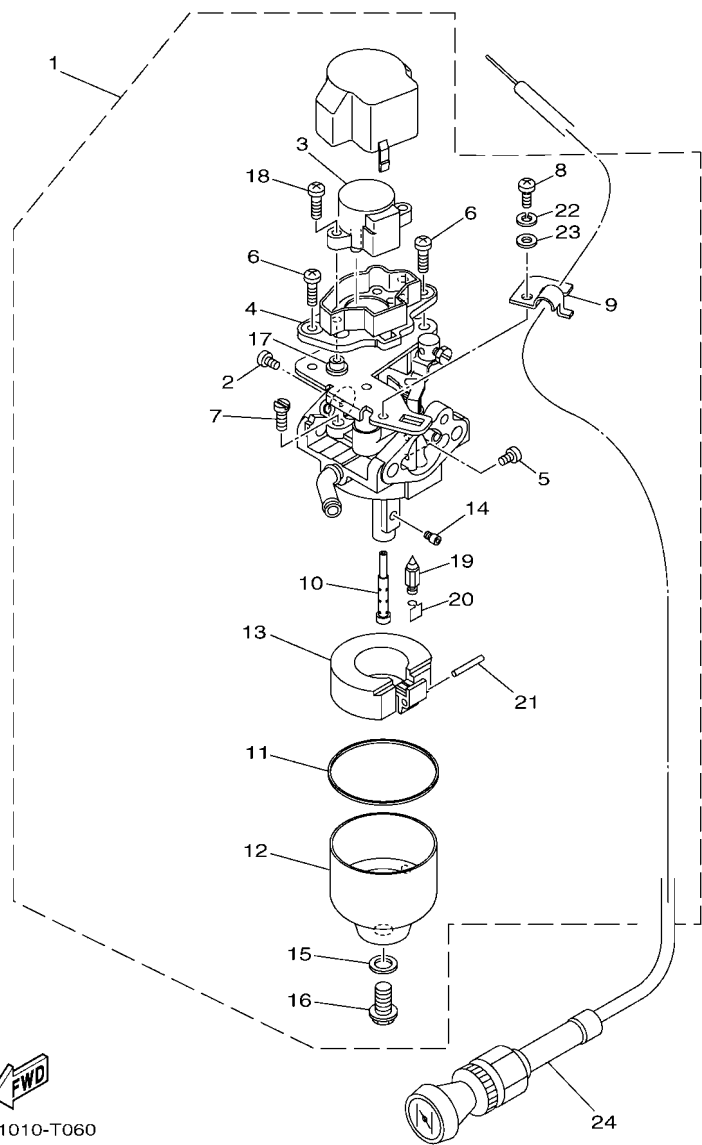


FIG. 5 INTAKE

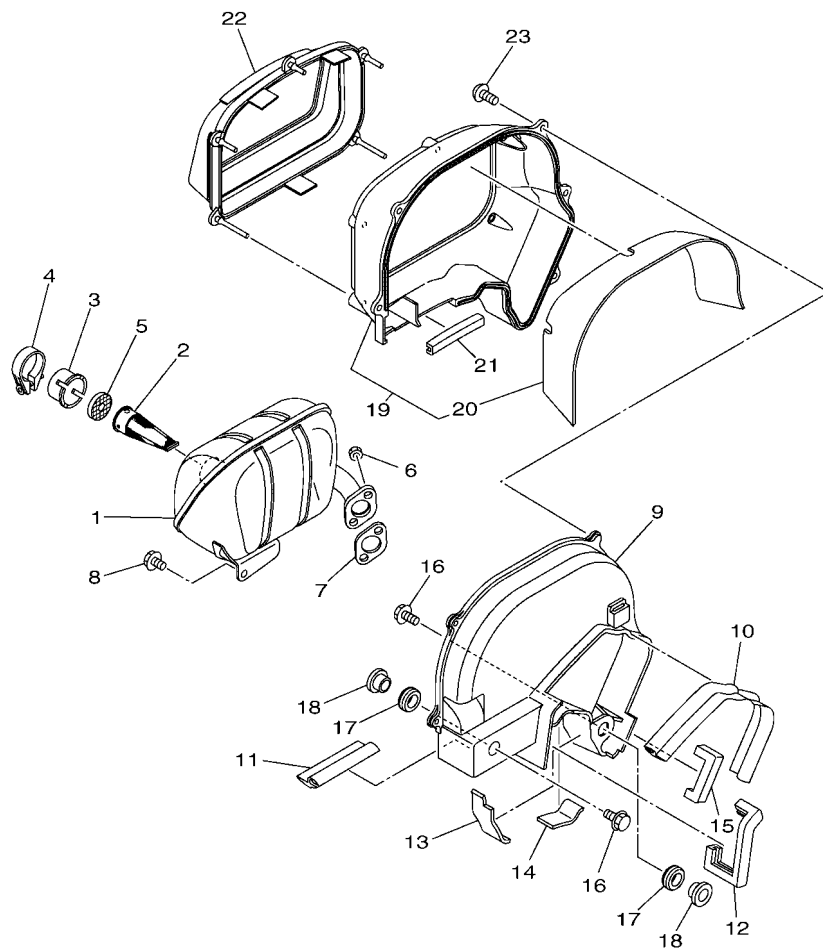
REF. NO.	PART NO.	DESCRIPTION	7PCS				REMARKS
1	7PC-F4313-00	PIPE 3	1				
2	90467-09804	CLIP	1				
3	7DX-E3595-10	JOINT	1				
4	7DX-E3593-10	DAMPER	1				
5	7DX-E3556-20	GASKET, MANIFOLD	1				
6	7DX-E3556-30	GASKET, MANIFOLD	1				
7	7DX-E4401-10	AIR CLEANER CASE ASSY	1				
8	7DX-E4412-10	CAP, CLEANER CASE 1	1				
9	7DX-E4451-10	ELEMENT, AIR CLEANER	1				
10	90154-06823	SCREW, BINDING	1				
11	7DX-E4467-00	SEAL	1				
12	95802-06020	BOLT, FLANGE	2				
13	95702-06500	NUT, FLANGE	2				
14	7DX-E4416-10	GASKET, AIR CLEANER	1				
15	90183-06827	NUT, SPRING	1				
16	90173-06008	NUT, SQUARE	1				
17	7PC-F637G-00	HOLDER, WIRE	1				
18	97607-05212	SCREW, WITH WASHER	2				

FIG. 6 CARBURETOR



7PC1010-T060

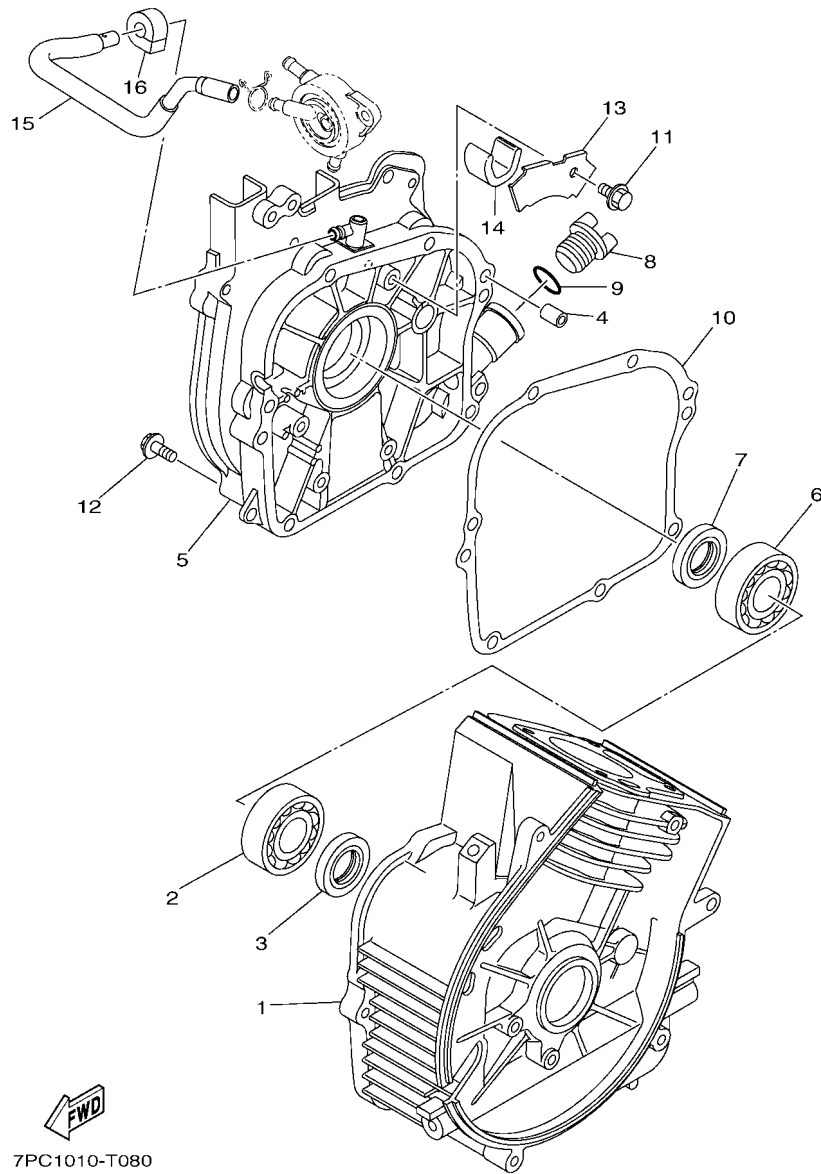
REF. NO.	PART NO.	DESCRIPTION	7PCS				REMARKS
1	7PC-E4101-00	CARBURETOR ASSY 1	1				
2	7BX-E4216-00	.SCREW	2				
3	7PC-H6240-00	.THROTTLE MOTOR ASSY	1				
4	7PB-H2915-00	.SEAT, MOTOR	1				
5	7BX-E4486-00	.SCREW, ROD	2				
6	7PB-E4429-00	.SCREW	2				
7	7PB-E4A42-19	.JET, PILOT	1				
8	98502-05008	.SCREW, PAN HEAD	1				
9	7PB-E4243-00	.PLATE	1				
10	7PB-E4A41-00	.NOZZLE, MAIN	1				
11	7BX-E4184-00	.GASKET, FLOAT CHAMBER	1				
12	7PB-E4A81-00	.BODY, FLOAT CHAMBER 1	1				
13	7BX-E4185-00	.FLOAT	1				
14	7PB-E4A43-34	.JET, MAIN	1				
15	7PB-E4227-00	.WASHER	1				
16	7PB-E4162-00	.BOLT, HOLDING	1				
17	7PB-E4117-00	.NUT	2				
18	7PB-H4526-00	.SCREW	2				
19	7BX-E4150-00	.NEEDLE ASSY	1				
20	7BX-E4159-00	.CLIP	1				
21	7PB-E4186-00	.PIN, FLOAT	1				
22	92902-05100	.WASHER, SPRING	1				
23	92902-05600	.WASHER, PLATE	1				
24	7PB-F6331-00	CABLE, STARTER 1	1				




 7PC2110-T070

FIG. 7 EXHAUST

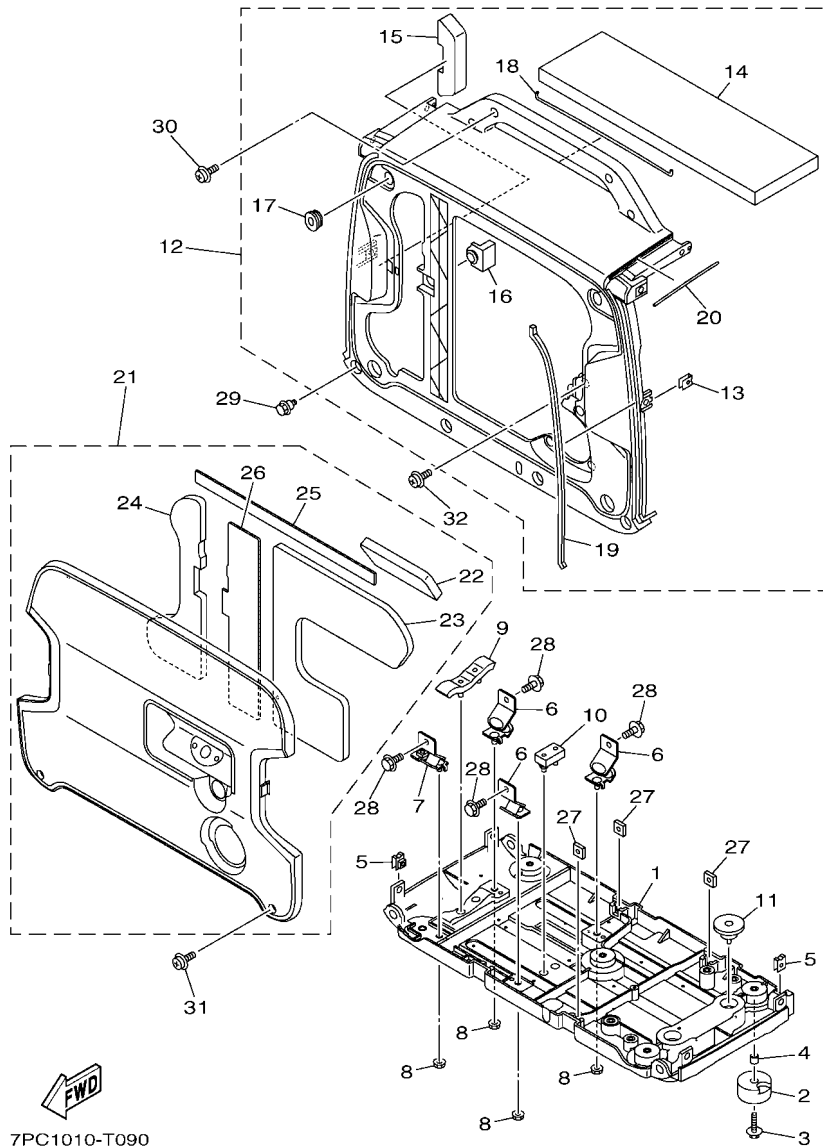
REF. NO.	PART NO.	DESCRIPTION	7PCS				REMARKS
1	7PC-E4721-00	MUFFLER 2	1				
2	7DX-E4786-00	ARRESTER, SPARK	1				
3	7CA-E4799-00	CAP	1				
4	7PB-E4788-00	BAND, SILENCER	1				
5	7CA-E479E-00	NET, WIRE 2	1				
6	95302-06600	NUT, HEXAGON	2				
7	7DX-E4613-00	GASKET, EXHAUST PIPE	1				
8	95822-06014	BOLT, FLANGE	1				
9	7DX-E471C-20	PROTECTOR ASSY 1	1				
10	7DX-E4452-00	SEAL	1				
11	7DX-E4457-00	SEAL	1				
12	7DX-E5494-10	SEAL, PROTECTOR	1				
13	7DX-E5496-00	SEAL, PROTECTOR 2	1				
14	7DX-E549D-00	SEAL, PROTECTOR	1				
15	7DX-E5495-00	SEAL, PROTECTOR 1	1				
16	95822-06016	BOLT, FLANGE	2				
17	90480-12237	GROMMET	2				
18	90387-068L2	COLLAR	2				
19	7DX-E472C-20	PROTECTOR ASSY., 2	1				
20	7DX-E2685-20	.DAMPER, DUCT 2	1				
21	7DX-E5495-00	SEAL, PROTECTOR 1	1				
22	7DX-E2691-10	DUCT 1	1				
23	97702-50014	SCREW, TAPPING	5				



7PC1010-T080

FIG. 8 CRANKCASE

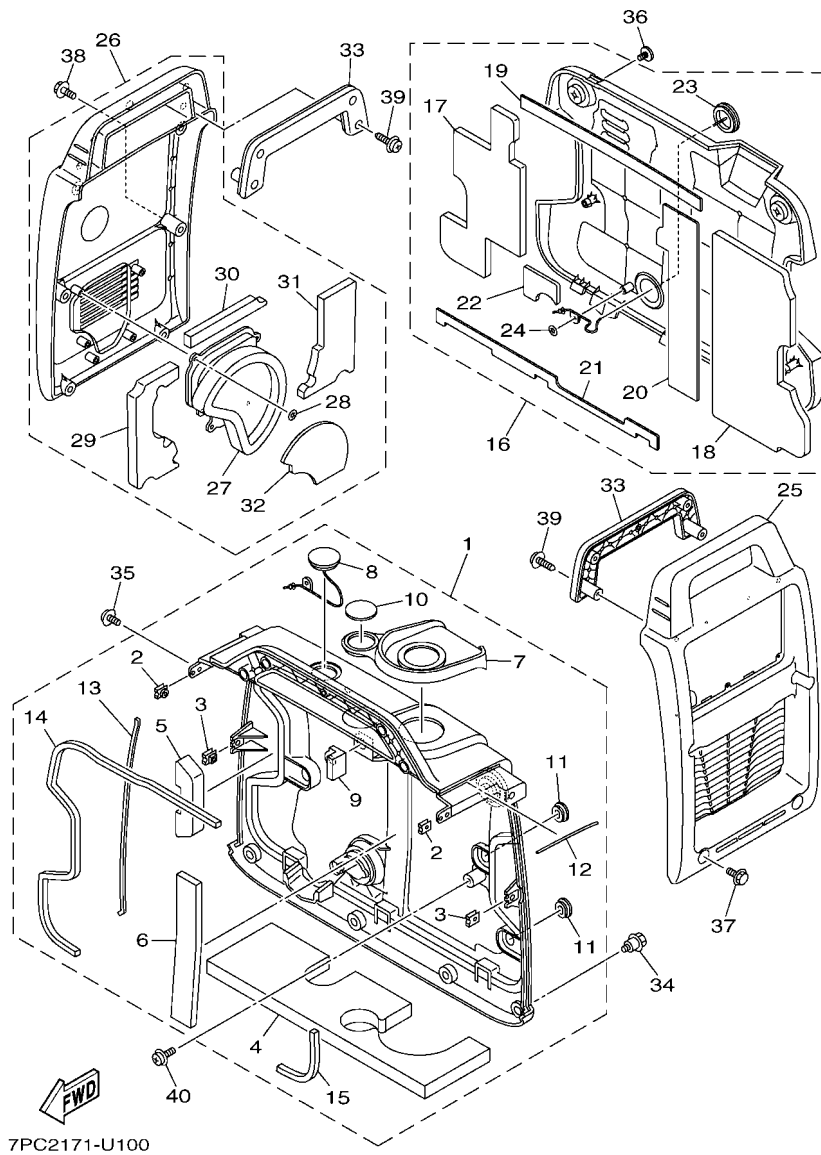
REF. NO.	PART NO.	DESCRIPTION	7PCS				REMARKS
1	7DX-E5111-10	CRANKCASE 1	1				
2	93306-204YY	BEARING	1				
3	93102-20802	OIL SEAL	1				
4	99530-08012	PIN, DOWEL	2				
5	7DX-E5411-11	COVER, CRANKCASE 1	1				
6	93306-204YY	BEARING	1				
7	93102-20802	OIL SEAL	1				
8	7DX-E5363-00	PLUG, OIL	1				
9	93210-15803	O-RING	1				
10	7DX-E5451-10	GASKET, CRANKCASE COVER 1	1				
11	95822-06012	BOLT, FLANGE	1				
12	95822-06025	BOLT, FLANGE	7				
13	7DX-E5123-00	PLATE, BAFFLE 1	1				
14	7DX-E5407-00	ELEMENT 1	1				
15	7PC-F4314-00	PIPE 4	1				
16	7DX-E5663-00	SEAL	1				



7PC1010-T090

FIG. 9 FRAME

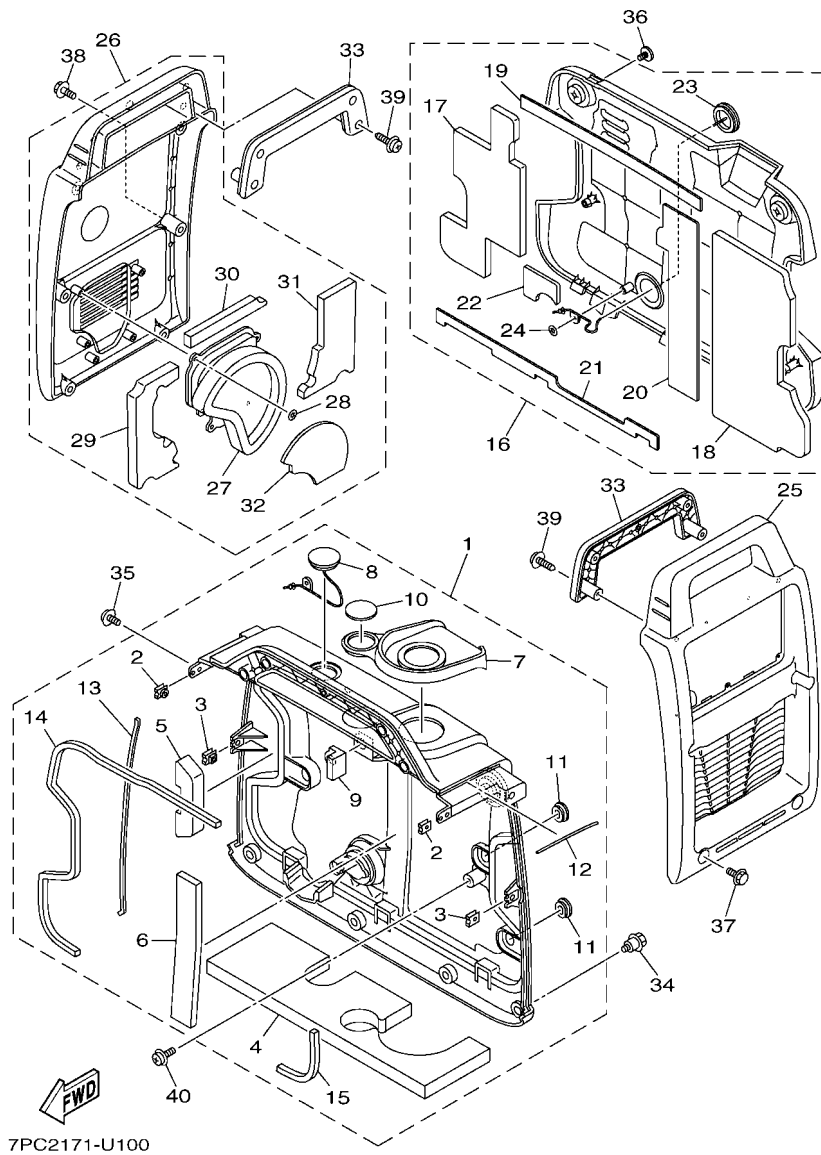
REF. NO.	PART NO.	DESCRIPTION	7PCS				REMARKS
1	7PC-F2881-00	BASE, MOUNTING	1				
2	7PB-F2895-00	INSULATOR, MOUNTING	4				
3	90119-068C8	BOLT, WITH WASHER	4				
4	90387-063K3	COLLAR	4				
5	90183-06827	NUT, SPRING	4				
6	7PB-F2891-00	INSULATOR, MOUNTIN	3				
7	7PC-F2891-00	INSULATOR, MOUNTING	1				
8	95702-06500	NUT, FLANGE	4				
9	7PB-F2275-00	DAMPER, STOPPER	1				
10	7PB-F2218-00	DAMPER, SHOCK ABSORBER L	1				
11	7PC-F1778-00	DAMPER, LOCATING 1	2				
12	7PC-F28A0-00	COVER ASSY 1	1				
13	90183-06827	.NUT, SPRING	4				
14	90520-20824	.DAMPER, PLATE	1				
15	7PC-F289H-00	.SEAL 19	1				
16	7PB-F282E-00	.STOPPER	1				
17	90480-01559	.GROMMET	2				
18	7PC-F3383-00	.COVER, DUST SEAL 1	1				
19	90520-03837	.DAMPER, PLATE	1				
20	7PC-F3384-00	.COVER, DUST SEAL 2	1				
21	7PC-F28B0-00	COVER ASSY 2	1				
22	7PC-F2874-00	.SEAL 2	1				
23	7PC-F2875-00	.SEAL 3	1				
24	7PC-F2876-00	.SEAL 4	1				
25	90520-03836	.DAMPER, PLATE	1				
26	7PC-F2878-00	.SEAL 6	1				
27	90173-06008	NUT, SQUARE	8				



7PC2171-U100

FIG. 10 FRAME 2

REF. NO.	PART NO.	DESCRIPTION	7PCS				REMARKS
1	7PC-F28C0-00	COVER ASSY 3	1				
2	90183-050A7	.NUT, SPRING	2				
3	90183-06827	.NUT, SPRING	4				
4	7PC-F2879-00	.SEAL, 7	1				
5	7PC-F289H-00	.SEAL 19	1				
6	90520-10849	.DAMPER, PLATE	1				
7	7PC-F414A-00	.COVER, FILLER	1				
8	7PC-F2855-00	.COVER 2	1				
9	7PB-F282E-00	.STOPPER	1				
10	7PB-F1764-00	.LENS, LEVEL GAUGE	1				
11	90480-01559	.GROMMET	3				
12	7PC-F3384-00	.COVER, DUST SEAL 2	1				
13	90520-03837	.DAMPER, PLATE	1				
14	90520-04816	.DAMPER, PLATE	1				
15	90520-04818	.DAMPER, PLATE	1				
16	7PC-F28D0-00	COVER ASSY 4	1				
17	7PC-F2885-00	.SEAL 8	1				
18	7PC-F2886-00	.SEAL 9	1				
19	90520-03836	.DAMPER, PLATE	1				
20	7PC-F2888-00	.SEAL 11	1				
21	7PC-F2889-00	.SEAL 12	1				
22	7PC-F289K-00	.SEAL 21	1				
23	7PC-F2855-00	.COVER 2	1				
24	90183-05004	.NUT, SPRING	1				
25	7PC-H7201-00	CONTROL BOX COMP.	1				
26	7PC-F28F0-00	COVER ASSY 6	1				
27	7PC-F286A-00	.DUCT 1	1				



7PC2171-U100

FIG. 10 FRAME 2

REF. NO.	PART NO.	DESCRIPTION	7PCS				REMARKS
28	90183-05004	.NUT, SPRING	5				
29	7PC-F2897-00	.SEAL 14	1				
30	7PC-F2899-00	.SEAL 15	1				
31	7PC-F289A-00	.SEAL 16	1				
32	7PB-F2889-00	.SEAL 12	1				
33	7PC-F628J-00	CAP, GRIP	2				
34	90109-06278	BOLT	4				
35	97607-05212	SCREW, WITH WASHER	2				
36	7PC-F3396-00	SCREW, SPECIAL	2				
37	95827-06016	BOLT, FLANGE	6				
38	95827-06016	BOLT, FLANGE	6				
39	97707-50516	SCREW, TAPPING	8				
40	97607-05212	SCREW, WITH WASHER	1				

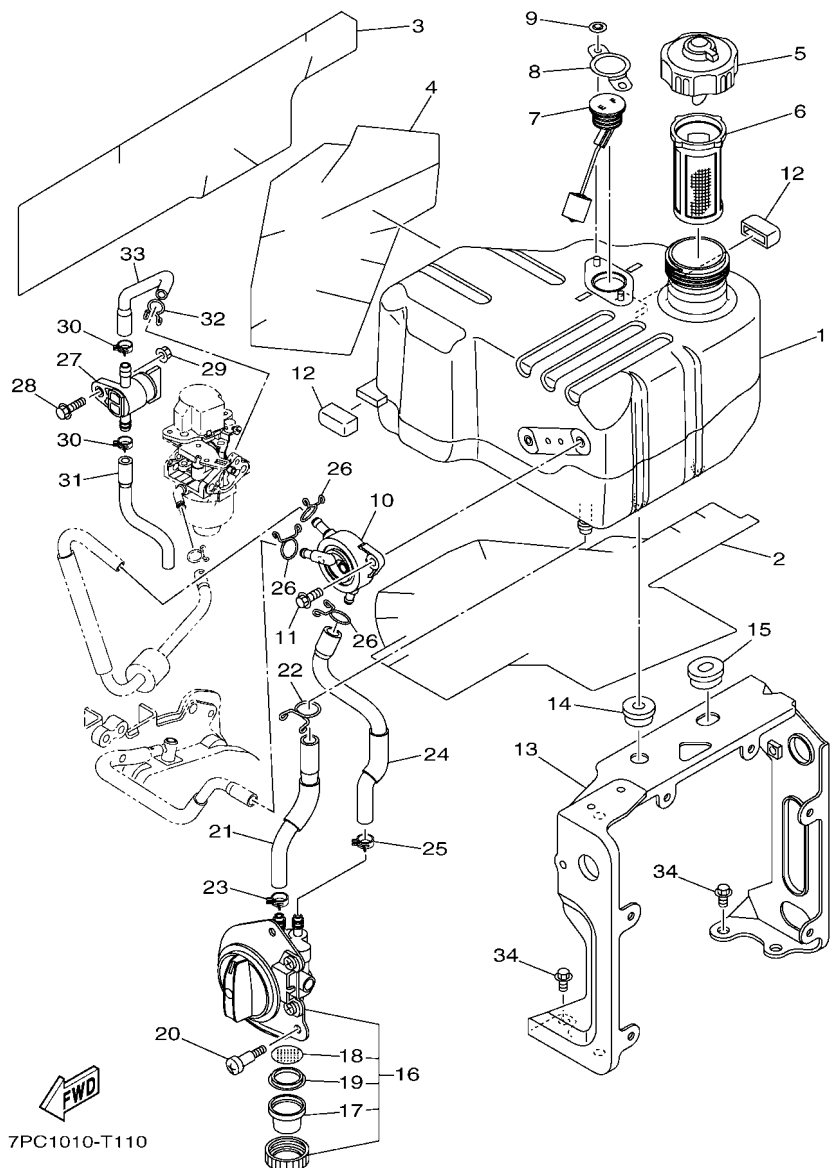
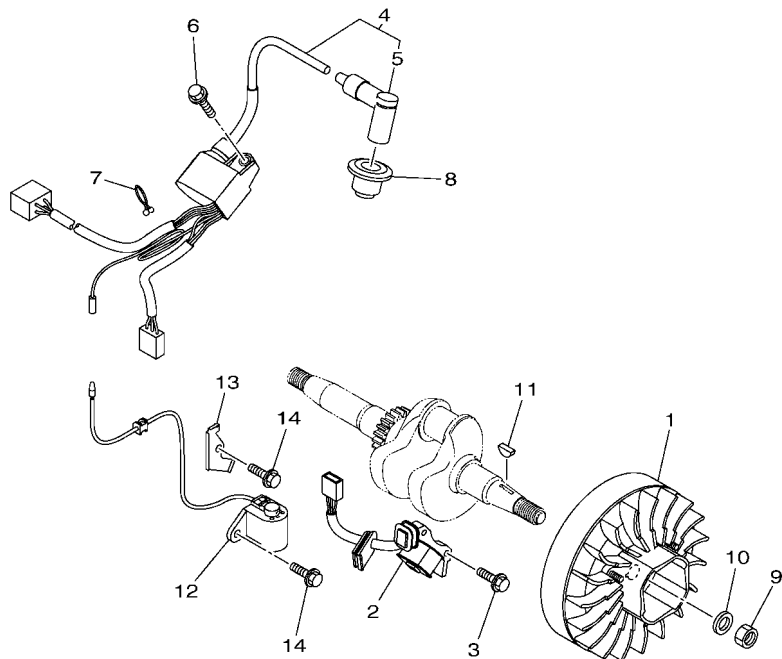


FIG. 11 FUEL TANK

REF. NO.	PART NO.	DESCRIPTION	7PCS				REMARKS
1	7PC-F4110-11	FUEL TANK COMP.	1				
2	7PC-F4141-00	PROTECTOR, FUEL TANK	1				
3	7PC-F4129-00	COVER, SIDE 1	1				
4	7PC-F4139-00	COVER, SIDE 2	1				
5	7PB-F4610-00	CAP ASSY.	1				
6	7PB-F4167-00	STRAINER	1				
7	7PC-H5710-00	FUEL LEVEL GAUGE ASSY	1				
8	7PB-F413X-00	PLATE	1				
9	90183-05004	NUT, SPRING	2				
10	7VV-24410-01	FUEL PUMP ASSY	1				
11	95802-06016	BOLT, FLANGE	2				
12	7PB-F4181-00	DAMPER, LOCATING 1	2				
13	7PC-F4191-00	BRACKET, FUEL TANK 1	1				
14	90480-13567	GROMMET	1				
15	90480-01558	GROMMET	1				
16	7PC-F450A-00	FUEL COCK COMP.	1				
17	7XK-24521-00	.CUP, FILTER	1				
18	7RJ-24515-00	.NET, FILTER 2	1				
19	7T0-24565-00	.GASKET	1				
20	90149-05162	SCREW	3				
21	7PC-F4311-00	PIPE, FUEL 1	1				
22	90467-12814	CLIP	1				
23	90467-110A2	CLIP	1				
24	7PC-F4312-00	PIPE 2	1				
25	90467-09806	CLIP	1				
26	90467-10803	CLIP	3				
27	7PC-F4500-00	DRAIN COCK ASSY	1				

FIG. 12 TCI MAGNETO



REF. NO.	PART NO.	DESCRIPTION	7PCS				REMARKS
1	7DX-H5550-10	ROTOR ASSY	1				
2	7DX-H5521-10	COIL ASSY	1				
3	95822-06020	BOLT, FLANGE	2				
4	7DX-H2300-00	IGN. ASSY	1				
5	7CN-H2370-00	.PLUG CAP ASSY	1				
6	95802-06020	BOLT, FLANGE	1				
7	90464-16805	CLAMP	1				
8	7CP-H2372-00	SEAL, PLUG CAP	1				
9	95302-12700	NUT, HEX.	1				
10	92902-12600	WASHER, PLATE	1				
11	90280-03045	KEY, WOODRUFF	1				
12	7DX-H5720-00	OIL LEVEL GAUGE ASSY	1				
13	7DX-H5724-00	CLAMP	1				
14	95822-06012	BOLT, FLANGE	3				



7PC1010-T120

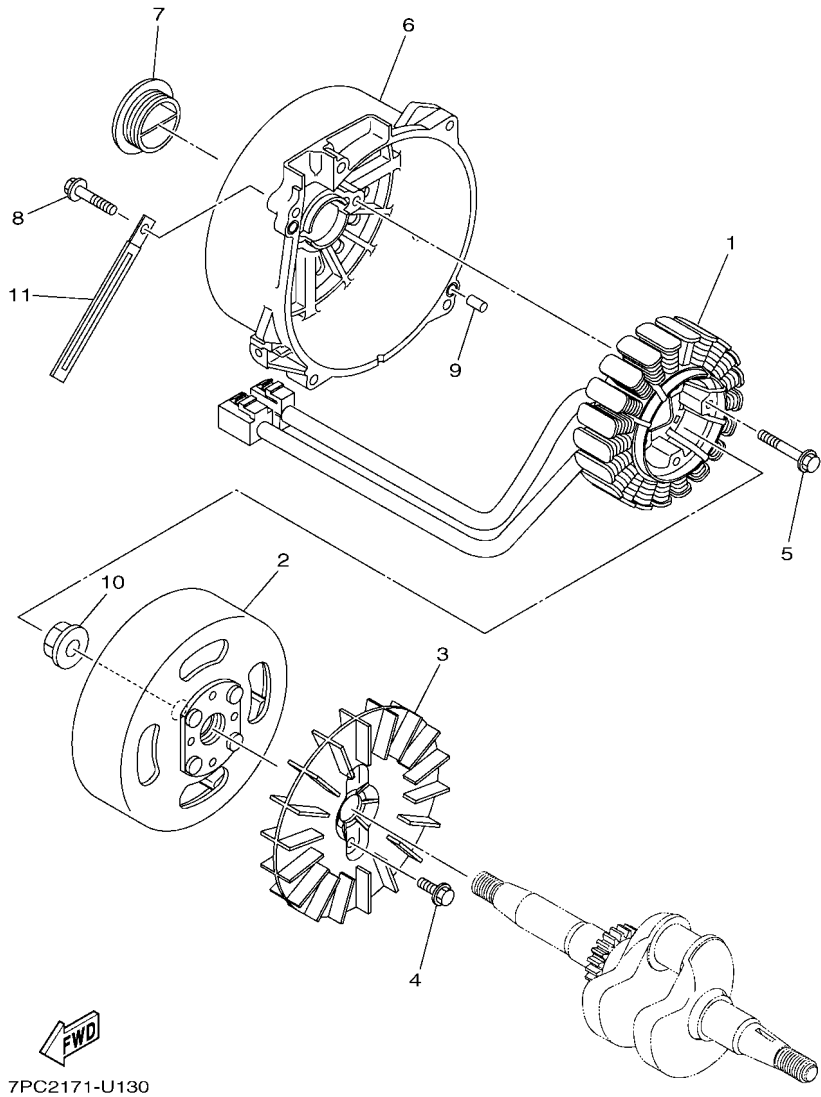
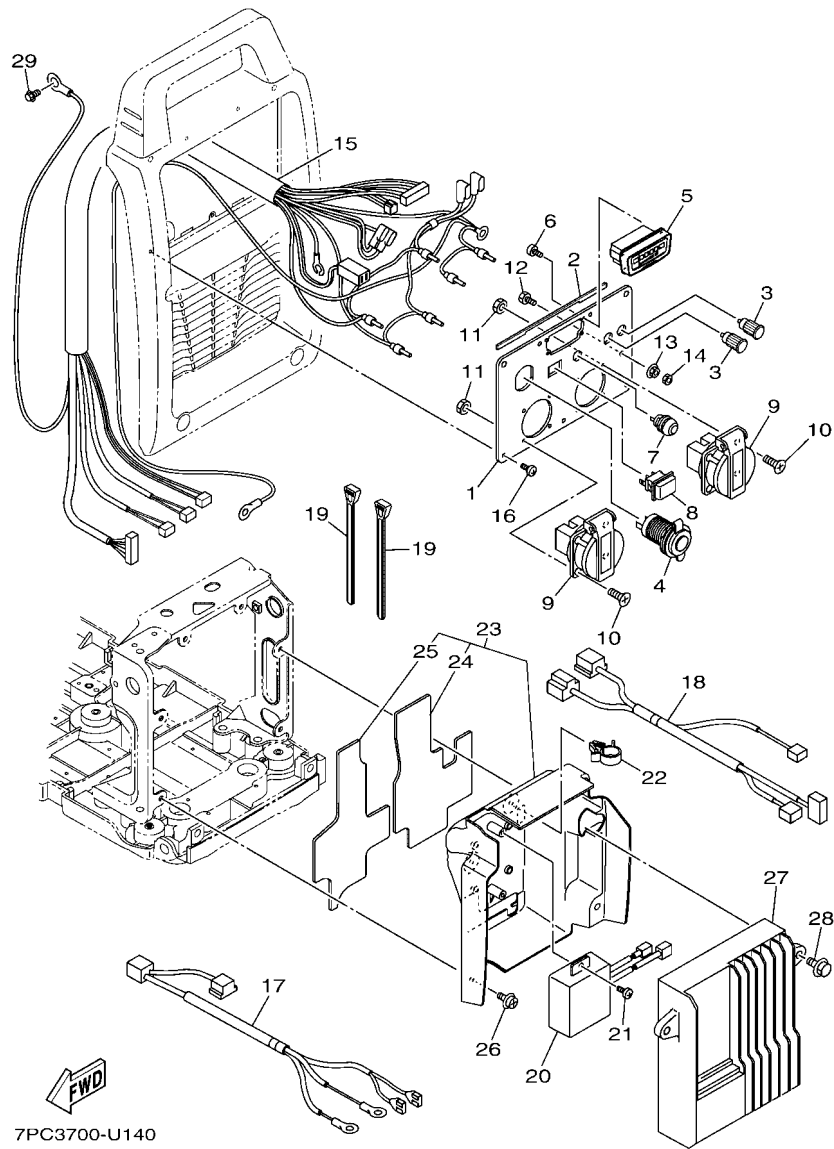


FIG. 13 GENERATOR

REF. NO.	PART NO.	DESCRIPTION	7PCS				REMARKS
1	7PC-H7150-30	STATOR ASSY	1				
2	7PC-H7160-00	ROTOR ASSY	1				
3	7PB-H7172-00	FAN, GENERATOR	1				
4	95802-06012	BOLT, FLANGE	2				
5	95822-06045	BOLT, FLANGE	4				
6	7PC-H7174-00	COVER, REAR END	1				
7	7PB-H4762-00	GROMMET	1				
8	95802-06030	BOLT, FLANGE	5				
9	99530-08012	PIN, DOWEL	2				
10	90179-12013	NUT	1				
11	90462-05061	CLAMP	1				

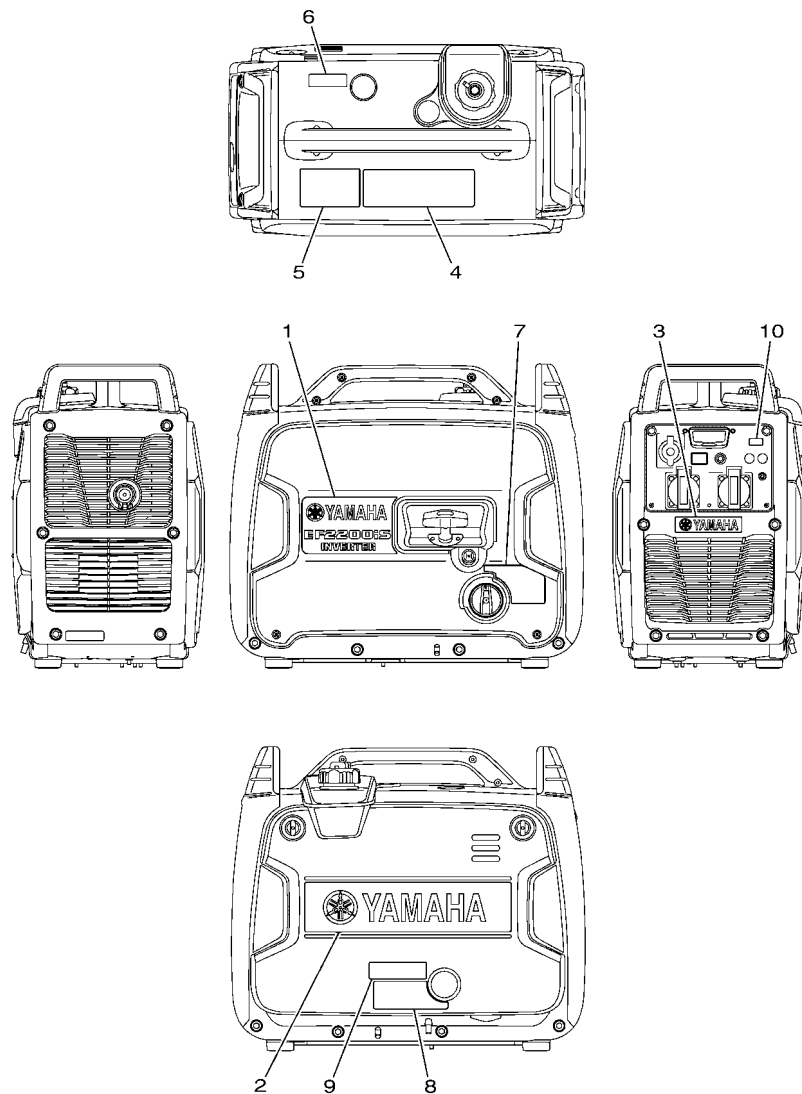


7PC3700-U140

FIG. 14 CONTROL BOX

REF. NO.	PART NO.	DESCRIPTION	7PCS				REMARKS
1	7PC-H7249-50	PLATE	1				
2	7PC-F289J-00	SEAL 20	1				
3	7PB-H7231-00	TERMINAL 1	2				
4	7PC-H254B-00	ACCESSORY SOCKET (DC-12V)	1				
5	7PC-H3500-10	METER ASSY	1				
6	97702-30110	SCREW, TAPPING	4				
7	7PC-H1870-00	STARTING SWITCH ASSY	1				
8	7C3-H2550-10	ENGINE STOP SWITCH	1				
9	7C2-H7221-90	RECEPTACLE 1 (15A 250V)	2				
10	90151-03032	SCREW, COUNTERSUNK	8				
11	90179-03800	NUT	8				
12	97080-05016	BOLT	1				
13	95702-05500	NUT, FLANGE	1				
14	95380-05700	NUT	1				
15	7PC-H722J-50	WIRE, LEAD	1				
16	97707-40516	SCREW, TAPPING	5				
17	7PC-H722W-00	WIRE, LEAD 6	1				
18	7PC-H7223-00	WIRE, LEAD 1	1				
19	90464-35805	CLAMP	2				
20	7PC-H721C-00	CONVERTER, AC-DC	1				
21	97702-50016	SCREW, TAPPING	2				
22	90464-12806	CLAMP	2				
23	7PC-F28G0-00	COVER ASSY 7	1				
24	7PC-F289F-00	.SEAL 17	1				
25	7PC-F289G-00	.SEAL 18	1				
26	90159-05839	SCREW, WITH WASHER	4				
27	7PC-HA210-20	CONTROL UNIT	1				

FIG. 15 GRAPHIC & EMBLEM



7PC3700-U150

REF. NO.	PART NO.	DESCRIPTION	7PCS				REMARKS
1	7PC-F4161-10	EMBLEM 1 (EF2200IS)	1				
2	7PC-F4161-30	EMBLEM 1 (YAMAHA)	1				
3	7PC-F153A-00	EMBLEM (YAMAHA)	1				
4	7PB-F4162-10	EMBLEM 2 (WARNING)	1				
5	7PB-F4877-00	LABEL, CAUTION (WARHING)	1				
6	7PB-F1696-10	LABEL, CAUTION (NOTICE)	1				
7	7PC-F4153-10	INDICATOR (ENGINE SW.)	1				
8	7PC-F4241-10	INDICATOR 1 (CABURETOR DRAIN C	1				
9	7PC-F415H-10	LABEL, WARNING (WARNING)	1				
10	7PB-H4306-30	LABEL, CAUTION	1				

NUMERICAL INDEX

PART NO.	REF. NO.	PART NO.	REF. NO.	PART NO.	REF. NO.	PART NO.	REF. NO.	PART NO.	REF. NO.	PART NO.	REF. NO.
7VV-24410-01	11 - 10	7PB-E4162-00	6 - 16	7PC-E5755-00	4 - 18	7PC-F4139-00	11 - 4	7PC-H7201-00	10 - 25	90501-20800	3 - 6
7RJ-24515-00	11 - 18	7BX-E4184-00	6 - 11	7DX-E5793-00	4 - 14	7PB-F413X-00	11 - 8	7PC-H721C-00	14 - 20	90520-03836	9 - 25
7XX-24521-00	11 - 17	7BX-E4185-00	6 - 13	7PC-F153A-00	15 - 3	7PC-F4141-00	11 - 2	7C2-H7221-90	14 - 9		10 - 19
7T0-24565-00	11 - 19	7PB-E4186-00	6 - 21	7PB-F1696-10	15 - 6	7PC-F414A-00	10 - 7	7PC-H7223-00	14 - 18	90520-03837	9 - 19
7DX-E1111-10	1 - 1	7BX-E4216-00	6 - 2	7PB-F1764-00	10 - 10	7PC-F4153-10	15 - 7	7PC-H722J-50	14 - 15		10 - 13
7DX-E1111J-00	1 - 12	7PB-E4227-00	6 - 15	7PC-F1778-00	9 - 11	7PC-F415H-10	15 - 9	7PC-H722W-00	14 - 17	90520-04816	10 - 14
7DX-E1166-10	1 - 11	7PB-E4243-00	6 - 9	7PB-F2218-00	9 - 10	7PC-F4161-10	15 - 1	7PB-H7231-00	14 - 3	90520-04818	10 - 15
7DX-E1179-00	1 - 3	7DX-E4401-10	5 - 7	7PB-F2275-00	9 - 9	7PC-F4161-30	15 - 2	7PC-H7249-50	14 - 1	90520-05800	4 - 4
7CY-E1181-00	1 - 4	7DX-E4412-10	5 - 8	7PB-F282E-00	9 - 16	7PB-F4162-10	15 - 4	7PC-HA210-20	14 - 27	90520-05801	4 - 7
7DX-E1190-10	1 - 8	7DX-E4416-10	5 - 14		10 - 9	7PB-F4167-00	11 - 6	90109-06278	9 - 29	90520-10849	10 - 6
7DX-E1351-00	1 - 9	7PB-E4429-00	6 - 6	7PC-F2855-00	10 - 8	7PC-F417E-00	11 - 31		10 - 34	90520-20824	9 - 14
7DX-E1400-10	2 - 1	7DX-E4451-10	5 - 9		10 - 23	7PB-F4181-00	11 - 12	90119-068C8	9 - 3	92902-05100	6 - 22
7DX-E1561-00	2 - 8	7DX-E4452-00	7 - 10	7PC-F286A-00	10 - 27	7PC-F4191-00	11 - 13	90149-05162	11 - 20	92902-05600	6 - 23
7CY-E1610-00	2 - 5	7DX-E4457-00	7 - 11	7PC-F2874-00	9 - 22	7PC-F4241-10	15 - 8	90151-03032	14 - 10	92902-12600	12 - 10
7CY-E1610-10	2 - 5	7DX-E4467-00	5 - 11	7PC-F2875-00	9 - 23	7PC-F4311-00	11 - 21	90154-06823	5 - 10	93102-20802	8 - 3
7CY-E1610-20	2 - 5	7BX-E4486-00	6 - 5	7PC-F2876-00	9 - 24	7PC-F4312-00	11 - 24	90159-05839	14 - 26		8 - 7
7DX-E1631-00-A0	2 - 4	7DX-E4613-00	7 - 7	7PC-F2878-00	9 - 26	7PC-F4313-00	5 - 1	90170-05806	3 - 12	93210-15803	8 - 9
7DX-E1633-00	2 - 6	7DX-E471C-20	7 - 9	7PC-F2879-00	10 - 4	7PC-F4314-00	8 - 15	90173-06008	5 - 16	93306-204YY	8 - 2
7DX-E1635-00	2 - 4	7PC-E4721-00	7 - 1	7PC-F2881-00	9 - 1	7PC-F4315-10	11 - 33		9 - 27		8 - 6
7DX-E1636-00	2 - 4	7DX-E472C-20	7 - 19	7PC-F2885-00	10 - 17	7PC-F4500-00	11 - 27	90179-03800	14 - 11	93450-13819	2 - 7
7DX-E1650-00	2 - 2	7DX-E4786-00	7 - 2	7PC-F2886-00	10 - 18	7PC-F450A-00	11 - 16	90179-12013	13 - 10	94702-00821	1 - 7
7DX-E1654-00	2 - 3	7PB-E4788-00	7 - 4	7PC-F2888-00	10 - 20	7PB-F4610-00	11 - 5	90183-05004	10 - 24	95302-06600	7 - 6
7DX-E2111-20	3 - 3	7CA-E4799-00	7 - 3	7PB-F2889-00	10 - 32	7PB-F4877-00	15 - 5		10 - 28	95302-12700	12 - 9
7DX-E2117-00	3 - 7	7CA-E479E-00	7 - 5	7PC-F2889-00	10 - 21	7DX-F5153-00	3 - 15		11 - 9	95380-05700	14 - 14
7DX-E2118-00	3 - 8	7PB-E4A41-00	6 - 10	7PB-F2891-00	9 - 6	7PC-F628J-00	10 - 33	90183-050A7	10 - 2	95602-05200	11 - 29
7DX-E2119-01	3 - 14	7PB-E4A42-19	6 - 7	7PC-F2891-00	9 - 7	7PB-F6331-00	6 - 24	90183-06827	5 - 15	95602-06615	1 - 2
7DX-E2121-20	3 - 4	7PB-E4A43-34	6 - 14	7PB-F2895-00	9 - 2	7PC-F637G-00	5 - 17		9 - 5	95702-05500	14 - 13
7DX-E2151-00	3 - 9	7PB-E4A81-00	6 - 12	7PC-F2897-00	10 - 29	7PC-H1870-00	14 - 7		9 - 13	95702-06500	5 - 13
7DX-E2153-00	3 - 5	7DX-E5111-10	8 - 1	7PC-F2899-00	10 - 30	7DX-H2300-00	12 - 4		10 - 3		9 - 8
7DX-E2154-10	3 - 13	7DX-E5123-00	8 - 13	7PC-F289A-00	10 - 31	7CN-H2370-00	12 - 5	90280-03045	12 - 11	95802-06010	11 - 34
7DX-E2156-00	3 - 10	7DX-E5363-00	8 - 8	7PC-F289F-00	14 - 24	7CP-H2372-00	12 - 8	90387-063K3	9 - 4		14 - 29
7CT-E2159-00	3 - 11	7DX-E5407-00	8 - 14	7PC-F289G-00	14 - 25	7PC-H254B-00	14 - 4	90387-068L2	7 - 18	95802-06012	13 - 4
7DX-E2180-12	3 - 1	7DX-E5411-11	8 - 5	7PC-F289H-00	9 - 15	7C3-H2550-10	14 - 8	90462-05061	13 - 11	95802-06016	4 - 2
7DX-E2287-00	3 - 2	7DX-E5451-10	8 - 10		10 - 5	7PB-H2915-00	6 - 4	90464-12806	14 - 22		4 - 17
7DX-E261D-00	4 - 5	7DX-E5494-10	7 - 12	7PC-F289J-00	14 - 2	7PC-H3500-10	14 - 5	90464-16805	12 - 7		11 - 11
7DX-E2621-10	4 - 1	7DX-E5495-00	7 - 15	7PC-F289K-00	10 - 22	7PB-H4306-30	15 - 10	90464-35805	14 - 19	95802-06020	5 - 12
7CP-E262J-00	4 - 6		7 - 21	7PC-F28A0-00	9 - 12	7PB-H4526-00	6 - 18	90467-08003	11 - 32		12 - 6
7DX-E2651-10	4 - 3	7DX-E5496-00	7 - 13	7PC-F28B0-00	9 - 21	7PB-H4762-00	13 - 7	90467-09804	5 - 2		14 - 28
7DX-E2685-20	7 - 20	7DX-E549D-00	7 - 14	7PC-F28C0-00	10 - 1	7DX-H5521-10	12 - 2	90467-09806	11 - 25	95802-06030	13 - 8
7DX-E2691-10	7 - 22	7DX-E5663-00	8 - 16	7PC-F28D0-00	10 - 16	7DX-H5550-10	12 - 1	90467-10803	11 - 26	95812-06012	9 - 28
7DX-E3556-20	5 - 5	7DX-E5710-00	4 - 8	7PC-F28F0-00	10 - 26	7PC-H5710-00	11 - 7	90467-10809	11 - 30	95822-06012	8 - 11
7DX-E3556-30	5 - 6	7CN-E5713-00	4 - 11	7PC-F28G0-00	14 - 23	7DX-H5720-00	12 - 12	90467-110A2	11 - 23		12 - 14
7DX-E3593-10	5 - 4	7DX-E5714-00	4 - 9	7PC-F3383-00	9 - 18	7DX-H5724-00	12 - 13	90467-12814	11 - 22	95822-06014	7 - 8
7DX-E3595-10	5 - 3	7CN-E5715-00	4 - 12	7PC-F3384-00	9 - 20	7PC-H6240-00	6 - 3	90480-01558	11 - 15	95822-06016	7 - 16
7PC-E4101-00	6 - 1	7DX-E5716-00	4 - 13		10 - 12	7PC-H7150-30	13 - 1	90480-01559	9 - 17	95822-06020	1 - 10
7PB-E4117-00	6 - 17	7DX-E5734-00	4 - 16	7PC-F3396-00	10 - 36	7PC-H7160-00	13 - 2		10 - 11		12 - 3
7BX-E4150-00	6 - 19	7CN-E5741-01	4 - 10	7PC-F4110-11	11 - 1	7PB-H7172-00	13 - 3	90480-12237	7 - 17	95822-06025	8 - 12
7BX-E4159-00	6 - 20	7DX-E5751-00	4 - 15	7PC-F4129-00	11 - 3	7PC-H7174-00	13 - 6	90480-13567	11 - 14	95822-06045	13 - 5

NUMERICAL INDEX

PART NO.	REF. NO.	PART NO.	REF. NO.	PART NO.	REF. NO.	PART NO.	REF. NO.	PART NO.	REF. NO.	PART NO.	REF. NO.
95822-06050	1 - 5										
95827-06016	10 - 37										
	10 - 38										
97080-05016	14 - 12										
97522-05520	11 - 28										
97607-05212	5 - 18										
	9 - 30										
	9 - 31										
	9 - 32										
	10 - 35										
	10 - 40										
97702-30110	14 - 6										
97702-50014	7 - 23										
97702-50016	14 - 21										
97707-40516	14 - 16										
97707-50516	10 - 39										
98502-05008	6 - 8										
99530-08012	1 - 6										
	8 - 4										
	13 - 9										