

**CASE IH STEIGER 350, 400, & 450 (2012 AND LATER) W/OUT CAST BUMPER
NEW HOLLAND T9.390, T9.450, T9.505, T9.560 W/OUT CAST BUMPER
TRACTOR STALK STOMPER
INSTALLATION**

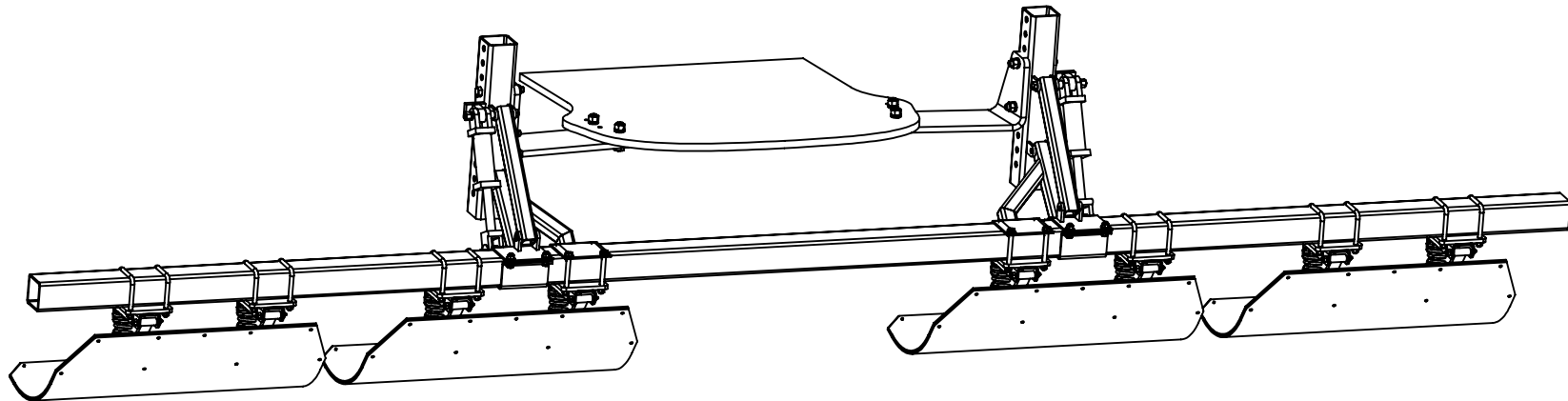
Safety Recommendations:

Prior to installation, removal or maintenance of May Wes Stalk Stompers, park tractor on level ground and lock the brakes. In addition, please follow all safety recommendations listed in the OEM owner's manual.

Installation:

- 1) Hold mount bracket #22415 up to the front right side of tractor frame matching the hole pattern in the bracket to existing hole locations in the tractor frame. Attach mount bracket to tractor using supplied M20 hardware.
- 2) Hold mount bracket #22416 up to the left right side of tractor frame matching the hole pattern in the bracket to existing hole locations in the tractor frame. Attach mount bracket to tractor using supplied M20 hardware.
- 3) Proceed to mounting the Lift Arm Assemblies using 3/4" hardware supplied with mount kit and instructions provided with each Lift Arm Kit.
- 4) Reference page 2 for Stalk Stomper positioning and mounting using the 1/2" hardware supplied with mount kit.

* All orientation references are from the operators position.



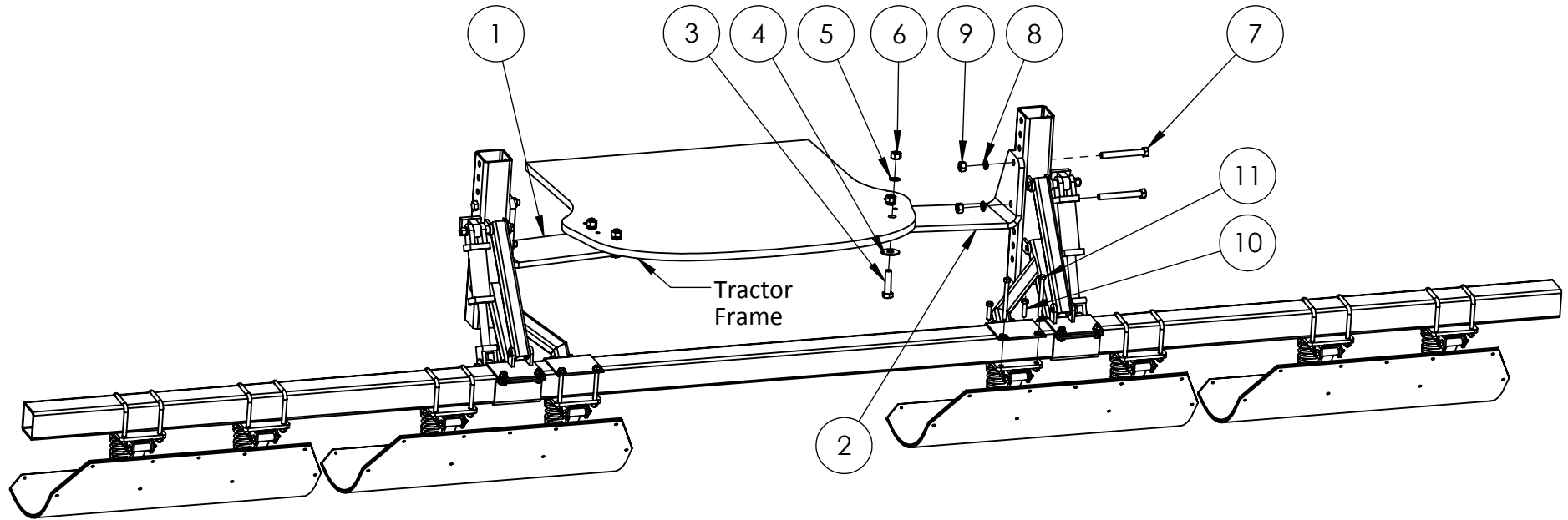
MAY WES
Original Poly People
A DIVISION OF PRIDE SOLUTIONS

120 Eastgate Drive SE
PO Box 7
Hutchinson, MN 55350

1-800-788-6483
1-320-587-2322
1-320-587-6112 (Fax)

WWW.MAYWES.COM

**CASE IH STEIGER 350, 400, & 450 (2012 AND LATER) W/OUT CAST BUMPER
 NEW HOLLAND T9.390, T9.450, T9.505, T9.560 W/OUT CAST BUMPER
 TRACTOR STALK STOMPER
 PARTS LISTING**



ITEM#	PART#	DESCRIPTION	QTY	ITEM#	PART#	DESCRIPTION	QTY
1	22415	MOUNT PLATE (RIGHT)	1	7	00033	BOLT, 3/4"-10 X 6" HEX	4
2	22416	MOUNT PLATE (LEFT)	1	8	00237	WASHER, 3/4" SPRING LOCK	4
3	01021	BOLT, M20-2.5 X 80MM HEX	4	9	00199	NUT, 3/4"-10 HEX	4
4	01022	WASHER, M20 FENDER, CLASS 10	4	10	00146	BOLT, 1/2"-13 X 2 HEX	4
5	01023	WASHER, M20 SPRING LOCK	4	11	00156	BOLT, 1/2"-13 X 5-1/2" HEX	4
6	01024	NUT, M20-2.5 HEX, CLASS 10	4				

NOTES:

1 Graphics are for reference only and do not represent final assembled height.



**120 Eastgate Drive SE
 PO Box 7
 Hutchinson, MN 55350**

**1-800-788-6483
 1-320-587-2322
 1-320-587-6112 (Fax)**

WWW.MAYWES.COM

**OPTIONAL TOOLBOX MOUNTING
(HARDWARE NOT INCLUDED)**



MAY WES
Original Poly People
A DIVISION OF PRIDE SOLUTIONS

120 Eastgate Drive SE
PO Box 7
Hutchinson, MN 55350

1-800-788-6483
1-320-587-2322
1-320-587-6112 (Fax)

WWW.MAYWES.COM