

CASE IH QUADTRAC 450, 500, 550, & 600 (2012 AND LATER)
TRACTOR STALK STOMPER
INSTALLATION

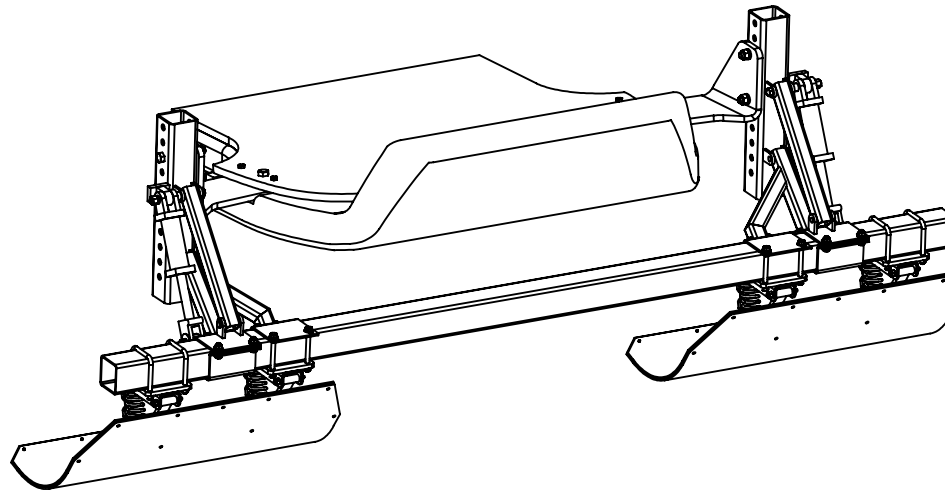
Safety Recommendations:

Prior to installation, removal or maintenance of May Wes Stalk Stompers, park tractor on level ground and lock the brakes. In addition, please follow all safety recommendations listed in the OEM owner's manual.

Installation:

- 1) Replace factory toolbox bracket on the right* side of tractor with 22355 (Mount Plate).
Reuse factory hardware for applications with cast bumper on the tractor (See Page 2).
Reuse factory hardware along with the 7/8" hardware provided with the kit for applications without the cast bumper on the tractor (See Page 3).
- 2) Replace factory toolbox bracket on the left* side of tractor with 22356 (Mount Plate).
Reuse factory hardware for applications with cast bumper on the tractor (See Page 2).
Reuse factory hardware along with the 7/8" hardware provided with the kit for applications without the cast bumper on the tractor (See Page 3).
- 3) Proceed to mounting the Lift Arm Assemblies using 3/4" hardware supplied with mount kit and instructions provided with each Lift Arm Kit.
- 4) Reference pages 2 and 3 for Stalk Stomper positioning and mounting using the 1/2" hardware supplied with mount kit.

* All orientation references are from the operators position.

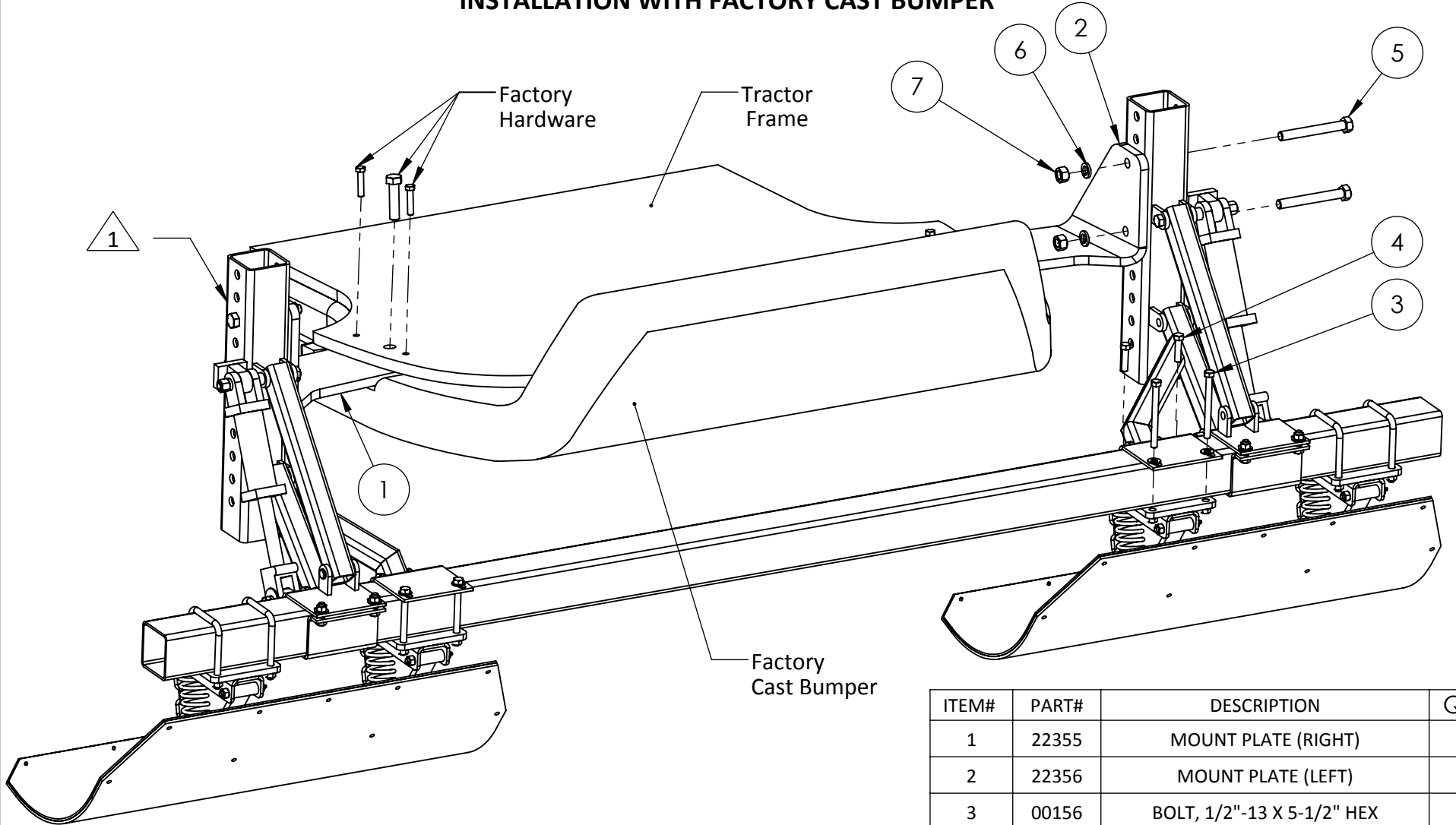


120 Eastgate Drive SE
PO Box 7
Hutchinson, MN 55350

1-800-788-6483
1-320-587-2322
1-320-587-6112 (Fax)

WWW.MAYWES.COM

INSTALLATION WITH FACTORY CAST BUMPER



NOTES:

1 Graphics are for reference only and do not represent final assembled height.

ITEM#	PART#	DESCRIPTION	QTY
1	22355	MOUNT PLATE (RIGHT)	1
2	22356	MOUNT PLATE (LEFT)	1
3	00156	BOLT, 1/2"-13 X 5-1/2" HEX	4
4	00146	BOLT, 1/2"-13 X 2 HEX	4
5	00033	BOLT, 3/4"-10 X 6" HEX	4
6	00237	WASHER, 3/4" SPRING LOCK	4
7	00199	NUT, 3/4"-10 HEX	4



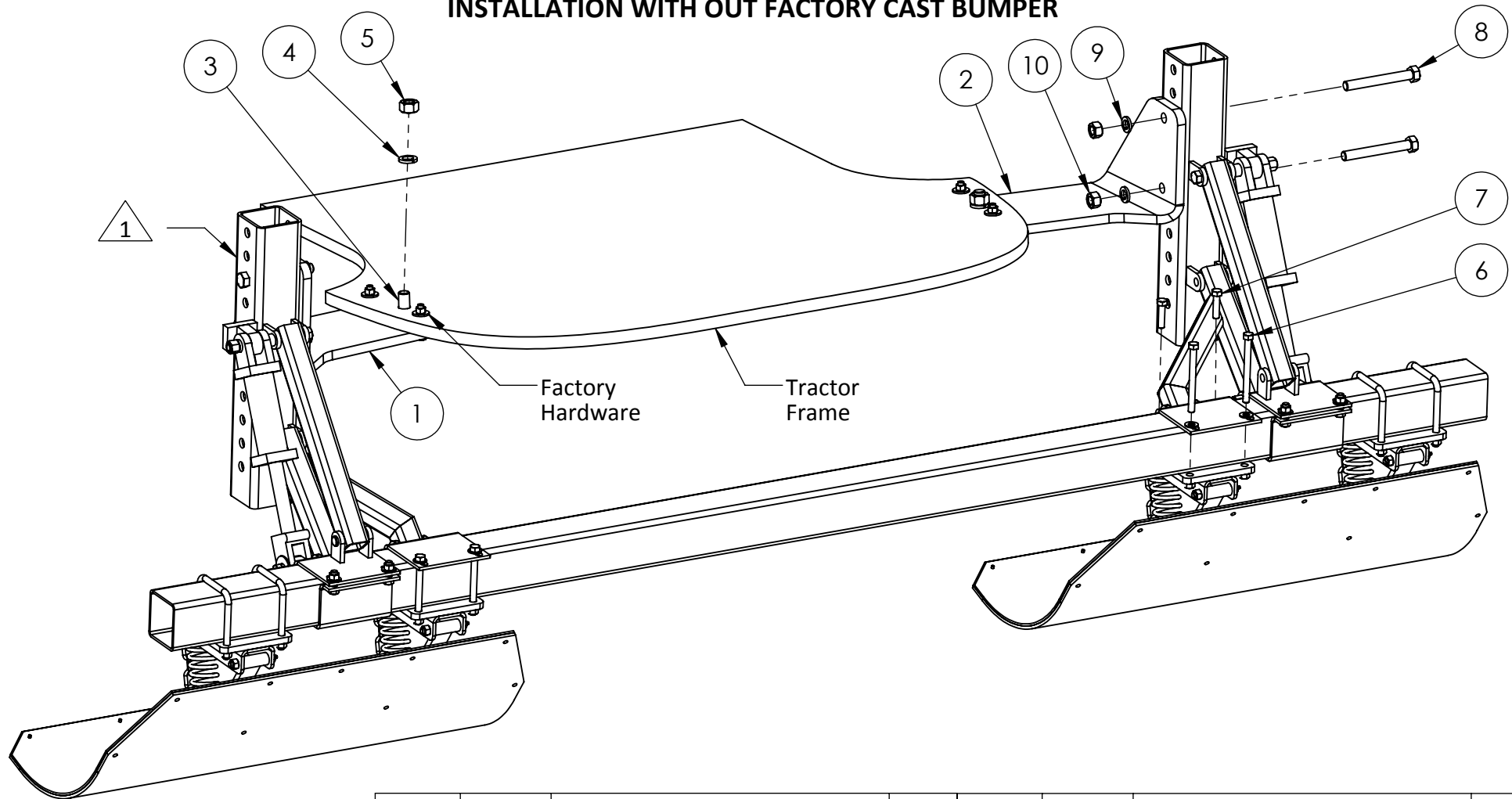
MAY WES
Original Poly People
 A DIVISION OF PRIDE SOLUTIONS

120 Eastgate Drive SE
 PO Box 7
 Hutchinson, MN 55350

1-800-788-6483
 1-320-587-2322
 1-320-587-6112 (Fax)

WWW.MAYWES.COM

INSTALLATION WITH OUT FACTORY CAST BUMPER



NOTES:

1 Graphics are for reference only and do not represent final assembled height.

ITEM#	PART#	DESCRIPTION	QTY	ITEM#	PART#	DESCRIPTION	QTY
1	22355	MOUNT PLATE (RIGHT)	1	6	00156	BOLT, 1/2"-13 X 5-1/2" HEX	4
2	22356	MOUNT PLATE (LEFT)	1	7	00146	BOLT, 1/2"-13 X 2 HEX	4
3	01015	BOLT, 7/8"-9 X 3" HEX	2	8	00033	BOLT, 3/4"-10 X 6" HEX	4
4	01017	WASHER, 7/8" SPRING LOCK	2	9	00237	WASHER, 3/4" SPRING LOCK	4
5	00201	NUT, 7/8"-9 HEX	2	10	00199	NUT, 3/4"-10 HEX	4



120 Eastgate Drive SE
 PO Box 7
 Hutchinson, MN 55350

1-800-788-6483
 1-320-587-2322
 1-320-587-6112 (Fax)

WWW.MAYWES.COM

**OPTIONAL TOOLBOX MOUNTING
(HARDWARE NOT INCLUDED)**



MAY WES
Original Poly People
A DIVISION OF PRIDE SOLUTIONS

120 Eastgate Drive SE
PO Box 7
Hutchinson, MN 55350

1-800-788-6483
1-320-587-2322
1-320-587-6112 (Fax)

WWW.MAYWES.COM