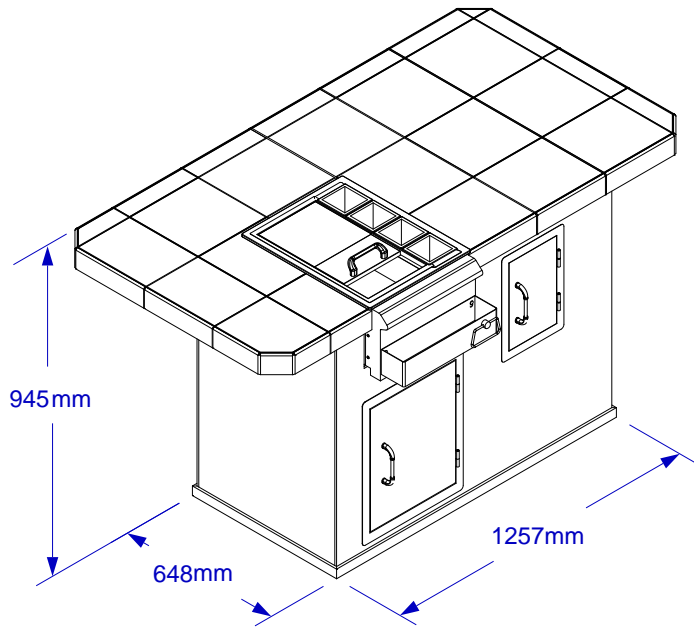
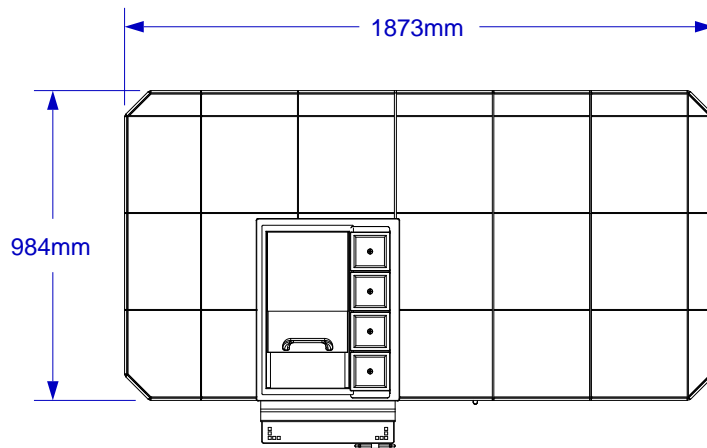


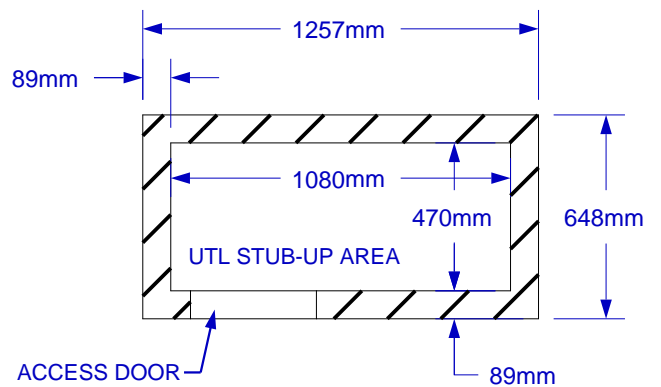
ITEM:
#31047 Stucco
#31048 Rock
POWER BAR
SPEC SHEET



ISOMETRIC VIEW



TOP VIEW



STUB-UP DIAGRAM
(SEE NOTE #2)

NOTES:

1. FOR ROCK FINISHES, ADD 39mm ON ALL BASE SIDES.
2. 153mm MAX HEIGHT ON ALL STUB-UPS.
3. SCALE: 1 : 24 (Printer page scaling none, do not use fit to printable area option)
4. REVISION: 10/2018