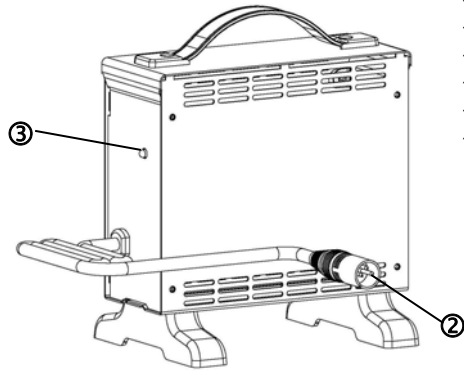


# BATTERY CHARGER INSTRUCTION - ENGLISH



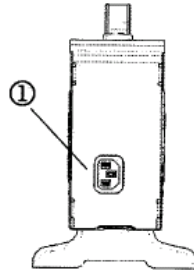
**MK BATTERY**  
**M-D-EN0801-08**

## 1. APPEARANCE



1. Power Cord
2. Output Plug to Battery
3. Indicator :
  - Green Flash : Power On
  - Orange Flash : Pre Charge
  - Orange : Charging
  - Green & Orange Flash : Charged 80%
  - Green : Full Charge
  - Red Flash : Defect

8A



## 2. SPECIFICATION

Item	BATTERY CHARGER (SWITCHING MODE)
Model	4C24080A
Output Current(DC)	8A±5%
Charging Voltage(DC)	28.8V±0.2V
Floating Voltage(DC)	27.6V±0.2V
Input Current (AC)	3.8A max.
Input Voltage(AC)	100 ~ 120 V 60Hz
Efficiency	AC-DC 85% min
Operating Temperature	0°C ~ 40°C
Switching Method	SWITCHING MODE
Charging Method	Constant current , two stage constant voltage
Battery Application	24V Lead Acid Rechargeable Battery (26Ahr ~ 75Ahr)
Output Detection	1.Short Circuit Protection 2.Reverse Power Protection 3.Overheat Protection 4.Charging Plug Protection
Operating Humidity	20% ~ 85 %
Measure	L 180mmxW 130mmxH 195mm
Weight	1.7K g
Color	Black

## 3. OPERATING INSTRUCTION

- (1) Make sure the battery charger output voltage is the same as the connecting battery.
- (2) Plug in the power cord. LED indicates green flash when AC power on.
- (3) Connect the battery charger to the battery.
- (4) Start charging ; please refer to 4. LED INDICATION.

## 4. LED INDICATION

- (1) Green Flash : Power on
- (2) Orange : Charging
- (3) Orange Flash : Pre charge
- (4) Green & Orange Flash : Charged 80%
- (5) Green : Full charged (Floating charge)
- (6) Red Flash : Defect

## 5. TROUBLE SHOOTING

- (1) If green indicator is off :
  - Check AC input. If it works normally, the battery charger may be defect.
- (2) If green indicator keeps flashing , can't turn to charging indication :
  - Check if the battery connect successfully.
  - Check if the output connection is short or open.
  - If the battery connection is normally , the battery charger may be defect.
- (3) If red indicator keeps flashing :
  - Check if the battery connection is reversed.
  - Check if the output connection is short or open.
  - Check if the environment temperature is too low (0°C).
  - If the red indicator still keeps flashing , the battery charger may be defect .
- (4) Charging indicator (orange) can't turn to Green :
  - The battery might defect , please stop charging and have the battery be repaired.
- (5) If the charging indicator (orange) turns green (fully charged) immediately :
  - The battery may be in well-charged condition.
  - If the battery is not fully charged, the battery may be defect .

## 6. CAUTION

- (1) Before using the battery charger, read all instructions and cautionary markings.
- (2) Use the battery charger in a well-ventilated area.
- (3) To avoid the risk of injury, charge only lead-acid or gel cell type rechargeable batteries.
- (4) Please turn off the power after charging.