

NIKOLA TESLA FLUX

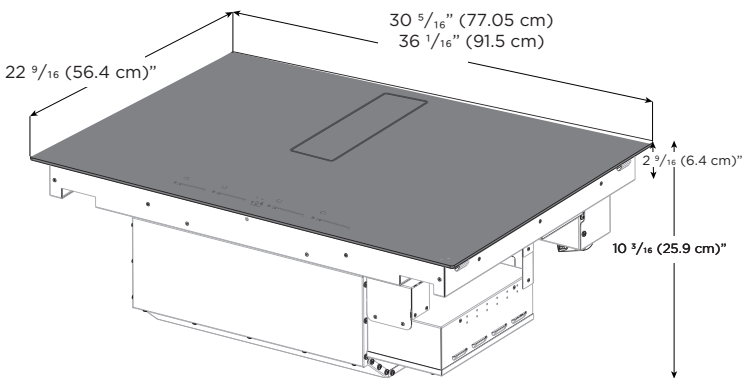


ELICA'S EXCLUSIVE PLUS FEATURES

Discover the future of efficient and safe cooking with Nikolatesla FLUX.

Induction technology that redefines your cooking experience. With an integrated aspiration system equipped with a powerful central fan of 600 CFM, it can reach very high-performance levels in terms of air capture, noise level, and energy efficiency.

Perfect to compliment any kitchen design, Nikola Tesla Flux is available in 30" & 36" widths.



- STOP & GO** - If you are interrupted while cooking, with just a single movement, pressing the Stop & Go button, you can switch off all the cooking zones and walk away with complete confidence and safety.
- DELAY SWITCH OFF** - A smart timer feature allows you to set the automatic switch-off of the hood after a predetermined time. Delayed shutdown may be used in order to leave the hood on even after cooking, so as to fully remove stubborn odors and residual humidity.
- TIMER** - Set the cooking time and start the countdown. At the end, the cooking area will be automatically switched off and a beep will sound. You can set independent timers on more than one area at the same time.
- TEMPERATURE MANAGER** - The cooktop can be used with two different standard programs (107° F & 158° F) to always ensure perfect cooking.
- POT DETECTOR** - The hob automatically detects the presence of the pot in the cooking area and provides heat only when it is correctly positioned.
- TOUCH CONTROLS** - Multifunction electronic touch control behind sleek black glass and illuminate red when activated.
- AIRMATIC** - intelligent sensor system detects the quantity - but above all the quality - of the fumes produced by the type of cooking and sets the most suitable aspiration power automatically.
- CHILD LOCK** - This avoids that the cooking or extraction areas are not accidentally switched on. The function can be enabled when the product is switched on but the cooking areas and extraction are switched off.
- TOTAL INTEGRATION** - The Total Integration products have been designed to be seamlessly integrated into the kitchen whilst maintaining harmony with the surroundings.
- WARMING MODE** - Designed for low temperature cooking, ideal for heating liquids without worrying about overheating. Keeps prepared food warm, while other foods are still cooking.
- BRIDGE ZONES** - Avoid heat to be progressively dispersed when using longer or larger pans, by joining two cooking areas into one single larger area. With the same power, uniform, and constant temperature.
- EASY MAINTENANCE** - All the components, such as the grease and odor filters, can be easily accessed and removed so they can be washed or rapidly replaced. Making it a low-maintenance product.
- LONG LIFE FILTER ++** - Reach maximum performance levels and guarantee odor filtering efficiency, which is much higher than average. To simplify maintenance operations and reduce environmental impact, they can be regenerated, lasting up to 3 to 5 years, thus avoiding frequent replacements and waste.
- CFM REDUCTION** - CFM Reduction System (CRS), is an exclusive feature to Elica hoods, which enables the user to reduce the maximum blower CFM (<300 CFMs), to meet local code requirements.

NIKOLATESLA FLUX

SPECIFICATIONS



Width:	30" UNIT	36" UNIT
Model:	ENF430BL	ENF436BL
Dimensions:	30 5/16" W x 22 9/16" D x 10 3/16" H	36 1/16" W x 22 9/16" D x 10 3/16" H
Cooking Zones:	4 Cooking Zones (3.7 kW) - 7 1/2" x 8 1/4"	
Heating Type:	Induction	
Heating Level:	10 Levels (9 + Boost, see details in chart below)	
Ventilation:**	4 speed (3 speed + Boost)	
Blower Type (internal):	600 CFM	
Noise (min-max):	1.5 - 6.8 Sones	
Grease filter :	4 Layer, Black Anodized Aluminum Mesh Grease Filter	
Finish:	Tempered, Ultra Deep Black Ceramic Glass	
Controls:	Electronic Glass Touch & Slide w/red illumination	
Installation Type:	Ducted Out or Recirculating w/kit	
Duct Transition:	3 1/4 x 10" rectangular or 6" Round (Included)	
Electrical:	220V - 60 Hz, 7.7 KW, 32 A	
Recirculating Kit:	KIT0192765 - (2 Ceramic Carbon Filters)	
WARRANTY***	Three (3) Years Parts & In-Home Labor.	



Cooking Level	Power (W)
Level 1	63 W
Level 2	105 W
Level 3	168 W
Level 4	252 W
Level 5	378 W
Level 6	588 W
Level 7	882 W
Level 8	1344 W
Level 9	2100 W
Booster	3700 W

Glass Specifications	
Material	Glass-ceramic cooking panel
Appearance	Deep - black color
Thickness	4mm
Color in reflexion	Black
Color in transmission	Amber
Surface structure	Though crystal smooth scratch and stain-resistant

*The product images shown are for illustration purposes and may not be an exact representation of the product.

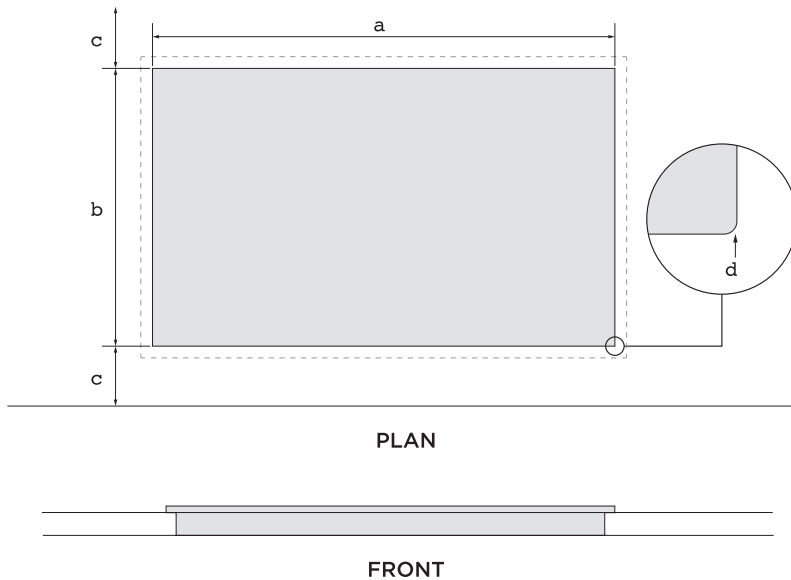
** CFM and Noise data indicates the performance of the hood blower tested in an open setting with .5 static pressure. For AHAM Certified Ratings, established in accordance with California Title 24 Standardized test procedure, please refer to AHAM Certified Product Directory. Electric Ratings are declared according to UL.

*** 3rd year awarded after product registration on elica.com. Register must be done within 3 months from purchase. For USA & Canada Only.

NIKOLATESLA FLUX

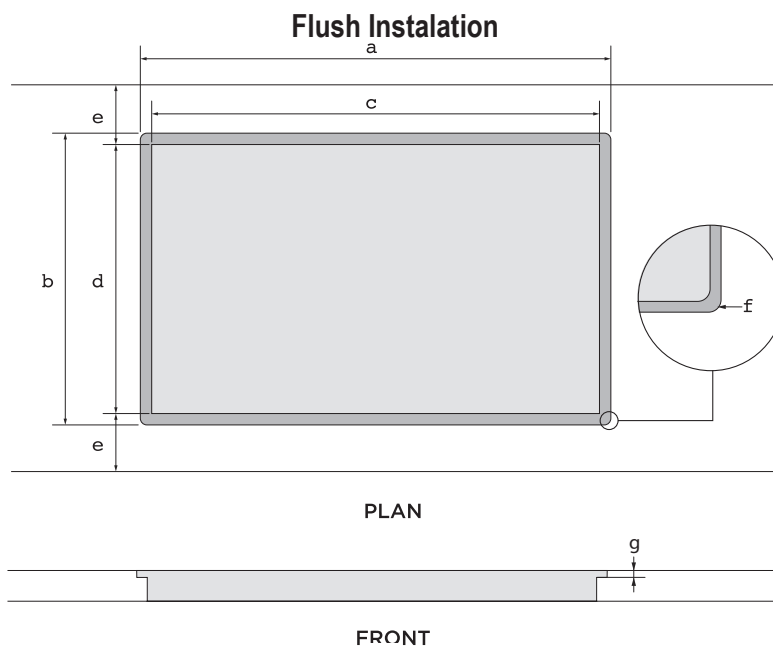
CUT OUT DIMENSIONS

SELF RIMMING INSTALLATION



	Model	Model
	ENF430BL	ENF436BL
a	28 ³ / ₄ " (73.03 cm)	34 ³ / ₈ " (87.79 cm)
b	21 ¹ / ₈ " (53.65 cm)	
c	2" (5.08 cm) minimum	
d	9 ¹ / ₃₂ " (0.71 cm)	

FLUSH MOUNTED INSTALLATION



	Modèle	Modèle
	ENF430BL	ENF436BL
a	30 ³ / ₁₆ " (77.65 cm)	36 ¹ / ₄ " (92.1 cm)
b	22 ⁷ / ₁₆ " (57.06 cm)	
c	28 ³ / ₄ " (73.03 cm)	34 ³ / ₈ " (87.79 cm)
d	21 ¹ / ₈ " (53.65 cm)	
e	2" (5.08 cm) minimum	
f	9 ¹ / ₃₂ " (0.71 cm)	
g	1 ¹ / ₄ " (0.65 cm)	