



INDOOR COOKING

Rangetop
KRT

Smart Rangetop
KRTS

Installation Manual

 HESTAN

HESTAN CUE™



WARNING

IF THE INFORMATION IN THIS MANUAL IS NOT FOLLOWED EXACTLY, A FIRE OR EXPLOSION MAY RESULT CAUSING PROPERTY DAMAGE, PERSONAL INJURY, OR DEATH.

Do not store or use gasoline or other flammable vapors and liquids in the vicinity of this or any other appliance.

WHAT TO DO IF YOU SMELL GAS:

1. Do not try and light any appliance.
2. Do not touch any electrical switch.
3. Do not use any phone in your building.
4. Immediately call your gas supplier from a neighbor's phone. Follow the gas supplier's instructions.
5. If you cannot reach your gas supplier, call the fire department.

Installation and service must be performed by a qualified installer, service agency, or the gas supplier.

READ THESE INSTRUCTIONS CAREFULLY AND COMPLETELY BEFORE INSTALLING OR USING YOUR APPLIANCE TO REDUCE THE RISK OF FIRE, BURN HAZARD, OR OTHER INJURY. KEEP THIS MANUAL FOR FUTURE REFERENCE.

SAFETY DEFINITIONS

WARNING

THIS INDICATES THAT DEATH OR SERIOUS INJURY MAY OCCUR AS A RESULT OF NOT OBSERVING THIS WARNING.

CAUTION

THIS INDICATES THAT MINOR OR MODERATE INJURY MAY OCCUR AS A RESULT OF NOT OBSERVING THIS WARNING.

NOTICE

THIS INDICATES THAT DAMAGE TO THE APPLIANCE OR PROPERTY MAY OCCUR AS A RESULT OF NOT OBSERVING THIS WARNING.

INSTALLER: LEAVE THIS MANUAL WITH THE OWNER OF THE APPLIANCE.
HOMEOWNER: RETAIN THIS MANUAL FOR FUTURE REFERENCE.

TABLE OF CONTENTS

1	SAFETY PRECAUTIONS - BEFORE YOU BEGIN
2	MODEL NUMBERS
3	RATING LABEL
3	REGULATORY / CODE REQUIREMENTS
3	LOCATION AND INSTALLATION / VENTILATION
7	BACKGUARD AND ACCESSORIES
8	ELECTRICAL CONNECTIONS
8	GAS CONNECTION
10	FINAL SETUP
12	SERVICE
12	APPENDIX

SAFETY PRECAUTIONS - BEFORE YOU BEGIN

When properly cared for, your Hestan appliance will provide safe, reliable service for many years. When using this appliance, basic safety practices must be followed as outlined below.

IMPORTANT: Save these instructions for the local Gas or Utility Inspector's use.

INSTALLER: Please leave these Installation Instructions with the owner.

OWNER: Please retain these Installation Instructions for future reference.

This rangetop is **NOT** designed for installation in manufactured (mobile) homes or recreational park trailers. Do **NOT** install this rangetop outdoors.

WARNING

ELECTRICAL SHOCK HAZARD

Disconnect power before installing or servicing appliance. Before turning power ON, be sure all controls are in the OFF position. Failure to do so can result in electrical shock or death.

ELECTRICAL GROUNDING

This appliance must be grounded. Grounding reduces the risk of electric shock in the event of a short circuit. Read the ELECTRICAL CONNECTIONS section of this manual for complete instructions.

This appliance is equipped with a 3-prong grounding plug for your protection against shock hazard and should be directly plugged into a properly grounded receptacle. Do not cut or remove the grounding prong from this plug.

ELECTRICAL SUPPLY

The appliance must be on its own dedicated circuit - 120 VAC, Single Phase, 60 Hz, with a current rating of 15 Amps. Have the installer show you where the electric circuit breaker is located so you know how to shut off the power to this appliance. It is the responsibility of the user to have the appliance connected by a licensed electrician in accordance with all local codes, or in the absence of local codes, in accordance with the National Electrical Code. Read the ELECTRICAL CONNECTIONS section of this manual for complete details.

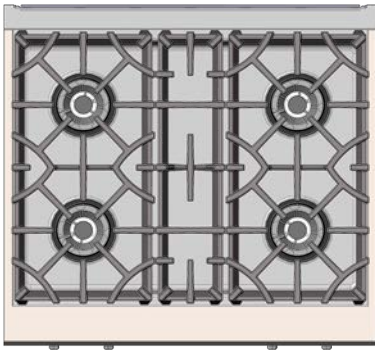


MODEL NUMBERS

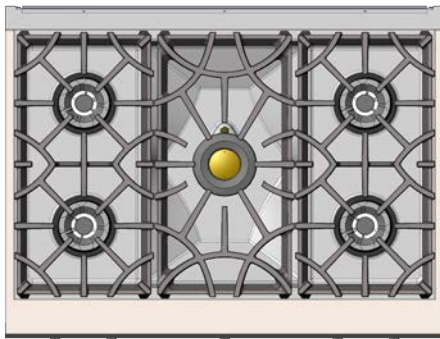
RANGETOP MODELS

EN

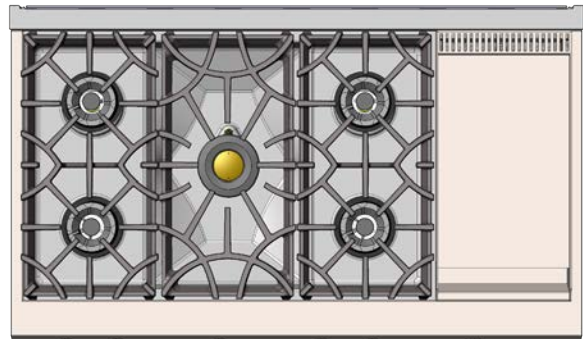
MODEL NO.	DESCRIPTION	CIRCUIT BREAKER REQUIRED
KRT304-NG / -LP	30" RANGETOP WITH 4 BURNERS	15 Amp
KRT365-NG / -LP	36" RANGETOP WITH 5 BURNERS	15 Amp
KRTS365-NG / -LP	36" RANGETOP WITH 4 BURNERS + 1 SMART BURNER™	15 Amp
KRT364GD-NG / -LP	36" RANGETOP WITH 4 BURNERS & GRIDDLE	15 Amp
KRT485GD-NG / -LP	48" RANGETOP WITH 5 BURNERS & 12" GRIDDLE	15 Amp
KRT484GD-NG / -LP	48" RANGETOP WITH 4 BURNERS & 24" GRIDDLE	15 Amp



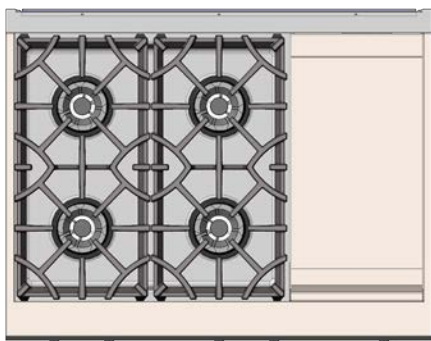
KRT304



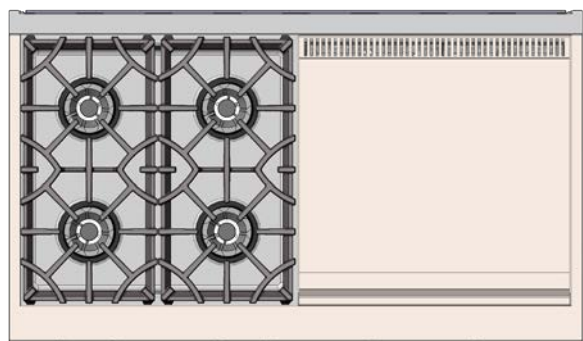
KRT365/KRTS365



KRT485GD



KRT364GD



KRT484GD

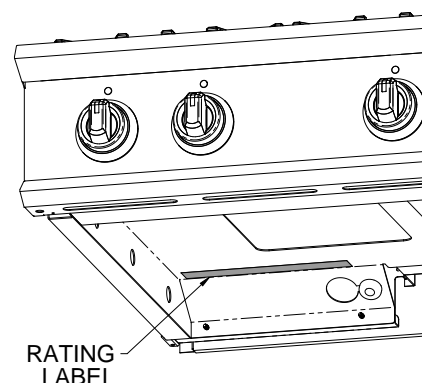
RATING LABEL

The rating label contains important information about your Hestan appliance such as the model and serial number, gas type and manifold pressure, electrical rating, the BTU rating for each burner type, and the minimum installation clearances.

The rating label is located underneath the unit.

If service is necessary, contact Hestan Customer Care with the model and serial number information shown on the label.

HESTAN COMMERCIAL CORP. ANAHEIM, CA - USA		MODEL / MODELE		SER. NO. / NO. SER.		PATENTED: http://www.hestanhome.com/patents.pdf	
VOLTS Hz 60		BURNER RATINGS (BTU/HOUR)				MIN. CLEARANCES (DÉGAGEMENTS)	
OUTLET PRESSURE (PRESSION SORTIE)		FRONT BURNER (BRÛLEUR AVANT)	CENTER BURNER (BRÛLEUR CENTRE)	REAR BURNER (BRÛLEUR ARRIÈRE)	SPIRAL PLAZA (CHAUFRAS)	COMBUSTIBLE	NON-COMBUSTIBLE
PHASE 1						6"	0"
AMPS						12"	0"



EN

REGULATORY / CODE REQUIREMENTS

Installation of this cooking appliance must be made in accordance with local codes. In the absence of local codes, this unit should be installed in accordance with the National Fuel Gas Code *ANSI Z223.1/NFPA 54*, Natural Gas and Propane Installation code *CSA B149.1*, or Propane Storage and Handling Code *B149.2*.

All Electrical Components must be electrically grounded in accordance with local codes or in the absence of local codes with the National Electrical Code *ANSI/NFPA 70*, or Canadian Electrical code *CSA C22.1*.

STATE OF MASSACHUSETTS

Massachusetts requires all gas be installed using a plumber or gas fitter carrying the appropriate Massachusetts license. All permanently installed natural gas or propane installations require a T handle type manual gas valve be installed in the gas supply line to this appliance. Flexible gas connector must not be longer than 36" [91.4 cm].

CALIFORNIA PROPOSITION 65 - WARNING



WARNING This product can expose you to chemicals including carbon monoxide, which is known to the State of California to cause birth defects or other reproductive harm. For more information, go to www.P65Warnings.ca.gov.

LOCATION AND INSTALLATION / VENTILATION

UNPACKING AND PLACEMENT

Remove the outer carton and packing materials. Do not remove the plastic film covering the stainless-steel surfaces. This film protects the finish from scratches until the appliance is installed in its final position.

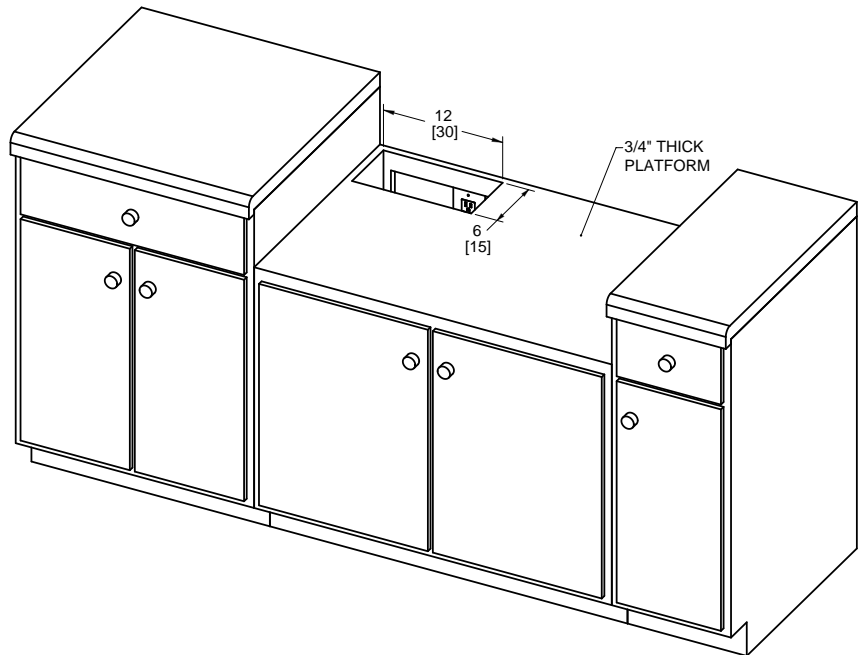
The unit is somewhat heavy and should be handled with care. Use proper safety equipment, such as gloves, and at least 2 persons to move the appliance into position to avoid injury and to avoid damage to the floor or the appliance itself.

LOCATION AND INSTALLATION/VENTILATION (CONTINUED)

PREPARATION

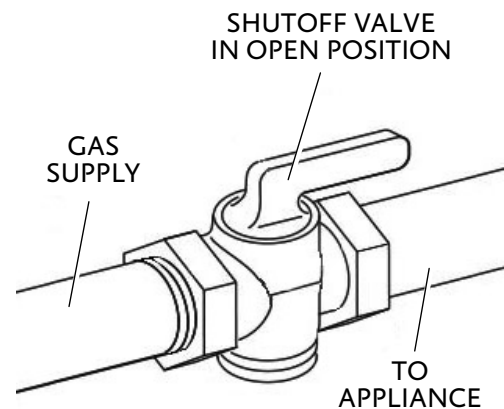
Before moving the rangetop, remove the grates, burner caps, and any other loose items.

The rangetop must be mounted on a stable platform, as illustrated here and on the following pages. The platform must include a 6" x 12" [15 x 30 cm] cutout at the left rear to allow for the gas and electrical connections. The platform must also be level to ensure an even cooking surface, especially for those models featuring a griddle. The platform should be a minimum of 3/4" [19 cm] thick to support the weight of the unit. For large units 48" [1.2m] and wider, a center structural element inside the cabinet, under the platform, may be necessary.



GAS AND ELECTRICAL SUPPLY CLEARANCES

If not already in place, install a gas shut-off valve in an easily accessible location for servicing of the rangetop. Make sure all users of the rangetop know where this shut-off is located, and how to shut off the gas. Any openings in the wall or floor behind the appliance must be sealed. The Installation Clearances on the following pages show where the "G" and "E" zones should be located.



CABINETS

To eliminate the risk of burns or fire by reaching over heated surface units, cabinet storage space located above the surface units should be avoided. If cabinet storage is to be provided, the risk can be reduced by installing the required vent hood that projects horizontally a minimum of 5" [12.7 cm] beyond the bottom of the cabinets.

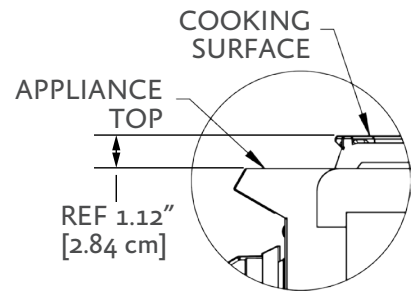
LOCATION AND INSTALLATION/VENTILATION (CONTINUED)

LEVELING

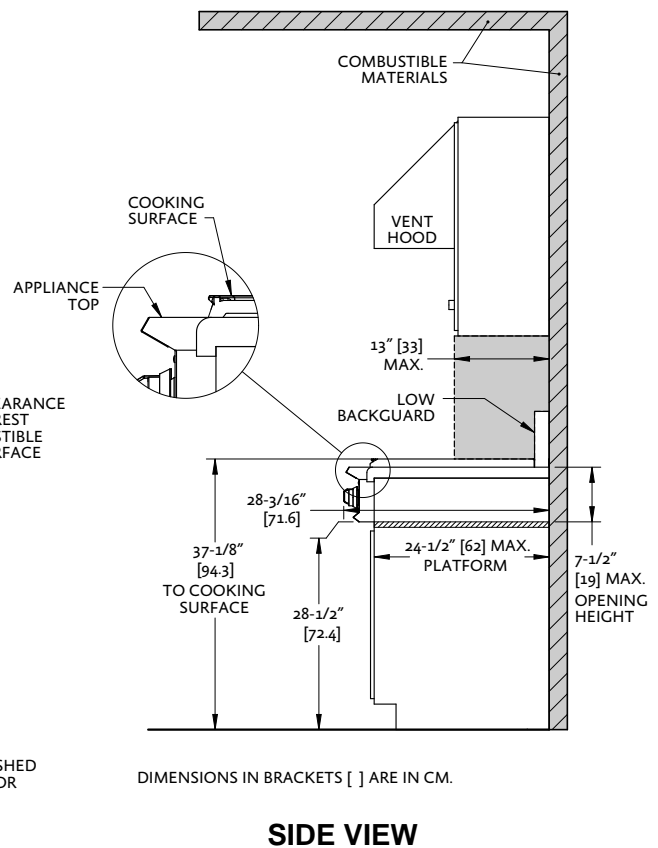
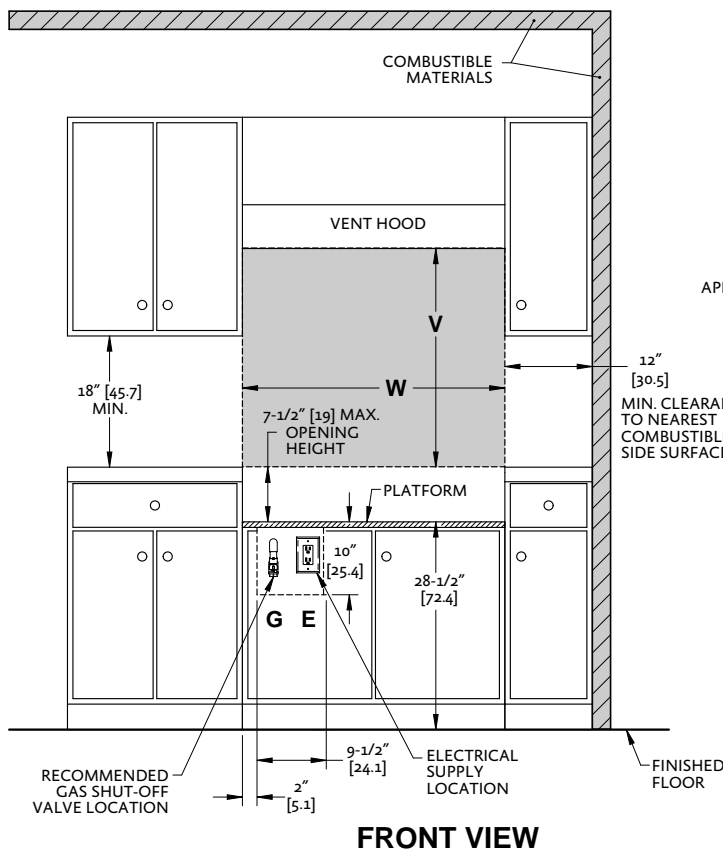
The rangetop must be level, especially those models featuring a griddle. Raise to the desired height by placing shims underneath the unit as needed.

CAUTION

The appliance top must be level or higher than the adjacent countertop surfaces. Failure to adjust the height may expose the adjacent cabinets to excessive heat which may damage the cabinets or countertop.



INSTALLATION CLEARANCES WITH LOW BACKGUARD



NOTES:

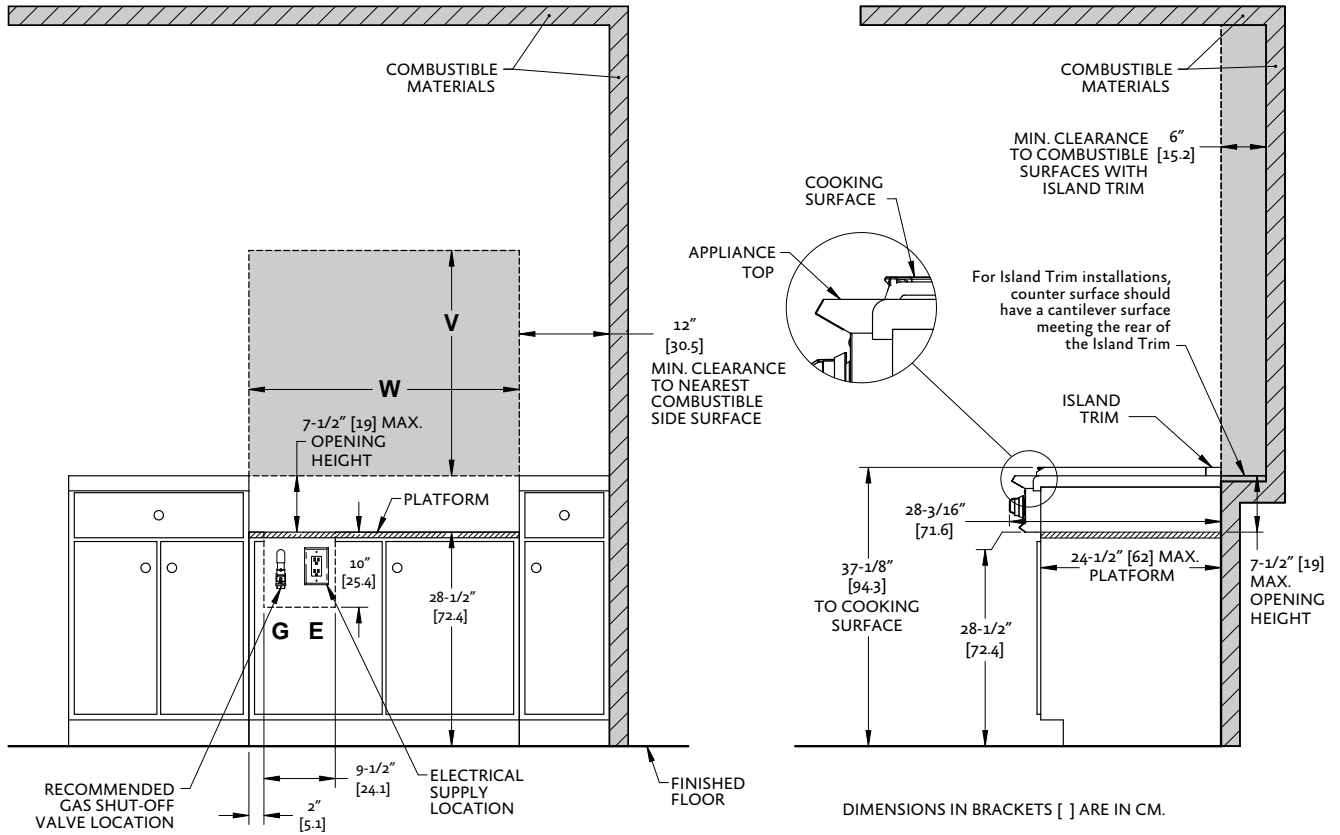
- * SHADED AREAS INDICATE WHERE COMBUSTIBLE MATERIALS ARE NOT ALLOWED.
- * APPLIANCE TOP MUST BE LEVEL OR HIGHER THAN THE ADJACENT COUNTERTOP SURFACES.
- * "G" IS GAS CONNECTION ZONE ON REAR WALL. MOUNT SHUT-OFF VALVE AS HIGH AS POSSIBLE IN THIS ZONE FOR EASY ACCESS WHEN RANGETOP IS INSTALLED.
- * "E" IS ELECTRICAL SUPPLY ZONE.
- * "W" IS APPLIANCE OPENING.
- * "V" IS MIN. CLEARANCE TO REQUIRED VENTILATION HOOD.

RANGETOP MODEL	W	V (MIN)
KRT304	30" [76.2]	30" [76.2]
KRT365/KRTS365	36" [91.4]	30" [76.2]
KRT364GD	36" [91.4]	30" [76.2]
KRT485GD	48" [121.9]	30" [76.2]
KRT484GD	48" [121.9]	30" [76.2]

LOCATION AND INSTALLATION/VENTILATION (CONTINUED)

EN

INSTALLATION CLEARANCES WITH ISLAND TRIM



FRONT VIEW

SIDE VIEW

NOTES:

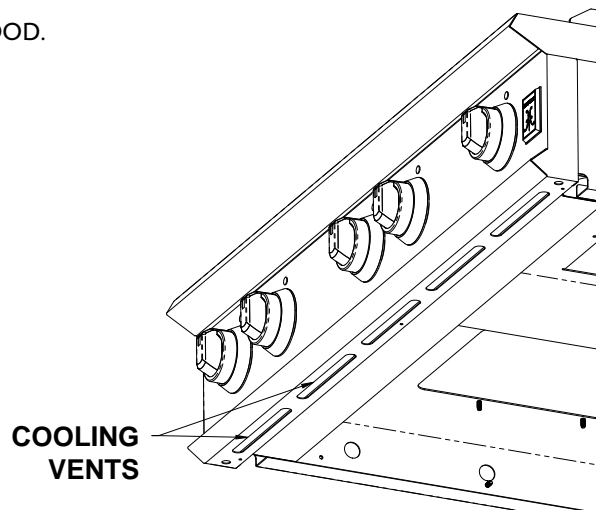
- * SHADED AREAS INDICATE WHERE COMBUSTIBLE MATERIALS ARE NOT ALLOWED.
- * APPLIANCE TOP MUST BE LEVEL OR HIGHER THAN THE ADJACENT COUNTERTOP SURFACES.
- * "C" IS GAS CONNECTION ZONE ON REAR WALL. MOUNT SHUT-OFF VALVE AS HIGH AS POSSIBLE IN THIS ZONE FOR EASY ACCESS WHEN RANGETOP IS INSTALLED.
- * "E" IS ELECTRICAL SUPPLY ZONE.
- * "W" IS APPLIANCE OPENING.
- * "V" IS MIN. CLEARANCE TO REQUIRED VENTILATION HOOD.

RANGETOP MODEL	W	V (MIN)
KRT304	30" [76.2]	30" [76.2]
KRT365/KRTS365	36" [91.4]	30" [76.2]
KRT364GD	36" [91.4]	30" [76.2]
KRT485GD	48" [121.9]	30" [76.2]
KRT484GD	48" [121.9]	30" [76.2]

FRONT COOLING VENTS

NOTICE

When placing your rangetop in the cabinet, DO NOT BLOCK or obstruct the front cooling vents shown. These vents allow air into the appliance to keep the internal electronic parts cool.



LOCATION AND INSTALLATION/VENTILATION *(CONTINUED)*

VENTILATION REQUIREMENTS

A vent hood is **REQUIRED** above this appliance. It is strongly recommended that this appliance be installed with a Hestan vent hood. Due to the high heat output of this rangetop, it is very important that the hood and ductwork installation meets local building codes and is installed by a qualified technician.

Do not use a down-draft style ventilation system.

Do not mount a microwave oven/ventilator combination above the rangetop. These type of units do not have sufficient airflow to remove the high heat output of this rangetop and were not tested with this type of appliance.

For non-Hestan approved vent hoods, the vent hood and/or blower unit must be rated for 1 CFM [1.7 m³/hr] for every 100 BTU [.03 kW].

- If the rangetop has a 12" Griddle, add an additional 200 CFM [340 m³/hr] to the blower capacity.
- If the rangetop has a 24" Griddle, add an additional 400 CFM [680 m³/hr] to the blower capacity.

For island applications, it is recommended to use a vent hood that is 6" [15.2 cm] wider than the appliance, to allow for 3" [7.6 cm] of overlap on the left and right of the appliance.

Keep duct runs as short and straight as possible. Elbows and transition fittings reduce airflow efficiency. Hestan recommends keeping the duct run under 50 ft. [15.2 m].

CONSULT WITH YOUR HESTAN DEALER ON SELECTING THE APPROPRIATE VENT HOOD FOR YOUR HESTAN APPLIANCE.

BACKGUARD AND ACCESSORIES

▲CAUTION

Sheetmetal accessories such as the backguard, and areas at the rear of the rangetop may have sharp edges. Wear work gloves while handling and installing these items.

BACKGUARD

Your Hestan rangetop is supplied at the factory with an Island Trim backguard. See Table 1 in the APPENDIX section of this manual for other backguard options available from your Hestan dealer. Selection of the appropriate backguard depends on the installation location and adjacent materials, and the type of vent hood to be used. Installation instructions are included with the backguard kit. **A LOW OR TALL BACKGUARD IS REQUIRED WHEN INSTALLING THE RANGETOP AGAINST A COMBUSTIBLE SURFACE - THE ISLAND TRIM IS NOT SUITABLE.**

▲CAUTION

The top of the backguard serves as an exhaust vent to remove heat from under the rangetop. **DO NOT BLOCK** or obstruct the top of the backguard. **DO NOT** touch the top of the backguard during appliance operation as it may get hot. Allow sufficient time to cool before touching or cleaning this area. **DO NOT** position plastic or other heat-sensitive items nearby which could melt or burn.

ELECTRICAL CONNECTIONS

⚠️ WARNING

ELECTRICAL SHOCK HAZARD

Disconnect power before installing or servicing appliance. Before turning power ON, be sure all controls are in the OFF position. Failure to do so can result in electrical shock or death.



ELECTRICAL GROUNDING

This appliance must be grounded. Grounding reduces the risk of electric shock in the event of a short circuit. Grounding through the neutral conductor is prohibited for new branch circuit installations (1996 NEC), mobile homes, and recreational vehicles, or in an area where local codes prohibit it. Your Hestan rangetop is equipped with a 3-prong, grounding type plug which must be plugged into a grounded, 3-prong 120V receptacle.

⚠️ CAUTION

Improper grounding or reverse polarization will cause malfunctions in the unit, such as continuous sparking of the igniters. This can damage the appliance and create a shock hazard condition.

ELECTRICAL CONNECTION

The receptacle must be on its own dedicated circuit - 120 VAC, Single Phase, 60 Hz, with a current rating of 15 Amps. If this is not available, a licensed electrician must install the appropriately dedicated and grounded receptacle. The installation must be done in accordance with local codes, or in the absence of local codes, it must be installed in accordance with the National Electrical Code, ANSI/NFPA 70.

1. Make sure power is off at the supply panel / breaker.
2. Plug the appliance into the wall receptacle. Secure extra appliance cord out of the way so it cannot be snagged on items under your rangetop.
3. Before restoring power at the supply panel / breaker, be sure all controls are in the OFF position.

GAS CONNECTION

GAS SUPPLY

The local gas authority or supplier should be consulted at the installation planning stage in order to establish the availability of an adequate supply of gas (NG or LP). If it is a new installation, have the gas authorities or supplier check the meter size and piping to assure that the unit is supplied with the necessary amount of gas supply and pressure to operate the unit(s).

Gas connections should be made by a qualified plumber, or your professional appliance installer.

All appliances must be fitted with an accessible upstream gas shutoff valve as a means of isolating the appliance for emergency shut off and for servicing.

Make certain new piping and connections have been made in a clean manner and have been purged so that piping compound, chips, etc. will not clog regulators, valves, orifices, or burners. Use pipe joint compound / thread sealant approved for natural and LP gases.

The appliance and its individual manual shutoff valve must be disconnected from the gas supply piping system during any pressure testing of that system at test pressures in excess of 1/2 psi [3.5 kPa].

The appliance must be isolated from the gas supply piping system by closing its individual manual shutoff valve during any pressure testing of that system at test pressures equal to or less than 1/2 psi [3.5 kPa].

NEVER CONNECT THE APPLIANCE TO AN UNREGULATED GAS SUPPLY. Before proceeding, ensure the appliance is fitted for Natural or Liquid Propane gas. Connecting to an improper gas type will result in poor performance and increased risk of damage or injury. Gas type and gas consumption (BTU per hour) for each burner type is shown on the rating label.

GAS CONNECTION (CONTINUED)

Installation of this cooking appliance must be made in accordance with local codes. In the absence of local codes, this unit should be installed in accordance with the National Fuel Gas Code No. Z223.1/ NFPA 54, Natural Gas and Propane Installation code CSA B149-1, or Propane Storage and Handling Code B149.2.

EN

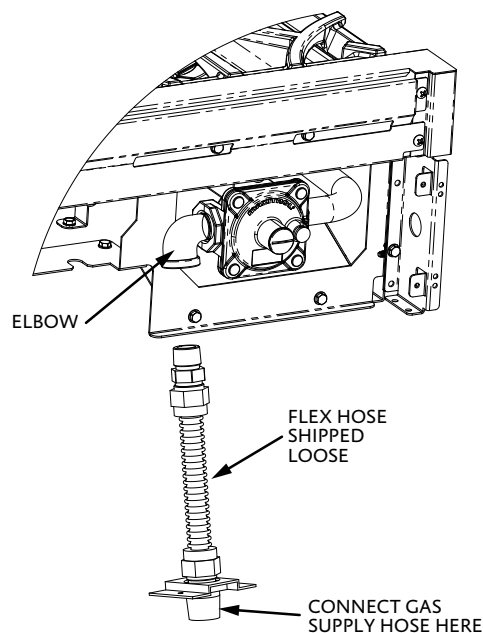
NOTE: See rating label for manifold pressure for the type of gas of your appliance.

CONNECTING THE GAS

Rangetop units have the regulator installed at the factory. However, a short flex hose is shipped loose in the accessory box with other items and must be installed. The installer must temporarily remove the rear cover to make the connection. Connect the short flex hose to the elbow on the regulator inlet as shown here. Use the appropriate thread sealant on the connections.

Connect the gas supply to the other end of the short flex hose as shown here. Use a minimum $\frac{3}{4}$ " inside diameter (1" OD) flexible (semi-rigid) stainless steel gas hose (not included) with appropriate fittings to prevent gas starvation. This hose should be no more than 36" [91.4 cm] in length. Use the appropriate thread sealant on all connections, except flare fittings. Please perform the leak check before re-installing the rear cover.

The supply line must not interfere with the rear of the rangetop. Use caution when pushing the rangetop against the back wall, so that you do not kink or crimp any hoses as this could result in a gas leak. If there is a cabinet or other storage below the rangetop, be sure no items can interfere or bump into the gas hoses.



INTERNAL REGULATOR CONNECTION

CONVERSION KITS

In the event your Hestan appliance needs to be converted from NG to LP, or vice-versa, you will need to contact Hestan Customer Service to arrange a service call. This conversion should only be performed by a qualified technician.

HIGH ALTITUDE KITS

If you live in a high altitude area, 2,000 ft. [610 m] or more above sea level, your appliance may require different orifices for proper combustion and performance. You will need to contact Hestan Customer Service to arrange a service call. High Altitude kits must be installed by a qualified technician. Please have your model and serial number information ready when you call.

GAS CONNECTION (CONTINUED)

GAS CONNECTION - NATURAL GAS (NG)

To ensure proper heating performance of this appliance, verify that the gas line supply pressure is adequate. The appliance is supplied with a gas pressure regulator already installed. This regulator is set for a supply (inlet) pressure of 7-14 inch WC [1.74-3.48 kPa] to maintain 5 inch WC [1.24 kPa] nominal outlet (manifold) pressure.

Ensure that the service pipe supplying the appliance is fitted with a shut-off valve conveniently positioned and easily accessible as an emergency gas shut-off.

GAS CONNECTION - LIQUID PROPANE (LP)

If you purchased an LP version of your appliance, it will be supplied with a gas pressure regulator already installed. This regulator is set to maintain 10 inch WC [2.49 kPa] nominal outlet (manifold) pressure. Ensure that the service pipe supplying the appliance is fitted with a shut-off valve conveniently positioned and easily accessible as an emergency gas shut-off.

When connecting to LP gas, verify the tank is equipped with its own high pressure regulator. The pressure of the gas supplied to the appliance must be 11-14 inch WC [2.74-3.48 kPa].

LEAK TESTING

GENERAL

Although all gas connections on your Hestan appliance are leak tested at the factory prior to shipment, a complete gas tightness check must be performed at the installation site due to possible movement in shipment, or excessive pressure unknowingly being applied to parts of the unit.

Immediately check if the smell of gas is detected. Leak testing of the appliance shall be conducted according to these instructions:

BEFORE TESTING

DO NOT SMOKE WHILE LEAK TESTING.

- Never leak test with an open flame.
- Make a soap solution of one part liquid detergent and one part water for leak testing purposes.
- Apply the solution to the gas fittings and flex hose by using a spray bottle or a brush.

TO TEST

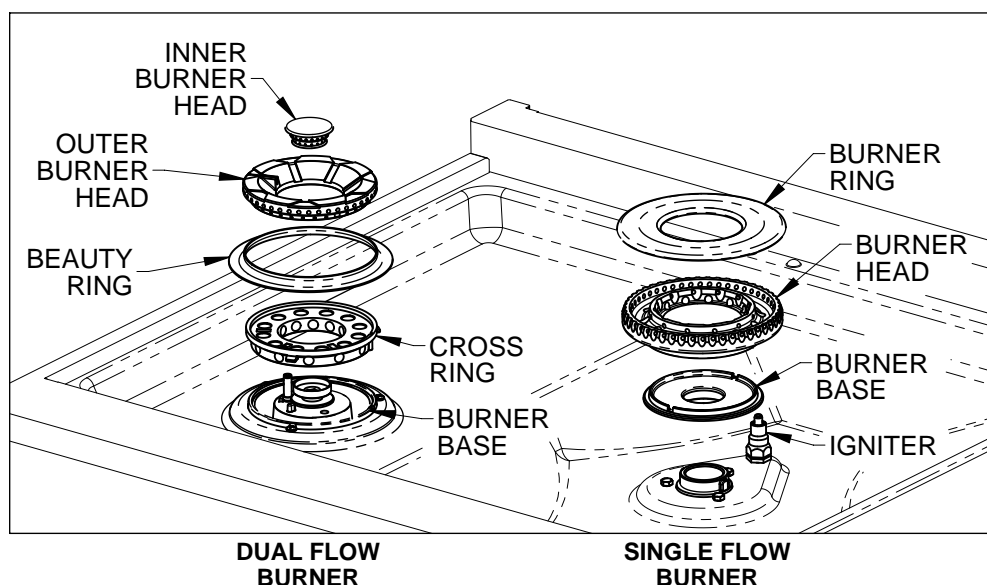
- Make sure all control knobs are in the "OFF" position.
- Apply the soap solution to all fittings and flex hose.
- Turn the gas supply on.
- Check all connections from the supply line up to regulator connection at the rear of the appliance.
- Soap bubbles will appear where a leak is present. If a leak is present, immediately turn off gas supply, tighten any leaking fittings, turn the gas supply back on, and recheck.
- If you cannot stop a gas leak, turn off the gas supply and call the dealer where you purchased your appliance.
- Do not use the appliance until all connections have been checked and do not leak.

FINAL SETUP

Remove any final packaging materials, and protective film from all exterior areas. Install any loose items like sealed burner heads, cooking grates, etc. Ensure the sealed burner heads are properly installed and seated on the burner base as shown below. There are notches on the burner base and cross ring to help with alignment. The outer burner head features a long slot on the top of the head which aligns with the spark igniter. Assembly of the single-flow burner head is similar.

FINAL SETUP (CONTINUED)

EN



Before testing operation of the appliance, verify the leak check was performed and the electrical power has been restored to the unit. Turn the gas shut-off valve to the open position.

NOTICE

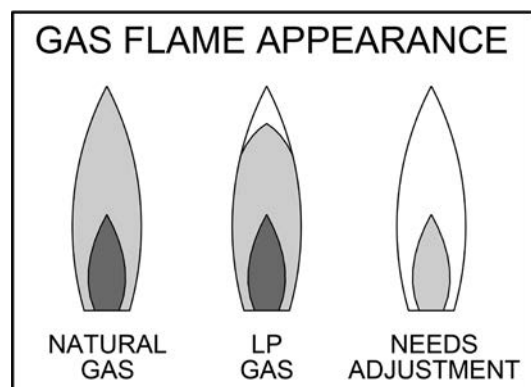
All the control knobs must be in the OFF position to prevent unintended operation at power up. DO NOT ATTEMPT TO USE THE RANGETOP DURING A PROLONGED POWER FAILURE.

Verify ignition at each burner. Igniter will make a clicking sound until the flame lights within 4 seconds, then the clicking will stop. Check flame characteristics at each burner per the descriptions below. Flames should be stable and not dance or lift off the burner ports. Flame may need to burn for a few minutes to purge the gas lines of impurities. These appear as intermittent orange tips or even tiny sparks in the flame. This is normal and the flame will eventually stabilize like those shown in the image below.

If after a few minutes the flames continue to burn mostly yellow, verify that the burner head is properly installed on the base, then retest. Use caution when handling the burner heads. They can be very hot.

Turn down the control knob to the simmer setting to check function.

Check each burner individually, then check they operate satisfactorily with other burners on.



Light blue flame - Natural gas normal flame
Light blue flame with yellow tips - LP gas normal flame
Yellow flame - Needs adjustment

If after all the above tests still result in mostly yellow flames, or the burners do not light, contact Hestan customer service to schedule a service call.

FINAL SETUP (CONTINUED)

GAS GRIDDLE

The gas griddle does not have flame/burner adjustments. Turn the control knob to HIGH, verify that the griddle heats up. You may also notice a constant orange glow at the rear vents of the griddle area. This is normal during operation of the griddle.

Turn all burners off when testing is complete.

UNITS EQUIPPED WITH SMART BURNER™

Consult the Use & Care manual supplied with this appliance for instructions on how to use this special control knob which uses Bluetooth® wireless technology.

APPENDIX

RANGE MODEL	BACKGUARD MODEL	DESCRIPTION
KRT304	KBGIT30*	BACKGUARD, ISLAND TRIM, 30"
	KBGLB30	BACKGUARD, LOW BACK, 30"
	KBGHS30	BACKGUARD, HIGH SHELF, 30"
KRT365/KRTS365	KBGIT36*	BACKGUARD, ISLAND TRIM, 36"
	KBGLB36	BACKGUARD, LOW BACK, 36"
	KBGHS36	BACKGUARD, HIGH SHELF, 36"
KRT364GD	KBGIT36*	BACKGUARD, ISLAND TRIM, 36"
	KBGLB36	BACKGUARD, LOW BACK, 36"
	KBGHS36	BACKGUARD, HIGH SHELF, 36"
KRT485GD	KBGIT48*	BACKGUARD, ISLAND TRIM, 48"
	KBGLB48	BACKGUARD, LOW BACK, 48"
	KBGHS48	BACKGUARD, HIGH SHELF, 48"
KRT484GD	KBGIT48*	BACKGUARD, ISLAND TRIM, 48"
	KBGLB48	BACKGUARD, LOW BACK, 48"
	KBGHS48	BACKGUARD, HIGH SHELF, 48"