



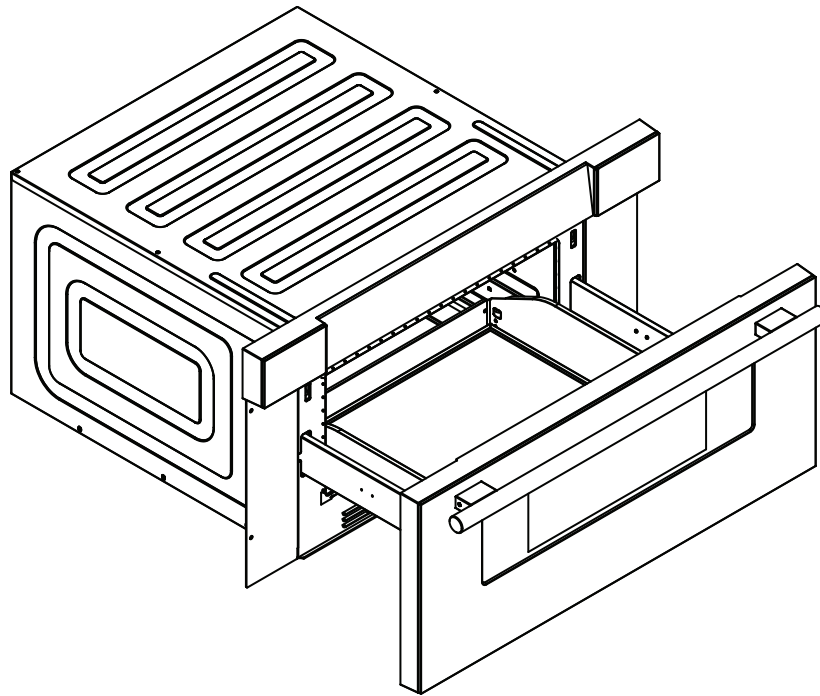
MICROWAVE DRAWER
MODEL NUMBER SERIES
FMWDR3000-30 | FMWDR3000-30BLK | FMWDR3000-30WHT
INSTRUCTION MANUAL

Read these instructions carefully before using your microwave, and keep it carefully.
If you follow the instructions, your microwave will provide you with many years of good service.

TABLE OF CONTENTS

Customer Care	4
Warning	5
Important Safety	6
Name Of Parts	7
Ground Instruction	7
Radio Interference	8
Kitchen Utensils:	8
• Materials You Can Use In Microwave.....	9
• Materials To Avoided In Microwave.....	9
Clearance And Dimensions:	10
• Anti-Tip Block Installation Instructions.....	11
Drawer Installation	12
Packing List	13
Operation:	14
• Clock Setting.....	14
• Kitchen Timer.....	14
• Time Cook.....	14
• Add 30sec.....	14
• Weight Defrost Function.....	15
• Time Defrost Function.....	15
• Popcorn.....	15
• Sensor Reheat.....	15
• Sensor Cook.....	15
• Beverage.....	16
• Melt.....	16
• Soften.....	16
• Multiple Cook.....	17
• Buzzer On/Off.....	17
• Lock Function For Children.....	17
• Eco Mode.....	17
• Inquiring Function.....	17
Troubleshooting	18
Warranty	19

MICROWAVE DRAWER



MODEL NUMBER SERIES

FMWDR3000-30 | FMWDR3000-30BLK | FMWDR3000-30WHT

Customer Care

Thank you for purchasing a Frono product. Please read the entire instruction manual before operating your new appliance for the first time. Whether you are an occasional user or an expert, it will be beneficial to familiarize yourself with the safety practices, features, operation and care recommendations of your appliance.

Both the model and serial number are listed inside the product. For warranty purposes, you will also need the date of purchase .

Product Information

Model Number : _____

Serial Number : _____

Date of Purchase : _____

Purchase Address And Phone : _____

Service Information

Use these numbers in any correspondence or services calls concerning your product.

If you received a damaged product, immediately contact Forno.

To save time and money, before you call for serviced, check the troubleshooting guide. It listed the causes of minor operation problems that you can correct yourself.



“Need some quick help? Simply scan the qr code and get access to our fast support form. We’re always here to assist you with any questions or concerns you may have. So, don’t hesitate to reach out!”

Services in Canada and Untied States

Keep the instruction manual handy to answer your questions. If you don’t understand something or need more assistance, please visit our website for fast support. Please provide us your name, number, address,serial number of the product that troubleshooting, proof of purchase, and a short description of the issue. A customer service representative will contact you as soon as possible. All warranty work needs to be authorized by FORNO customer service. All our authorized service providers are carefully selected and rigorously trained by us.



WARNING
FOR YOUR SAFETY

PRECAUTIONS TO AVOID POSSIBLE EXPOSURE TO EXCESSIVE MICROWAVE ENERGY

- (a) **DO NOT** attempt to operate this microwave with the door open since operation can result in harmful exposure to microwave energy. It is important not to defeat or tamper with the safety interlocks.
- (b) **DO NOT** place any object between the microwave front face and the door or allows soil or cleaner residue to accumulate on sealing surfaces.
- (c) **DO NOT** operate the microwave if it is damaged. It is particular important that the microwave door close properly and that there is no damage to the:
- (1) DOOR (bent)
 - (2) HINGES AND LATCHES (broken or loosened)
 - (3) DOOR SEALS AND SEALING SURFACE
- (d) The microwave should not be adjusted or repaired by anyone except properly qualified service personnel.

SPECIFICATIONS	
Model	FMWDR3000-30 FMWDR3000-30BLK FMWDR3000-30WHT
Rated Voltage	120 VAC, 60 Hz
Microwave Input	1500 W
Microwave Output	1000 W



WARNING : This product can expose you to chemicals including [Lead, lead and lead compound, which is [are] known to the state of California to cause cancer and birth defects or other reproductive harm. For more information go to www.P65Warning.ca.gov.

Important Safety

When using electrical appliances basic safety precautions should be followed, to reduce the risk of burns, electric shock, fire, injury to persons or exposure to excessive microwave energy.

1. Read all instructions before using the appliance.
2. Read and follow the specific: "PRECAUTIONS TO AVOID POSSIBLE EXPOSURE TO EXCESSIVE MICROWAVE ENERGY" found on page 4.
3. This appliance must be grounded. Connect only to properly grounded outlet. See "GROUNDING INSTRUCTIONS" found on page 6.
4. Install or locate this appliance only in accordance with the provided installation instructions.
5. Some products such as whole eggs and sealed containers - for example, closed glass jars - are able to explode and should not be heated in this microwave.
6. Use this appliance only for its intended use as described in the manual. **DO NOT** use corrosive chemicals or vapors in this appliance. This type of microwave is specifically designed to heat, cook or dry food. It is not designed for industrial or laboratory use.
7. **HOT CONTENTS CAN CAUSE SEVERE BURNS. DO NOT ALLOW CHILDREN TO USE THE MICROWAVE.** Use caution when removing hot items.
8. **DO NOT** operate this appliance if it has a damaged cord or plug, if it is not working or if it has been damaged or dropped.
9. This appliance should be serviced only by qualified service personnel. Contact nearest authorized service facility for examination, repair, or adjustment.
10. **DO NOT** cover or block any openings on the appliance.
11. **DO NOT** store this appliance outdoors. **DO NOT** use this product near water - for example, near a kitchen sink, in a wet basement, near a swimming pool, or similar location.
12. **DO NOT** immerse cord or plug in water.
13. Keep cord away from heated surface.
14. **DO NOT** let cord hang over edge of table or counter.
15. When cleaning surfaces of door and microwave that comes together on closing the door, use only mild, nonabrasive soaps, or detergent applied with a sponge or soft cloth.
16. To reduce the risk of fire in the microwave cavity
 - 1). **DO NOT** overcook food. Carefully attend appliance when paper, plastic, or other combustible materials are placed inside the microwave to facilitate cooking.
 - 2). Remove wire twist-ties from paper or plastic bag before placing bag in microwave.
 - 3). If material inside of the microwave ignite, keep microwave door closed, turn microwave off, and disconnect the power cord, or shut off power at the fuse or circuit breaker panel.
 - 4). **DO NOT** use the cavity for storage purposes. **DO NOT** leave paper products, cooking utensils, or food in the cavity when not in use.
17. Liquids, such as water, coffee, or tea are able to be overheated beyond the boiling point without appearing to be boiling. Visible bubbling or boiling when the container is removed from the microwave is not always present. **THIS COULD RESULT IN VERY HOT LIQUID SUDDENLY BOILING OVER WHEN THE CONTAINER IS DISTURBED OR A UTENSIL IS INSERTED INTO THE LIQUID.**

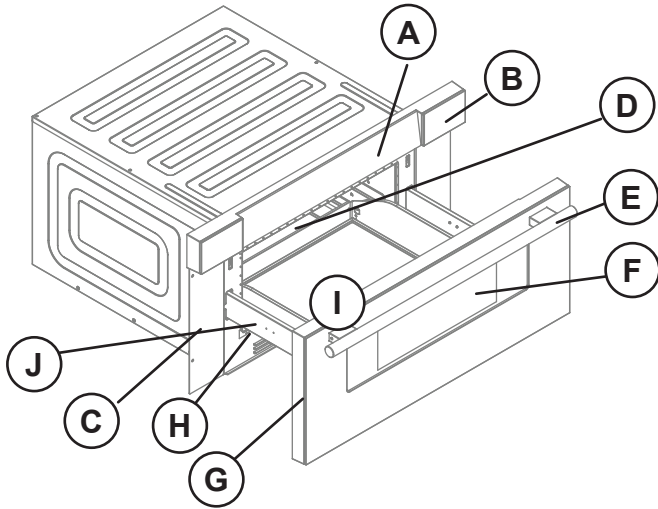
To reduce the risk of injury to persons:

 - 1) **DO NOT** overheat the liquid.
 - 2) Stir the liquid both before and halfway through heating it.
 - 3) **DO NOT** use straight-sided containers with narrow necks.
 - 4) After heating, allow the container to stand in the microwave for a short time before removing the container.
 - 5) Use extreme care when inserting a spoon or other utensil into the container.
18. **DO NOT** operate any heating or cooking appliance beneath the appliance.
19. **DO NOT** mount unit over or near any portion of heating or cooking appliance.
20. **DO NOT** mount over sink.
21. **DO NOT** store anything directly on top of the appliance surface when the appliance is in operation.

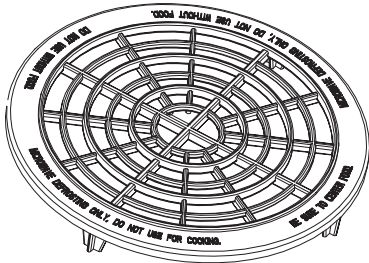
SAVE THESE INSTRUCTIONS

Names of Parts

Remove the microwave and all materials from the carton and microwave cavity. Your microwave comes with the following accessories:



- A. Control patch
- B. Control Box
- C. Mounting Plate
- D. Cavity
- E. Handle
- F. Windows
- G. Door Frame
- H. Automatic putter
- I. Drawer
- J. Hinge Joint Board



Defrosting Rack

(Can only be used in defrosting function. **DO NOT** use for cooking. Do not use without food)

Ground Instructions

This appliance must be grounded. In the event of an electrical short circuit, grounding reduces the risk of electric shock by providing an escape wire for the appliance is equipped with a cord having a grounding wire with a grounding plug. The plug must be plugged into an outlet that is properly installed and grounded.

WARNING - Improper use of the grounding can result in a risk of electric shock.

Consult a qualified electrician or serviceman if the grounding instructions are not completely understood, or if doubt exists as to whether the appliance is properly grounded. If it is necessary to use an extension cord, use only a 3-wire extension cord that has a 3-blade grounded plug, and 3-slot receptacle that will accept the plug on the appliance. The marked rating of the extension cord shall be equal to or greater than the electrical rating of the appliance.

DANGER - Electric Shock Hazard

Touching some of the internal components can cause serious personal injury or death. Do not disassemble this appliance.

WARNING - Electric Shock Hazard

Improper use of the grounding can result in electric shock. Do not plug into an outlet until appliance is properly installed and grounded.

1. A short power-supply cord is provided to reduce the risks resulting from becoming entangled in or tripping over a longer cord.
2. Longer cord sets or extension cords are available and may be used if care is exercised in their use.
3. If a long cord or extension cord is used:
 - 1) The marked electrical rating of the cord set or extension cord should be at least as great as the electrical rating of the appliance.
 - 2) The extension cord must be a grounding-type 3-wire cord.
 - 3) The longer cord should be arranged so that it will not drape over the counter top or tabletop where it can be pulled on by children or tripped over unintentionally.

****THIS DEVICE COMPLIES WITH PART 18 OF THE FCC RULES.****
(ONLY FOR USA)

Radio Interference

1. Operation of the microwave may cause interference to your radio, TV or similar equipment.
2. When there is interference, it may be reduced or eliminated by taking the following measures:
 - 1) Clean door and sealing surface of the microwave
 - 2) Reorient the receiving antenna of radio or television.
 - 3) Relocate the microwave with respect to the receiver.
 - 4) Move the microwave away from the receiver.
 - 5) Plug the microwave into a different outlet so that microwave and receiver are on different branch circuits.

Kitchen Utensils

CAUTION - Personal Injury Hazard

Tightly-closed containers could explode. Closed containers should be opened and plastic pouches should be pierced before cooking. See the instructions on "Materials you can use in microwave and materials to avoided in microwave."

There may be certain non-metallic kitchen utensils that are not safe to use for microwaving. If in doubt, you can test the kitchen utensil in question following the procedure below.

Kitchen Utensil Test:

1. Fill a microwave-safe container with 1 cup of cold water (250ml) along with the utensil in question.
2. Cook on maximum power for 1 minute.
3. Carefully feel the utensil. If the empty utensil is warm, do not use it for microwave cooking.
4. Do not exceed 1 minute cooking time.

MATERIALS YOU CAN USE IN MICROWAVE

Material	Instructions
Browning dish	Follow manufacturer* instructions. The bottom of browning dish must be at least 3/16 inch (5mm) above the turntable. Incorrect usage may cause the turntable to break.
Dinnerware	Microwave-safe only. Follow manufacturer's instructions. Do not use cracked or chipped dishes
Glass jars	Always remove lid. Use only to heat food until just warm. Most glass jars are not heat resistant and may break.
Glassware	Heat-resistant glassware only. Make sure there is no metallic trim. Do not use cracked or chipped dishes.
Cooking bags	Follow manufacturer* instructions. Do not close with metal tie. Make slits to allow steam to escape.
Paper plates and cups	Use for short*erm cooking/warming only. Do not leave microwave unattended while cooking.
Paper towels	Use for short*erm cooking/warming only. Do not leave microwave unattended while cooking.
Parchment paper	Use for short*erm cooking/warming only. Do not leave microwave unattended while cooking.
Plastic	Microwave-safe only. Follow the manufacturer* instructions. Should be labeled "Microwave Safe". Some plastic containers soften, as the food inside gets hot. "Boiling bags" and tightly closed plastic bags should be slit, pierced or vented as directed by package.
Plastic wrap	Microwave-safe only. Use to cover food during cooking to retain moisture. Do not allow plastic wrap to touch food.
Thermometers	Microwave-safe only (meat and candy thermometers).
Wax paper	Use as a cover to prevent splattering and retain moisture.

MATERIALS TO AVOIDED IN MICROWAVE

Material	Instructions
Aluminum tray	May cause arcing. Transfer food into microwave-safe dish.
Food carton with metal handle	May cause arcing. Transfer food into microwave-safe dish.
Metal or metal-trimmed utensils	Metal shields the food from microwave energy. Metal trim may cause arcing.
Metal twist ties	May cause arcing and could cause a fire in the microwave.
Paper bags	May cause a fire in the microwave.
Plastic foam	Plastic foam may melt or contaminate the liquid inside when exposed to high temperature.
Wood	Wood will dry out when used in the microwave and may split or crack.

Clearances And Dimensions

- A. Dimensions that are shown in **Figure 1** must be used. Given dimensions provide minimum clearance. Locate electrical outlet in the shaded area in the upper left-hand corner of the cutout. See **Figure 3**
- B. Contact surface must be solid and level. Pay special attention to the floor on which the microwave drawer will sit. The floor of the opening should be constructed of plywood strong enough to support the weight of the microwave (about 100 pounds).
- C. Check location where the microwave drawer will be installed for proper electrical supply
- D. Your microwave can be built into a cabinet or wall by itself or under a gas or electric wall microwave.
- E. Be sure that the clearance of the floor between the wall microwave and the microwave drawer is a minimum of 2-inches.
- F. The microwave interior will easily accommodate a 9" x 13" oblong dish or a bag of microwave popcorn.

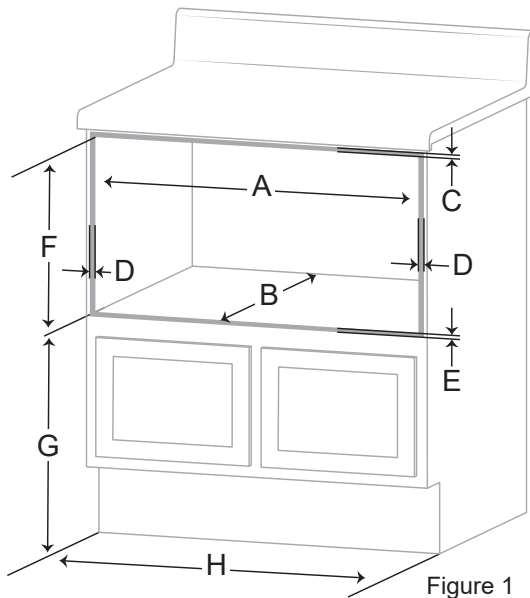


Figure 1

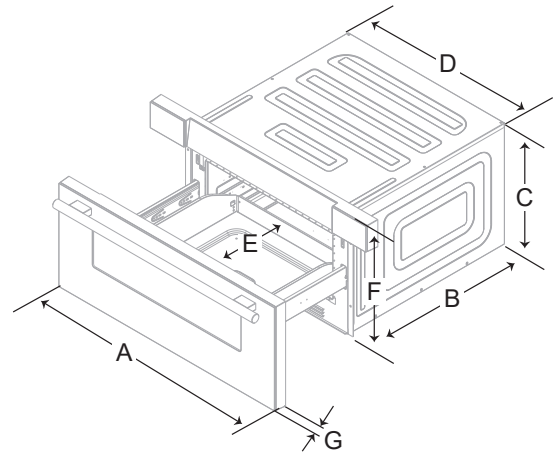


Figure 2

Figure 1

A	B	C	D	E	F	G	H
Max: 28 $\frac{7}{16}$ " Min: 22 $\frac{1}{8}$ "	Min: 23 $\frac{1}{2}$ "	Allow $\frac{3}{16}$ " Overlap	Allow $\frac{3}{4}$ " Overlap	Allow $\frac{7}{16}$ " Overlap	14 $\frac{13}{16}$ " Opening	19" From The Floor	30"

Figure 2

A	B	C	D	E	F	G
Min: 30"	Min: 22 $\frac{1}{2}$ "	14 $\frac{19}{32}$ "	21 $\frac{9}{16}$ "	15" Drawer Opening	16"	1 $\frac{11}{16}$ "

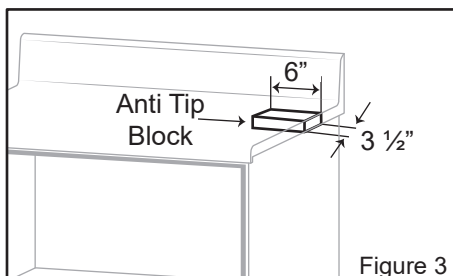
Clearances And Dimensions (continued)

Figures 1 and 2 contain many Microwave Drawer measurements for reference when planning the drawer's location. This Microwave Drawer can be installed below any electric or gas wall microwave.

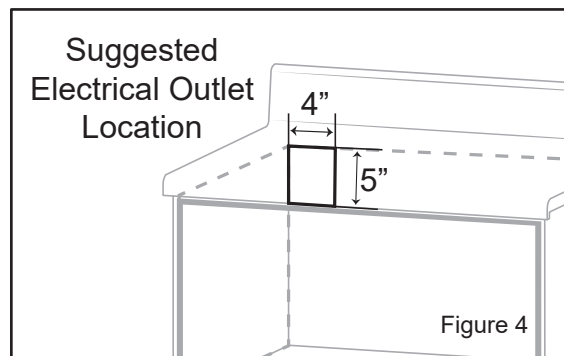
*Can also be installed using an electrical outlet in an adjacent cabinet within the area where the provided electrical cord can reach. Power cord access hole in cabinet should be a minimum 1 1/2" diameter hole and debarred of all sharp edges.

Note: Always allow sufficient power cord length to the electrical outlet to prevent tension. Always check electrical codes for requirements.

ANTI-TIP BLOCK INSTALLATION INSTRUCTIONS



ANTI-TIP BLOCK



ELECTRICAL OUTLET

To reduce the risk of tipping of the drawer, the Anti-Tip block must be properly installed located 14-13/16" inches above the floor on which the Microwave Drawer will sit. The 6-inch Anti-Tip block must be provided by the installer. See Figures 1 and 3.

The Anti-Tip block prevents serious injury that might result from spilled hot liquids. If the Microwave Drawer is ever moved to a different location, the Anti-Tip block must also be moved and installed.

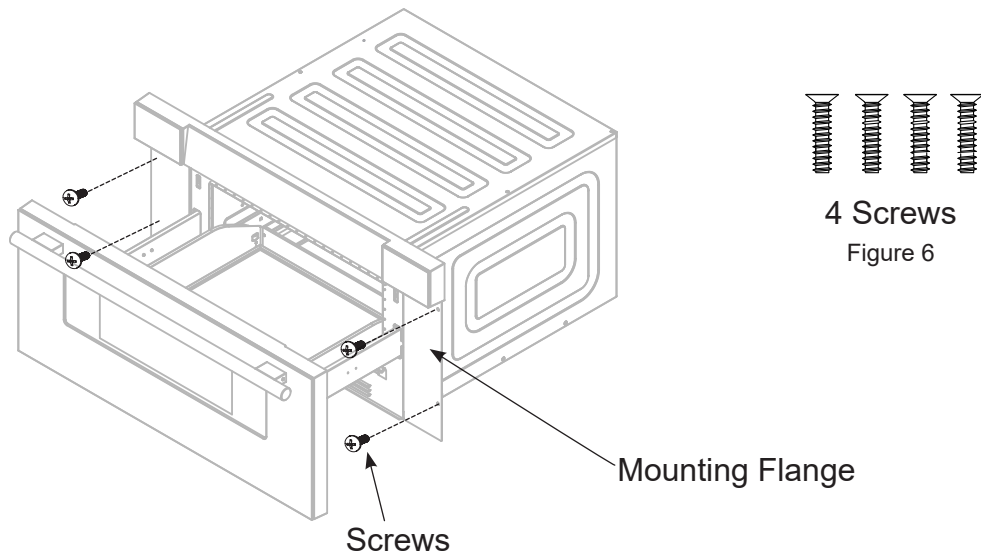
When installed to the wall make sure that the screws completely penetrate the dry wall and are secured in wood or metal so that the block is totally stable. When fastening, be sure that the screws do not penetrate electrical wiring or plumbing. The electrical requirements are a 120 volt 60 Hz, AC only, 15 amp. Or more protected electrical supply. It is recommended that a separate circuit serving only this appliance be provided.

The drawer is equipped with a 3-prong grounding plug, It must be plugged into a wall receptacle that is properly installed and grounded. Should you only have 2-prong outlet, have a qualified electrician install a correct wall receptacle.

Note: If you have any questions about the grounding or electrical Instructions, consult a qualified electrician or service person.

*Can also be installed using an electrical outlet in an adjacent cabinet within the area where the provided electrical cord can reach. Always check electrical codes, for requirements.

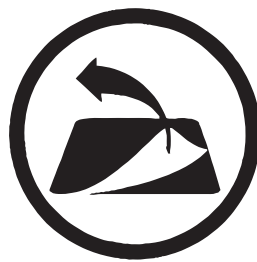
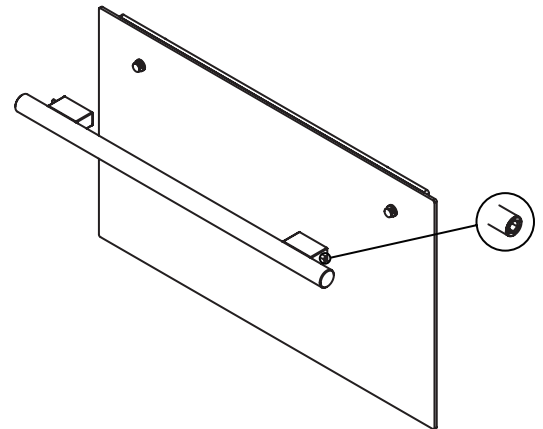
Drawer Installation



1. Place the drawer adjacent to the wall or cabinet opening. Plug the power supply cord into the electrical outlet.
2. Carefully guide the drawer into the prepared opening. Avoid pinching the cord between the microwave and the wall.
3. Slide the drawer all the way until the mounting flange is flush with the face of the cabinet. See Figure 5.
4. Open the drawer. Using the 4 holes on the drawer as a template, pre drill the cabinet using a 1/16" bit. See Figure 5.
5. Secure the drawer with the 4 screws supplied. See Figure 6.





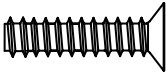
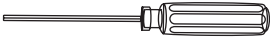

HANDLE INSTALLATION

1. Locate the holes on the underside of each handle base.
2. Using a Allen/hex key, turn counter-clockwise to loosen both the left and right set screws.
3. Carefully remove the handle. If installing an handle, carefully place the new handle on the mounting studs. Then, using the Allen/hex key, tighten the left and right set screws in a clockwise motion until the handle is firmly in place.



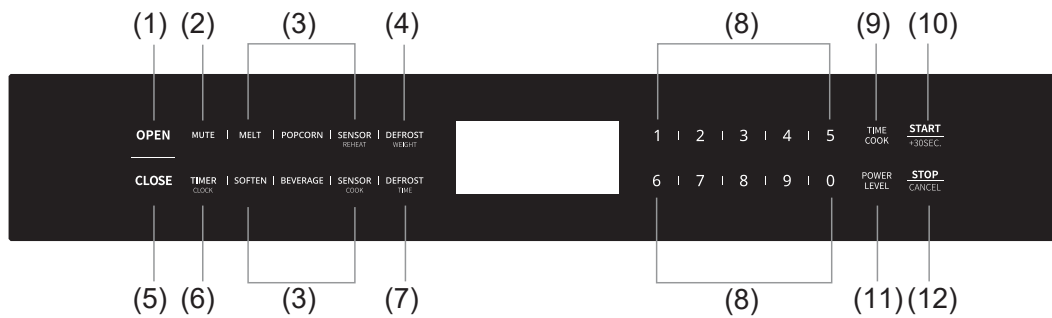
**PEEL OFF ALL PROTCTION FILM
AND TAPES BEFORE USE.**

Packing List

S/N	List	Quantity
1	<p>Instruction Manual</p> 	1
2	<p>Antique Brass Handle</p> 	1
3	<p>Stainless Steel Handle</p> 	1
4	<p>Screws (Handle)</p> 	2
5	<p>Screw</p> 	4
6	<p>Allen/ hex key</p> 	1
7	<p>Defrosting Rack</p> 	1

Antique brass Handle/ Screws(handle) only for the White And Black Units

Operation



- | | | |
|-------------------|-----------------|-------------------|
| 1. Open | 5. Close | 9. Time Cook |
| 2. Setup | 6. Timer/Clock | 10. Start/+30sec. |
| 3. Auto Menu | 7. Defrost Time | 11. Power Level |
| 4. Defrost Weight | 8. Number Keys | 12. Stop/Cancel |

1. Clock Setting:

- (1) Press "TIMER/CLOCK" button twice. "12:00" will flash.
- (2) Press number keys to set the clock, it should be within 1:00~12:59.
- (3) Press "START+30SEC." Or "TIMER/CLOCK" to finish the setting.

Note: In the process of clock setting, if the "STOP/CANCEL" button is pressed or if there is no operation within 1 minute, the microwave will go back to former setting automatically.

2. Kitchen Timer:

- (1) Press "TIMER/CLOCK" button once. "00:00" will display.
- (2) Press number keys to set the clock, it should be within 00:01-99:99.
- (3) Press "START+30SEC." To start counting down .

3. Time Cook:

10 power levels are available

Level	10	9	8	7	6	5	4	3	2	1
Power	100%	90%	80%	70%	60%	50%	40%	30%	20%	10%
Display	L10	L09	L08	L07	L06	L05	L04	L03	L02	L01

- (1) Press "TIME COOK" button once. "00:00" will display.
- (2) Press number keys to set the cook time, it should be within 00:01-99:99.
- (3) Press "POWER LEVEL" once, and then to confirm and then press "POWER LEVEL" repeatedly or press number key to set the power level.
- (4) Press "START+30SEC." To start cooking.

4. Add 30Sec:

- (1) In waiting state, instant cooking at 100% power level with 30 seconds' cooking time can be started by pressing "START/+30SEC". Each press on the same button will increase cooking time by 30 seconds.
- (2) During microwave and defrost by time, "START/+30SEC." Can be pressed to increase cooking time. Each press will increase 30 seconds.

Operation (Continued)

5. Weight Defrost Function:

- (1) Press “DEFROST WEIGHT” button. Screen displays the defrost icon. And “0.0 lbs” will light.
- (2) Press number buttons to input the weight to be defrosted. The input weight should be between 0.1-6.0 lbs.
- (3) Press “START/+30SEC.” To start defrosting. Buzzer sounds once.

Note: The buzzer will sound twice to remind you of turning over the food during defrosting.

6. Time Defrost Function:

- (1) Press “DEFROST TIME” button. Screen displays defrost icon. And “00:00” will light.
- (2) Press number buttons to enter the defrosting time between 00:01-99:99.
- (3) Press “START/+30SEC.” To start defrosting.

Note: The defrosting power level is PL03. It cannot be changed. The buzzer will sound twice to remind you of turning over the food during defrosting.

7. Popcorn:

- (1) Press “POPCORN” to start cooking directly.

8. Sensor Reheat:

- (1) In waiting state, press “Sensor Reheat” once, “Sr-1” will display.
- (2) Press “Sensor Reheat” repeatedly or press “1-4” to choose the menu.
- (3) Press “START+ 30SEC.” To start cooking.

PASTA	Sr-1
PIZZA	Sr-2
PLATE	Sr-3
SOUP	Sr-4

9. Sensor Cook

- (1) In waiting state, press “Sensor Cook” once, “Sc-1” will display.
- (2) Press “Sensor Cook” repeatedly or press “1-7” to choose the menu.
- (3) Press “START+30SEC.” To start cooking.

Potato	Sc-1
Chicken	Sc-2
Fish	Sc-3
Ground Meat	Sc-4
Fresh Veggies	Sc-5
Frozen Veggies	Sc-6
Canned Veggies	Sc-7

Operation (Continued)

10. Beverage:

- (1) In waiting state, press "Beverage" once, "1", "01:30" will display.
- (2) Press "Beverage" repeatedly or press "1" or "2" to choose the menu.
- (3) Press "START+30SEC." To start cooking.

11. Melt:

- (1) In waiting state, press "MELT" once, "1 buTT" will display.
- (2) Press "MELT" repeatedly to choose the menu.
- (3) Press "1" or "2" to choose the correspond weight.
- (4) Press "START+30SEC." To start cooking.

Menu	Display	Weight
Butter / Margarine	1 buTT	1 (Stick)
	2 buTT	2 (Stick)
	3 buTT	3 (Stick)
Chocolate	4 OZ	4 OZ
	8 OZ	8 OZ
Cheese	8 OZ	8 OZ
	16 OZ	16 OZ

12. Soften:

- (1) In waiting state, press "SOFTEN" once, "1 buTT" will display.
- (2) Press "SOFTEN" repeatedly to choose the menu.
- (3) Press "1" or "2" to choose the correspond weight.
- (4) Press "START+30SEC." to start cooking.

Menu	Display	Weight
Butter	1 buTT	1(STICK)
	2 buTT	2(STICK)
	3 buTT	3(STICK)
Ice cream/ Frozen juice	8 oz ICE	8 oz
	16 oz ICE	16 oz
	32 oz ICE	32 oz
Cream Cheese	3 oz CHEE	3 oz
	8 oz CHEE	8 oz

13. Multiple Cook:

- (1) In waiting state, press "DEFROST WEIGHT" once, "0.0 lbs" will display.
- (2) Press number buttons to input the weight to be defrosted. The input weight should be between 0.1-6.0 lbs.
- (3) Press "TIME COOK" button once. "00:00" will display.
- (4) Press number keys to set the cook time, it should be within 00:01-99:99.

Operation (Continued)

- (5) Press "POWER LEVEL" once, and then to confirm and then press "POWER LEVEL" repeatedly or press number key to set the power level.
- (6) Press "START+30SEC." to start cooking.

Note: The defrost function only could be one stage of the multiple cook. Two stage cook can be set at most.

14. Buzzer On/Off:

To enter silent mode Press "MUTE" button. Screen displays silent icon. To cancel silent mode In silent mode, press "MUTE" button. The Buzzer will sound twice.

15. Lock function for children:

Lock: In waiting state, press "STOP/CANCEL" for 3 seconds, the microwave will enter into the children-lock state. Screen will display "Loc".

Lock quitting: In locked state, press "STOP/CANCEL" for 3 seconds to release the lock. Screen will display "UnLo".

16. Open/Close the oven door:

- To open the oven door: In the oven door closed state, press "OPEN" once to open the oven door.
- To close the oven door: In the oven door opened state, press "CLOSE" once to close the oven door.

Note: During the oven door automatically opens by pressing "OPEN", pressing "OPEN" or "CLOSE" will automatically stop opening the door, and then pressing the "OPEN" or "CLOSE" button again will open or close the oven door.

17. Eco mode:

To enter Eco mode when the microwave door is closed, in waiting state, if there is not any operations in 1 minute. To cancel Eco mode In Eco mode, open the door or press any key to cancel it.

18. Inquiring Function:

If the clock has been set, the current time will display for three seconds by pressing "TIMER/CLOCK" in the cooking state.

Troubleshooting

Check your problem by using the chart below and try the solutions for each problem. If the microwave still does not work properly, contact the nearest authorized service center.

TROUBLE	POSSIBLE CAUSE	POSSIBLE REMEDY
It wont not start	<ul style="list-style-type: none"> » Electrical cord for microwave is not plugged in. » Door is open. » Wrong operation is set. 	<ul style="list-style-type: none"> » Plug into the outlet. » Close the door and try again. » Check instructions.
Arcing or sparking	<ul style="list-style-type: none"> » Materials to be avoided in microwave were used. » The microwave is operated when empty. » Spilled food remains in the cavity. 	<ul style="list-style-type: none"> » Use microwave-safe cookware only. » Do not operate with microwave empty. » Clean cavity with wet towel.
Unevenly cooked foods	<ul style="list-style-type: none"> » Materials to be avoided in microwave were used. » Food is not defrosted completely. » Cooking time, power level is not suitable. » Food is not turned or stirred. 	<ul style="list-style-type: none"> » Use microwave-safe cookware only. » Completely defrost food. » Use correct cooking time, power level. » Turn or stir food.
Overcooked foods	Cooking time, power level is not suitable.	Use correct cooking time, power level.
Undercooked foods	<ul style="list-style-type: none"> » Materials to be avoided in microwave were used. » Food is not defrosted completely. » Ventilation ports are restricted. » Cooking time, power level is not suitable. 	<ul style="list-style-type: none"> » Use microwave-safe cookware only. » Completely defrost food. » Check to see that microwave ventilation ports are not restricted. » Use correct cooking time, power level.
Improper defrosting	<ul style="list-style-type: none"> » Materials to be avoided in microwave were used. » Cooking time, power level is not suitable. » Food is not turned or stirred. 	<ul style="list-style-type: none"> » Use microwave-safe cookware only. » Use correct cooking time, power level. » Turn or stir food.

Warranty

What this limited warranty covers:

The Warranty coverage provided by Forno Appliances in this statement applies exclusively to the original Forno appliance (“Product”) sold to the consumer (“Purchaser”) by an authorized Forno dealer/distributor/retailer, purchased and installed in the United States or Canada, and which has always remained within the original country of purchase (the United States or Canada). Warranty coverage is activated on the date of the Product’s original retail purchase and has a duration of two (2) years.

Warranty coverage is non-transferable. In the event of replacement of parts or of the entire product, the replacement Product (or parts) shall assume the remaining original Warranty activated with the original retail purchase document. This Warranty shall not be extended with respect to such replacement. Forno Appliances will repair or replace any component/part which fails or proves defective due to materials and/or workmanship within 2 years of the date of the original retail purchase and under conditions of ordinary residential, non-commercial use. Repair or replacement will be free of charge, including labor at standard rates and shipping expenses. Purchaser is responsible for making the Product reasonably accessible for service. Repair service must be performed by a Forno Authorized Service company during normal working hours.

Important

Retain proof of original purchase to establish warranty period. Forno’s liability on any claim of any kind, with respect to the goods and/or services provided, shall in no event exceed the value of the goods or service or part there of which has given rise to the claim.

30-Day Cosmetic Warranty

The Purchaser must inspect the product at the time of delivery. Forno warrants that the Product is free from manufacturing defects in materials and workmanship for a period of thirty (30) days from date of the original retail purchase of the Product.

This coverage includes:

- Paint blemishes
- Chips
- Macroscopic finish defects

Cosmetic warranty does NOT cover:

- Issues resulting from incorrect transport, handling and/or installation (e.g.: dents, broken, warped or deformed structures or components, cracked or otherwise damaged glass components);
- Slight color variations on painted/enameled components;
- Differences caused by natural or artificial lighting, location or other analogous factors; > stains/corrosion/discoloration caused by external substances and/or environmental factors; > labor costs, display, floor, B-stock, out- of-box, “as is” appliances and demo units.

How to receive service

To receive warranty services, the Purchaser must contact the Forno Support department in order to determine the problem and the required service procedures. Troubleshooting with a customer service representative will be necessary before moving forward with the service. Model number, serial number and date of original retail purchase will be requested.

Warranty (Continued)

Warranty Exclusions: What Is Not Covered.

- Use of the Product in any non-residential, commercial application.
- Use of the Product for anything other than its intended purpose.
- Repair services provided by anyone other than a Forno Authorized Service agency.
- Damages or repair services to correct services provided by unauthorized parties or the use of unauthorized parts.
- Installation not in accordance with local/state/city/county fire codes, electrical codes, gas codes, plumbing codes, building codes, laws or regulations.
- Defects or damage due to improper storage of the Product.
- Defects, damage or missing parts on products sold out of the original factory packaging or from displays. > Service calls or repairs to correct an incorrect installation of the Product and/or related accessories.
- Replacement of parts/service calls to connect, convert or otherwise repair the electrical wiring and/or gas line in order to properly use the product.
- Replacement of parts/service calls to provide instructions and information on the use of the Product.
- Replacement of parts/service calls to correct issues arising from the product being used in a manner other than what is normal and customary for residential use.
- Replacement of parts/service calls due to wear and tear of components such as seals, knobs, pan supports, shelving, cutlery baskets, buttons, touch displays, scratched or broken ceramic-glass tops.
- Replacement of parts/service calls for lack of/improper maintenance, including but not limited to: build up of residues, stains, scratches, discoloration, corrosion.
- Defects and damages arising from accidents, alteration, misuse, abuse or improper installation.
- Defects and damages arising from Product transport, logistics and handling. Inspection of the product must be made at time of delivery. Following receipt and inspection, the selling dealer/delivery company must be notified of any issues arising from handling, transport and logistics.
- Defects and damages arising from external forces beyond the control of Forno Appliances, including but not limited to wind, rain, sand, fires, floods, mudslides, freezing temperatures, excessive moisture or extended exposure to humidity, power surges, lightning, structural failures surrounding the appliance and other acts of God.
- Products whose serial number has been altered/damaged/tampered with. In no case shall Forno be held liable or responsible for damage to surrounding property, including furniture, cabinetry, flooring, panels, and other structures surrounding the Product. Forno is neither liable nor responsible for the Product if it is located in a remote area or an area where certified trained technicians are not reasonably available. Purchaser must bear any transportation and delivery costs of the Product to the nearest Authorized Service Center or the additional travel expenses of a certified trained technician

THERE ARE NO EXPRESS WARRANTIES OTHER THAN THOSE LISTED AND DESCRIBED ABOVE, AND NO WARRANTIES, EITHER EXPRESS OR IMPLIED, INCLUDING, BUT NOT LIMITED TO, ANY IMPLIED WARRANTIES OF MERCHANTABILITY OR FITNESS FOR A PARTICULAR PURPOSE THAT SHALL APPLY AFTER THE EXPRESS WARRANTY PERIODS STATED ABOVE, AND NO OTHER EXPRESS WARRANTY OR GUARANTEE GIVEN BY ANY PERSON, FIRM OR CORPORATION WITH RESPECT TO THIS PRODUCT SHALL BE BINDING ON FORNO. FORNO SHALL NOT BE LIABLE FOR LOSS OF REVENUE OR PROFITS, FAILURE TO REALIZE SAVINGS OR OTHER BENEFITS, TIME AWAY FROM WORK, MEALS, LOSS OF FOOD OR BEVERAGES, TRAVELING OR HOTEL EXPENSES, EXPENSES TO RENT OR PURCHASE APPLIANCES, REMODELING/CONSTRUCTION EXPENSES IN EXCESS OF DIRECT DAMAGES WHICH ARE UNDENIABLY CAUSED EXCLUSIVELY BY FORNO OR ANY OTHER SPECIAL, INCIDENTAL OR CONSEQUENTIAL DAMAGES CAUSED BY THE USE, MISUSE OR INABILITY TO USE THIS PRODUCT, REGARDLESS OF THE LEGAL THEORY ON WHICH THE CLAIM IS BASED, AND EVEN IF FORNO HAS BEEN ADVISED OF THE POSSIBILITY OF SUCH DAMAGES. NOR SHALL RECOVERY OF ANY KIND AGAINST FORNO BE GREATER IN AMOUNT THAN THE PURCHASE PRICE OF THE PRODUCT SOLD BY FORNO AND CAUSING THE ALLEGED DAMAGE. WITHOUT PREJUDICE TO THE FOREGOING, PURCHASER ASSUMES ALL RISK AND LIABILITY FOR LOSS, DAMAGE OR INJURY TO PURCHASER AND PURCHASER'S PROPERTY AND TO OTHERS AND THEIR PROPERTY ARISING FROM THE USE, MISUSE, OR INABILITY TO USE THIS PRODUCT SOLD BY FORNO THAT IS NOT A DIRECT RESULT OF NEGLIGENCE ON THE PART OF FORNO THIS LIMITED WARRANTY SHALL NOT EXTEND TO ANYONE OTHER THAN THE ORIGINAL PURCHASER OF THIS PRODUCT, IS NON-TRANSFERABLE, AND STATES YOUR EXCLUSIVE REMEDY.



Customer Support: Call 1-866-231-8893 or email: info@forno.ca



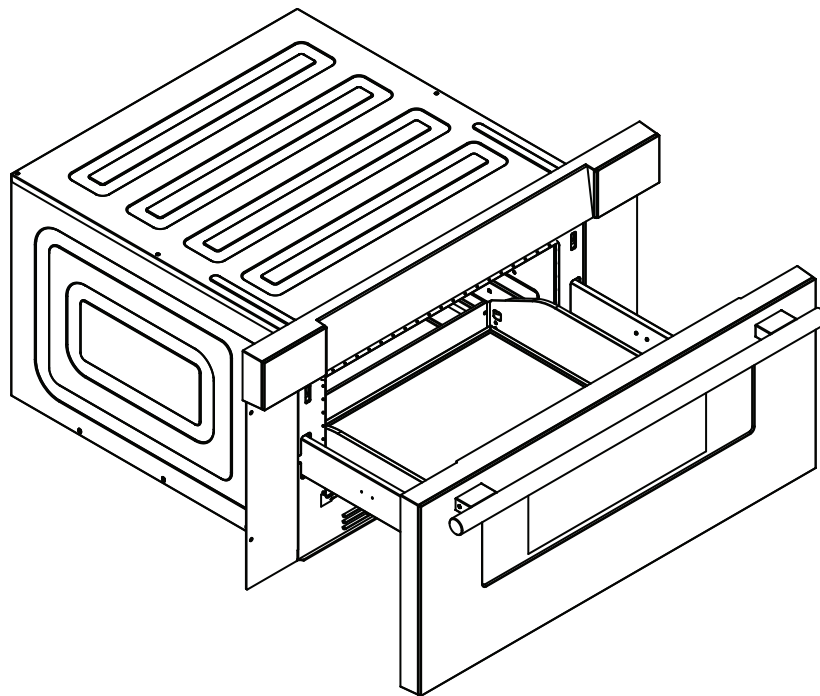
TIROIR À MICRO-ONDES
NUMÉRO DE MODÈLE SÉRIE
FMWDR3000-30 | FMWDR3000-30BLK | FMWDR3000-30WHT
MANUEL D'INSTRUCTIONS

Lisez attentivement ces instructions avant d'utiliser votre micro-ondes et conservez-les soigneusement. Si vous suivez les instructions, votre micro-ondes vous offrira de nombreuses années de bon service.

TABLE DES MATIÈRES

Service clientèle	4
Avertissement	5
Consignes de sécurité importantes	6
Noms des pièces et accessoires	7
Instructions de mise à la terre	7
Interférences radio	8
Ustensiles de cuisine :	8
• Matériaux Utilisables Au Micro-ondes	9
• Matériaux À Éviter Dans Les Micro-ondes	9
Dégagement et dimensions :	10
• Instructions d'installation du bloc anti-basculement	11
Installation du tiroir	12
Liste de colisage	13
Opération :	14
• Réglage de l'horloge.....	14
• Minuteur de cuisine.....	14
• Temps de cuisson.....	14
• Ajouter 30sec.....	14
• Fonction de décongélation du poids.....	15
• Fonction de décongélation à temps.....	15
• Popcorn.....	15
• Réchauffage du capteur.....	15
• Cuisson au capteur.....	15
• Boissons.....	16
• Fondre.....	16
• Adoucir.....	17
• Cuisinier multiple.....	17
• Buzzer On/Off.....	17
• Fonction de verrouillage pour les enfants.....	17
• Ouvrir/fermer la porte du four.....	17
• Mode éco.....	17
• Fonction d'interrogation	17
Dépannage	18
Garantie	19

TIROIR À MICRO-ONDES



NUMÉRO DE MODÈLE SÉRIE
FMWDR3000-30 | FMWDR3000-30BLK | FMWDR3000-30WHT

Service clientèle

Merci d'avoir acheté un produit Frono. Veuillez lire l'intégralité du manuel d'instructions avant d'utiliser votre nouvel appareil pour la première fois. Que vous soyez un utilisateur occasionnel ou un expert, il vous sera utile de vous familiariser avec les pratiques de sécurité, les caractéristiques, le fonctionnement et les recommandations d'entretien de votre appareil.

Le modèle et le numéro de série sont indiqués à l'intérieur du produit. Pour les besoins de la garantie, vous aurez également besoin de la date d'achat.

Informations sur le produit

Numéro de modèle : _____

Numéro de série : _____

Date d'achat : _____

Adresse et numéro de téléphone pour l'achat : _____

Informations sur les services

Utilisez ces numéros dans toute correspondance ou appel de service concernant votre produit.

Si vous avez reçu un produit endommagé, contactez immédiatement Frono.

Pour gagner du temps et de l'argent, consultez le guide de dépannage avant de faire appel à un service d'entretien. Il énumère les causes des problèmes mineurs de fonctionnement que vous pouvez corriger vous-même.



"Besoin d'une aide rapide ? Il suffit de scanner le code qr pour accéder à notre formulaire d'assistance rapide. Nous sommes toujours à votre disposition pour répondre à vos questions ou à vos préoccupations. N'hésitez donc pas à nous contacter !"

Services au Canada et aux États-Unis

Gardez le manuel d'instructions à portée de main pour répondre à vos questions. Si vous ne comprenez pas quelque chose ou si vous avez besoin de plus d'aide, veuillez consulter notre site web pour une assistance rapide. Veuillez nous fournir vos nom, numéro, adresse, numéro de série du produit en panne, la preuve d'achat et une brève description du problème. Un représentant du service clientèle vous contactera dès que possible. Toute intervention sous garantie doit être autorisée par le service clientèle de FORNO. Tous nos prestataires de services agréés sont soigneusement sélectionnés et rigoureusement formés par nos soins.



AVERTISSEMENT POUR VOTRE SÉCURITÉ

PRÉCAUTIONS À PRENDRE POUR ÉVITER UNE ÉVENTUELLE EXPOSITION À UNE ÉNERGIE HYPERFRÉQUENCE EXCESSIVE

(a) N ' essayez PAS de faire fonctionner ce four à micro-ondes avec la porte ouverte, car l'opération peut entraîner une exposition nocive à l'énergie des micro-ondes. Il est important de ne pas neutraliser ou altérer les verrouillages de sécurité.

(b) **NE PAS** placer d'objet entre la face avant du micro-ondes et la porte ou permettre l'accumulation de salissures ou de résidus de nettoyant sur les surfaces d'étanchéité.

(c) **Ne pas** faire fonctionner le micro-ondes s'il est endommagé. Il est particulièrement important que la porte du four à micro-ondes se ferme correctement et qu'elle ne soit pas endommagée :

- (1) PORTE (pliée)
- (2) HINGES ET LOQUETS (cassés ou desserrés)
- (3) JOINTS DE PORTE ET SURFACE D'ÉTANCHÉITÉ

(d) Le four à micro-ondes ne doit pas être réglé ou réparé par une personne autre qu'un technicien qualifié.

SPÉCIFICATIONS

Modèle	FMWDR3000-30 FMWDR3000-30BLK FMWDR3000-30WHT
Tension nominale	120 VAC, 60 Hz
Entrée micro-ondes	1500 W
Sortie micro-ondes	1000 W



AVERTISSEMENT : Ce produit peut vous exposer à des produits chimiques, notamment [le plomb, le plomb et le composé de plomb, qui sont connus de l'État de Californie pour provoquer des cancers et des malformations congénitales ou d'autres troubles de la reproduction. Pour plus d'informations, consultez le site www.P65Warning.ca.gov.

Consignes de sécurité importantes

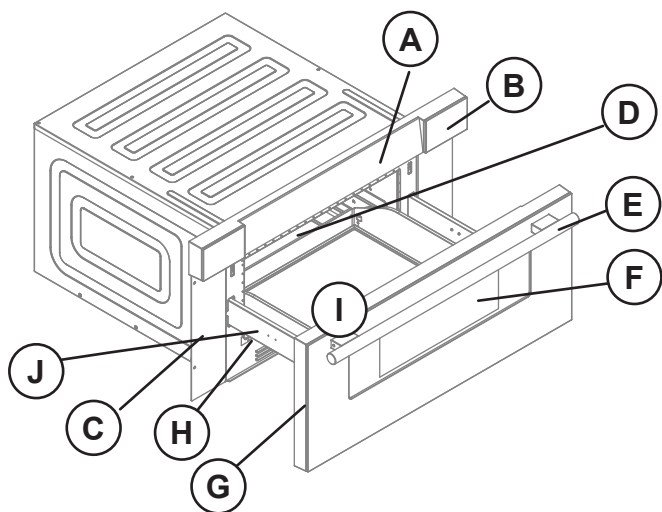
Lors de l'utilisation d'appareils électriques, des précautions de base doivent être prises afin de réduire les risques de brûlures, d'électrocution, d'incendie, de blessures ou d'exposition à une énergie micro-onde excessive.

1. Lisez toutes les instructions avant d'utiliser l'appareil.
2. Lisez et suivez les "PRÉCAUTIONS POUR ÉVITER UNE EXPOSITION POSSIBLE À L'ÉNERGIE EXCESSIVE DES MICRO-CONDUITS" qui se trouvent à la page 4.
3. Cet appareil doit être mis à la terre. Ne brancher que sur une prise de courant correctement mise à la terre. Voir "INSTRUCTIONS DE MISE A LA TERRE" à la page 6.
4. N'installez ou ne placez cet appareil que conformément aux instructions d'installation fournies.
5. Certains produits tels que les œufs entiers et les récipients hermétiques - par exemple, les bocaux en verre fermés - sont susceptibles d'exploser et ne doivent pas être chauffés dans ce four à micro-ondes.
6. N'utilisez cet appareil que pour l'usage auquel il est destiné, tel qu'il est décrit dans le manuel. **NE PAS** utiliser des produits chimiques ou des vapeurs corrosives dans cet appareil. Ce type de micro-ondes est spécifiquement conçu pour chauffer, cuire ou sécher les aliments. Il n'est pas conçu pour une utilisation industrielle ou en laboratoire.
7. LES CONTENUS CHAUDS PEUVENT PROVOQUER DES BRÛLURES GRAVES. NE LAISSEZ PAS LES ENFANTS UTILISER LE MICRO-ONDES. Soyez prudent lorsque vous retirez des objets chauds.
8. **NE PAS** utiliser cet appareil si le cordon ou la fiche est endommagé, s'il ne fonctionne pas, s'il a été endommagé ou s'il est tombé.
9. Cet appareil ne doit être réparé que par un personnel qualifié. Contacter le service après-vente agréé le plus proche pour examen, réparation ou réglage.
10. **NE PAS** couvrir ou bloquer les ouvertures de l'appareil.
11. **NE PAS** stocker cet appareil à l'extérieur. **NE PAS** utiliser ce produit à proximité de l'eau - par exemple, près d'un évier de cuisine, dans un sous-sol humide, près d'une piscine ou dans un endroit similaire.
12. **NE PAS** immerger le cordon ou la fiche dans l'eau.
13. Tenir le cordon à l'écart de la surface chauffée.
14. **NE PAS** laisser le cordon pendre sur le bord d'une table ou d'un comptoir.
15. Pour nettoyer les surfaces de la porte et du four à micro-ondes qui s'assemblent lors de la fermeture de la porte, utilisez uniquement des savons doux et non abrasifs ou un détergent appliqué à l'aide d'une éponge ou d'un chiffon doux.
16. Pour réduire le risque d'incendie dans la cavité du four à micro-ondes 1). **NE PAS** ne pas trop cuire les aliments. Surveillez attentivement l'appareil lorsque du papier, du plastique ou d'autres matériaux combustibles sont placés à l'intérieur du four à micro-ondes pour faciliter la cuisson. 2). Retirer les attaches en fil de fer du sac en papier ou en plastique avant de le placer dans le four à micro-ondes. 3). Si des matériaux à l'intérieur du micro-ondes s'enflamment, garder la porte du micro-ondes fermée, éteindre le micro-ondes et débrancher le cordon d'alimentation, ou couper l'alimentation au niveau du panneau des fusibles ou des disjoncteurs. 4). **NE PAS** utiliser la cavité à des fins de stockage. **NE PAS** laisser des produits en papier, des ustensiles de cuisine ou de la nourriture dans la cavité lorsqu'elle n'est pas utilisée.
17. Les liquides, tels que l'eau, le café ou le thé, peuvent être surchauffés au-delà du point d'ébullition sans avoir l'air de bouillir. Il n'y a pas toujours de bulles ou d'ébullition visibles lorsque le récipient est retiré du four à micro-ondes. CELA POURRAIT ENTRAÎNER LE DÉBORDEMENT SOUDAIN D'UN LIQUIDE TRÈS CHAUD LORSQUE LE RÉCIPIENT EST DÉRANGÉ OU QU'UN USTENSILE EST INSÉRÉ DANS LE LIQUIDE. Pour réduire les risques de blessures aux personnes : 1) **NE PAS** surchauffer le liquide. 2) Remuer le liquide avant et à mi-chemin du chauffage. 3) **NE PAS** utiliser des récipients à bords droits et à cols étroits. 4) Après le chauffage, laissez le récipient reposer dans le four à micro-ondes pendant une courte période avant de le retirer. 5) Soyez extrêmement prudent lorsque vous introduisez une cuillère ou un autre ustensile dans le récipient.
18. **NE PAS** faire fonctionner un appareil de chauffage ou de cuisson sous l'appareil.
19. **NE PAS** monter l'appareil au-dessus ou à proximité d'une partie d'un appareil de chauffage ou de cuisson.
20. **NE PAS** au-dessus d'un évier.
21. **NE PAS** ranger quoi que ce soit directement sur la surface de l'appareil lorsque celui-ci est en fonctionnement.

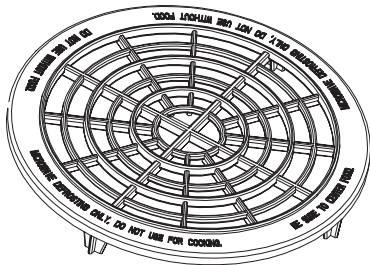
CONSERVER CES INSTRUCTIONS

Noms des pièces et accessoires

Retirer le micro-ondes et tous les matériaux du carton et de la cavité du micro-ondes. Votre four à micro-ondes est livré avec les accessoires suivants :



- A. Patch de contrôle
- B. Boîte de contrôle
- C. Plaque de montage
- D. Cavité
- E. Poignée
- F. Windows
- G. Cadre de la porte
- H. Putter automatique
- I. Tiroir
- J. Conseil conjoint de la charnière



Panier de décongélation (ne peut être utilisé que pour la fonction de décongélation). **NE PAS** pour la cuisson. Ne pas utiliser sans nourriture)

Instructions de mise à la terre

Cet appareil doit être mis à la terre. En cas de court-circuit électrique, la mise à la terre réduit le risque de choc électrique en fournissant un fil d'évacuation pour l'appareil est équipé d'un cordon muni d'un fil de mise à la terre et d'une fiche de mise à la terre. La fiche doit être branchée dans une prise de courant correctement installée et mise à la terre.

AVERTISSEMENT - Une mauvaise utilisation de la mise à la terre peut entraîner un risque d'électrocution.

Consultez un électricien ou un technicien qualifié si les instructions de mise à la terre ne sont pas entièrement comprises ou si vous avez des doutes quant à la mise à la terre de l'appareil. S'il est nécessaire d'utiliser une rallonge, n'utilisez qu'une rallonge à trois fils, dotée d'une fiche à trois lames avec mise à la terre et d'une prise à trois fentes acceptant la fiche de l'appareil. La puissance indiquée de la rallonge doit être égale ou supérieure à la puissance électrique de l'appareil.

DANGER - Risque de choc électrique

Le fait de toucher certains composants internes peut entraîner des blessures graves, voire mortelles. Ne pas démonter l'appareil.

AVERTISSEMENT - Risque de choc électrique

Une mauvaise utilisation de la mise à la terre peut entraîner un choc électrique. Ne pas brancher

l'appareil dans une prise de courant tant qu'il n'est pas correctement installé et mis à la terre.

1. Un cordon d'alimentation court est prévu pour réduire les risques d'enchevêtrement ou de trébuchement sur un cordon plus long.
2. Des cordons plus longs ou des rallonges sont disponibles et peuvent être utilisés à condition d'être utilisés avec précaution.
3. En cas d'utilisation d'un long cordon ou d'une rallonge : 1) La puissance électrique indiquée sur le cordon ou la rallonge doit être au moins égale à la puissance électrique de l'appareil. 2) La rallonge doit être un cordon à trois fils avec mise à la terre. 3) Le cordon le plus long doit être disposé de manière à ce qu'il ne tombe pas sur le plan de travail ou la table, où les enfants pourraient tirer dessus ou trébucher involontairement.

****CET APPAREIL EST CONFORME À LA PARTIE 18 DES RÈGLES DE LA FCC.**
(UNIQUEMENT POUR LES ETATS-UNIS)**

Interférences radio

1. L'utilisation du four à micro-ondes peut provoquer des interférences avec votre radio, votre télévision ou tout autre équipement similaire.
2. En cas d'interférences, celles-ci peuvent être réduites ou éliminées en prenant les mesures suivantes : 1) Nettoyer la porte et la surface d'étanchéité du micro-ondes 2) Réorienter l'antenne de réception de la radio ou de la télévision. 3) Déplacer le micro-ondes par rapport au récepteur. 4) Éloigner le micro-ondes du récepteur. 5) Branchez le four à micro-ondes sur une autre prise de manière à ce que le four à micro-ondes et le récepteur se trouvent sur des circuits différents.

Ustensiles de cuisine

ATTENTION - Risque de blessure corporelle

Les récipients fermés hermétiquement peuvent exploser. Les récipients fermés doivent être ouverts et les sachets en plastique doivent être percés avant la cuisson. Voir les instructions sur les "Matériaux utilisables au micro-ondes et matériaux à éviter au micro-ondes"

Certains ustensiles de cuisine non métalliques ne peuvent pas être utilisés en toute sécurité au micro-ondes. En cas de doute, vous pouvez tester l'ustensile de cuisine en question en suivant la procédure ci-dessous.

Test d'ustensiles de cuisine :

1. Remplissez un récipient adapté aux micro-ondes avec une tasse d'eau froide (250 ml) et l'ustensile en question.
2. Cuire à puissance maximale pendant 1 minute.
3. Touchez soigneusement l'ustensile. Si l'ustensile vide est chaud, ne l'utilisez pas pour la cuisson au micro-ondes.
4. Ne pas dépasser 1 minute de cuisson.

MATÉRIAUX UTILISABLES AU MICRO-ONDES

Matériau	Instructions
Plat à brunir	Suivre les instructions du fabricant*. Le fond du plat à brunir doit se trouver à au moins 5 mm au-dessus du plateau tournant. Une utilisation incorrecte peut entraîner la rupture de la platine.
Vaisselle	Passer au four à micro-ondes uniquement. Suivre les instructions du fabricant. Ne pas utiliser de vaisselle fissurée ou ébréchée

Matériau	Instructions
Bocaux en verre	Retirez toujours le couvercle. Utiliser uniquement pour chauffer les aliments jusqu'à ce qu'ils soient tout juste chauds. La plupart des bocaux en verre ne sont pas résistants à la chaleur et peuvent se briser.
Verrerie	Verrerie résistante à la chaleur uniquement. Assurez-vous qu'il n'y a pas de garniture métallique. Ne pas utiliser de vaisselle fissurée ou ébréchée.
Sacs de cuisson	Suivre les instructions du fabricant*. Ne pas fermer avec un lien métallique. Faire des fentes pour permettre à la vapeur de s'échapper.
Assiettes et gobelets en papier	A utiliser uniquement pour la cuisson/le réchauffement à court terme. Ne laissez pas le micro-ondes sans surveillance pendant la cuisson.
Serviettes en papier	A utiliser uniquement pour la cuisson/le réchauffement à court terme. Ne laissez pas le micro-ondes sans surveillance pendant la cuisson.
Papier sulfurisé	A utiliser uniquement pour la cuisson/le réchauffement à court terme. Ne laissez pas le micro-ondes sans surveillance pendant la cuisson.
Plastique	Passer au four à micro-ondes uniquement. Suivre les instructions du fabricant*. L'étiquette doit porter la mention "Microwave Safe" (sans danger pour les micro-ondes). Certains récipients en plastique se ramollissent lorsque les aliments qu'ils contiennent se réchauffent. Les "sacs à bouillir" et les sacs en plastique fermés hermétiquement doivent être fendus, percés ou ventilés comme indiqué sur l'emballage.
Film plastique	Passer au four à micro-ondes uniquement. À utiliser pour couvrir les aliments pendant la cuisson afin de conserver l'humidité. Le film plastique ne doit pas toucher les aliments.
Thermomètres	Uniquement pour le micro-ondes (thermomètres à viande et à bonbons).
Papier ciré	Utiliser comme couverture pour éviter les éclaboussures et conserver l'humidité.

MATÉRIAUX À ÉVITER DANS LES MICRO-ONDES

Matériau	Instructions
Plateau en aluminium	Peut provoquer des arcs électriques. Transférer les aliments dans un plat allant au micro-ondes.
Carton alimentaire avec poignée métallique	Peut provoquer des arcs électriques. Transférer les aliments dans un plat allant au micro-ondes.
Ustensiles en métal ou garnis de métal	Le métal protège les aliments de l'énergie des micro-ondes. Les garnitures métalliques peuvent provoquer des arcs électriques.
Attaches torsadées en métal	Peut provoquer un arc électrique et un incendie dans le four à micro-ondes.
Sacs en papier	Peut provoquer un incendie dans le four à micro-ondes.
Mousse plastique	La mousse plastique peut fondre ou contaminer le liquide qu'elle contient lorsqu'elle est exposée à des températures élevées.
Bois	Le bois se dessèche lorsqu'il est utilisé dans le four à micro-ondes et peut se fendre ou se craqueler.

Dégagements et dimensions

- A. Les dimensions indiquées dans la **figure 1** doivent être respectées. Les dimensions indiquées correspondent à l'espace libre minimum. Placer la prise électrique dans la zone ombrée dans le coin supérieur gauche de la découpe. Voir **figure 3**
- B. La surface de contact doit être solide et plane. Accordez une attention particulière au sol sur lequel reposera le tiroir à micro-ondes. Le sol de l'ouverture doit être construit en contreplaqué suffisamment solide pour supporter le poids du micro-ondes (environ 100 livres).
- C. Vérifier que l'emplacement où le tiroir à micro-ondes sera installé est bien alimenté en électricité
- D. Votre four à micro-ondes peut être encastré dans un meuble ou un mur, seul ou sous un four à micro-ondes mural à gaz ou électrique.
- E. Veillez à ce que l'espace libre au sol entre le four à micro-ondes mural et le tiroir à micro-ondes soit d'au moins 2 pouces.
- F. L'intérieur du four à micro-ondes peut facilement accueillir un plat oblong de 9" x 13" ou un sac de pop-corn pour micro-ondes.

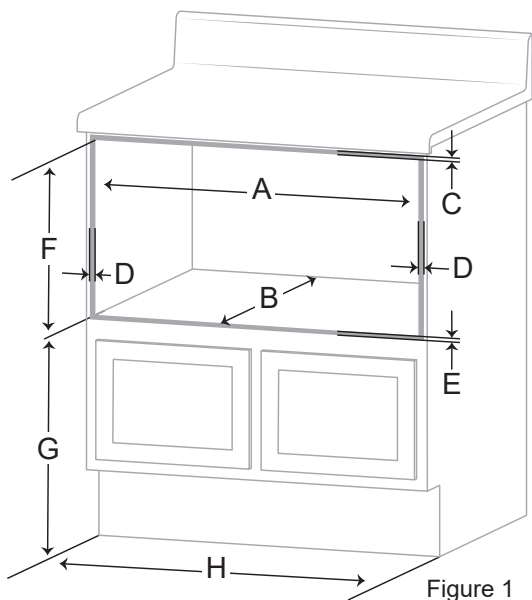


Figure 1

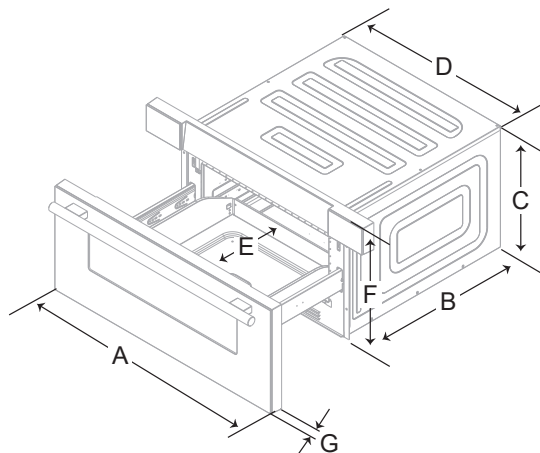


Figure 2

A	B	C	D	E	F	G	H
Max : 28 $\frac{7}{16}$ " Min : 22 $\frac{1}{8}$ "	Min : 23 $\frac{1}{2}$ "	Prévoir un chevauchement de $\frac{3}{16}$ "	Prévoir un chevauchement de $\frac{3}{4}$ "	Prévoir un chevauchement de $\frac{7}{16}$ "	14 $\frac{13}{16}$ " Ouverture	19" du sol	30"

Figure 1

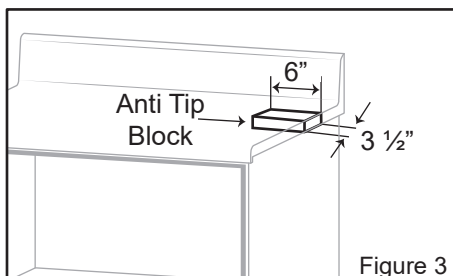
A	B	C	D	E	F	G
Min : 30"	Min : 22 $\frac{1}{2}$ "	14 $\frac{19}{32}$ "	21 $\frac{9}{16}$ "	ouverture de tiroir de 15"	16"	1 $\frac{11}{16}$ "

Figure 2

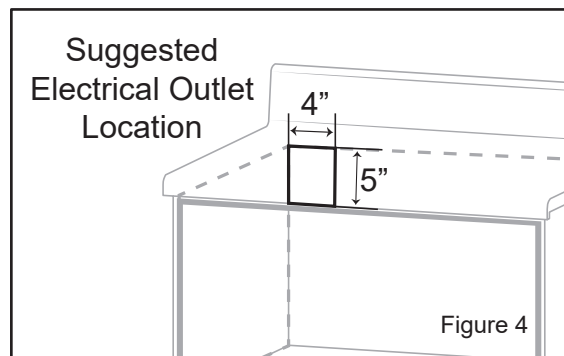
Dégagements et dimensions (suite)

Les figures 1 et 2 contiennent de nombreuses mesures relatives au tiroir à micro-ondes, qui peuvent servir de référence lors de la planification de l'emplacement du tiroir. Ce tiroir à micro-ondes peut être installé sous n'importe quel micro-ondes mural électrique ou à gaz. *Il peut également être installé en utilisant une prise électrique dans une armoire adjacente dans la zone où le cordon électrique fourni peut atteindre. Le trou d'accès au cordon d'alimentation dans l'armoire doit avoir un diamètre minimum de 1/2" et être dépourvu de toute arête vive. Remarque : il faut toujours prévoir une longueur de cordon d'alimentation suffisante jusqu'à la prise électrique pour éviter toute tension. Vérifiez toujours les exigences du code de l'électricité.

INSTRUCTIONS D'INSTALLATION DU BLOC ANTI-BASCULEMENT



BLOC ANTI-TIP



PRISE ÉLECTRIQUE

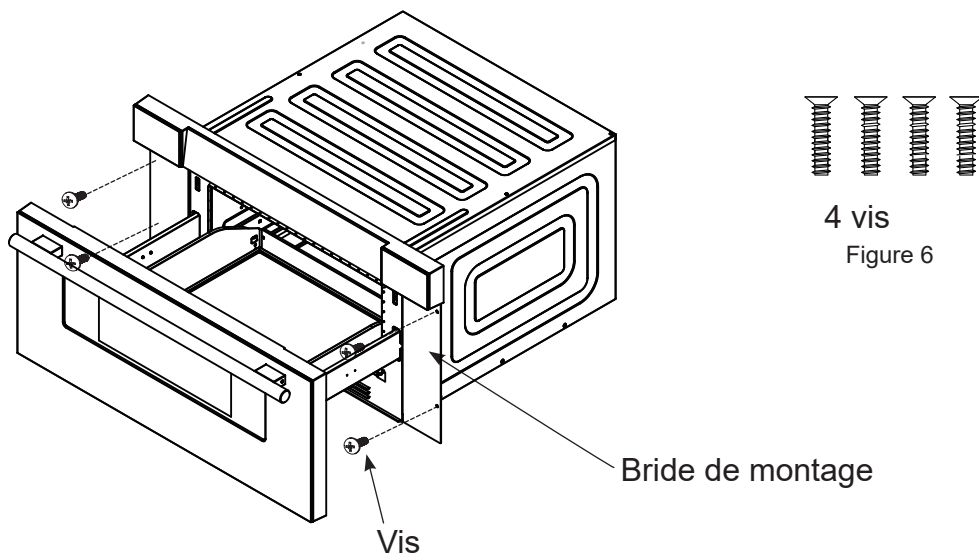
Pour réduire le risque de basculement du tiroir, le bloc anti-basculement doit être correctement installé à 14-13/16" pouces au-dessus du sol sur lequel le tiroir à micro-ondes sera posé. Le bloc anti-basculement de 6 pouces doit être fourni par l'installateur. Voir les figures 1 et 3. Le bloc anti-basculement permet d'éviter les blessures graves qui pourraient résulter du renversement de liquides chauds. Si le tiroir à micro-ondes est déplacé à un autre endroit, le bloc anti-basculement doit également être déplacé et installé.

Lors de l'installation au mur, assurez-vous que les vis pénètrent complètement dans le mur sec et qu'elles ne sont pas endommagées

fixé dans du bois ou du métal de manière à ce que le bloc soit totalement stable. Lors de la fixation, veillez à ce que les vis ne pénètrent pas dans les câbles électriques ou la plomberie. Les exigences en matière d'électricité sont les suivantes : 120 volts 60 Hz, CA uniquement, 15 ampères. Ou une alimentation électrique mieux protégée. Il est recommandé de prévoir un circuit séparé desservant uniquement cet appareil.

Le tiroir est équipé d'une fiche de mise à la terre à 3 broches. Il doit être branché dans une prise murale correctement installée et mise à la terre. Si vous ne disposez que d'une prise à 2 fiches, demandez à un électricien qualifié d'installer une prise murale adéquate.

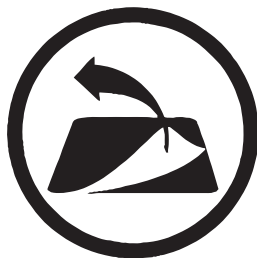
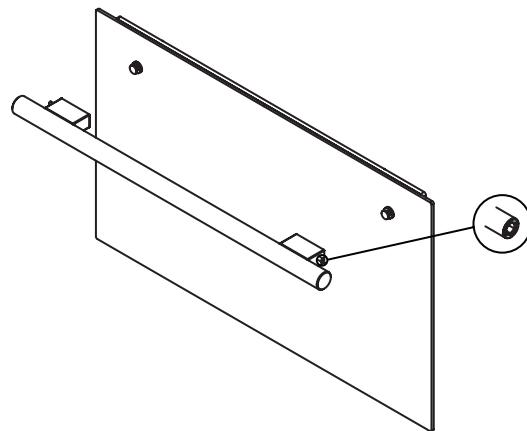
Note : Si vous avez des questions concernant la mise à la terre ou les instructions électriques, consultez un électricien ou un technicien qualifié. *Peut également être installé en utilisant une prise électrique dans une armoire adjacente dans la zone où le cordon électrique fourni peut atteindre. Vérifiez toujours les codes électriques pour connaître les exigences.



1. Placez le tiroir à côté du mur ou de l'ouverture de l'armoire. Branchez le cordon d'alimentation dans la prise électrique.
2. Introduire avec précaution le tiroir dans l'ouverture préparée. Évitez de pincer le cordon entre le micro-ondes et le mur.
3. Faites glisser le tiroir à fond jusqu'à ce que la bride de montage affleure la face du meuble. Voir la figure 5.
4. Ouvrez le tiroir. En utilisant les 4 trous du tiroir comme gabarit, prépercez le meuble à l'aide d'une mèche de 1/16". Voir la figure 5.
5. Fixer le tiroir à l'aide des 4 vis fournies. Voir la figure 6.



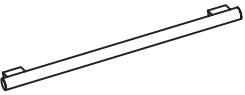


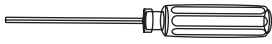

INSTALLATION DE LA POIGNÉE

1. Repérez les trous sur la face inférieure de chaque base de poignée.
2. À l'aide d'une clé Allen/hex, tourner dans le sens inverse des aiguilles d'une montre pour desserrer les vis de réglage gauche et droite.
3. Retirer la poignée avec précaution. Si vous installez une poignée, placez soigneusement la nouvelle poignée sur les goujons de montage. Ensuite, à l'aide de la clé Allen/hex, serrez les vis de réglage gauche et droite dans le sens des aiguilles d'une montre jusqu'à ce que la poignée soit fermement en place.



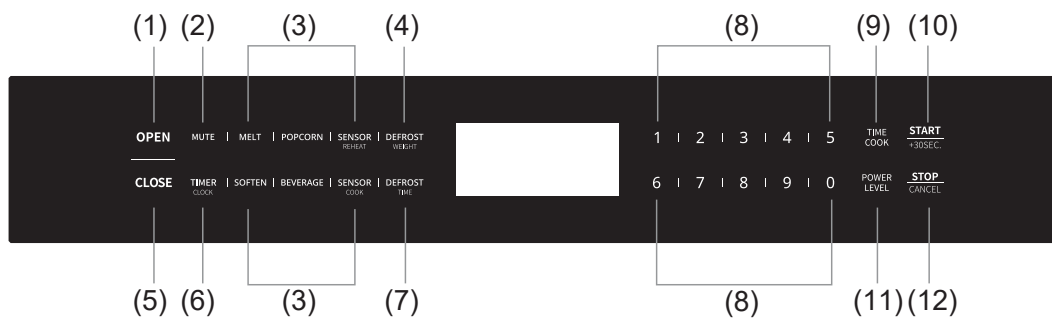
RETIRER TOUS LES FILMS ET RUBANS DE PROTECTION AVANT L'UTILISATION DE PROTECTION ET LES RUBANS ADHÉSIFS AVANT L'UTILISATION.

Liste de colisage

S/N	Liste	Quantité
1	Manuel d'instruction 	1
2	Poignée en laiton antique 	1
3	Poignée en acier inoxydable 	1
4	Vis (poignée) 	2
5	Vis 	4
6	Clé Allen/ hexagonale 	1
7	Grille de dégivrage 	1

Poignée en laiton antique / Vis (poignée) uniquement pour les unités blanches et noires.

Opération



- | | | |
|------------------|--------------------------|---------------------------|
| 1. Ouvrez | décongélation | 7. Temps de décongélation |
| 2. Configuration | 5. Fermer | 8. Touches numériques |
| 3. Menu auto | 6. Minuterie/
horloge | 9. Temps de cuisson |
| 4. Poids de | | 10. Démarrage/+30sec. |
| | | 11. Niveau de puissance |
| | | 12. Arrêt/Annulation |

1. Réglage de l'horloge :

(1) Appuyez deux fois sur la touche "TIMER/CLOCK". "12:00" clignote.

(2) Appuyez sur les touches numériques pour régler l'horloge, qui doit être comprise entre 1:00 et 12:59.

(3) Appuyez sur "START+30SEC" Ou "TIMER/CLOCK" pour terminer le réglage.

Remarque : Pendant le réglage de l'horloge, si vous appuyez sur la touche "STOP/CANCEL" ou si vous n'effectuez aucune opération dans un délai d'une minute, le four à micro-ondes revient automatiquement à l'ancien réglage.

2. Minuterie de cuisine :

(1) Appuyez une fois sur la touche "TIMER/CLOCK". le message "00:00" s'affiche.

(2) Appuyez sur les touches numériques pour régler l'horloge, qui doit être comprise entre 00:01 et 99:99.

(3) Appuyez sur "START+30SEC" Pour commencer le décompte .

3. Temps de cuisson :

10 niveaux de puissance sont disponibles

Niveau	10	9	8	7	6	5	4	3	2	1
Puissance	100%	90%	80%	70%	60%	50%	40%	30%	20%	10%
Afficher	L10	L09	L08	L07	L06	L05	L04	L03	L02	L01

(1) Appuyez une fois sur la touche "TIME COOK". le message "00:00" s'affiche.

(2) Appuyez sur les touches numériques pour régler le temps de cuisson, qui doit être compris entre 00:01 et 99:99.

(3) Appuyez une fois sur "POWER LEVEL", puis sur pour confirmer, puis appuyez plusieurs fois sur "POWER LEVEL" ou appuyez sur la touche numérique pour régler le niveau de puissance.

(4) Appuyez sur "START+30SEC" Pour commencer la cuisson.

4. Ajouter 30Sec :

(1) En état d'attente, la cuisson instantanée à un niveau de puissance de 100 % avec un temps de cuisson de 30 secondes peut être lancée en appuyant sur "START/+30SEC". Chaque pression sur le même bouton augmente le temps de cuisson de 30 secondes.

(2) Pendant le micro-ondes et la décongélation à temps, "START/+30SEC" Il est possible d'appuyer

Fonctionnement (suite)

sur la touche pour augmenter le temps de cuisson. Chaque pression augmente de 30 secondes.

5. Fonction de décongélation du poids :

(1) Appuyez sur la touche "DEFROST WEIGHT". L'écran affiche l'icône de dégivrage.

Et "0.0 lbs" s'allumera.

(2) Appuyez sur les touches numériques pour entrer le poids à décongeler. Le poids d'entrée doit être compris entre 0,1 et 6,0 livres.

(3) Appuyez sur "START/+30SEC" Pour commencer la décongélation. Le buzzer retentit une fois.

Remarque : Le signal sonore retentit deux fois pour vous rappeler de retourner les aliments pendant la décongélation.

6. Fonction de décongélation à temps :

(1) Appuyez sur la touche "DEFROST TIME". L'écran affiche l'icône de dégivrage. Et "00:00" s'allume.

(2) Appuyez sur les touches numériques pour entrer le temps de dégivrage entre 00:01-99:99.

(3) Appuyez sur "START/+30SEC" Pour commencer la décongélation.

Remarque : Le niveau de puissance de dégivrage est PL03. Il ne peut être modifié. Le signal sonore retentit deux fois pour vous rappeler de retourner les aliments pendant la décongélation.

7. Popcorn :

(1) Appuyez sur "POPCORN" pour démarrer directement la cuisson.

8. Réchauffage du capteur :

(1) En état d'attente, appuyez une fois sur "Sensor Reheat", "Sr-1" s'affiche.

(2) Appuyez plusieurs fois sur "Sensor Reheat" ou appuyez sur "1-4" pour sélectionner le menu.

(3) Appuyez sur "START+ 30SEC" Pour commencer la cuisson.

PASTA	Sr-1
PIZZA	Sr-2
PLATE	Sr-3
SOUP	Sr-4

9. Cuisson au capteur

(1) En état d'attente, appuyez une fois sur "Sensor Cook", "Sc-1" s'affiche.

(2) Appuyez plusieurs fois sur "Sensor Cook" ou sur "1-7" pour sélectionner le menu.

(3) Appuyez sur "START+30SEC" Pour commencer la cuisson.

Pomme de terre	Sc-1
Poulet	Sc-2
Poisson	Sc-3
Viande hachée	Sc-4
Légumes frais	Sc-5
Légumes surgelés	Sc-6
Légumes en conserve	Sc-7

Fonctionnement (suite)

10. Boissons :

- (1) En état d'attente, appuyez une fois sur "Beverage", "1", "01:30" s'affichent.
- (2) Appuyez plusieurs fois sur "Boisson" ou appuyez sur "1" ou "2" pour sélectionner le menu.
- (3) Appuyez sur "START+30SEC" Pour commencer la cuisson.

11. Fondre :

- (1) En état d'attente, appuyez une fois sur "MELT", "1 buTT" s'affiche.
- (2) Appuyez plusieurs fois sur "MELT" pour sélectionner le menu.
- (3) Appuyez sur "1" ou "2" pour choisir le poids correspondant.
- (4) Appuyez sur "START+30SEC" Pour commencer la cuisson.

Menu	Afficher	Poids
Beurre / Margarine	1 buTT	1 (bâton)
	2 buTT	2 (bâton)
	3 buTT	3 (bâton)
Chocolat	4 OZ	4 OZ
	8 OZ	8 OZ
Fromage	8 OZ	8 OZ
	16 OZ	16 OZ

12. Adoucir :

- (1) En état d'attente, appuyez une fois sur "SOFTEN", "1 buTT" s'affiche.
- (2) Appuyez plusieurs fois sur "SOFTEN" pour sélectionner le menu.
- (3) Appuyez sur "1" ou "2" pour choisir le poids correspondant.
- (4) Appuyez sur "START+30SEC." pour démarrer la cuisson.

Menu	Afficher	Poids
Beurre	1 buTT	1 (bâton)
	2 buTT	2 (bâton)
	3 buTT	3 (bâton)
Crème glacée/ Jus de fruits congelés	8 oz de glace	8 oz
	16 oz ICE	16 oz
	32 oz ICE	32 oz
Fromage à la crème	3 oz CHEE	3 oz
	8 oz CHEE	8 oz

13. Cuisinier multiple :

- (1) En état d'attente, appuyez une fois sur "DEFROST WEIGHT", "0.0 lbs" s'affiche.
- (2) Appuyez sur les touches numériques pour entrer le poids à décongeler. Le poids d'entrée doit être compris entre 0,1 et 6,0 livres.
- (3) Appuyez une fois sur la touche "TIME COOK". le message "00:00" s'affiche.
- (4) Appuyez sur les touches numériques pour régler le temps de cuisson, qui doit être compris entre

Fonctionnement (suite)

00:01 et 99:99.

- (5) Appuyez une fois sur "POWER LEVEL", puis sur pour confirmer, puis appuyez plusieurs fois sur "POWER LEVEL" ou appuyez sur la touche numérique pour régler le niveau de puissance.
- (6) Appuyez sur "START+30SEC." pour démarrer la cuisson.

Note : La fonction de décongélation ne peut être qu'une étape de la cuisson multiple. La cuisson en deux étapes peut être réglée au maximum.

14. Buzzer On/Off :

Pour passer en mode silencieux Appuyez sur la touche "MUTE". L'écran affiche l'icône de silence. Pour annuler le mode silencieux En mode silencieux, appuyez sur la touche "MUTE". Le buzzer retentit deux fois.

15. Fonction de verrouillage pour les enfants :

Verrouillage : En état d'attente, appuyez sur "STOP/CANCEL" pendant 3 secondes, le four à micro-ondes se met en état de verrouillage pour les enfants. L'écran affiche "Loc".

Désactivation du verrouillage : Lorsque l'appareil est verrouillé, appuyez sur "STOP/CANCEL" pendant 3 secondes pour le déverrouiller. L'écran affiche "UnLo".

16. Ouvrir/fermer la porte du four :

- Pour ouvrir la porte du four : Lorsque la porte du four est fermée, appuyez une fois sur "OPEN" pour ouvrir la porte du four.
- Pour fermer la porte du four : Lorsque la porte du four est ouverte, appuyez une fois sur "CLOSE" pour la fermer.

Remarque : Lorsque la porte du four s'ouvre automatiquement en appuyant sur "OPEN", le fait d'appuyer sur "OPEN" ou "CLOSE" arrête automatiquement l'ouverture de la porte, et le fait d'appuyer à nouveau sur la touche "OPEN" ou "CLOSE" permet d'ouvrir ou de fermer la porte du four.

17. Mode éco :

Pour passer en mode Eco lorsque la porte du micro-ondes est fermée, en état d'attente, s'il n'y a pas d'opérations dans une minute. Pour annuler le mode Eco En mode Eco, ouvrez la porte ou appuyez sur n'importe quelle touche pour l'annuler.

18. Fonction d'interrogation :

Si l'horloge a été réglée, l'heure actuelle s'affichera pendant trois secondes en appuyant sur "TIMER/CLOCK" en état de cuisson.

Dépannage

Vérifiez votre problème à l'aide du tableau ci-dessous et essayez les solutions pour chaque problème. Si le micro-ondes ne fonctionne toujours pas correctement, contactez le centre de service agréé le plus proche.

TROUBLE	CAUSE POSSIBLE	SOLUTION POSSIBLE
Il ne démarre pas	<ul style="list-style-type: none"> » Le cordon électrique du micro-ondes n'est pas branché. » La porte est ouverte. » Une opération erronée est définie. 	<ul style="list-style-type: none"> » Brancher dans la prise de courant. » Fermez la porte et réessayez. » Vérifier les instructions.
Formation d'arcs ou d'étincelles	<ul style="list-style-type: none"> » Des matériaux à éviter dans les micro-ondes ont été utilisés. » Le four à micro-ondes fonctionne lorsqu'il est vide. » Les aliments renversés restent dans la cavité. 	<ul style="list-style-type: none"> » Utilisez uniquement des ustensiles de cuisine adaptés aux micro-ondes. » Ne pas faire fonctionner le four à micro-ondes lorsqu'il est vide. » Nettoyer la cavité avec une serviette humide.
Aliments mal cuits	<ul style="list-style-type: none"> » Des matériaux à éviter dans les micro-ondes ont été utilisés. » Les aliments ne sont pas complètement décongelés. » Le temps de cuisson et le niveau de puissance ne sont pas adaptés. » Les aliments ne sont ni tournés ni remués. 	<ul style="list-style-type: none"> » Utilisez uniquement des ustensiles de cuisine adaptés aux micro-ondes. » Décongeler complètement les aliments. » Utiliser le temps de cuisson et le niveau de puissance corrects. » Tourner ou remuer les aliments.
Aliments trop cuits	Le temps de cuisson et le niveau de puissance ne sont pas adaptés.	Utiliser le temps de cuisson et le niveau de puissance corrects.
Aliments insuffisamment cuits	<ul style="list-style-type: none"> » Des matériaux à éviter dans les micro-ondes ont été utilisés. » Les aliments ne sont pas complètement décongelés. » Les orifices de ventilation sont restreints. » Le temps de cuisson et le niveau de puissance ne sont pas adaptés. 	<ul style="list-style-type: none"> » Utilisez uniquement des ustensiles de cuisine adaptés aux micro-ondes. » Décongeler complètement les aliments. » Vérifier que les orifices de ventilation des micro-ondes ne sont pas obstrués. » Utiliser le temps de cuisson et le niveau de puissance corrects.
Dégivrage incorrect	<ul style="list-style-type: none"> » Des matériaux à éviter dans les micro-ondes ont été utilisés. » Le temps de cuisson et le niveau de puissance ne sont pas adaptés. » Les aliments ne sont ni tournés ni remués. 	<ul style="list-style-type: none"> » Utilisez uniquement des ustensiles de cuisine adaptés aux micro-ondes. » Utiliser le temps de cuisson et le niveau de puissance corrects. » Tourner ou remuer les aliments.

Garantie

Ce que couvre cette garantie limitée :

La couverture de la garantie fournie par Forno Appliances dans cette déclaration s'applique exclusivement à l'appareil Forno original (" Produit ") vendu au consommateur (" Acheteur ") par un concessionnaire/distributeur/détaillant Forno agréé, acheté et installé aux États-Unis ou au Canada, et qui est toujours resté dans le pays d'achat d'origine (les États-Unis ou le Canada). La couverture de la garantie est activée à la date de l'achat initial du produit au détail et a une durée de deux (2) ans.

La couverture de la garantie n'est pas transférable. En cas de remplacement de pièces ou de l'ensemble du produit, le produit de remplacement (ou les pièces) bénéficiera de la garantie d'origine restante, activée avec le document d'achat au détail d'origine. La présente garantie n'est pas étendue à ce remplacement. Forno Appliances réparera ou remplacera tout composant/partie qui tombe en panne ou s'avère défectueux en raison des matériaux et/ou de la fabrication dans les deux ans suivant la date de l'achat au détail d'origine et dans des conditions d'utilisation résidentielle ordinaire et non commerciale. La réparation ou le remplacement sera gratuit, y compris la main-d'œuvre aux taux standard et les frais d'expédition. Il incombe à l'acheteur de rendre le produit raisonnablement accessible pour l'entretien. Le service de réparation doit être effectué par une société de service agréée par Forno pendant les heures normales de travail.

Important

Conserver la preuve de l'achat original pour établir la période de garantie. La responsabilité de Forno pour toute réclamation de quelque nature que ce soit, concernant les marchandises et/ou les services fournis, ne dépassera en aucun cas la valeur des marchandises ou des services ou d'une partie de ceux-ci qui ont donné lieu à la réclamation.

garantie cosmétique de 30 jours

L'acheteur doit inspecter le produit au moment de la livraison. Forno garantit que le produit est exempt de défauts de fabrication et de main-d'œuvre pendant une période de trente (30) jours à compter de la date d'achat au détail du produit.

Cette couverture comprend :

- Défauts de peinture
- Chips
- Défauts de finition macroscopiques

La garantie cosmétique ne couvre PAS :

- Problèmes résultant d'un transport, d'une manipulation et/ou d'une installation incorrects (par exemple : bosses, structures ou composants cassés, gauchis ou déformés, composants en verre fissurés ou autrement endommagés) ;
- Légères variations de couleur sur les composants peints/émaillés ;
- Les différences dues à l'éclairage naturel ou artificiel, à l'emplacement ou à d'autres facteurs analogues ; > les taches/corrosion/décoloration dues à des substances externes et/ou à des facteurs environnementaux ; > les coûts de main-d'œuvre, les appareils d'exposition, d'étage, de stock B, hors boîte, "en l'état" et les appareils de démonstration.

Comment recevoir un service

Pour bénéficier des services de garantie, l'acheteur doit contacter le service d'assistance de Forno afin de déterminer le problème et les procédures de service requises. Un dépannage avec un représentant du service clientèle sera nécessaire avant de poursuivre le service. Le numéro de modèle, le numéro de série et la date d'achat au détail seront demandés.

Garantie (suite)

Exclusions de la garantie : Ce qui n'est pas couvert.

- L'utilisation du produit dans une application commerciale non résidentielle.
- L'utilisation du produit à d'autres fins que celles prévues.
- Les services de réparation fournis par toute personne autre qu'une agence de service agréée par Forno.
- Les dommages ou les services de réparation pour corriger des services fournis par des parties non autorisées ou l'utilisation de pièces non autorisées.
- L'installation n'est pas conforme aux codes du feu, aux codes électriques, aux codes du gaz, aux codes de plomberie, aux codes du bâtiment, aux lois ou aux réglementations locales/de l'État/de la ville/du comté.
- Défauts ou dommages dus à un stockage inadéquat du produit.
- Défauts, dommages ou pièces manquantes sur les produits vendus hors de l'emballage d'origine ou des présentoirs. > Les appels de service ou les réparations visant à corriger une installation incorrecte du produit et/ou des accessoires connexes.
- Remplacement de pièces/appels de service pour connecter, convertir ou réparer le câblage électrique et/ou la conduite de gaz afin d'utiliser correctement le produit.
- Remplacement de pièces/appels de service pour fournir des instructions et des informations sur l'utilisation du produit.
- Remplacement de pièces/appels de service pour corriger des problèmes résultant de l'utilisation du produit d'une manière autre que celle qui est normale et habituelle pour un usage résidentiel.
- Remplacement de pièces/appels de service en raison de l'usure des composants tels que les joints, les boutons, les supports de casseroles, les étagères, les paniers à couverts, les boutons, les écrans tactiles, les plateaux en vitrocéramique rayés ou cassés.
- Remplacement des pièces/appels de service en cas de manque d'entretien ou d'entretien inadéquat, y compris, mais sans s'y limiter, l'accumulation de résidus, de taches, de rayures, de décoloration et de corrosion.
- Défauts et dommages résultant d'accidents, de modifications, d'une mauvaise utilisation, d'un abus ou d'une installation incorrecte.
- Défauts et dommages résultant du transport, de la logistique et de la manutention des produits. L'inspection du produit doit être effectuée au moment de la livraison. Après réception et inspection, le revendeur/livreur doit être informé de tout problème lié à la manutention, au transport et à la logistique.
- Défauts et dommages résultant de forces extérieures échappant au contrôle de Forno Appliances, y compris, mais sans s'y limiter, le vent, la pluie, le sable, les incendies, les inondations, les coulées de boue, les températures glaciales, l'humidité excessive ou l'exposition prolongée à l'humidité, les surtensions, la foudre, les défaillances structurelles entourant l'appareil et d'autres cas de force majeure.
- Produits dont le numéro de série a été modifié, endommagé ou altéré. En aucun cas Forno ne sera tenu pour responsable des dommages causés aux biens environnants, y compris les meubles, les armoires, les revêtements de sol, les panneaux et autres structures entourant le produit. Forno n'est pas responsable du produit s'il est situé dans une région éloignée ou dans une région où des techniciens certifiés et formés ne sont pas raisonnablement disponibles. L'acheteur doit prendre en charge les frais de transport et de livraison du produit jusqu'au centre de service agréé le plus proche ou les frais de déplacement supplémentaires d'un technicien certifié et formé

IL N'EXISTE AUCUNE GARANTIE EXPRESSE AUTRE QUE CELLES ÉNUMÉRÉES ET DÉCRITES CI-DESSUS, ET AUCUNE GARANTIE, EXPRESSE OU IMPLICITE, Y COMPRIS, MAIS SANS S'Y LIMITER, TOUTE GARANTIE IMPLICITE DE QUALITÉ MARCHANDE OU D'ADÉQUATION À UN USAGE PARTICULIER QUI S'APPLIQUERAIT APRÈS LES PÉRIODES DE GARANTIE EXPRESSE INDIQUÉES CI-DESSUS, ET AUCUNE AUTRE GARANTIE EXPRESSE OU GARANTIE DONNÉE PAR UNE PERSONNE, UNE ENTREPRISE OU UNE SOCIÉTÉ CONCERNANT CE PRODUIT NE SERA CONTRAIGNANTE POUR FORNO. FORNO N'EST PAS RESPONSABLE DES PERTES DE REVENUS OU DE PROFITS, DE LA NON-RÉALISATION D'ÉCONOMIES OU D'AUTRES AVANTAGES, DE L'ABSENCE AU TRAVAIL, DES REPAS, DE LA PERTE DE NOURRITURE OU DE BOISSONS, DES FRAIS DE VOYAGE OU D'HÔTEL, DES FRAIS DE LOCATION OU D'ACHAT D'APPAREILS, DES FRAIS DE RÉNOVATION/CONSTRUCTION DÉPASSANT LES DOMMAGES DIRECTS INDÉNIABLEMENT CAUSÉS EXCLUSIVEMENT PAR FORNO OU DE TOUT AUTRE DOMMAGE SPÉCIAL, ACCESSOIRE OU CONSÉCUTIF CAUSÉ PAR L'UTILISATION, LA MAUVAISE UTILISATION OU L'INCAPACITÉ D'UTILISER CE PRODUIT, QUELLE QUE SOIT LA THÉORIE JURIDIQUE SUR LAQUELLE REPOSE LA RÉCLAMATION, ET MÊME SI FORNO A ÉTÉ INFORMÉE DE LA POSSIBILITÉ DE TELS DOMMAGES. LE MONTANT DE TOUT RECOUVREMENT À L'ENCONTRE DE FORNO NE DOIT PAS ÊTRE SUPÉRIEUR AU PRIX D'ACHAT DU PRODUIT VENDU PAR FORNO ET À L'ORIGINE DU DOMMAGE ALLÉGUÉ. SANS PRÉJUDICE DE CE QUI PRÉCÈDE, L'ACHETEUR ASSUME TOUS LES RISQUES ET TOUTES LES RESPONSABILITÉS EN CAS DE PERTE, DE DOMMAGE OU DE BLESSURE DE L'ACHETEUR ET DE SES BIENS, AINSI QUE D'AUTRES PERSONNES ET DE LEURS BIENS, RÉSULTANT DE L'UTILISATION, DE LA MAUVAISE UTILISATION OU DE L'INCAPACITÉ D'UTILISER CE PRODUIT VENDU PAR FORNO ET NE RÉSULTANT PAS DIRECTEMENT D'UNE NÉGLIGENCE DE LA PART DE FORNO CETTE GARANTIE LIMITÉE NE S'ÉTEND À PERSONNE D'AUTRE QUE L'ACHETEUR D'ORIGINE DE CE PRODUIT, N'EST PAS TRANSFÉRABLE ET CONSTITUE VOTRE SEUL ET UNIQUE RECOURS.



Soutien à la clientèle : Appelez le 1-866-231-8893 ou envoyez un courriel à : info@forno.ca



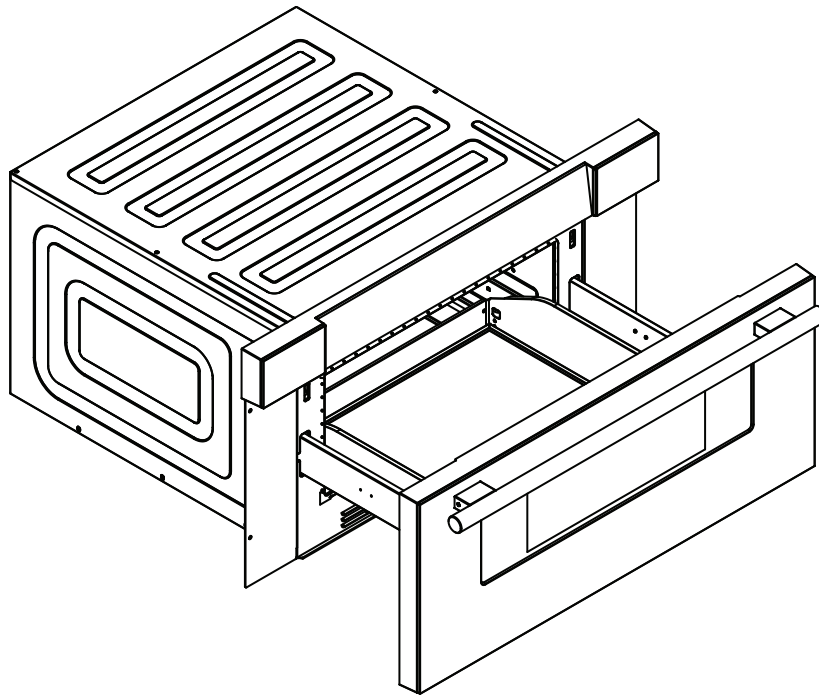
CAJÓN PARA MICROONDAS
NÚMERO DE MODELO SERIE
FMWDR3000-30 | FMWDR3000-30BLK | FMWDR3000-30WHT
MANUAL DE INSTRUCCIONES

Lea atentamente estas instrucciones antes de utilizar su microondas y consérvelas cuidadosamente.
Si sigue las instrucciones, su microondas le proporcionará muchos años de buen servicio.

ÍNDICE DE CONTENIDOS

Atención al cliente	4
Advertencia	5
Instrucciones de seguridad importantes	6
Nombres de piezas y accesorios	7
Instrucciones de conexión a tierra	7
Interferencias de radio	8
Utensilios de cocina:	8
• Materiales Que Se Pueden Utilizar En El Microondas..	9
• Materiales A Evitar En El Microondas	9
Espacio libre y dimensiones:	10
• Instrucciones de instalación del bloque antivuelco ..	11
Instalación de cajones	12
Lista de embalaje	13
Operación:	14
• Ajuste del reloj.....	14
• Temporizador de cocina.....	14
• Tiempo de cocción.....	14
• Añadir 30Seg.....	14
• Función de descongelación de peso.....	15
• Función de descongelación por tiempo.....	15
• Palomitas.....	15
• Recalentamiento del sensor.....	15
• Cocción por sensor.....	15
• Bebida.....	16
• Derretir.....	16
• Suavizar.....	17
• Cocinero múltiple.....	17
• Zumbador encendido/apagado.....	17
• Abra/cierre la puerta del horno.....	17
• Modo Eco.....	17
• Función investigadora.....	17
Solución de problemas	18
Garantía	19

CAJÓN PARA MICROONDAS



NÚMERO DE MODELO SERIE
FMWDR3000-30 | FMWDR3000-30BLK | FMWDR3000-30WHT

Atención al cliente

Gracias por adquirir un producto Frono. Lea todo el manual de instrucciones antes de poner en funcionamiento su nuevo aparato por primera vez. Tanto si es un usuario ocasional como si es un experto, le resultará beneficioso familiarizarse con las prácticas de seguridad, las características, el funcionamiento y las recomendaciones de cuidado de su electrodoméstico.

Tanto el modelo como el número de serie figuran en el interior del producto. A efectos de garantía, también necesitará la fecha de compra.

Información sobre el producto

Número de modelo : _____

Número de serie : _____

Fecha de compra : _____

Dirección y teléfono de compra : _____

Información de servicio

Utilice estos números en cualquier correspondencia o llamada de servicio relativa a su producto.

Si ha recibido un producto dañado, póngase inmediatamente en contacto con Forno.

Para ahorrar tiempo y dinero, antes de llamar al servicio técnico, consulte la guía de resolución de problemas. Enumera las causas de pequeños problemas de funcionamiento que puedes corregir tú mismo.



"Necesitas ayuda rápida? Simplemente escanee el código qr y acceda a nuestro rápido formulario de asistencia. Siempre estamos aquí para ayudarle con cualquier pregunta o duda que pueda tener. Así que no dude en ponerse en contacto"

Servicios en Canadá y Estados Unidos

Ten a mano el manual de instrucciones para resolver tus dudas. Si no entiende algo o necesita más ayuda, visite nuestro sitio web para obtener asistencia rápida. Por favor, facilítenos su nombre, número, dirección, número de serie del producto que soluciona el problema, prueba de compra y una breve descripción del problema. Un representante del servicio de atención al cliente se pondrá en contacto con usted lo antes posible. Todos los trabajos en garantía deben ser autorizados por el servicio de atención al cliente de FORNO. Todos nuestros proveedores de servicios autorizados son cuidadosamente seleccionados y rigurosamente formados por nosotros.



ADVERTENCIA

POR SU SEGURIDAD

PRECAUCIONES PARA EVITAR UNA POSIBLE EXPOSICIÓN A UN EXCESO DE ENERGÍA DE MICROONDAS

(a) **NO** intente operar este microondas con la puerta abierta ya que la operación puede resultar en una exposición dañina a la energía de microondas. Es importante no anular ni manipular los enclavamientos de seguridad.

(b) **NO** coloque ningún objeto entre la cara frontal del microondas y la puerta ni permita que se acumulen suciedad o restos de limpiador en las superficies de sellado.

(c) **NO** utilice el microondas si está dañado. Es especialmente importante que la puerta del microondas cierre correctamente y que no se produzcan daños en la:

- (1) PUERTA (doblada)
- (2) BISAGRAS Y CIERRES (rotos o sueltos)
- (3) JUNTAS DE LA PUERTA Y SUPERFICIE DE SELLADO

(d) El microondas no debe ser ajustado ni reparado por nadie excepto por personal de servicio debidamente cualificado.

ESPECIFICACIONES

Modelo	FMWDR3000-30 FMWDR3000-30BLK FMWDR3000-30WHT
Tensión nominal	120 VCA, 60 Hz
Entrada de microondas	1500 W
Salida de microondas	1000 W



ADVERTENCIA : Este producto puede exponerle a sustancias químicas que incluyen [Plomo, plomo y compuesto de plomo, que es [son] conocido por el estado de California como causante de cáncer y defectos de nacimiento u otros daños reproductivos. Para más información, visite www.P65Warning.ca.gov.

Instrucciones de seguridad importantes

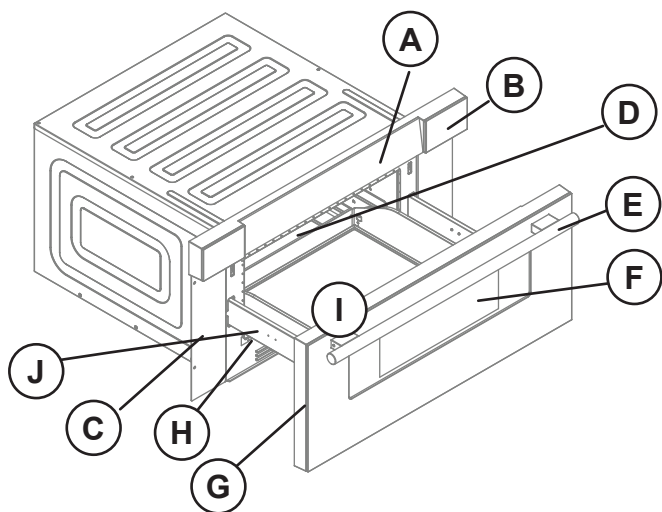
Al utilizar aparatos eléctricos deben seguirse unas precauciones básicas de seguridad, para reducir el riesgo de quemaduras, descargas eléctricas, incendios, lesiones a personas o exposición a un exceso de energía de microondas.

1. Lea todas las instrucciones antes de utilizar el aparato.
2. Lea y siga las instrucciones específicas: "PRECAUCIONES PARA EVITAR UNA POSIBLE EXPOSICIÓN A ENERGÍA DE MICROONDAS EXCESIVA" que se encuentran en la página 4.
3. Este aparato debe estar conectado a tierra. Conéctelo sólo a una toma de corriente con toma de tierra. Consulte "INSTRUCCIONES DE PUESTA A TIERRA" en la página 6.
4. Instale o ubique este aparato únicamente de acuerdo con las instrucciones de instalación suministradas.
5. Algunos productos, como los huevos enteros y los recipientes cerrados -por ejemplo, tarros de cristal cerrados-, pueden explotar y no deben calentarse en este microondas.
6. Utilice este aparato únicamente para el uso previsto, tal como se describe en el manual. **NO** utilice productos químicos o vapores corrosivos en este aparato. Este tipo de microondas está diseñado específicamente para calentar, cocer o secar alimentos. No está diseñado para uso industrial o de laboratorio.
7. LOS CONTENIDOS CALIENTES PUEDEN CAUSAR QUEMADURAS GRAVES. NO PERMITA QUE LOS NIÑOS USE EL MICROONDAS. Tenga cuidado al retirar los artículos calientes.
8. **NO** utilice este aparato si el cable o el enchufe están dañados, si no funciona o si se ha dañado o caído.
9. Este aparato sólo debe ser reparado por personal cualificado. Póngase en contacto con el servicio técnico autorizado más cercano para su examen, reparación o ajuste.
10. **NO** cubra ni bloquee ninguna abertura del aparato.
11. **NO** guarde este aparato al aire libre. **NO** utilice este producto cerca del agua - por ejemplo, cerca del fregadero de la cocina, en un sótano húmedo, cerca de una piscina o en un lugar similar.
12. **NO** sumerja el cable o el enchufe en agua.
13. Mantenga el cable alejado de la superficie caliente.
14. **NO** deje que el cable cuelgue del borde de la mesa o encimera.
15. Cuando limpie las superficies de la puerta y del microondas que se juntan al cerrar la puerta, utilice sólo jabones suaves y no abrasivos, o detergente aplicado con una esponja o paño suave.
16. Para reducir el riesgo de incendio en la cavidad del microondas 1). **NO** cocine demasiado los alimentos. Atienda con cuidado el aparato cuando se coloque papel, plástico u otros materiales combustibles dentro del microondas para facilitar la cocción. 2). Retire las bridas de alambre de la bolsa de papel o plástico antes de introducirla en el microondas. 3). Si el material del interior del microondas se inflama, mantenga la puerta del microondas cerrada, apague el microondas y desconecte el cable de alimentación, o corte la alimentación en el panel de fusibles o disyuntores. 4). **NO** utilice la cavidad para almacenar objetos. **NO** dejar productos de papel, utensilios de cocina o alimentos en la cavidad cuando no se utilicen.
17. Los líquidos, como el agua, el café o el té, pueden sobrecalentarse por encima del punto de ebullición sin que parezca que están hirviendo. No siempre se produce un burbujeo o ebullición visibles al retirar el recipiente del microondas. ESTO PODRÍA PROVOCAR LA EBULLICIÓN REPENTINA DE LÍQUIDO MUY CALIENTE CUANDO SE AGITA EL RECIPIENTE O SE INTRODUCE UN UTENSILIO EN EL LÍQUIDO. Para reducir el riesgo de lesiones a las personas 1) **NO** sobrecalentar el líquido. 2) Remover el líquido antes de calentarlo y a mitad del proceso. 3) **NO** utilizar recipientes de lados rectos y cuello estrecho. 4) Después de calentar, deje reposar el recipiente en el microondas durante un breve espacio de tiempo antes de retirarlo. 5) Tenga mucho cuidado al introducir una cuchara u otro utensilio en el recipiente.
18. **NO** hacer funcionar ningún aparato de calefacción o de cocción debajo del aparato.
19. **NO** monte la unidad sobre o cerca de ningún aparato de calefacción o cocción.
20. **NO** montar sobre fregadero.
21. **NO** guarde nada directamente sobre la superficie del aparato cuando éste esté en funcionamiento.

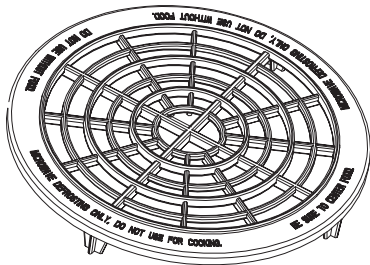
GUARDE ESTAS INSTRUCCIONES

Nombres de piezas y accesorios

Retire el microondas y todos los materiales de la caja de cartón y de la cavidad del microondas. Su microondas se suministra con los siguientes accesorios:



- A. Parche de control
- B. Caja de control
- C. Placa de montaje
- D. Cavidad
- E. Mango
- F. Windows
- G. Marco de la puerta
- H. Putter automático
- I. Cajón
- J. Junta de articulación de bisagra



Rejilla de descongelación (Sólo se puede utilizar en la función de descongelación. **NO** utilizar para cocinar. No utilizar sin alimentos)

Instrucciones de conexión a tierra

Este aparato debe estar conectado a tierra. En caso de cortocircuito eléctrico, la conexión a tierra reduce el riesgo de descarga eléctrica al proporcionar un cable de escape para el aparato está equipado con un cable que tiene un cable de conexión a tierra con un enchufe de conexión a tierra. El enchufe debe conectarse a una toma de corriente que esté correctamente instalada y conectada a tierra.

ADVERTENCIA - El uso inadecuado de la conexión a tierra puede provocar un riesgo de descarga eléctrica.

Consulte a un electricista o técnico cualificado si no comprende completamente las instrucciones de conexión a tierra, o si tiene dudas sobre si el aparato está correctamente conectado a tierra. Si es necesario utilizar un cable alargador, utilice únicamente un cable alargador de 3 hilos que tenga un enchufe de 3 clavijas con toma de tierra y un receptáculo de 3 ranuras que acepte el enchufe del aparato. El valor nominal marcado del cable alargador deberá ser igual o superior al valor nominal eléctrico del aparato.

PELIGRO - Peligro de descarga eléctrica

Tocar algunos de los componentes internos puede causar lesiones personales graves o la muerte. No desmonte este aparato.

ADVERTENCIA - Peligro de descarga eléctrica

El uso inadecuado de la toma de tierra puede provocar descargas eléctricas. No enchufe el aparato a una toma de corriente hasta que esté correctamente instalado y conectado a tierra.

1. Se suministra un cable de alimentación corto para reducir los riesgos derivados de enredarse o tropezar con un cable más largo.
2. Existen juegos de cables más largos o alargadores que pueden utilizarse siempre que se haga con cuidado.
3. Si se utiliza un cable largo o alargador: 1) La capacidad eléctrica indicada del juego de cables o del alargador debe ser como mínimo igual a la capacidad eléctrica del aparato. 2) El cable alargador debe ser un cable de 3 hilos con toma de tierra. 3) El cable más largo debe colocarse de modo que no quede tendido sobre la encimera o el tablero de la mesa, donde los niños podrían tirar de él o tropezar involuntariamente.

****ESTE DISPOSITIVO CUMPLE LA PARTE 18 DE LAS NORMAS DE LA FCC.** (SÓLO PARA EE.UU.)**

Interferencias de radio

1. El funcionamiento del microondas puede causar interferencias en su radio, TV o equipos similares.
2. Cuando se producen interferencias, éstas pueden reducirse o eliminarse adoptando las siguientes medidas: 1) Limpiar la puerta y la superficie de sellado del microondas 2) Reorientar la antena receptora de radio o televisión. 3) Reubicar el microondas con respecto al receptor. 4) Alejar el microondas del receptor. 5) Enchufe el microondas en otra toma de corriente para que el microondas y el receptor estén en circuitos derivados diferentes.

Utensilios de cocina

PRECAUCIÓN - Peligro de lesiones personales

Los recipientes herméticamente cerrados podrían explotar. Los recipientes cerrados deben abrirse y las bolsas de plástico deben perforarse antes de cocinar. Consulte las instrucciones sobre "Materiales que puede utilizar en el microondas y materiales que debe evitar en el microondas"

Puede haber ciertos utensilios de cocina no metálicos que no sean seguros para usar en el microondas. En caso de duda, puede probar el utensilio de cocina en cuestión siguiendo el procedimiento que se indica a continuación.

Prueba de utensilios de cocina:

1. Llena un recipiente apto para microondas con 1 taza de agua fría (250 ml) junto con el utensilio en cuestión.
2. Cocer a máxima potencia durante 1 minuto.
3. Palpa con cuidado el utensilio. Si el utensilio vacío está caliente, no lo utilice para cocinar con microondas.
4. No sobrepasar 1 minuto de cocción.

MATERIALES QUE SE PUEDEN UTILIZAR EN EL MICROONDAS

Material	Instrucciones
Plato para dorar	Siga las instrucciones del fabricante*. El fondo del recipiente para dorar debe quedar al menos 5 mm por encima del plato giratorio. Un uso incorrecto puede provocar la rotura del plato giratorio.

Material	Instrucciones
Vajilla	Sólo apto para microondas. Siga las instrucciones del fabricante. No utilice platos agrietados o astillados
Tarros de cristal	Retire siempre la tapa. Utilizar sólo para calentar alimentos. La mayoría de los tarros de cristal no son resistentes al calor y pueden romperse.
Cristalería	Sólo cristalería resistente al calor. Asegúrese de que no haya molduras metálicas. No utilice platos agrietados o astillados.
Bolsas de cocina	Siga las instrucciones del fabricante*. No cerrar con brida metálica. Hacer hendiduras para que salga el vapor.
Platos y vasos de papel	Utilizar sólo para cocinar/calentar a corto plazo. No deje el microondas desatendido mientras cocina.
Toallas de papel	Utilizar sólo para cocinar/calentar a corto plazo. No deje el microondas desatendido mientras cocina.
Papel de pergamino	Utilizar sólo para cocinar/calentar a corto plazo. No deje el microondas desatendido mientras cocina.
Plástico	Sólo apto para microondas. Siga las instrucciones del fabricante*. Debe llevar la etiqueta "Microwave Safe". Algunos recipientes de plástico se reblandecen cuando la comida que contienen se calienta. las "bolsas de ebullición" y las bolsas de plástico bien cerradas deben rajarse, perforarse o ventilarse según las indicaciones del envase.
Envoltorio de plástico	Sólo apto para microondas. Se utiliza para cubrir los alimentos durante la cocción para retener la humedad. No permita que el envoltorio de plástico toque los alimentos.
Termómetros	Sólo aptos para microondas (termómetros para carne y dulces).
Papel encerado	Utilícelo como tapa para evitar salpicaduras y retener la humedad.

MATERIALES A EVITAR EN EL MICROONDAS

Material	Instrucciones
Bandeja de aluminio	Puede provocar arcos eléctricos. Pasar los alimentos a un plato apto para microondas.
Envase de cartón para alimentos con asa metálica	Puede provocar arcos eléctricos. Pasar los alimentos a un plato apto para microondas.
Utensilios metálicos o con bordes metálicos	El metal protege los alimentos de la energía de las microondas. Los embellecedores metálicos pueden provocar arcos eléctricos.
Bridas metálicas	Puede provocar la formación de arcos eléctricos y podría causar un incendio en el microondas.
Bolsas de papel	Puede provocar un incendio en el microondas.
Espuma plástica	La espuma de plástico puede fundirse o contaminar el líquido de su interior si se expone a altas temperaturas.
Madera	La madera se seca al utilizarla en el microondas y puede partirse o agrietarse.

Espacios libres y dimensiones

- Deben utilizarse las dimensiones que se muestran en la **figura 1** . Las dimensiones indicadas proporcionan un espacio libre mínimo. Localice la toma eléctrica en la zona sombreada de la esquina superior izquierda del recorte. Véase **la figura 3**
- La superficie de contacto debe ser sólida y estar nivelada. Preste especial atención al suelo sobre el que se asentará el cajón del microondas. El suelo de la abertura debe ser de madera contrachapada lo suficientemente resistente como para soportar el peso del microondas (unas 100 libras).
- Compruebe que el lugar donde se va a instalar el cajón del microondas dispone de un suministro eléctrico adecuado
- El microondas puede instalarse solo en un armario o en la pared, o debajo de un microondas de pared eléctrico o de gas.
- Asegúrese de que el espacio libre del suelo entre el microondas de pared y el cajón del microondas es de un mínimo de 2 pulgadas.
- En el interior del microondas cabe fácilmente un plato alargado de 9" x 13" o una bolsa de palomitas de maíz para microondas.

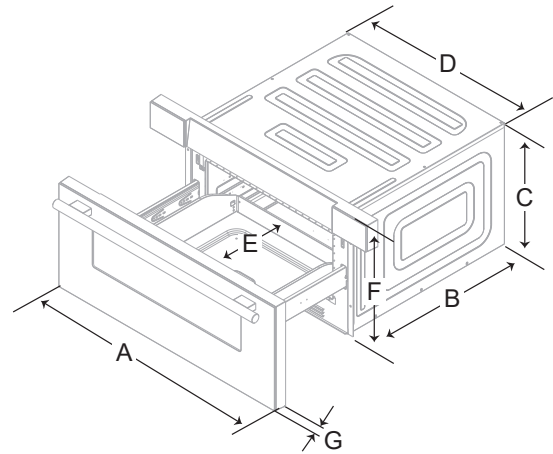
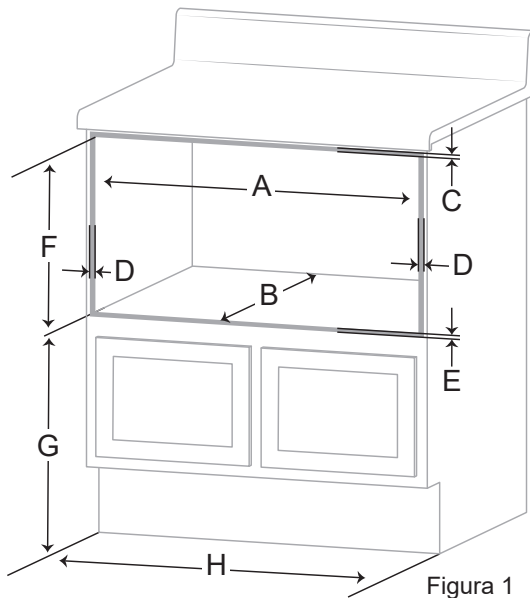


Figura 1

A	B	C	D	E	F	G	H
Máx: 28 ⁷ / ₁₆ " Mín: 22 ¹ / ₈ "	Mín: 23 ¹ / ₂ "	Deje unso- lapamiento de 3/16	Deje un solapamiento de 3/4	Deje unso- lape de 7/16	14 ¹³ / ₁₆ " Apertura	19" desde el suelo	30"

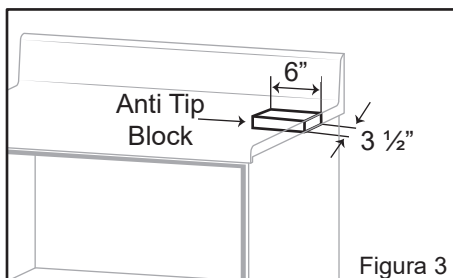
Figura 2

A	B	C	D	E	F	G
Mín: 30"	Mín: 22 ¹ / ₂ "	14 ¹⁹ / ₃₂ "	21 ⁹ / ₁₆ "	apertura de cajón de 15	16"	1 ¹¹ / ₁₆ "

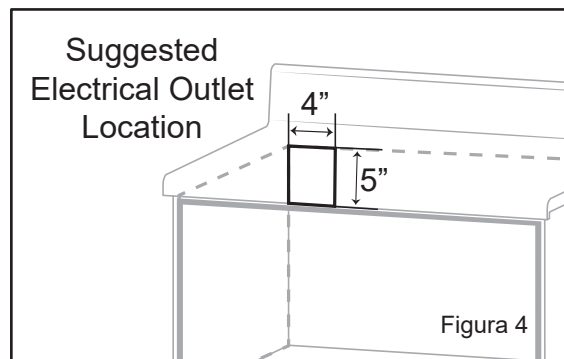
Espacios libres y dimensiones (continuación)

Las figuras 1 y 2 contienen muchas medidas del cajón para microondas que sirven de referencia a la hora de planificar la ubicación del cajón. Este cajón para microondas puede instalarse debajo de cualquier microondas de pared eléctrico o de gas. *También se puede instalar utilizando una toma de corriente eléctrica en un armario adyacente dentro de la zona donde pueda llegar el cable eléctrico suministrado con el neumático. El orificio de acceso al cable de alimentación en el armario debe tener un diámetro mínimo de 1 1/2" y estar libre de bordes afilados. Nota: Deje siempre una longitud suficiente del cable de alimentación hasta la toma de corriente para evitar tensiones. Compruebe siempre los requisitos de los códigos eléctricos.

INSTRUCCIONES DE INSTALACIÓN DEL BLOQUE ANTIVUELCO



BLOQUE ANTI-TIP



TOMA DE CORRIENTE

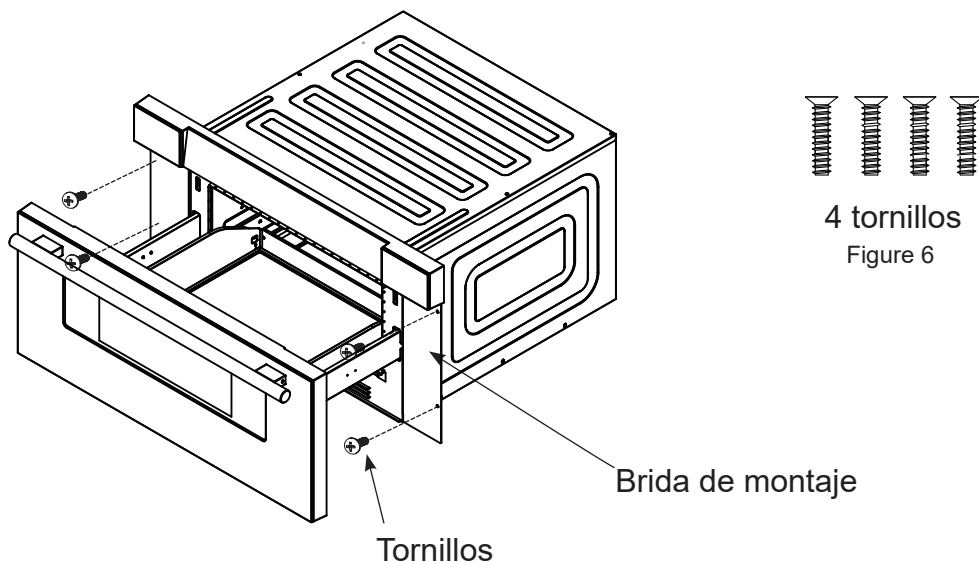
Para reducir el riesgo de vuelco del cajón, el bloque antivuelco debe instalarse correctamente a 14 13/16" pulgadas por encima del suelo sobre el que se asentará el cajón del microondas. El bloque antivuelco de 6 pulgadas debe ser suministrado por el instalador. Véanse las figuras 1 y 3. El bloque antivuelco evita las lesiones graves que podrían producirse por el derrame de líquidos calientes. Si alguna vez se traslada el cajón de microondas a otro lugar, también deberá trasladarse e instalarse el bloque antivuelco.

Al instalarlos en la pared, asegúrese de que los tornillos penetran completamente en la pared seca y son

asegurado en madera o metal para que el bloque sea totalmente estable. Al fijar, asegúrese de que los tornillos no penetren en el cableado eléctrico ni en las tuberías. Los requisitos eléctricos son 120 voltios 60 Hz, sólo CA, 15 amperios. O un suministro eléctrico más protegido. Se recomienda prever un circuito separado que sirva únicamente a este aparato.

El cajón está equipado con un enchufe de 3 clavijas con toma de tierra. Debe conectarse a un receptáculo de pared que esté correctamente instalado y conectado a tierra. Si sólo dispone de una toma de corriente de 2 clavijas, solicite a un electricista cualificado que instale una toma de pared adecuada.

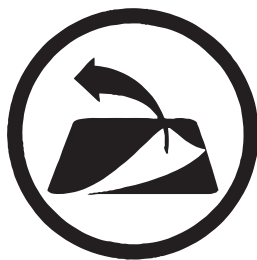
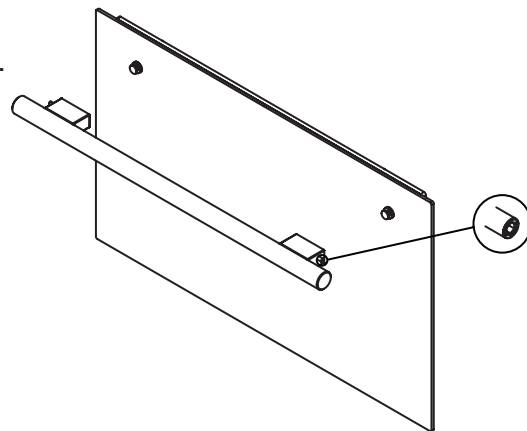
Nota: Si tiene alguna duda sobre la conexión a tierra o las instrucciones eléctricas, consulte a un electricista o técnico cualificado. *También puede instalarse utilizando una toma de corriente de un armario adyacente dentro de la zona a la que llegue el cable eléctrico suministrado. Compruebe siempre los requisitos de los códigos eléctricos.



1. Coloque el cajón junto a la pared o al hueco del armario. Enchufe el cable de alimentación a la toma de corriente.
2. Introduzca con cuidado el cajón en el hueco preparado. Evita pellizcar el cable entre el microondas y la pared.
3. Deslice el cajón hasta que la pestaña de montaje quede a ras con la cara frontal del mueble. Véase la figura 5.
4. Abra el cajón. Utilizando los 4 agujeros del cajón como plantilla, pretaladre el mueble utilizando una broca de 1/16". Véase la figura 5.
5. Fije el cajón con los 4 tornillos suministrados. Véase la figura 6.






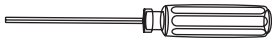

INSTALACIÓN DEL TIRADOR

1. Localice los orificios en la parte inferior de cada base de asa.
2. Con una llave Allen/hex, gire en sentido antihorario para aflojar los tornillos de fijación izquierdo y derecho.
3. Retire con cuidado el asa. Si va a instalar una empuñadura, coloque con cuidado la nueva empuñadura en los espárragos de montaje. A continuación, con la llave Allen/hex, apriete los tornillos de fijación izquierdo y derecho en el sentido de las agujas del reloj hasta que la empuñadura quede firmemente colocada.



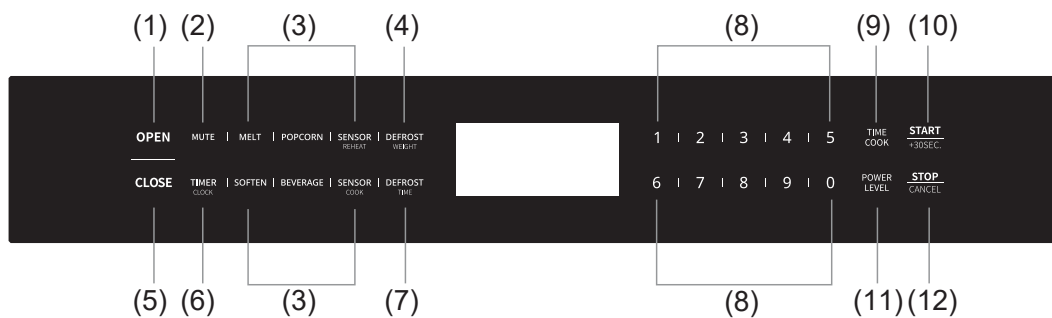
RETIRE TODAS LAS PELÍCULA PROTECTORA Y LAS CINTAS ANTES DE SU USO.

Lista de embalaje

S/N	Lista	Cantidad
1	Manual de instrucciones 	1
2	Asa de latón antiguo 	1
3	Mango de acero inoxidable 	1
4	Tornillos (Mango) 	2
5	Tornillo 	4
6	Llave Allen 	1
7	Rejilla de descongelación 	1

Mango/tornillos de latón antiguo (mango) solo para las unidades blancas y negras

Operación



- | | | |
|---------------------------|-----------------------------|-----------------------|
| 1. Abrir | 5. Cerrar | 9. Tiempo de cocción |
| 2. Configurar | 6. Temporizador/Reloj | 10. Inicio/+30seg. |
| 3. Menú Auto | 7. Tiempo de descongelación | 11. Nivel de potencia |
| 4. Peso de descongelación | 8. Teclas numéricas | 12. Parar/Cancelar |

1. Ajuste del reloj:

- (1) Pulse dos veces el botón "TIMER/CLOCK". "12:00" parpadeará.
- (2) Pulse las teclas numéricas para ajustar el reloj, debe estar dentro de 1:00~12:59.
- (3) Pulse "START+30SEC" O "TIMER/CLOCK" para finalizar el ajuste.

Nota: En el proceso de ajuste del reloj, si se pulsa el botón "STOP/CANCEL" o si no se realiza ninguna operación en 1 minuto, el microondas volverá automáticamente al ajuste anterior.

2. Temporizador de cocina:

- (1) Pulse una vez el botón "TIMER/CLOCK". aparecerá "00:00".
- (2) Pulse las teclas numéricas para ajustar el reloj, debe estar dentro de 00:01-99:99.
- (3) Pulse "START+30SEC" Para empezar la cuenta atrás .

3. Tiempo de cocción:

10 niveles de potencia disponibles

Nivel	10	9	8	7	6	5	4	3	2	1
Potencia	100%	90%	80%	70%	60%	50%	40%	30%	20%	10%
Mostrar	L10	L09	L08	L07	L06	L05	L04	L03	L02	L01

- (1) Pulse el botón "TIME COOK" una vez. aparecerá "00:00".
- (2) Pulse las teclas numéricas para ajustar el tiempo de cocción, debe estar entre 00:01-99:99.
- (3) Pulse "NIVEL DE POTENCIA" una vez, y luego para confirmar y luego pulse "NIVEL DE POTENCIA" repetidamente o pulse la tecla numérica para ajustar el nivel de potencia.
- (4) Pulse "START+30SEC" Para empezar a cocinar.

4. Añadir 30Seg:

- (1) En estado de espera, la cocción instantánea al 100% de potencia con 30 segundos de cocción puede iniciarse pulsando "START/+30SEC". Cada pulsación del mismo botón aumentará el tiempo de cocción en 30 segundos.
- (2) Durante el microondas y descongelación por tiempo, "START/+30SEC" Se puede presionar para aumentar el tiempo de cocción. Cada pulsación aumentará 30 segundos.

Funcionamiento (continuación)

5. Función de descongelación de peso:

- (1) Pulse el botón "DESCONGELAR PESO". La pantalla muestra el icono de descongelación. Y "0.0 lbs" se encenderá.
- (2) Pulse los botones numéricos para introducir el peso a descongelar. El peso de entrada debe estar entre 0,1-6,0 lbs.
- (3) Pulse "START/+30SEC" Para iniciar la descongelación. El zumbador suena una vez.

Nota: El zumbador sonará dos veces para recordarle que debe dar la vuelta a los alimentos durante la descongelación.

6. Función de descongelación por tiempo:

- (1) Pulse el botón "TIEMPO DE DESCONGELACIÓN". La pantalla muestra el icono de descongelación. Y se encenderá "00:00".
- (2) Pulse los botones numéricos para introducir el tiempo de descongelación entre 00:01-99:99.
- (3) Pulse "START/+30SEC" Para iniciar la descongelación.

Nota: El nivel de potencia de descongelación es PL03.No se puede cambiar. El zumbador sonará dos veces para recordarle que debe dar la vuelta a los alimentos durante la descongelación.

7.Palomitas:

- (1) Pulse "POPCORN" para iniciar directamente la cocción.

8.Recalentamiento por sensor:

- (1) En estado de espera, pulse "Recalentamiento Sensor" una vez, se mostrará "Sr-1".
- (2) Pulse "Recalentamiento Sensor" repetidamente o pulse "1-4" para elegir el menú.
- (3) Pulse "START+ 30SEC" Para empezar a cocinar.

PASTA	Sr-1
PIZZA	Sr-2
PLACA	Sr-3
SOPA	Sr-4

9. Cocción por sensor

- (1) En estado de espera, pulse "Sensor Cook" una vez, aparecerá "Sc-1".
- (2) Pulse "Sensor Cook" repetidamente o pulse "1-7" para elegir el menú.
- (3) Pulse "START+30SEC" Para empezar a cocinar.

Patata	Sc-1
Pollo	Sc-2
Pescado	Sc-3
Carne picada	Sc-4
Verduras frescas	Sc-5
Verduras congeladas	Sc-6
Conservas vegetales	Sc-7

Funcionamiento (continuación)

10. Bebida:

- (1) En estado de espera, pulse "Bebida" una vez, aparecerá "1", "01:30".
- (2) Pulse "Bebida" repetidamente o pulse "1" o "2" para elegir el menú.
- (3) Pulse "START+30SEC" Para empezar a cocinar.

11. Derretir:

- (1) En estado de espera, pulse "MELT" una vez, aparecerá "1 buTT".
- (2) Pulse "MELT" repetidamente para seleccionar el menú.
- (3) Pulse "1" o "2" para elegir el peso correspondiente.
- (4) Pulse "START+30SEC" Para empezar a cocinar.

Menú	Mostrar	Peso
Mantequilla / Margarina	1 buTT	1 (Palo)
	2 buTT	2 (Palo)
	3 buTT	3 (Palo)
Chocolate	4 OZ	4 OZ
	8 OZ	8 OZ
Queso	8 OZ	8 OZ
	16 OZ	16 OZ

12. Suavizar:

- (1) En estado de espera, pulse "SOFTEN" una vez, aparecerá "1 buTT".
- (2) Pulse repetidamente "SOFTEN" para seleccionar el menú.
- (3) Pulse "1" o "2" para elegir el peso correspondiente.
- (4) Pulse "START+30SEC." para iniciar la cocción.

Menú	Mostrar	Peso
Mantequilla	1 buTT	1 (Palo)
	2 buTT	2 (Palo)
	3 buTT	3 (Palo)
Helado/ Zumo helado	8 oz ICE	8 onzas
	16 oz ICE	16 onzas
	32 oz ICE	32 oz
Queso crema	3 oz CHEE	3 oz
	8 oz CHEE	8 onzas

13. Cocinero múltiple:

- (1) En estado de espera, pulse "PESO DESCONGELADO" una vez, aparecerá "0.0 lbs".
- (2) Pulse los botones numéricos para introducir el peso a descongelar. El peso de entrada debe estar entre 0,1-6,0 lbs.
- (3) Pulse el botón "TIME COOK" una vez. aparecerá "00:00".
- (4) Pulse las teclas numéricas para ajustar el tiempo de cocción, debe estar entre 00:01-99:99.

Funcionamiento (continuación)

- (5) Pulse "NIVEL DE POTENCIA" una vez, y luego para confirmar y luego pulse "NIVEL DE POTENCIA" repetidamente o pulse la tecla numérica para ajustar el nivel de potencia.
- (6) Pulse "START+30SEC." para iniciar la cocción.

Nota: La función de descongelación sólo puede ser una etapa de la cocción múltiple. Como máximo se pueden programar dos fases de cocción.

14. Zumbador encendido/apagado:

Para entrar en modo silencio Pulse el botón "MUTE". La pantalla muestra el icono de silencio. Para cancelar el modo silencioso En modo silencioso, pulse el botón "MUTE". El zumbador sonará dos veces.

15. Función de bloqueo para niños:

Bloqueo: En estado de espera, pulse "STOP/CANCEL" durante 3 segundos, el microondas entrará en estado de bloqueo para niños. La pantalla mostrará "Loc".

Desbloqueo: En estado bloqueado, pulse "STOP/CANCEL" durante 3 segundos para liberar el bloqueo. La pantalla mostrará "UnLo".

16. Abra/cierre la puerta del horno:

- Para abrir la puerta del horno: En el estado de puerta del horno cerrada, pulse "OPEN" una vez para abrir la puerta del horno.
- Para cerrar la puerta del horno: En el estado de puerta del horno abierta, pulse "CERRAR" una vez para cerrar la puerta del horno.

Nota: Durante la apertura automática de la puerta del horno al pulsar "ABRIR", al pulsar "ABRIR" o "CERRAR" se detendrá automáticamente la apertura de la puerta, y al pulsar de nuevo el botón "ABRIR" o "CERRAR" se abrirá o cerrará la puerta del horno.

17. Modo Eco:

Para entrar en modo Eco cuando la puerta del microondas está cerrada, en estado de espera, si no hay ninguna operación en 1 minuto. Para cancelar el modo Eco En el modo Eco, abra la puerta o pulse cualquier tecla para cancelarlo.

18. Función investigadora:

Si se ha configurado el reloj, la hora actual se mostrará durante tres segundos presionando "TIMER/CLOCK" en el estado de cocción.

Solución de problemas

Comprueba tu problema utilizando la tabla siguiente y prueba las soluciones para cada problema. Si el microondas sigue sin funcionar correctamente, póngase en contacto con el servicio técnico autorizado más cercano.

TROUBLE	POSIBLE CAUSA	POSIBLE REMEDIO
No arranca	<ul style="list-style-type: none"> » El cable eléctrico del microondas no está enchufado. » La puerta está abierta. » Se ha configurado una operación incorrecta. 	<ul style="list-style-type: none"> » Enchúfalo a la toma de corriente. » Cierra la puerta e inténtalo de nuevo. » Compruebe las instrucciones.
Arcos o chispas	<ul style="list-style-type: none"> » Se utilizaron materiales que debían evitarse en el microondas. » El microondas funciona cuando está vacío. » La comida derramada permanece en la cavidad. 	<ul style="list-style-type: none"> » Utilice únicamente utensilios de cocina aptos para microondas. » No utilizar con el microondas vacío. » Limpie la cavidad con una toalla húmeda.
Alimentos cocinados de forma desigual	<ul style="list-style-type: none"> » Se utilizaron materiales que debían evitarse en el microondas. » Los alimentos no se descongelan completamente. » El tiempo de cocción y el nivel de potencia no son adecuados. » Los alimentos no se voltean ni se remueven. 	<ul style="list-style-type: none"> » Utilice únicamente utensilios de cocina aptos para microondas. » Descongelar completamente los alimentos. » Utilice el tiempo de cocción y el nivel de potencia correctos. » Girar o remover los alimentos.
Alimentos demasiado cocidos	El tiempo de cocción y el nivel de potencia no son adecuados.	Utilice el tiempo de cocción y el nivel de potencia correctos.
Alimentos poco cocinados	<ul style="list-style-type: none"> » Se utilizaron materiales que debían evitarse en el microondas. » Los alimentos no se descongelan completamente. » Los orificios de ventilación están restringidos. » El tiempo de cocción y el nivel de potencia no son adecuados. 	<ul style="list-style-type: none"> » Utilice únicamente utensilios de cocina aptos para microondas. » Descongelar completamente los alimentos. » Compruebe que los orificios de ventilación de las microondas no estén obstruidos. » Utilice el tiempo de cocción y el nivel de potencia correctos.
Descongelación incorrecta	<ul style="list-style-type: none"> » Se utilizaron materiales que debían evitarse en el microondas. » El tiempo de cocción y el nivel de potencia no son adecuados. » Los alimentos no se voltean ni se remueven. 	<ul style="list-style-type: none"> » Utilice únicamente utensilios de cocina aptos para microondas. » Utilice el tiempo de cocción y el nivel de potencia correctos. » Girar o remover los alimentos.

Garantía

Qué cubre esta garantía limitada:

La cobertura de la Garantía proporcionada por Forno Appliances en esta declaración se aplica exclusivamente al electrodoméstico Forno original ("Producto") vendido al consumidor ("Comprador") por un concesionario/distribuidor/minorista Forno autorizado, comprado e instalado en Estados Unidos o Canadá, y que siempre ha permanecido dentro del país de compra original (Estados Unidos o Canadá). La cobertura de la garantía se activa en la fecha de la compra original al por menor del Producto y tiene una duración de dos (2) años.

La cobertura de la garantía no es transferible. En caso de sustitución de piezas o de todo el producto, el Producto de sustitución (o las piezas) asumirá el resto de la Garantía original activada con el documento original de compra al por menor. Esta Garantía no se extenderá con respecto a dicha sustitución. Forno Appliances reparará o sustituirá cualquier componente o pieza que falle o resulte defectuoso debido a los materiales o a la mano de obra en un plazo de 2 años a partir de la fecha de la compra original al por menor y en condiciones de uso residencial ordinario y no comercial. La reparación o sustitución será gratuita, incluida la mano de obra a tarifas estándar y los gastos de envío. El Comprador es responsable de hacer que el Producto sea razonablemente accesible para el servicio. El servicio de reparación debe ser realizado por un Servicio Técnico Autorizado Forno durante el horario normal de trabajo.

Importante

Conserve el comprobante de compra original para establecer el período de garantía. La responsabilidad de Forno en cualquier reclamación de cualquier tipo, con respecto a los bienes y/o servicios prestados, no superará en ningún caso el valor de los bienes o servicios o parte de los mismos que haya dado lugar a la reclamación.

garantía cosmética de 30 días

El Comprador debe inspeccionar el producto en el momento de la entrega. Forno garantiza que el Producto está libre de defectos de fabricación en materiales y mano de obra durante un período de treinta (30) días a partir de la fecha de la compra original al por menor del Producto.

Esta cobertura incluye:

- Manchas de pintura
- Fichas
- Defectos macroscópicos de acabado

La garantía cosmética NO cubre:

- Problemas derivados de un transporte, manipulación y/o instalación incorrectos (por ejemplo: abolladuras, estructuras o componentes rotos, alabeados o deformados, componentes de cristal agrietados o dañados de cualquier otra forma);
- Ligeras variaciones de color en los componentes pintados/esmaltados;
- Diferencias causadas por iluminación natural o artificial, ubicación u otros factores análogos; > manchas/corrosión/descoloración causadas por sustancias externas y/o factores ambientales; > costes de mano de obra, exposición, suelo, existencias B, aparatos "tal cual" y unidades de demostración.

Cómo recibir el servicio

Para recibir los servicios de garantía, el Comprador debe ponerse en contacto con el departamento de Asistencia de Forno para determinar el problema y los procedimientos de servicio necesarios. Será necesario que un representante del servicio de atención al cliente resuelva el problema antes de seguir adelante con el servicio. Se solicitará el número de modelo, el número de serie y la fecha de compra original al por menor.

Garantía (continuación)

Exclusiones de la garantía: Lo que no está cubierto.

- Uso del Producto en cualquier aplicación comercial no residencial.
- Utilización del Producto para fines distintos de los previstos.
- Servicios de reparación prestados por cualquier persona que no sea una agencia de Servicio Autorizado Forno.
- Daños o servicios de reparación para corregir servicios prestados por terceros no autorizados o el uso de piezas no autorizadas.
- Instalación no conforme con los códigos locales/ estatales/de ciudad/condado contra incendios, códigos eléctricos, códigos de gas, códigos de fontanería, códigos de construcción, leyes o reglamentos.
- Defectos o daños debidos a un almacenamiento inadecuado del Producto.
- Defectos, daños o piezas faltantes en productos vendidos fuera del embalaje original de fábrica o procedentes de expositores. > Llamadas de servicio o reparaciones para corregir una instalación incorrecta del Producto y/o accesorios relacionados.
- Sustitución de piezas/llamadas al servicio técnico para conectar, convertir o reparar de otro modo el cableado eléctrico y/o la tubería de gas con el fin de utilizar correctamente el producto.
- Sustitución de piezas/llamadas de servicio para proporcionar instrucciones e información sobre el uso del Producto.
- Sustitución de piezas o llamadas al servicio técnico para corregir problemas derivados de un uso del producto distinto del normal y habitual para uso residencial.
- Sustitución de piezas/llamadas al servicio técnico debido al desgaste de componentes como juntas, pomos, soportes de cacerolas, estantes, cestas para cubiertos, botones, pantallas táctiles, encimeras de vitrocerámica rayadas o rotas.
- Sustitución de piezas/reclamaciones de servicio por falta de mantenimiento o mantenimiento inadecuado, incluidos, entre otros: acumulación de residuos, manchas, arañazos, decoloración, corrosión.
- Defectos y daños derivados de accidentes, alteraciones, uso indebido, abuso o instalación incorrecta.
- Defectos y daños derivados del transporte, la logística y la manipulación del producto. La inspección del producto debe realizarse en el momento de la entrega. Tras la recepción e inspección, se debe notificar al concesionario vendedor/empresa de transporte cualquier problema derivado de la manipulación, el transporte y la logística.
- Defectos y daños derivados de fuerzas externas ajenas al control de Forno Appliances, incluidos, entre otros, el viento, la lluvia, la arena, los incendios, las inundaciones, los corrimientos de tierra, las temperaturas bajo cero, la humedad excesiva o la exposición prolongada a la humedad, las subidas de tensión, los rayos, los fallos estructurales en torno al aparato y otras causas de fuerza mayor.
- Productos cuyo número de serie ha sido alterado/dañado/manipulado. En ningún caso se considerará a Forno responsable de los daños causados a la propiedad circundante, incluidos muebles, armarios, suelos, paneles y otras estructuras que rodeen al Producto. Forno no se hace responsable del Producto si éste se encuentra en una zona remota o en una zona en la que no se disponga razonablemente de técnicos formados y certificados. El Comprador deberá correr con los gastos de transporte y entrega del Producto al Centro de Servicio Autorizado más cercano o con los gastos adicionales de desplazamiento de un técnico formado y certificado

NO EXISTEN GARANTÍAS EXPRESAS DISTINTAS DE LAS ENUMERADAS Y DESCRITAS ANTERIORMENTE, NI GARANTÍAS EXPRESAS O IMPLÍCITAS, INCLUIDAS, ENTRE OTRAS, LAS GARANTÍAS IMPLÍCITAS DE COMERCIABILIDAD O IDONEIDAD PARA UN FIN DETERMINADO QUE SE APLICARÁN DESPUÉS DE LOS PERÍODOS DE GARANTÍA EXPRESA INDICADOS ANTERIORMENTE, Y NINGUNA OTRA GARANTÍA EXPRESA O GARANTÍA OFRECIDA POR CUALQUIER PERSONA, EMPRESA O CORPORACIÓN CON RESPECTO A ESTE PRODUCTO SERÁ VINCULANTE PARA FORNO. FORNO NO SERÁ RESPONSABLE DE LA PÉRDIDA DE INGRESOS O BENEFICIOS, DE LA IMPOSIBILIDAD DE REALIZAR AHORROS U OTROS BENEFICIOS, DEL TIEMPO DE AUSENCIA DEL TRABAJO, DE LAS COMIDAS, DE LA PÉRDIDA DE ALIMENTOS O BEBIDAS, DE LOS GASTOS DE VIAJE U HOTEL, DE LOS GASTOS DE ALQUILER O COMPRA DE ELECTRODOMÉSTICOS, DE LOS GASTOS DE REMODELACIÓN/CONSTRUCCIÓN QUE EXCEDAN DE LOS DAÑOS DIRECTOS CAUSADOS INNEGABLEMENTE DE FORMA EXCLUSIVA POR FORNO O DE CUALQUIER OTRO DAÑO ESPECIAL, INCIDENTAL O CONSECUENTE CAUSADO POR EL USO, MAL USO O IMPOSIBILIDAD DE USO DE ESTE PRODUCTO, INDEPENDIENTEMENTE DE LA TEORÍA LEGAL EN LA QUE SE BASE LA RECLAMACIÓN, E INCLUSO SI FORNO HA SIDO ADVERTIDO DE LA POSIBILIDAD DE DICHOS DAÑOS. NI LA RECUPERACIÓN DE NINGÚN TIPO CONTRA FORNO SERÁ SUPERIOR EN IMPORTE AL PRECIO DE COMPRA DEL PRODUCTO VENDIDO POR FORNO Y CAUSANTE DEL SUPUESTO DAÑO. SIN PERJUICIO DE LO ANTERIOR, EL COMPRADOR ASUME TODOS LOS RIESGOS Y RESPONSABILIDADES POR PÉRDIDAS, DAÑOS O LESIONES AL COMPRADOR Y A SUS BIENES, ASÍ COMO A TERCEROS Y A SUS BIENES, DERIVADOS DEL USO, MAL USO O IMPOSIBILIDAD DE USO DE ESTE PRODUCTO VENDIDO POR FORNO QUE NO SEAN CONSECUENCIA DIRECTA DE NEGLIGENCIA POR PARTE DE FORNO ESTA GARANTÍA LIMITADA NO SE EXTENDERÁ A NADIE MÁS QUE AL COMPRADOR ORIGINAL DE ESTE PRODUCTO, NO ES TRANSFERIBLE Y ESTABLECE SU RECURSO EXCLUSIVO.



PN:16170000B01348

Atención al cliente: Llame al 1-866-231-8893 o envíe un correo electrónico a: info@forno.ca