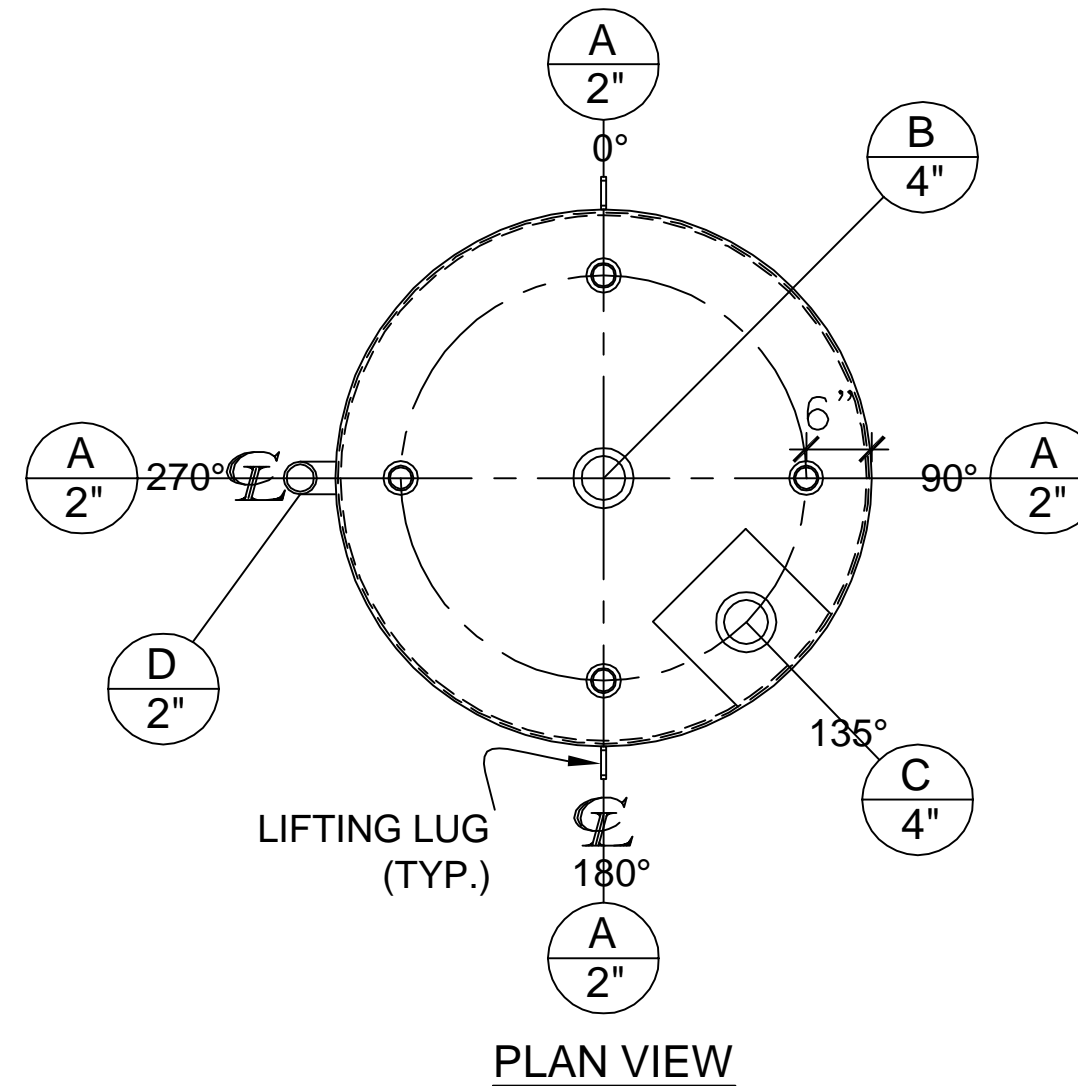



NOZZLE SCHEDULE								
ITEM	SIZE	RATING	TYPE	MATL	PROJ. IN	PROJ. OUT	REMARKS	NOTES
A	2"	N.P.T.	CPL.	C.S.	STD.	STD.	-	-
B	4"	N.P.T.	CPL.	C.S.	STD.	STD.	PRIMARY	EMERGENCY VENT OPENING
C	4"	N.P.T.	CPL.	C.S.	STD.	STD.	SECONDARY	EMERGENCY VENT OPENING
D	2"	N.P.T.	PIPE	C.S.	STD.	STD.	-	MONITORING PORT



**NOTES:**

- A. Quantity: One
- B. Material: H.R. Carbon Steel.
- C. Design Pressure: Atmospheric.
- D. Design Temperature: Ambient.
- E. Built & labeled per U.L. spec. #142.
- F. Exterior: One coat gray primer. See sales order for top coat.
- G. All fittings to be protected for shipment.
- H. Customer to verify nozzle sizes, locations and quantities.

\*All pages of this Schedule A are incorporated by reference and are a part of the additional terms of the Master Terms & Conditions of Sale.  
[www.newberrytanks.com/masterterms.pdf](http://www.newberrytanks.com/masterterms.pdf)

APPROVAL FOR CONSTRUCTION SCHEDULE A - MASTER TERMS & CONDITIONS OF SALE*		SALES ORDER#	
<input type="checkbox"/> APPROVED AS DRAWN.		 Phone: 870-735-4473 Fax: 870-735-3982	
<input type="checkbox"/> APPROVED WITH NOTED CHANGES, CONSTRUCTION WILL BE SCHEDULED WHEN SIGNED DRAWING AND CONFIRMED ORDER ARE RECEIVED.			
SIGNATURE: _____ DATE: _____		VESSEL DESCRIPTION: 550 Gallon 48" I.D. x 6'-0" Shell Height Double Wall Vertical Tank	
CUSTOMER: _____		P.O.# _____	
DATE: _____	SCALE: _____	DWG.# NB00550DWW04812G	DRAWN BY: TC CHKD. BY: _____

This drawing may contain CONFIDENTIAL information and is intended only for the use of the specific individual(s) to which it is addressed.