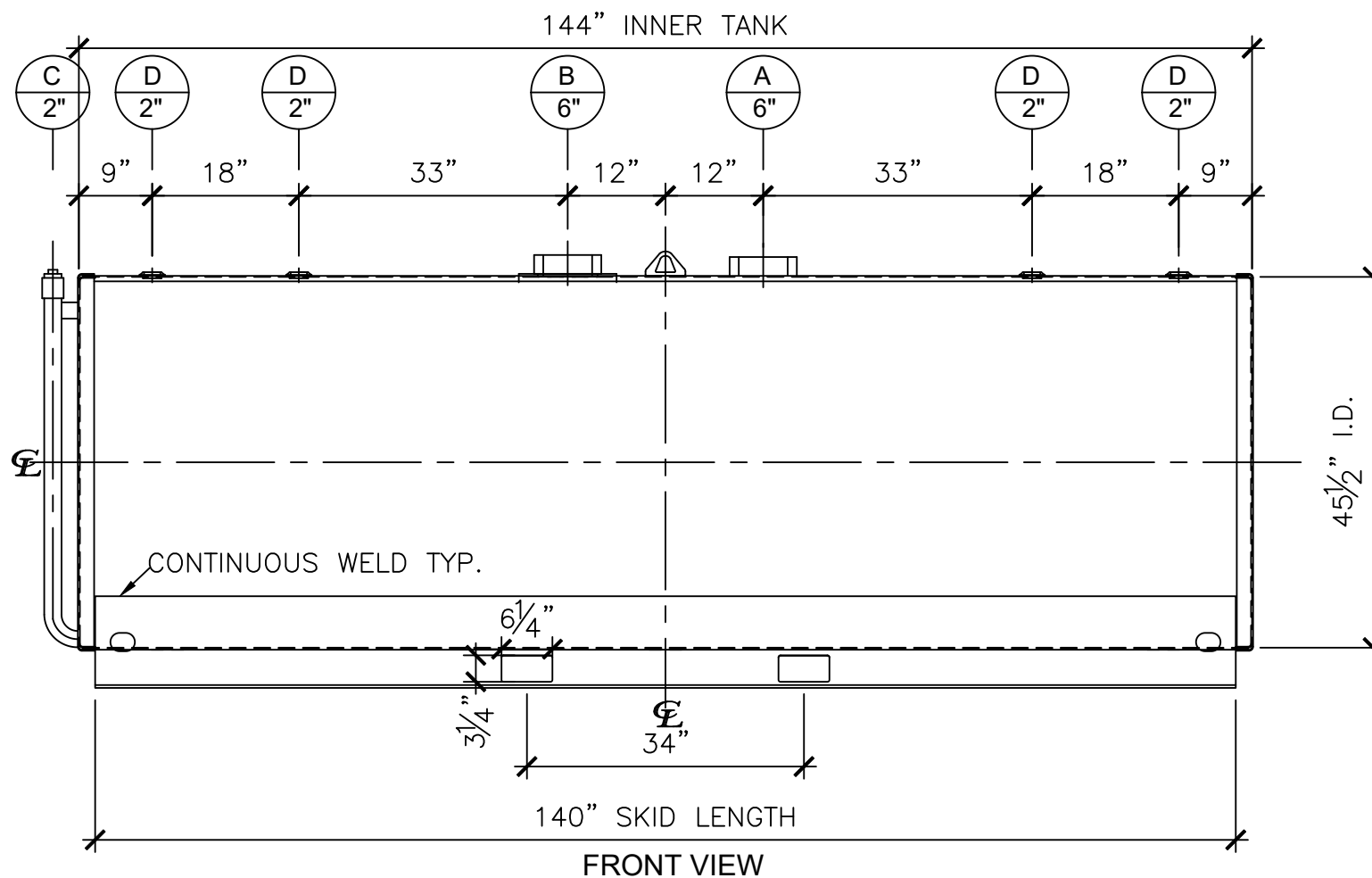
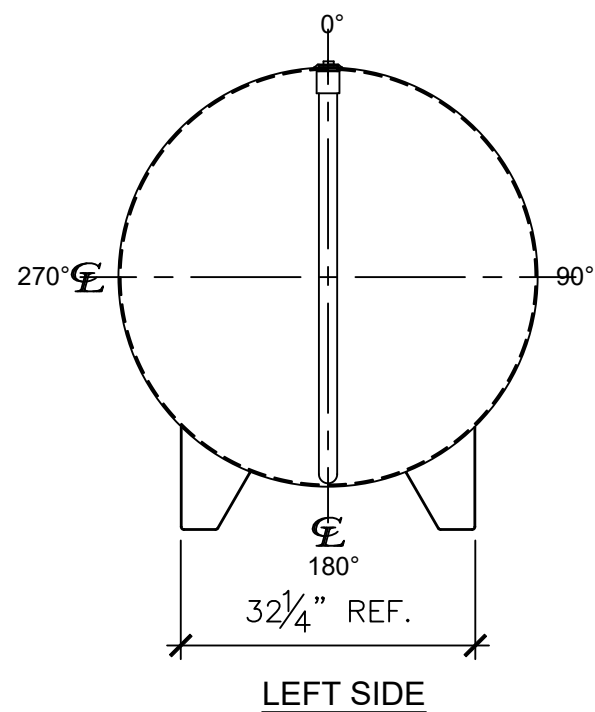


NOZZLE SCHEDULE						
ITEM	SIZE	RATING	TYPE	MATL	REMARKS	NOTES
A	6"	N.P.T.	H.CPL.	C.S.	PRIMARY	EMERGENCY VENT OPENING
B	6"	N.P.T.	H.CPL.	C.S.	SECONDARY	EMERGENCY VENT OPENING
C	2"	PIPE	W.F.	C.S.		MONITORING PORT
D	2"	N.P.T.	W.F.	C.S.		



NOTES:

- A. Quantity:
- B. Material: H.R. Carbon Steel.
- C. Design Pressure: Atmospheric.
- D. Design Temperature: Ambient.
- E. Built & labeled per U.L. spec. #142.
- F. Exterior: Gray primer included; see Sales Order for top coat.
- G. All fittings to be protected for shipment.
- H. Customer to verify nozzle sizes, locations and quantities.
- I. Saddles/skids may require shimming or grouting during installation.

*All pages of this Schedule A are incorporated by reference and are a part of the additional terms of the Master Terms & Conditions of Sale.
www.newberrytanks.com/masterterms.pdf

APPROVAL FOR CONSTRUCTION
 SCHEDULE A - MASTER TERMS &
 CONDITIONS OF SALE*

APPROVED AS DRAWN.
 APPROVED WITH NOTED CHANGES,
 CONSTRUCTION WILL BE SCHEDULED
 WHEN SIGNED DRAWING AND
 CONFIRMED ORDER ARE RECEIVED.
 SIGNATURE: _____
 DATE: _____

SALES ORDER#



Phone: 870-735-4473 Fax: 870-735-3982

VESSEL DESCRIPTION:
 1000 Gallon 45 1/2" I.D. x 12'-0" O.A.L. Double Wall Skid Tank

CUSTOMER:		P.O.#	
DATE:	SCALE:	DWG.#	DRAWN BY: TC
-	-	NB01000DWS45510G	CHKD. BY:

This drawing may contain CONFIDENTIAL information and is intended only for the use of the specific individual(s) to which it is addressed.