

8 7 6 5 4 3 2 1

D

C

B

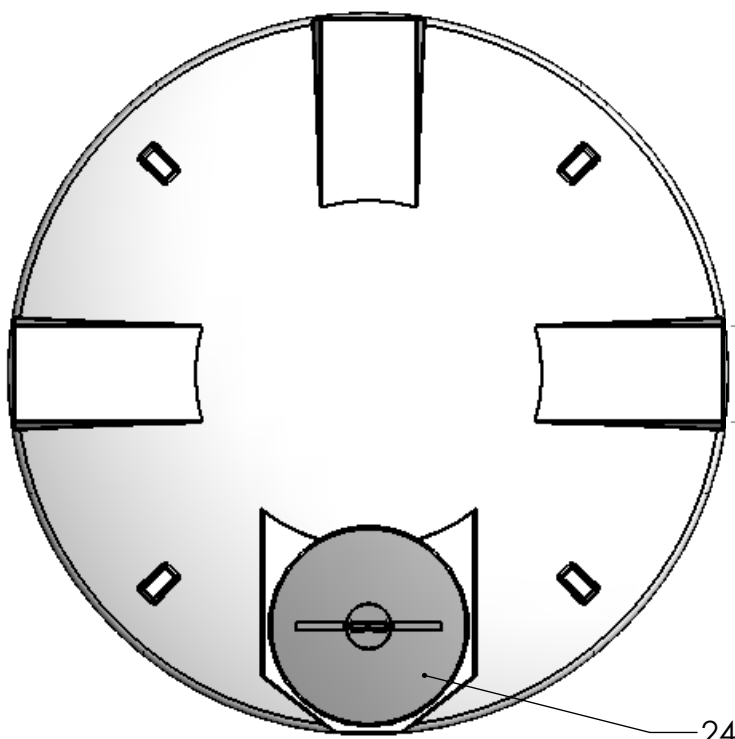
A

D

C

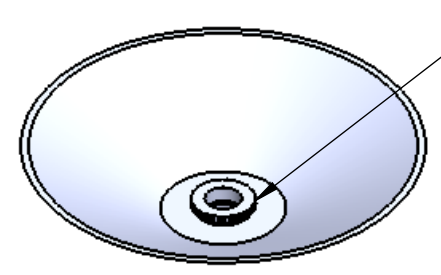
B

A



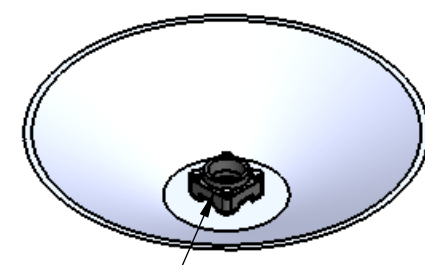
12"

24" THREADED LID
W/BREATHER

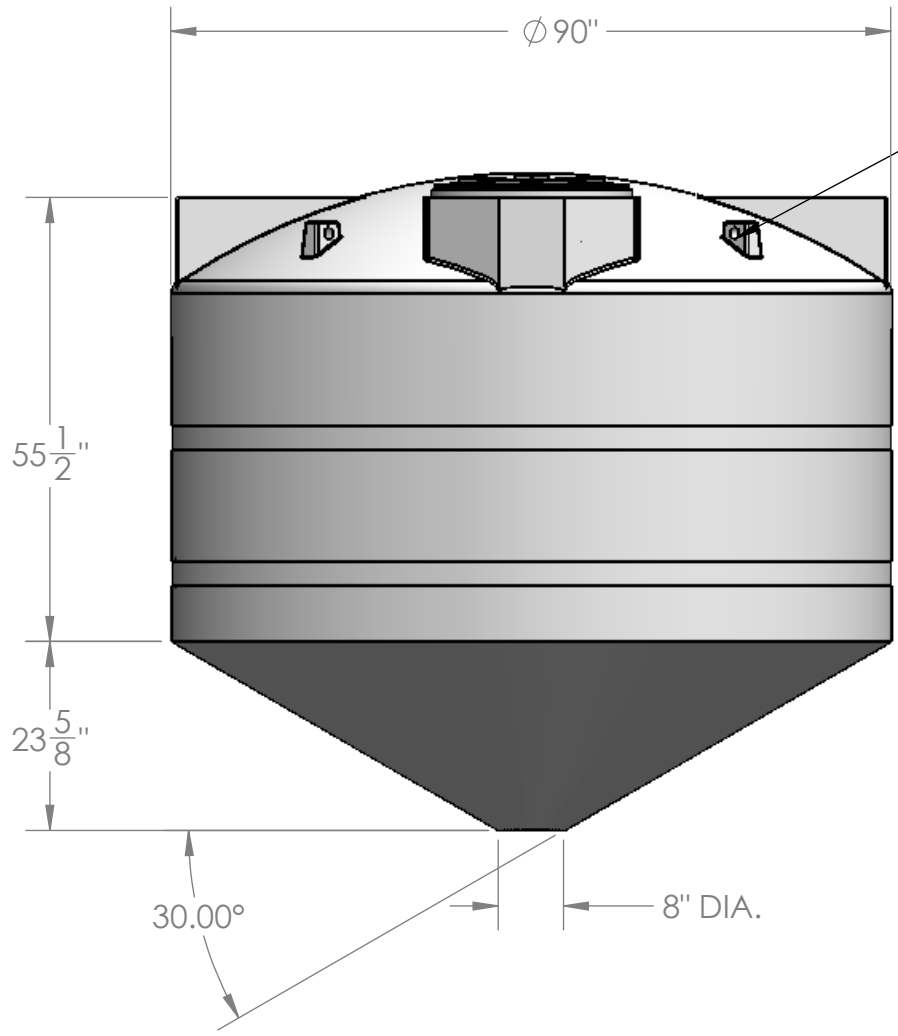
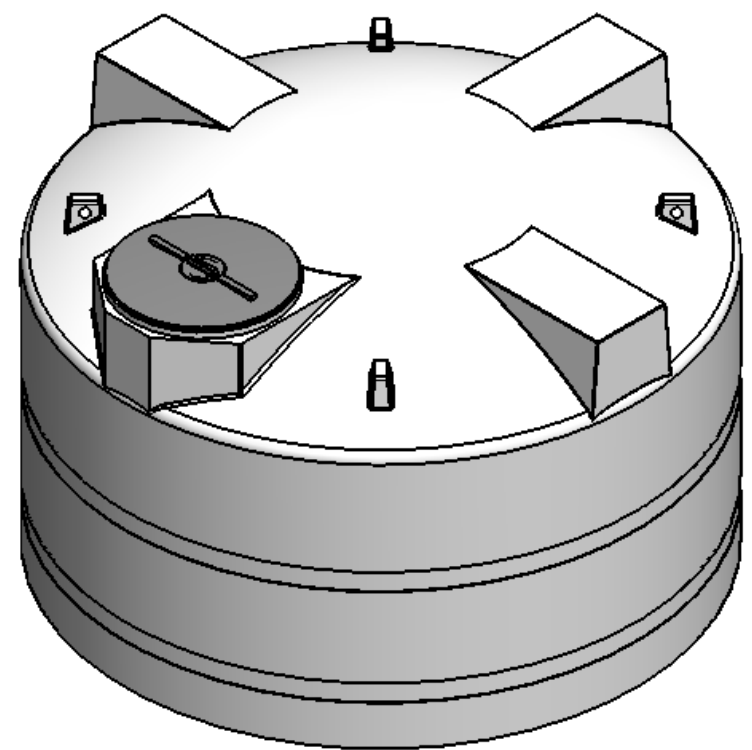


2" POLYPRO
W/EPDM GASKET
STANDARD

FITTINGS



2" BANJO FULL DRAIN
W/EPDM GASKET
OPTIONAL UPGRADE



Ø 90"

55 1/2"

23 5/8"

30.00°

8" DIA.

LIFTING EYE
(4) PLCS.

NOTES:

- 1. MATERIAL: HDPE
- 2. WEIGHT: 410 LBS.
- 3. RATED: 2.0 S.G.

PROPRIETARY AND CONFIDENTIAL
THE INFORMATION CONTAINED IN THIS DRAWING IS THE SOLE PROPERTY OF <INSERT COMPANY NAME HERE>. ANY REPRODUCTION IN PART OR AS A WHOLE WITHOUT THE WRITTEN PERMISSION OF <INSERT COMPANY NAME HERE> IS PROHIBITED.

		UNLESS OTHERWISE SPECIFIED:		NAME	DATE	CUSTOM ROTO-MOLDING, INC.	
		DIMENSIONS ARE IN INCHES		DRAWN	EBW	6-13-12	
		TOLERANCES:		CHECKED			TITLE:
		FRACTIONAL ±		ENG APPR.			1600 GALLON CONE
		ANGULAR: MACH ± BEND ±		MFG APPR.			BOTTOM TANK
		TWO PLACE DECIMAL ±		Q.A.			SIZE
		THREE PLACE DECIMAL ±		COMMENTS:			DWG. NO.
		INTERPRET GEOMETRIC TOLERANCING PER:					REV
		MATERIAL					B
		FINISH					1600 CB
NEXT ASSY	USED ON	DO NOT SCALE DRAWING					SCALE: 1:32
							WEIGHT:
							SHEET 1 OF 1

8 7 6 5 4 3 2 1