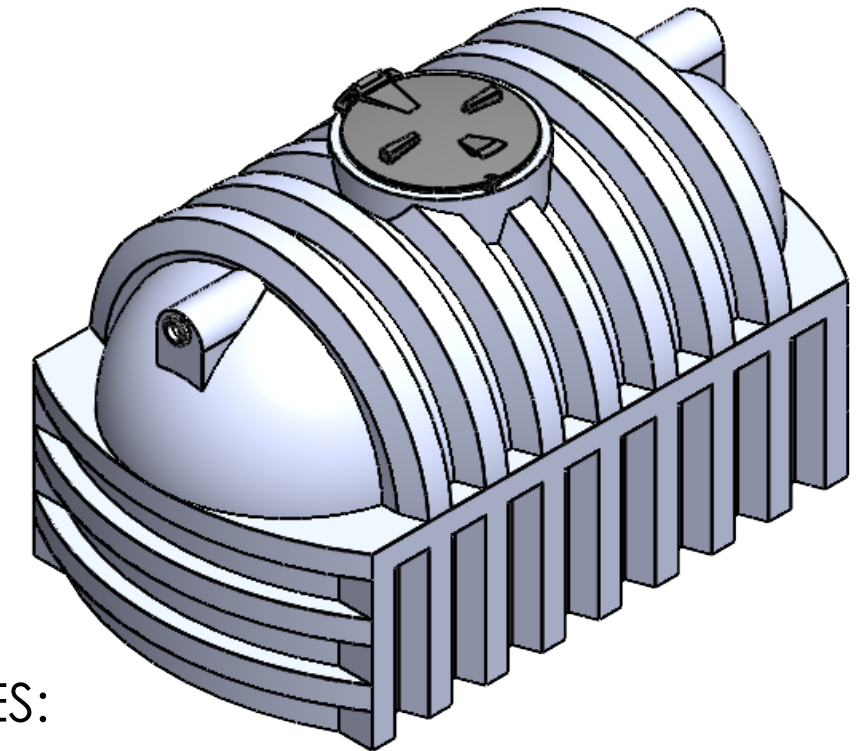
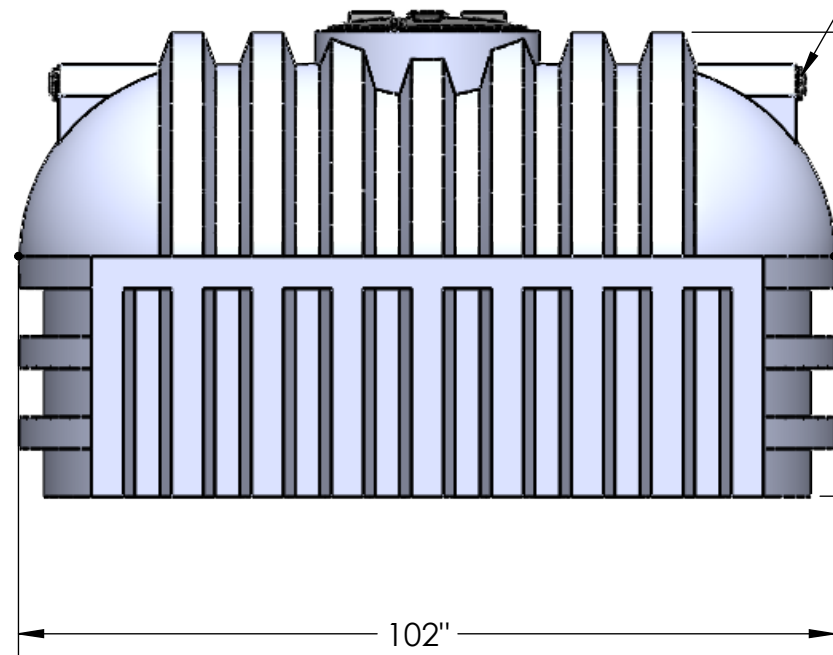


22" GASKETED LOCKING LID



NOTES:

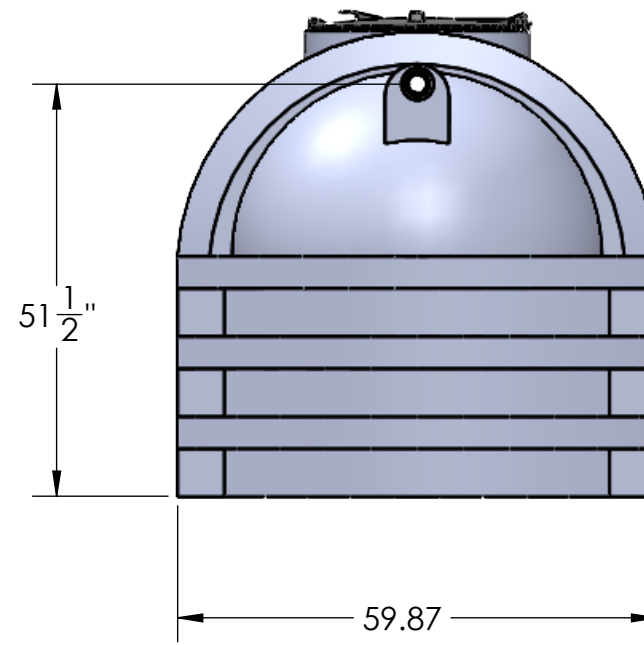
1. MATERIAL: HDPE
2. MOLDED WT. 385 LBS.
3. CAPACITY: APPROX. 1000 GALLONS
4. SEE INSTALLATION INSTRUCTIONS



2" POLYPRO INLET / OUTLET

58"

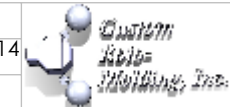
102"



51 1/2"

59.87"

PROPRIETARY AND CONFIDENTIAL
 THE INFORMATION CONTAINED IN THIS DRAWING IS THE SOLE PROPERTY OF <INSERT COMPANY NAME HERE>. ANY REPRODUCTION IN PART OR AS A WHOLE WITHOUT THE WRITTEN PERMISSION OF <INSERT COMPANY NAME HERE> IS PROHIBITED.

		UNLESS OTHERWISE SPECIFIED:		NAME	DATE		
		DIMENSIONS ARE IN INCHES		DRAWN	EBW		10-23-14
		TOLERANCES:		CHECKED			
		FRACTIONAL ±		ENG APPR.			
		ANGULAR: MACH ± BEND ±		MFG APPR.			
		TWO PLACE DECIMAL ±		Q.A.			
		THREE PLACE DECIMAL ±		COMMENTS:			
		INTERPRET GEOMETRIC TOLERANCING PER:		TITLE:			
		MATERIAL		1000 GALLON CISTERN TANK			
		FINISH		SIZE DWG. NO. REV			
NEXT ASSY	USED ON	APPLICATION		B 1000 CT			
		DO NOT SCALE DRAWING		SCALE: 1:32 WEIGHT: SHEET 1 OF 1			