

MINIMALOSITY

Installation Guide

Welcome to the world of modern lighting solutions! We are thrilled that you have selected our home lighting store, Minimalosity, to cater to your lighting needs. At Minimalosity, we strive to bring you the best lighting options that are durable, high-quality, and visually appealing.

We understand that the installation process can be challenging for some of our customers. Therefore, we have prepared a comprehensive installation guide that offers step-by-step instructions to help make your installation process as easy as possible. The guide covers everything you need to know, from the tools required to safety measures to take.

In case you encounter any issues during the installation process, our customer support team is always here to assist you. Our team is friendly and knowledgeable, and we are available to answer any questions or concerns you may have. Please feel free to contact us at help@minimalosity.com, and we will be happy to assist you in any way we can.

Before you begin the installation process, please ensure that you take the necessary safety precautions. Turn off the electrical power to the fixture at the electrical panel and utilize an appropriate voltage tester to ensure that there is no power present at the fixture. We strongly advise against relying solely on visual inspection to confirm that the power is off. This step is crucial to prevent any accidents and ensure a safe installation process. Keep in mind that hardwire installation does require an experienced electrician.

At Minimalosity, we are confident that our installation guide is easy to follow, and we have included all the information you need to make your installation process a success. However, if you encounter any issues, we are always here to help. Our primary goal is to provide you with an exceptional customer experience, and we are committed to ensuring that you are satisfied with your purchase.

Thank you for choosing Minimalosity. Tag us on Instagram @minimalosity to be featured!

Assembly Materials

PARTS INCLUDED

- I. Wire Connector
- II. Main LED Bar Base
- III. Screws (2)
- IV. Plastic Expansion Bolts (2)
- V. Allen Key
- VI. Plastic Hard Wire Connector
- VII. Dimmable Remote

TOOLS REQUIRED

- I. Power Drill



- II. Screw Driver



- III. Mallet



WARNING

Follow the instructions exactly

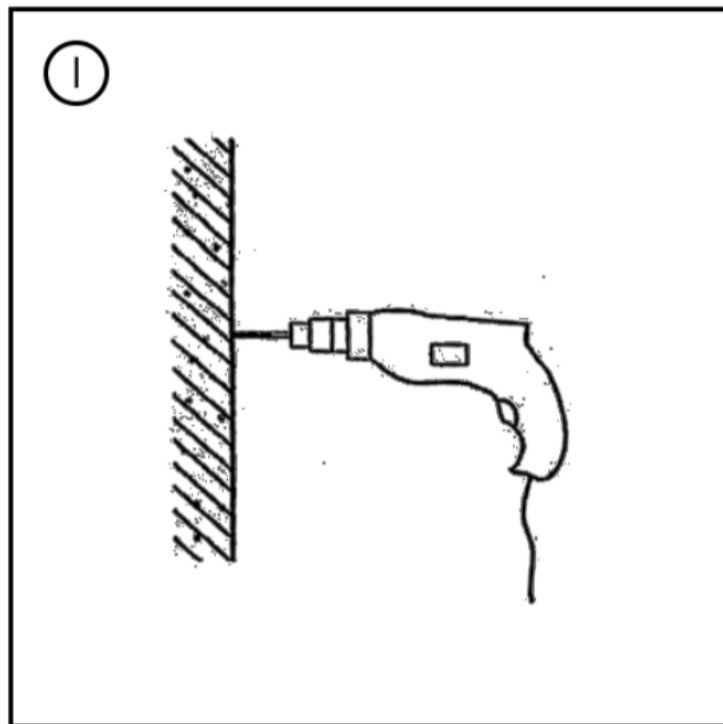
- Do not use the power supply beyond the specified range (AC85-265V,50-60Hz).
- Cut off the power before installation to prevent electric shock.
- Avoid scratching the lamp and wires during installation.

Installation Instructions

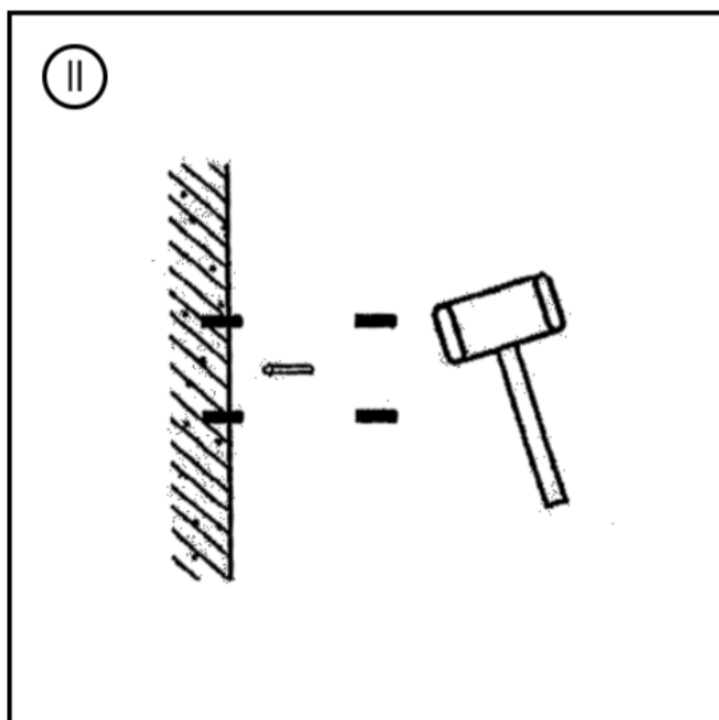


Be sure to cut off the power
IN CASE OF ELECTRIC SHOCK!

- I. REMOVE ALL ACCESSORIES FROM THE BOX. DRILL TWO HOLES IN THE WALL.

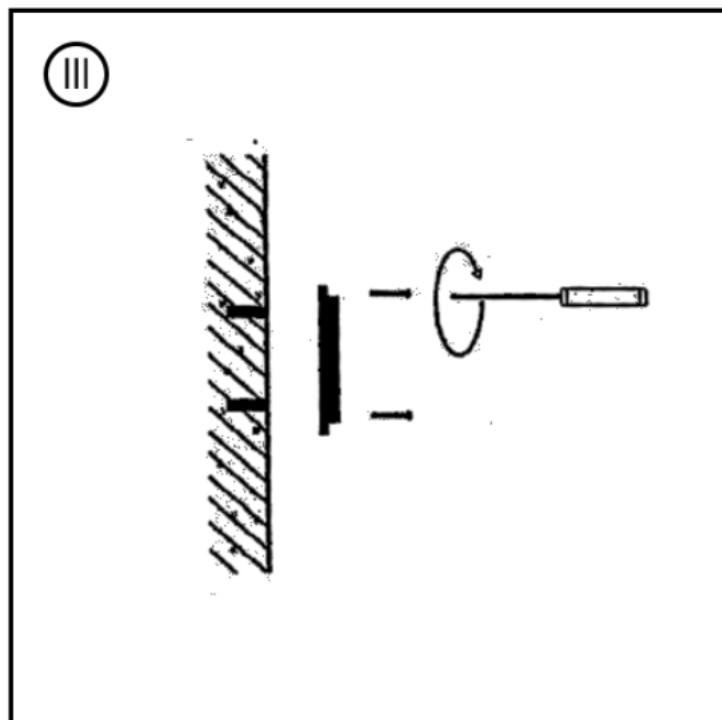


- II. PUT THE PLASTIC EXPANSION BOLTS INTO THE HOLES IN THE WALL.

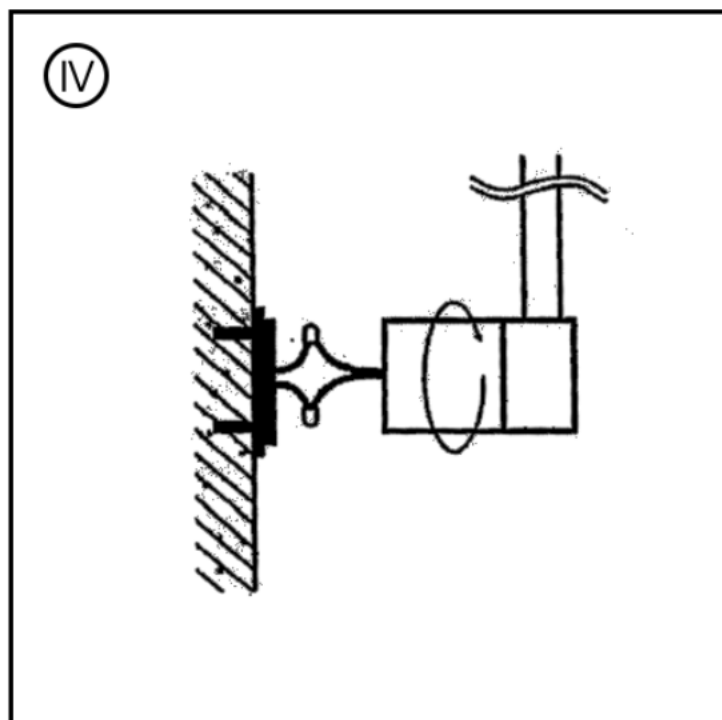


Installation Instructions

- III. INSTALL THE CIRCULAR HANGING PLATE AND PUT IN THE SCREWS TO FIX IT ON THE WALL.**

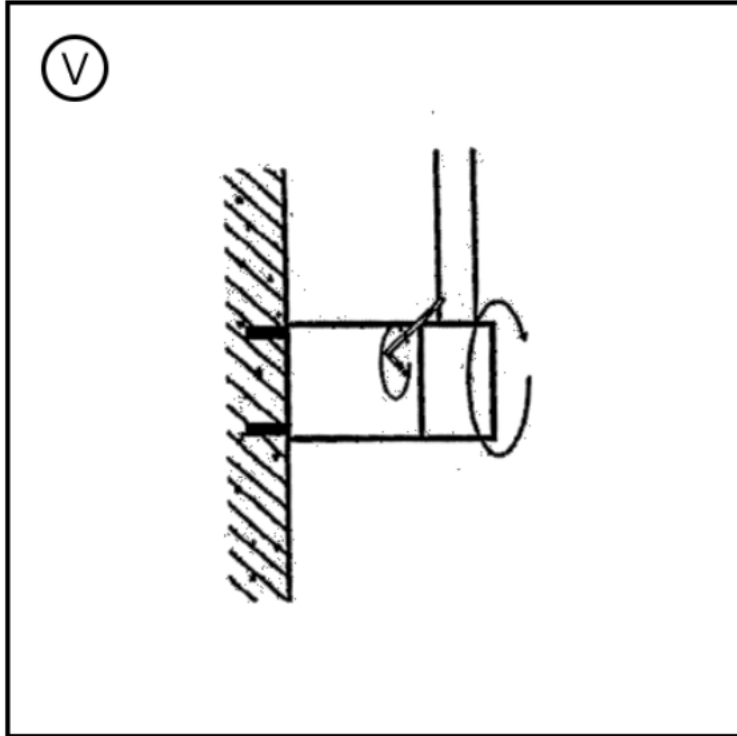


- IV. PLEASE CUT OFF THE POWER BEFORE CONNECTING THE WIRES, AND CONNECT THE LIVE AND NEUTRAL WIRES OF THE LAMP TO THE LIVE AND NEUTRAL WIRES RESPECTIVELY. TIGHTEN THE LAMP BODY.**



Installation Instructions

V. TIGHTEN THE SCREWS WITH THE PROVIDED ALLEN KEY TO FIX THE LAMP BODY.



VI. FIXTURE MOUNTED ON WALL.

