

MINIMALOSITY

Installation Guide

Welcome to the world of modern lighting solutions! We are thrilled that you have selected our home lighting store, Minimalosity, to cater to your lighting needs. At Minimalosity, we strive to bring you the best lighting options that are durable, high-quality, and visually appealing.

We understand that the installation process can be challenging for some of our customers. Therefore, we have prepared a comprehensive installation guide that offers step-by-step instructions to help make your installation process as easy as possible. The guide covers everything you need to know, from the tools required to safety measures to take.

In case you encounter any issues during the installation process, our customer support team is always here to assist you. Our team is friendly and knowledgeable, and we are available to answer any questions or concerns you may have. Please feel free to contact us at help@minimalosity.com, and we will be happy to assist you in any way we can.

Before you begin the installation process, please ensure that you take the necessary safety precautions. Turn off the electrical power to the fixture at the electrical panel and utilize an appropriate voltage tester to ensure that there is no power present at the fixture. We strongly advise against relying solely on visual inspection to confirm that the power is off. This step is crucial to prevent any accidents and ensure a safe installation process. Keep in mind that hardwire installation does require an experienced electrician.

At Minimalosity, we are confident that our installation guide is easy to follow, and we have included all the information you need to make your installation process a success. However, if you encounter any issues, we are always here to help. Our primary goal is to provide you with an exceptional customer experience, and we are committed to ensuring that you are satisfied with your purchase.

Thank you for choosing Minimalosity. Tag us on Instagram @minimalosity to be featured!

Assembly Materials

TOOLS REQUIRED

I. Power Drill



II. Screw Driver



III. Mallet



WARNING

Follow the instructions exactly

- Do not use the power supply beyond the specified range (AC85-265V, 50Hz).
- Do not install it directly above high-temperature objects such as heaters, open flames, and gas.
- Do not install in a steam room or wet environment such as ceiling with wet lime.
- Cut off the power before installation to prevent electric shock.
- Do not operate on the pendant light until it is completely cooled.
- Do not operate on the pendant light with wet hands.
- When an abnormal phenomenon occurs, please cut off the power quickly and contact the seller.
- Avoid scratching the lamp and wires during installation.
- To ensure your safety, please entrust a professional to check and repair.

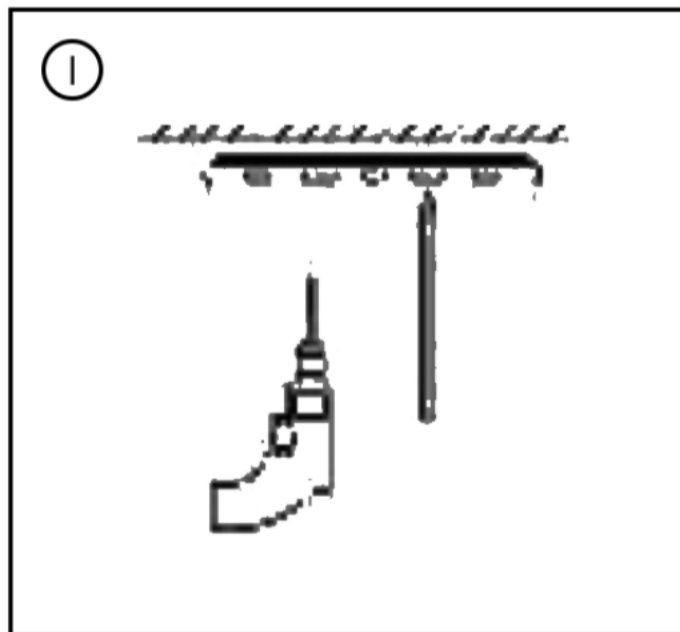
Installation Instructions



Be sure to cut off the power
IN CASE OF ELECTRIC SHOCK!

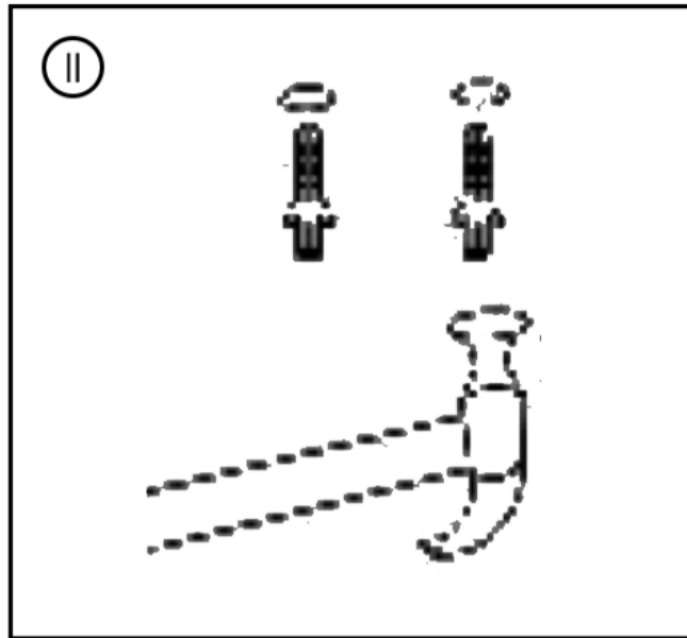
- Please wear gloves when installing, and remove stains and sweat stains on hardware in time. Lamps and lanterns with grounding symbols must be reliably and permanently grounded when installed.
- Fixed lamps and lanterns must be fixed firmly during installation to ensure that the installed medium can bear the weight of the lamp body. The lamp shall be pulled 3 times with a pulling force 5 times the weight of the lamp body to ensure that the lamp will not fall after installation.

- I. TAKE THE HANGING BOARD AS A REFERENCE AND DRAW THE POSITION ON THE CEILING. IT IS SUGGESTED TO DRAW THE POSITION WITH A PEN AND THEN MAKE HOLES.**

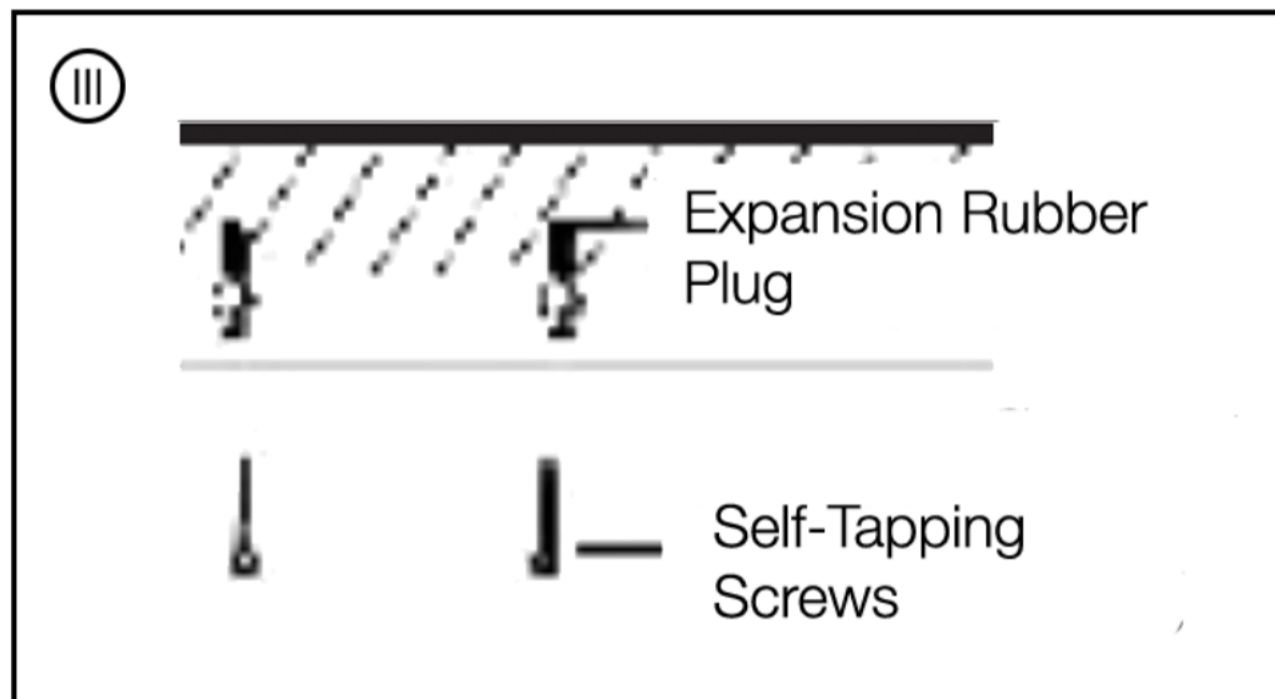


Installation Instructions

II. KNOCK THE EXPANDED RUBBER PLUG INTO THE HOLE IN THE WALL.

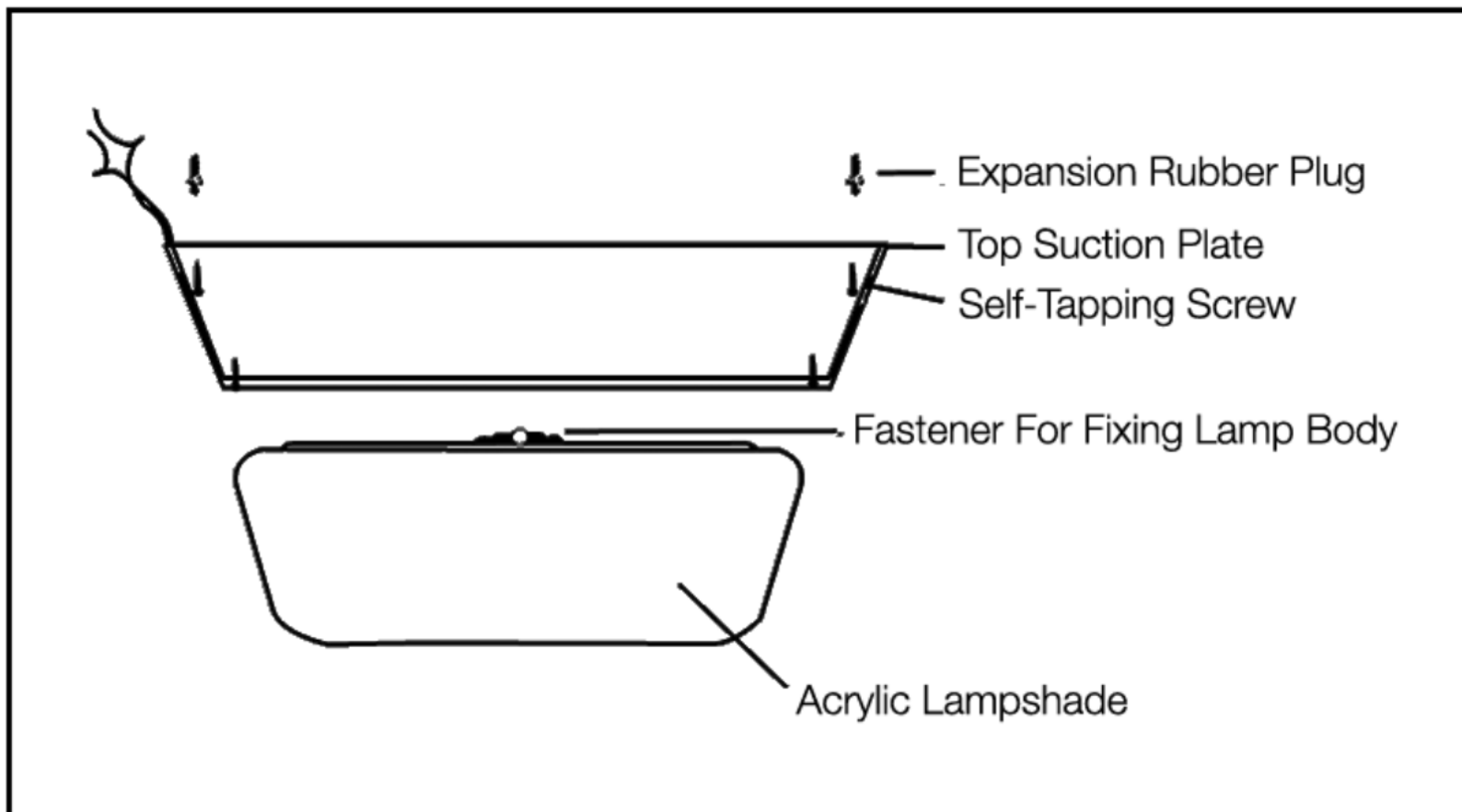
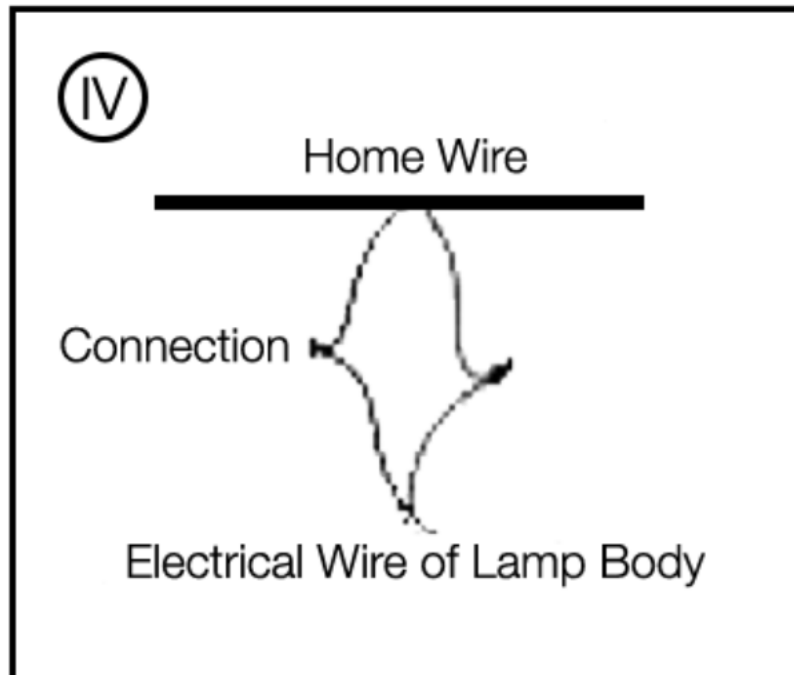


III. ALIGN THE EXPANSION RUBBER PLUG WITH THE SELF-TAPPING SCREW, TWIST IT IN CLOCKWISE, FIX THE HANGING PLATE, AND ALIGN THE NUT WITH THE SCREW TO FIX THE WALL PLATE.



Installation Instructions

- IV. HANG THE MAIN BODY AS SHOWN IN THE FIGURE, AND THE MAIN LINE OF THE LAMP BODY IS CONNECTED WITH THE ZERO LINE FIRE LINE AT HOME.**



Cleaning Instructions

- Please clean and inspect the light once every 6 months.
- The power supply must be disconnected before cleaning, and the related operations must be carried out after the lamps are completely cooled!
- Wipe it gently with a soft dry cotton cloth instead of a wet cloth or other volatile liquids when cleaning the lamp body.
- Please use a clean feather duster to gently brush the surface of the lampshade when cleaning the PVC lampshade, so as not to stain the lampshade or cause deformation.