

Rocker Switch R5 Series



SPECIFICATION



Electrical Rating : 20A 125VAC/16A 250VAC(UL)
 10A/15A/16A 250VAC(VDE)
 10A 250VAC/15A 125VAC(UL)

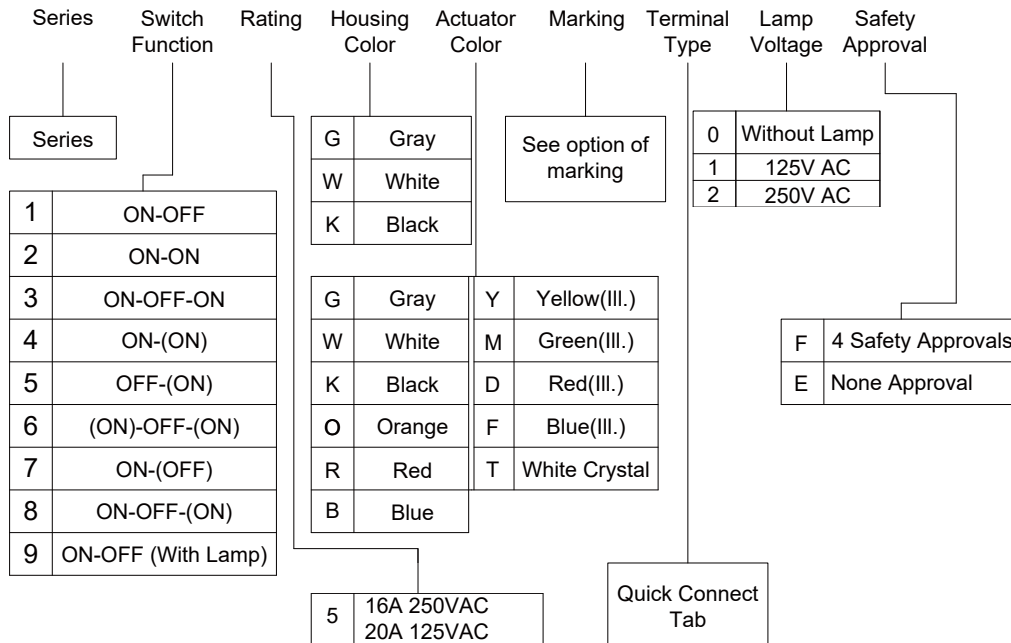
Mechanical life: Over 30000 cycles
 Electrical life: Over 10000 cycles
 Contact resistance: <20mΩ
 Insulation resistance: >1000MΩ
 High voltage resistance: >1500V 1 min.
 Ambient temperature: Terminal side -20 to +85°C
 Actuating side -20 to +55°C
 Storage temperature: -30 to +80°C Max
 Atmospheric humidity: Max.85%
 Actuating force: 4~8N(depends on different switch function)
 Flammability: UL94 V-2
 Temperature rise at the terminal: Max 30°C (UL1054)
 Solder ability of terminal: Max 350°C, 3s

MATERIALS

Housing: Nylon 66
 Rocker: PC & PA66
 Contacts: Silver Alloy
 Terminal: Brass Silver Plated
 Lamp: Neon Lamp, Tungsten Lamp
 Spring: SWP, SUS
 Movable Arm: Brass Silver Plated

HOW TO ORDER

R5 1 5 K K E T O F A



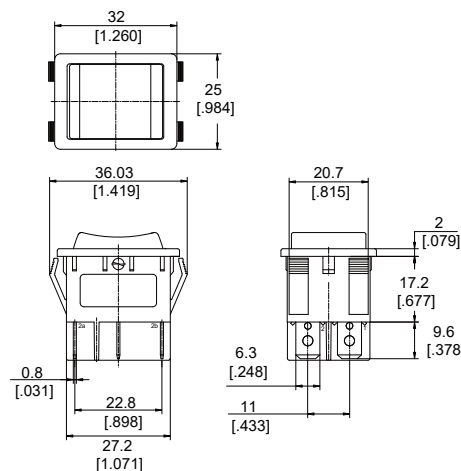
Rocker Switch R5 Series



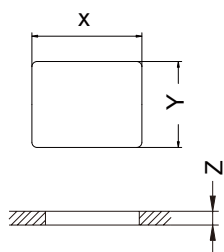
Option of switch function

Item NO	POLES & THROWS	Rocker position ():Momentary		
		Left	Center	Right
R51	DPST	ON	None	OFF
R52	DPDT	ON	None	ON
R53	DPDT	ON	OFF	ON
R54	DPDT	ON	None	(ON)
R55	DPST	OFF	None	(ON)
R56	DPDT	(ON)	OFF	(ON)
R57	DPST	ON	None	(OFF)
R58	DPDT	ON	OFF	(ON)
R59	DPST (WITHLAMP)	ON	None	OFF

Dimension



Panel cut out



Z	Y	X
0.70~1.25	22.20~22.30	30.0~30.20
1.25~2.00	22.20~22.30	30.2~30.40
2.00~3.00	22.20~22.30	30.6~30.80

Circuits for switch with lamp

For circuits of 250V AC or 125V AC

