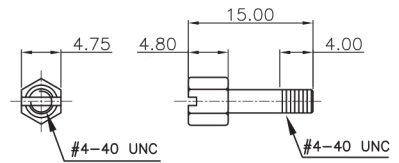
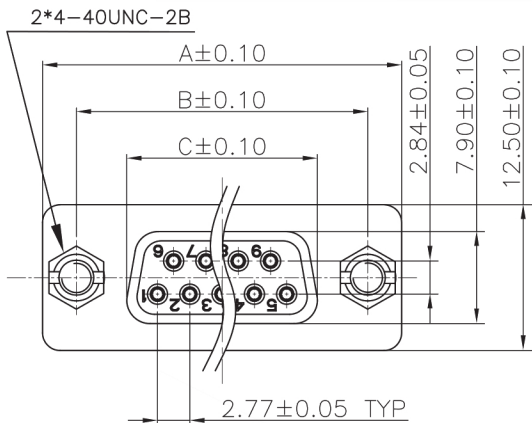
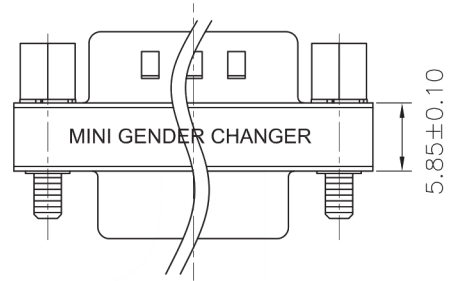
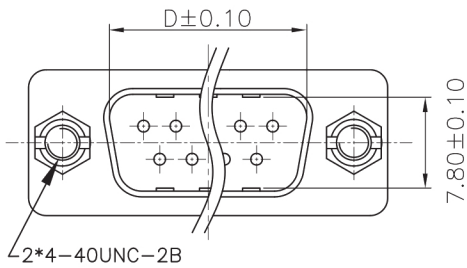
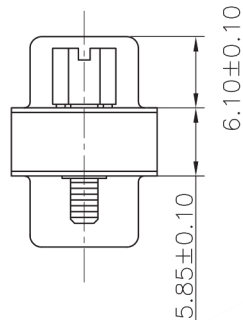


Specifications

Current Rating:	2A
Housing Material:	30% Glass Filled PBT UL94V-0
Contact Material:	Phosphor Bronze
Shell Material:	100u" Tin Over 50u" Min Nickel
Contact Resistance:	20mΩ Max
Insulation Resistance:	5000MΩ Min
Operating Temperature:	-55°C to +105°C



Screw specification



PIN NO.	DIM A	DIM B	DIM C
9P	30.80	24.99	16.35
15P	39.20	33.30	24.70
25P	53.05	47.04	38.40
37P	69.32	63.50	54.80