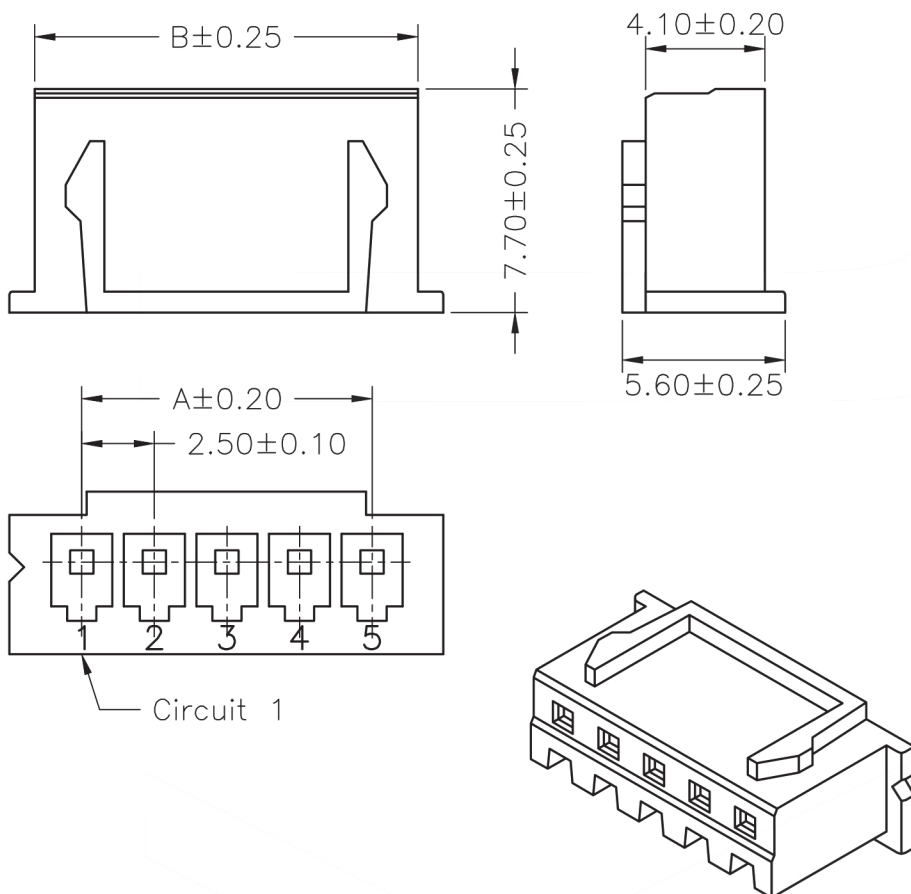


Specifications

Rating:	3A 250V
Housing Material:	PA66 UL94V-2
Contact Resistance:	20mΩ Max
Insulation Resistance:	1000MΩ Min
Dielectric Strength:	1000VAC 1 Min
Wire Range:	22-30AWG
Operating Temperature:	-25°C to +85°C



PART NO.	Dimensions	
	A	B
02	2.50	5.70
03	5.00	8.20
04	7.50	10.70
05	10.00	13.20
06	12.50	15.70
07	15.00	18.20
08	17.50	20.70
09	20.00	23.20
10	22.50	25.70
11	25.00	28.20
12	27.50	30.70
13	30.00	33.20
14	32.50	35.70
15	35.00	38.20
16	37.50	40.70
17	40.00	43.20
18	42.50	45.70
19	45.00	48.20
20	47.50	50.70