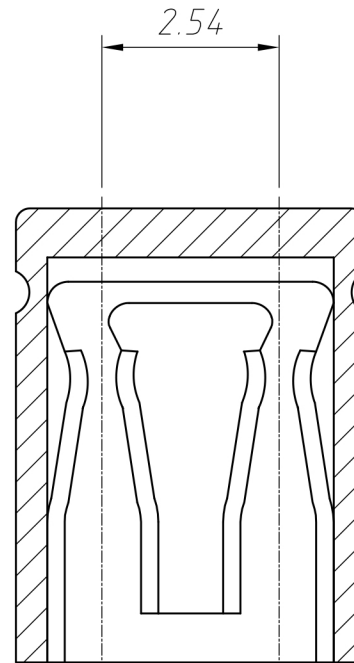
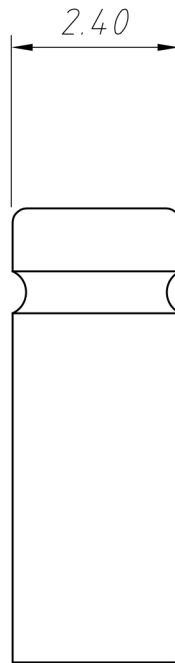
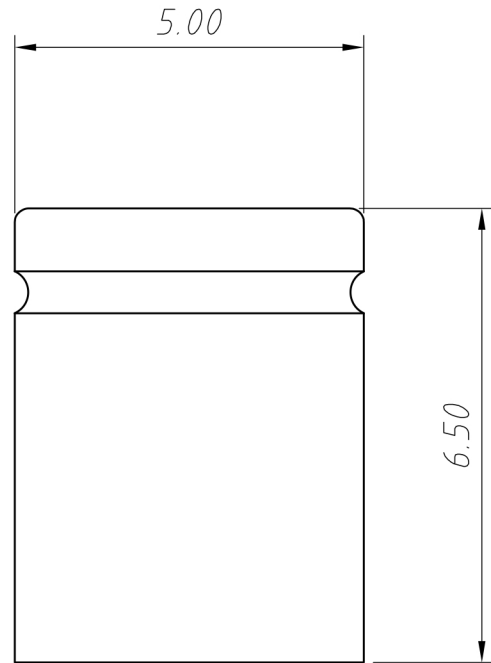
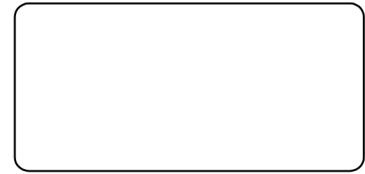


RoHS Compliance



*Material:*  
*Standard:*PBT  
*Contact:*Brass  
*Insulator:*Polyester,UL94 V-0

*Electrical Characteristics:*  
*Rated Current:* 3.0AMP  
*Contact Resistance:* 20mΩ Max  
*Withstand Voltage:* 1000V AC/DC  
*Insulator Resistance:* 5000MΩ Min

*Mechanical*  
*Operating Temperature:* -55°C ~ +105°C

ANGLE TOLERANCE	PROJECTION	Description:	
±3°			
GENERAL TOLERANCE	UNITS	mm	
x.x ±0.30	SHEET SIZE	A4	
x.xx ±0.20	Draw:	Daniel	2018-07-10
x.xxx ±0.10	Check:	Daniel	2018-07-10

