

CLIFF

Dual Terminal Binding Post Assemblies



TPP-3CT



TPP-4



TPP-5CT



TPP-5CT/PC

The **CLIFF**[®] range of dual Terminal Binding Post assemblies is designed for use in varied applications including professional and consumer audio, test and measurement, power supplies and industrial uses. Terminal spindles and mounting hardware are manufactured from high quality solid brass, either nickel or gold plated. Plastic parts are moulded from tough glass reinforced Nylon or Polypropylene. TPP-4 and TPP-5 assemblies are fully insulated and 'touch proof' to reduce the risk of accidental electric shock in higher current applications and also comply with European safety regulations.

Significant features include:

- All models have the **CLIFF**[®] Castellated Knob.[™]
- Conform to the general requirements of UL 813 and EN 60065.
- TPP-4 and TPP-5 assemblies are 'touch proof' to reduce the risk of accidental electric shock in higher current applications.
- Printed circuit board mounting versions available.

Cliff Electronic Components, Ltd.

76 Holmethorpe Avenue, Holmethorpe Ind. Est.

Redhill, Surrey RH1 2PF. England

Tel: +44 (0) 1737 771375

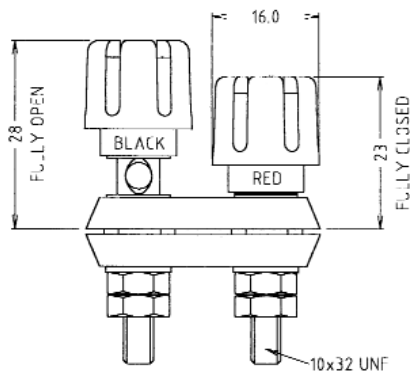
Fax: +44 (0) 1737 766012

Email: sales@cliffuk.co.uk

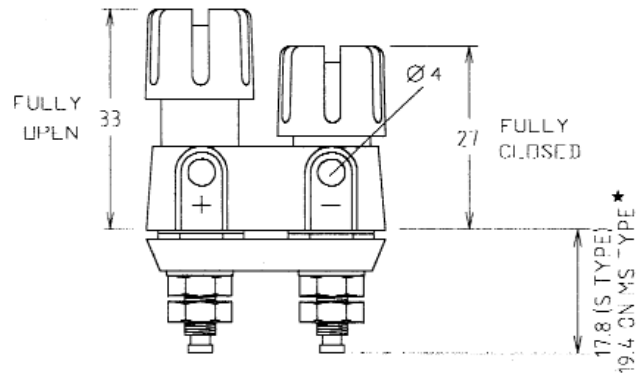


Visit us online at:

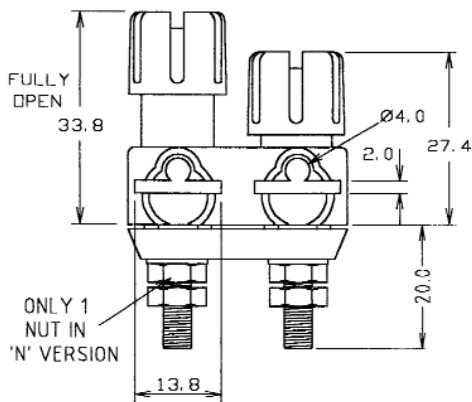
www.cliffuk.co.uk



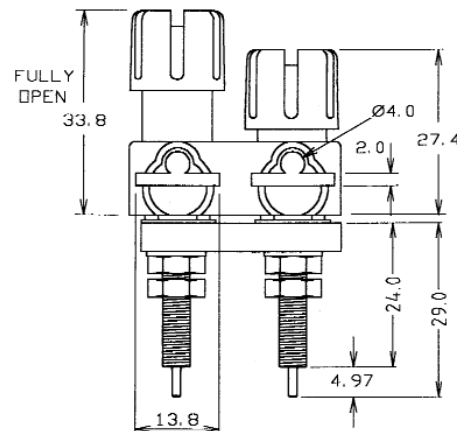
TPP-3CT



TPP-4



TPP-5CT



TPP-5CT/PC

Dims mm

Specification:

Maximum Current: 30A

Contact Resistance: Nickel <30mΩ, Gold <20mΩ

Temperature Rating: -20°C to +80°C

Flammability: Minimum UL 94HB

Technical Data:

All assemblies are supplied with terminals pre-assembled into the top mounting plate and with two plain washers, two spring washers (except TPP-4) and four nuts. TPP-3 and TPP-5 have a 10 x 32 UNF thread and TPP-4 has 2BA thread. All models can be supplied with either a nickel or gold plated finish and different stud lengths are available on certain models. Clear plastic knobs/fittings can be supplied on custom versions. Contact our sales office for more details. Red and black 'blanking' plugs are available for inserting into the 4mm end-holes to comply with European safety regulations.