


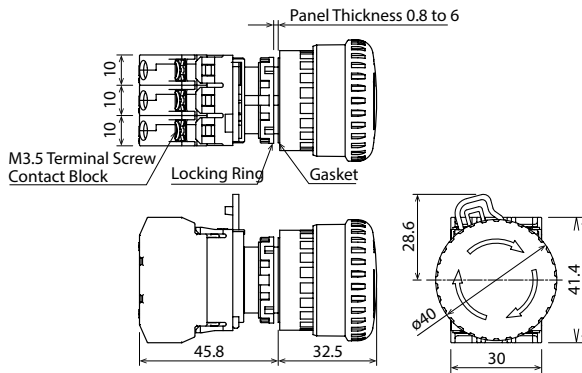
## Non-illuminated Emergency Stop Switches (Pushlock Pull/Turn Reset)

Package Quantity: 1

Style	Contact	Contact Block Mounting Position			Part No.	Button Color Code
		1	2	3		
 ø40mm Mushroom	1NC	—	—	NC	YW1B-V4E01R	Red only
	2NC	NC	—	NC	YW1B-V4E02R	
	3NC	NC	NC	NC	YW1B-V4E03R	
	1NO-1NC	NO	—	NC	YW1B-V4E11R	
	1NO-2NC	NO	NC	NC	YW1B-V4E12R	
	2NO-1NC	NO	NC	NO	YW1B-V4E21R	

- When pressed the button is locked in the depressed position, and is reset when either pulled or turned clockwise.

### Dimensions



Contact Block Mounting Position



## Illuminated Emergency Stop Switches (Pushlock Pull/Turn Reset)

Package Quantity: 1

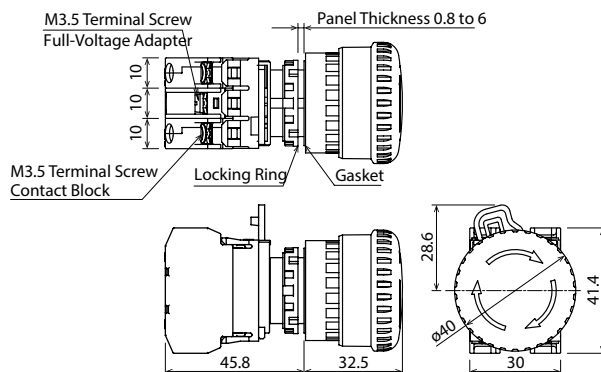
Style	Lamp	Contacts	Contact Block Mounting Position			Part No.	Operating Voltage Code	Lens Color Code
			1	2	3			
 ø40mm Mushroom	Without Lamp	1NC	—	FA	NC	YW1L-V4E01Q0R	0: without lamp 250V AC/DC max.	Red only
		2NC	NC	FA	NC	YW1L-V4E02Q0R		
		1NO-1NC	NO	FA	NC	YW1L-V4E11Q0R		
	LED	1NC	—	FA	NC	YW1L-V4E01Q R	2: 6V AC/DC 3: 12V AC/DC 4: 24V AC/DC H: 110V AC/DC M3: 230/240V AC/DC	
		2NC	NC	FA	NC	YW1L-V4E02Q R		
		1NO-1NC	NO	FA	NC	YW1L-V4E11Q R		
	Incandescent	1NC	—	FA	NC	YW1L-V4E01Q R	5: 6V AC/DC 6: 12V AC/DC 7: 24V AC/DC	
		2NC	NC	FA	NC	YW1L-V4E02Q R		
		1NO-1NC	NO	FA	NC	YW1L-V4E11Q R		

- Specify an operating voltage code in place of in the Part No.

FA: Full voltage adapter

- When pressed the button is locked in the depressed position, and is reset when either pulled or turned clockwise.

### Dimensions



Contact Block Mounting Position

