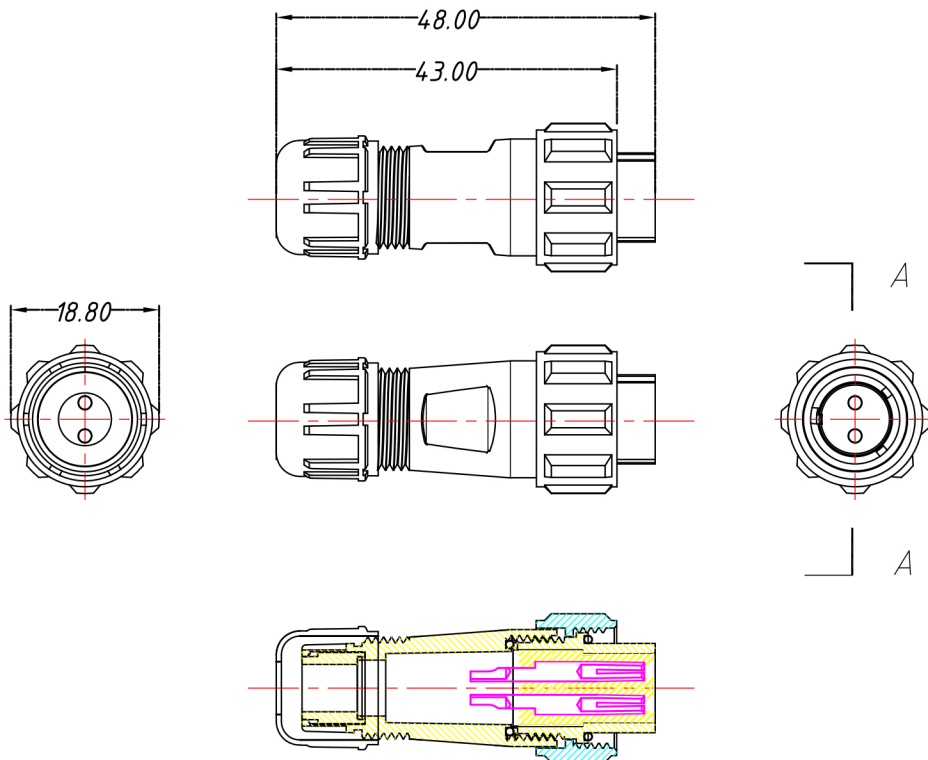


RoHS Compliance



SECTION A-A

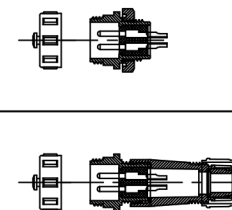
**Material & SPEC.**

- 1.Shell Material: PPO,PA66 UL94V-0
- 2.Insulation Materials: PPS, High Temperature 260°C
- 3.Contact: Brass,Gold-plated
- 4.Insulation resistance: 2000MΩ
- 5.Number of poles: 2~9 poles
- 6.Coupling: Threaded
- 7.Termination: Solder
- 8.Cable outer Diameter: Not- 4~6.5mm; G- 5~8mm
- 9.IP Rating: IP68
- 10.Durability: 500 mating cycles
- 11.Temperature Range: -25°C~+80°C

**Solder contact arrangement and spec**

Number of contact	2	3	4	5	6	7	9
Male contact face view							
Rated current (A)	13A	13A	5A	5A	5A	5A	3A
Contact diameter	φ1.6×2	φ1.6×3	φ1.0×4	φ1.0×5	φ1.0×6	φ1.0×7	φ0.7×9
Rated voltage(AC.V)	250V	250V	200V	180V	125V	125V	125V
Test voltage(AC.V) 1 min	1500V	1500V	1500V	1000V	1000V	1000V	1000V
Contact resistance mΩ	2	2	5	5	5	5	10
Wire size solder mm <sup>2</sup> /AWG	≤2/14	≤2/14	≤0.785/18	≤0.785/18	≤0.785/18	≤0.785/18	≤0.785/18

**Match Connector**



GENERAL TOLERANCE		PROJECTION	Description:
.X	±0.05	UNITS	mm
.XX	±0.02	SHEET SIZE	A4
Draw: Daniel 2018-08-27			
Check: Daniel 2018-08-27			
SCALE 1:1 SHEET			

IP68 W13 CONN,  
Female Plug for cable, Solder