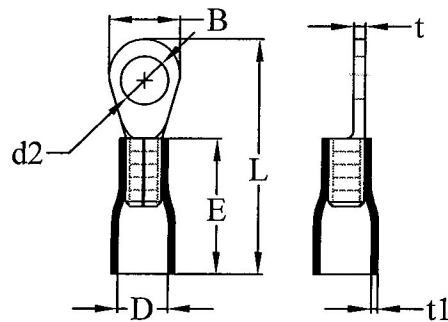


## Specifications

Contact Material: Tin Plated Copper

Insulation Material: PVC



Part No.	Dimensions (mm)							Wire Range
	d2	B	L	D	E	t	t1	
994470	3.20	5.50	17.00	4.30	10.00	0.75	0.80	22-16AWG
994471	3.70	5.50	17.00	4.30	10.00	0.75	0.80	22-16AWG
994472	4.30	6.60	20.00	4.30	10.00	0.75	0.80	22-16AWG
994473	5.30	8.00	21.20	4.30	10.00	0.75	0.80	22-16AWG
994474	6.40	11.60	27.10	4.30	10.00	0.75	0.80	22-16AWG
994475	8.40	11.60	27.10	4.30	10.00	0.75	0.80	22-16AWG
994476	10.50	13.70	31.00	4.30	10.00	0.75	0.80	22-16AWG
994477	13.00	19.00	34.50	4.30	10.00	0.75	0.80	22-16AWG
994502	3.20	8.50	22.50	4.70	10.70	0.80	0.80	16-14AWG
994503	3.70	6.60	20.10	4.70	10.70	0.80	0.80	16-14AWG
994504	4.30	8.50	22.50	4.70	10.70	0.80	0.80	16-14AWG
994505	5.30	9.50	22.50	4.70	10.70	0.80	0.80	16-14AWG
994506	6.40	12.00	27.60	4.70	10.70	0.80	0.80	16-14AWG
994507	8.40	12.00	27.60	4.70	10.70	0.80	0.80	16-14AWG
994508	10.50	13.70	31.40	4.70	10.70	0.80	0.80	16-14AWG
994509	13.00	19.00	35.00	4.70	10.70	0.80	0.80	16-14AWG
994531	3.70	9.50	26.20	6.70	13.60	1.00	0.80	12-10AWG
994532	4.30	9.50	26.20	6.70	13.60	1.00	0.80	12-10AWG
994533	5.30	9.50	26.20	6.70	13.60	1.00	0.80	12-10AWG
994534	6.40	12.00	32.20	6.70	13.60	1.00	0.80	12-10AWG
994535	8.40	15.00	34.40	6.70	13.60	1.00	0.80	12-10AWG
994536	10.50	15.00	34.40	6.70	13.60	1.00	0.80	12-10AWG
994537	13.00	19.20	39.10	6.70	13.60	1.00	0.80	12-10AWG