



TOYO LED ELECTRONICS LIMITED

Room 1610, Hong Kong Plaza, 188 Connaught Road West, Hong Kong.

Tel : (852) 2540 7288
http://www.toyo-led.com

Fax : (852) 2517 1797
E-mail : sales@toyo-led.com



P/N: TY-HP3WW

High Power LEDs Series

SPECIFICATION FOR CUSTOMER APPROVAL

P/N: TY-HP3WW

DATE : June 5, 2014

PREPARED BY : Yanguoliang

CONFIRMED BY :

PLEASE CONFIRM & SIGN BACK THIS SHEET TO US

CUSTOMER:

(COMPANY CHOP)

APPROVAL BY:

(SIGNATURE)



TOYO LED ELECTRONICS LIMITED

Room 1610, Hong Kong Plaza, 188 Connaught Road West, Hong Kong.

Tel : (852) 2540 7288
http://www.toyo-led.com

Fax : (852) 2517 1797
E-mail : sales@toyo-led.com



P/N: TY-HP3WW

High Power LEDs Series

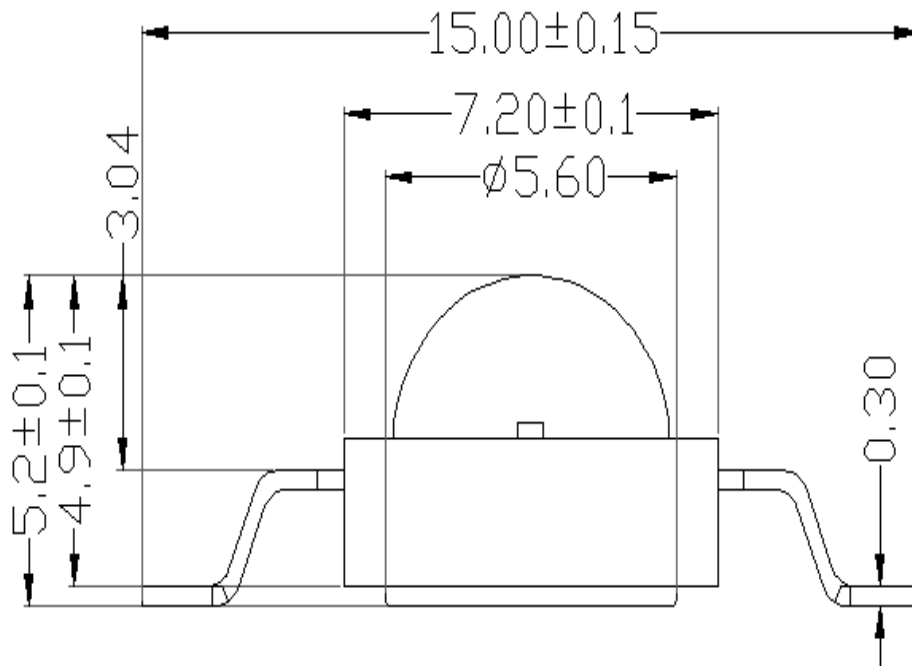
✧ Features:

- 3 W High Power LED
- Emitted color: Pure White
- Silica package
- Long operating life

✧ Application

- General lighting
- Architectural Lighting
- Decoration lighting
- Advertisement

✧ Package Dimensions



NOTES:

1. All dimensions are in millimeter[unit];
2. Tolerance is ±0.1mm especially other specified;
3. Specifications are subject to change without notice.



TOYO LED ELECTRONICS LIMITED

Room 1610, Hong Kong Plaza, 188 Connaught Road West, Hong Kong.

Tel : (852) 2540 7288
http://www.toyo-led.com

Fax : (852) 2517 1797
E-mail : sales@toyo-led.com



P/N: TY-HP3WW

High Power LEDs Series

Part No.	Emitted Color	Lens Color
TY-HP3WW	Warm white	Water Clear

✧ Absolute Maximum Ratings(Ta=25°C)

Item	Symbol	Maximum	Unit
Power Dissipation	PD	3.6	W
Continuous Forward Current	I _{Fmax}	700	mA
Peak Forward Current(1/10 Duty Cycle 0.1ms Pulse Width)	I _{FP}	700	mA
Reverse Voltage	V _R	5	V
Operating Temperature Range	T _{opr}	-20 to+60	°C
Storage Temperature Range	T _{stg}	-40 to+100	°C
Lead Solder Temperature	T _{sol}	130-150 °C NONE WAVE SOLDERING	

✧ Electrical/Optical Characteristics(Ta=25°C)

Item	Symbol	Condition	Min.	Typ.	Max.	Unit
Forward Voltage	V _F	I _F =700mA	3.6	3.7	3.8	V
Luminous Flux	Φ	I _F =700mA	190	200	230	lm
Color Temperature	CCT	I _F =700mA	4000	---	4300	K
Viewing Angle	2θ 1/2	I _F =700mA	---	120	---	Deg
Color Rendering Index	CRI	I _F =700mA	70	---	---	Ra
Reverse Current	I _R	V _R =5V	---	--	10	uA



TOYO LED ELECTRONICS LIMITED

Room 1610, Hong Kong Plaza, 188 Connaught Road West, Hong Kong.

Tel : (852) 2540 7288
http://www.toyo-led.com

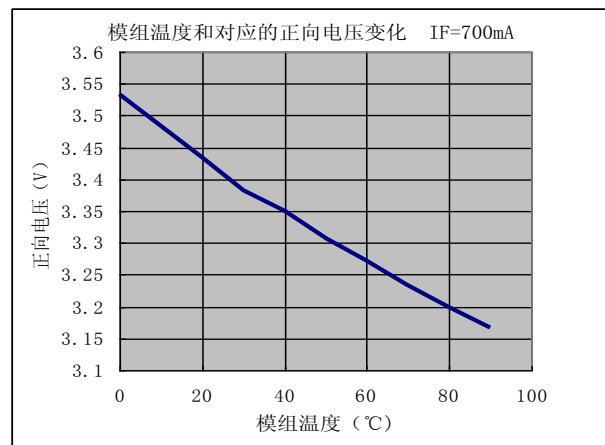
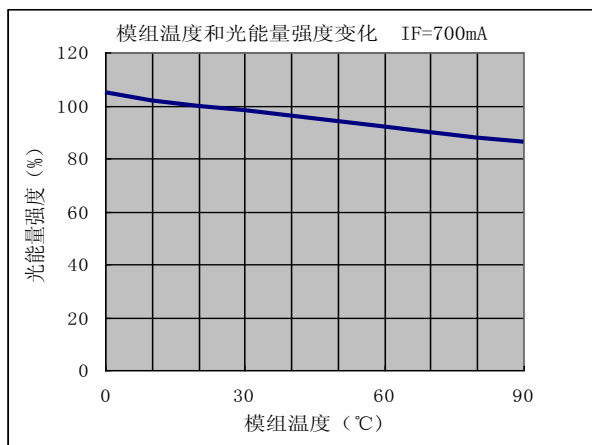
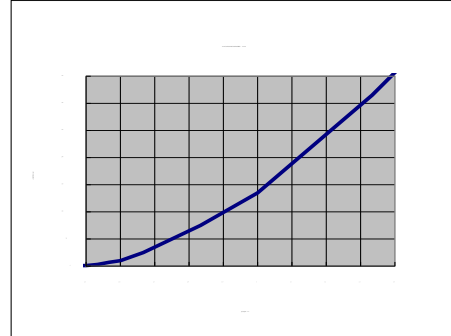
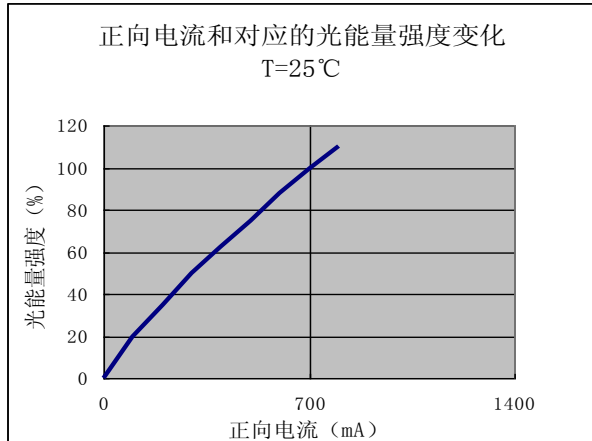
Fax : (852) 2517 1797
E-mail : sales@toyo-led.com



P/N: TY-HP3WW

High Power LEDs Series

◇ Typical Electro-Optical Characteristic Curve





TOYO LED ELECTRONICS LIMITED

Room 1610, Hong Kong Plaza, 188 Connaught Road West, Hong Kong.

Tel : (852) 2540 7288
http://www.toyo-led.com

Fax : (852) 2517 1797
E-mail : sales@toyo-led.com

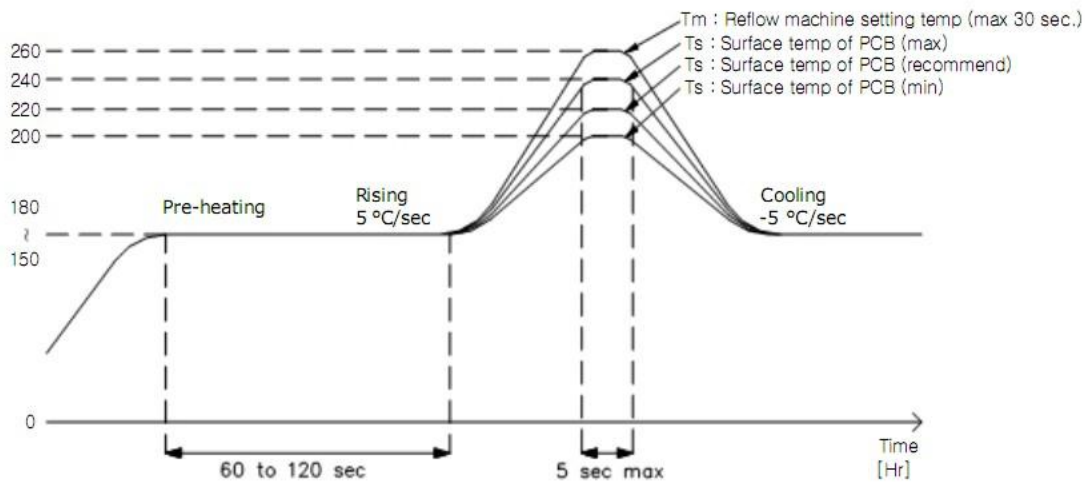


P/N: TY-HP3WW

High Power LEDs Series

❖ Soldering Conditions

1. Reflow Soldering Conditions / Profile



2. Hand Soldering conditions

Lead : Not more than 3 seconds @MAX280 °C
Slug : Use a thermal-adhesives



TOYO LED ELECTRONICS LIMITED

Room 1610, Hong Kong Plaza, 188 Connaught Road West, Hong Kong.

Tel : (852) 2540 7288
http://www.toyo-led.com

Fax : (852) 2517 1797
E-mail : sales@toyo-led.com



P/N: TY-HP3WW

High Power LEDs Series

◇ Packing

■ Tray Packing



Package for the uv leds without heat sink

Height: 1.5cm

Length: 15cm

Width: 14cm

50pcs/tray

■ Reel Packing (≥5000PCS)

