



# TOYO LED ELECTRONICS LIMITED

Room 1610, Hong Kong Plaza, 188 Connaught Road West, Hong Kong.  
Tel : (852) 2540 7288 Fax : (852) 2517 1797  
http://www.toyo-led.com E-mail : sales@toyo-led.com



**P/N: TY-HP1WW-S**

High Power LEDs Series

# SPECIFICATION FOR CUSTOMER APPROVAL

**P/N: TY-HP1WW-S**

DATE : March 18, 2013

PREPARED BY : HERMES

CONFIRMED BY :

**PLEASE CONFIRM & SIGN BACK THIS SHEET TO US**

**CUSTOMER:** \_\_\_\_\_

(COMPANY CHOP)

**APPROVAL BY:** \_\_\_\_\_

(SIGNATURE)



# TOYO LED ELECTRONICS LIMITED

Room 1610, Hong Kong Plaza, 188 Connaught Road West, Hong Kong.  
Tel : (852) 2540 7288 Fax : (852) 2517 1797  
http://www.toyo-led.com E-mail : sales@toyo-led.com



**P/N: TY-HP1WW-S**

High Power LEDs Series

## ✧ Features:

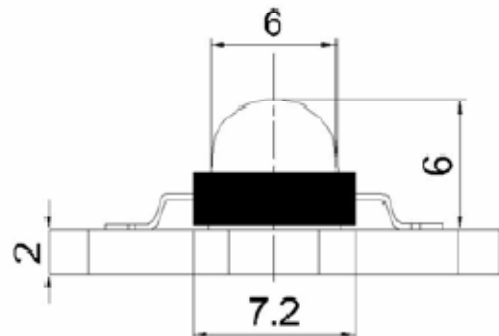
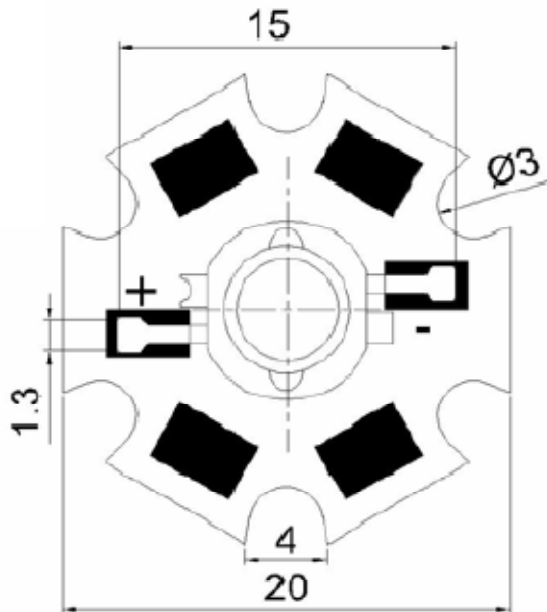
- 1 W High Power LED
- Emitted color: Warm White
- Silica package
- Long operating life



## ✧ Application

- General lighting
- Architectural Lighting
- Decoration lighting
- Advertisement

## ✧ Package Dimensions



## NOTES:

1. All dimensions are in millimeter[unit];
2. Tolerance is  $\pm 0.1$ mm especially other specified;
3. Specifications are subject to change without notice.



# TOYO LED ELECTRONICS LIMITED

Room 1610, Hong Kong Plaza, 188 Connaught Road West, Hong Kong.  
 Tel : (852) 2540 7288 Fax : (852) 2517 1797  
 http://www.toyo-led.com E-mail : sales@toyo-led.com



## P/N: TY-HP1WW-S

High Power LEDs Series

| Part No.   | Emitted Color | Lens Color      |
|------------|---------------|-----------------|
| TY-HP1WW-S | Warm White    | Yellow Diffused |

### ✧ Absolute Maximum Ratings(Ta=25°C)

| Item                                                    | Symbol            | Maximum                          | Unit |
|---------------------------------------------------------|-------------------|----------------------------------|------|
| Power Dissipation                                       | PD                | 1                                | W    |
| Continuous Forward Current                              | I <sub>Fmax</sub> | 350                              | mA   |
| Peak Forward Current(1/10 Duty Cycle 0.1ms Pulse Width) | I <sub>FP</sub>   | 1000                             | mA   |
| Reverse Voltage                                         | V <sub>R</sub>    | 5                                | V    |
| Operating Temperature Range                             | T <sub>opr</sub>  | -30 to+110                       | 25°C |
| Storage Temperature Range                               | T <sub>stg</sub>  | -40 to+120                       | 25°C |
| Lead Solder Temperature                                 | T <sub>sol</sub>  | 130-150°C<br>NONE WAVE SOLDERING |      |

### ✧ Electrical/Optical Characteristics(Ta=25°C)

| Item              | Symbol         | Condition             | Min. | Typ. | Max. | Unit |
|-------------------|----------------|-----------------------|------|------|------|------|
| Forward Voltage   | V <sub>F</sub> | I <sub>F</sub> =350mA | 3.0  | 3.4  | 3.6  | V    |
| Luminous Flux     | Φ              | I <sub>F</sub> =350mA | 100  | --   | 110  | lm   |
| Color Temperature | CCT            | I <sub>F</sub> =350mA | 3000 | ---  | 3300 | K    |
| Viewing Angle     | 2θ 1/2         | I <sub>F</sub> =350mA | ---  | 120  | ---  | Deg  |



# TOYO LED ELECTRONICS LIMITED

Room 1610, Hong Kong Plaza, 188 Connaught Road West, Hong Kong.  
Tel : (852) 2540 7288 Fax : (852) 2517 1797  
http://www.toyo-led.com E-mail : sales@toyo-led.com

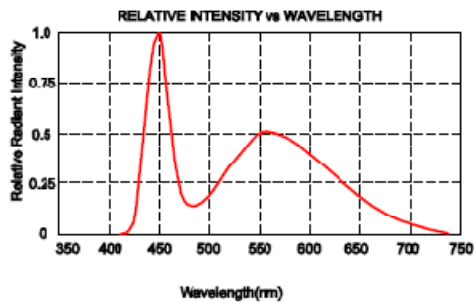


P/N: TY-HP1WW-S

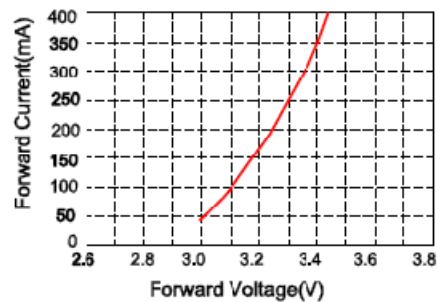
High Power LEDs Series

## ◇ Typical Electro-Optical Characteristic Curve

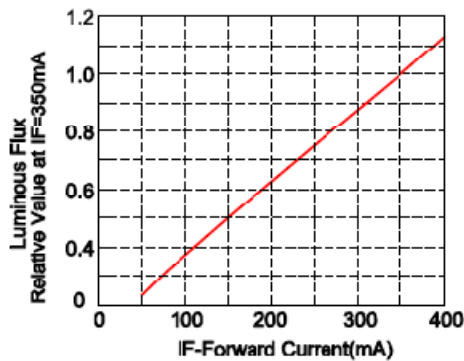
■ Spectrum Distribution  
(光谱分析图)



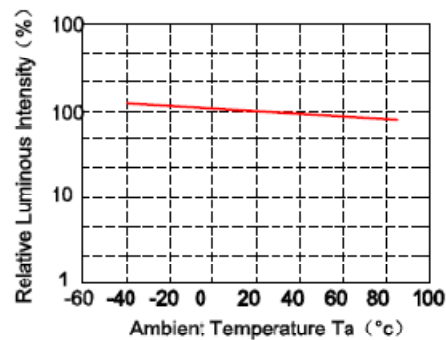
■ Foward current-Forward Voltage  
(正向电流-电压曲线图)



■ Foward current VS  
Ambient Temperature TA  
(正向电流-温度曲线图)



■ Relative Luminous Intensity VS  
Ambient Temperature  
(温度-光通量曲线图)



■ Radiation Diagram  
(角度图)

