



# TOYO LED ELECTRONICS LIMITED

Room 1610, Hong Kong Plaza, 188 Connaught Road West, Hong Kong.  
Tel : (852) 2540 7288 Fax : (852) 2517 1797  
http://www.toyo-led.com E-mail : sales@toyo-led.com



**P/N: TY-HP1WW**

High Power LEDs Series

# SPECIFICATION FOR CUSTOMER APPROVAL

**P/N: TY-HP1WW**

DATE : January 9, 2017

PREPARED BY : Chen Kai

CONFIRMED BY :

**PLEASE CONFIRM & SIGN BACK THIS SHEET TO US**

**CUSTOMER:** \_\_\_\_\_

(COMPANY CHOP)

**APPROVAL BY:** \_\_\_\_\_

(SIGNATURE)



# TOYO LED ELECTRONICS LIMITED

Room 1610, Hong Kong Plaza, 188 Connaught Road West, Hong Kong.  
Tel : (852) 2540 7288 Fax : (852) 2517 1797  
http://www.toyo-led.com E-mail : sales@toyo-led.com



**P/N: TY-HP1WW**

High Power LEDs Series

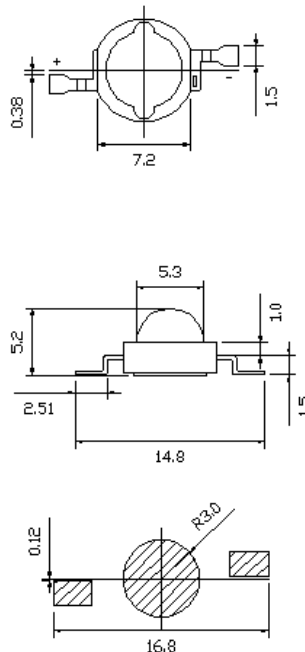
## ◇ Features:

- 1 W High Power LED
- Emitted color: Warm White
- Silica package
- Long operating life

## ◇ Application

- General lighting
- Architectural Lighting
- Decoration lighting
- Advertisement

## ◇ Package Dimensions



## NOTES:

1. All dimensions are in millimeter[unit];
2. Tolerance is  $\pm 0.1$ mm especially other specified;
3. Specifications are subject to change without notice.



# TOYO LED ELECTRONICS LIMITED

Room 1610, Hong Kong Plaza, 188 Connaught Road West, Hong Kong.  
 Tel : (852) 2540 7288 Fax : (852) 2517 1797  
 http://www.toyo-led.com E-mail : sales@toyo-led.com



**P/N: TY-HP1WW**

High Power LEDs Series

Part No.	Emitted Color	Lens Color
TY-HP1WW	Warm White	Yellow Diffused

✧ **Absolute Maximum Ratings(Ta=25°C)**

Item	Symbol	Maximum	Unit
Power Dissipation	PD	1	W
Continuous Forward Current	I <sub>Fmax</sub>	350	mA
Peak Forward Current(1/10 Duty Cycle 0.1ms Pulse Width)	I <sub>FP</sub>	1000	mA
Reverse Voltage	V <sub>R</sub>	5	V
Operating Temperature Range	T <sub>opr</sub>	-30 to+110	25°C
Storage Temperature Range	T <sub>stg</sub>	-40 to+120	25°C
Lead Solder Temperature	T <sub>sol</sub>	260°C	

✧ **Electrical/Optical Characteristics(Ta=25°C)**

Item	Symbol	Condition	Min.	Typ.	Max.	Unit
Forward Voltage	V <sub>F</sub>	I <sub>F</sub> =350mA	3.0	--	3.6	V
Luminous Flux	Φ	I <sub>F</sub> =350mA	100	--	120	lm
Color Temperature	CCT	I <sub>F</sub> =350mA	2800	---	3500	K
Viewing Angle	2θ 1/2	I <sub>F</sub> =350mA	---	120	---	Deg



# TOYO LED ELECTRONICS LIMITED

Room 1610, Hong Kong Plaza, 188 Connaught Road West, Hong Kong.  
Tel : (852) 2540 7288 Fax : (852) 2517 1797  
http://www.toyo-led.com E-mail : sales@toyo-led.com

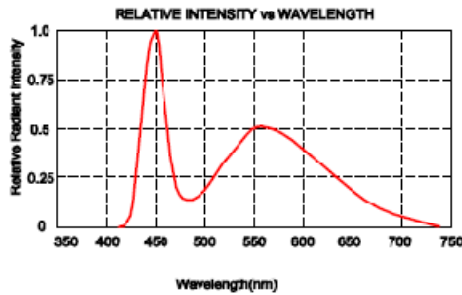


P/N: TY-HP1WW

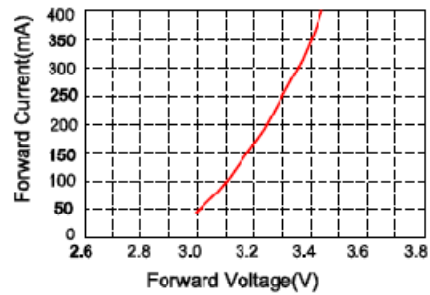
High Power LEDs Series

## ◇ Typical Electro-Optical Characteristic Curve

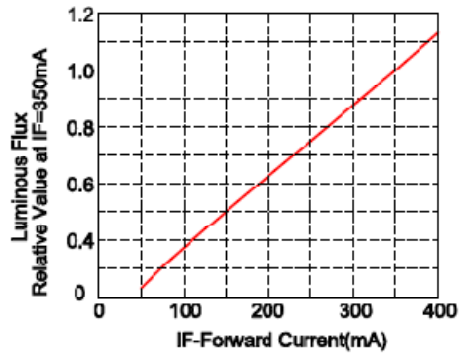
■ Spectrum Distribution



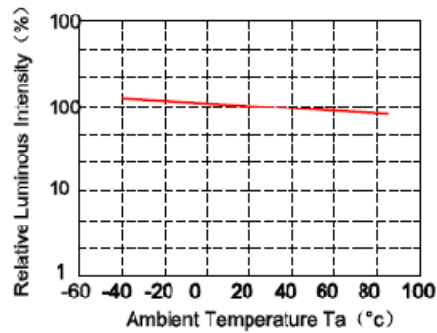
■ Foward current-Forward Voltage



■ Foward current VS Ambient Temperature TA



■ Relative Luminous Intensity VS Ambient Temperature



■ Radiation Diagram

