



# TOYO LED ELECTRONICS LIMITED

Room 1610, Hong Kong Plaza, 188 Connaught Road West, Hong Kong.

Tel : (852) 2540 7288  
Http://www.toyo-led.com

Fax : (852) 2517 1797  
E-mail : sales@toyo-led.com



**P/N: TY-DC12V(24V)12A-CONTROLLER**

# SPECIFICATION FOR CUSTOMER APPROVAL

**P/N: TY-DC12V(24V)12A-CONTROLLER**

DATE : August 10, 2016

PREPARED BY : Chen you hui

CONFIRMED BY :



**PLEASE CONFIRM & SIGN BACK THIS SHEET TO US**

CUSTOMER: \_\_\_\_\_  
(COMPANY CHOP)

APPROVAL BY: \_\_\_\_\_  
(SIGNATURE)



# TOYO LED ELECTRONICS LIMITED

Room 1610, Hong Kong Plaza, 188 Connaught Road West, Hong Kong.

Tel : (852) 2540 7288  
Http://www.toyo-led.com

Fax : (852) 2517 1797  
E-mail : sales@toyo-led.com



## P/N: TY-DC12V(24V)12A-CONTROLLER

### ➤ Product description

Radio frequency controllers using Advanced Micro-computer control, used to control a variety of led as the light source lamp wiring is simple, easy to use and so on; according to the actual needs of customers can be achieved, gradient, strobe lighting effects.

### ➤ Technical parameters

Model: radio frequency 20-key controller (aluminium version)  
Operating temperature:-20°C-60°C  
Supply voltage: DC12V、24V optional (order desired voltages)  
Function mode: 14  
Output: 3 circuit  
Connection mode: Yang, Yin (optional)  
Transmitting and receiving frequency: 433Mhz  
Size: L130 x W64 x H24 mm  
Net weight: 190g  
Output current: <4A (per circuit)  
Output power: 12V<144W/,24V<288W

### ➤ Product appearance





# TOYO LED ELECTRONICS LIMITED

Room 1610, Hong Kong Plaza, 188 Connaught Road West, Hong Kong.

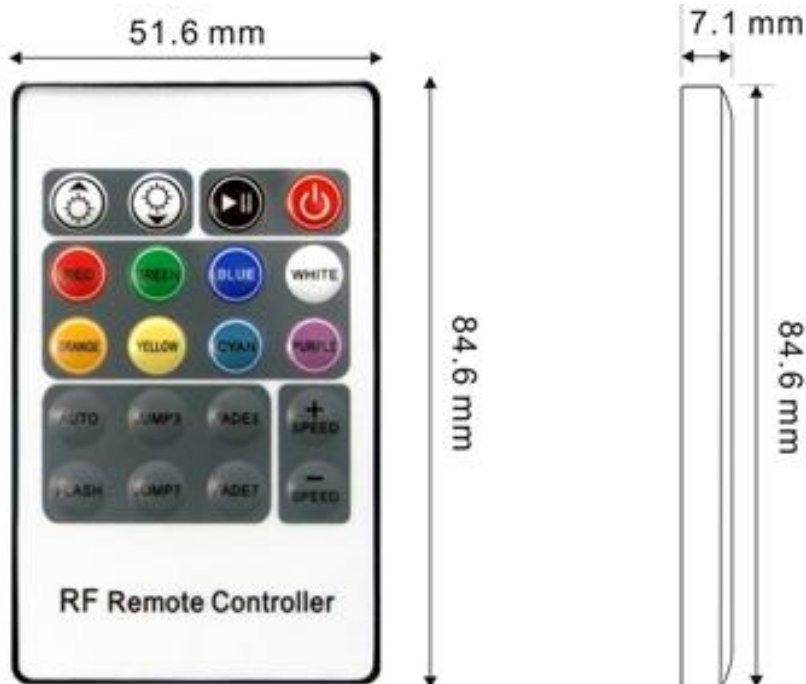
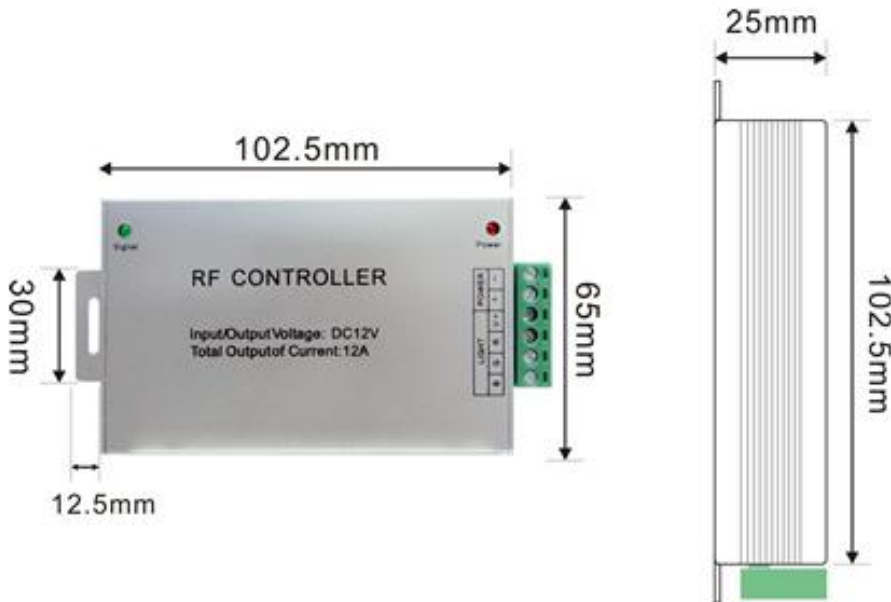
Tel : (852) 2540 7288  
Http://www.toyo-led.com

Fax : (852) 2517 1797  
E-mail : sales@toyo-led.com



## P/N: TY-DC12V(24V)12A-CONTROLLER

### ➤ Overall dimensions





# TOYO LED ELECTRONICS LIMITED

Room 1610, Hong Kong Plaza, 188 Connaught Road West, Hong Kong.

Tel : (852) 2540 7288

Http://www.toyo-led.com

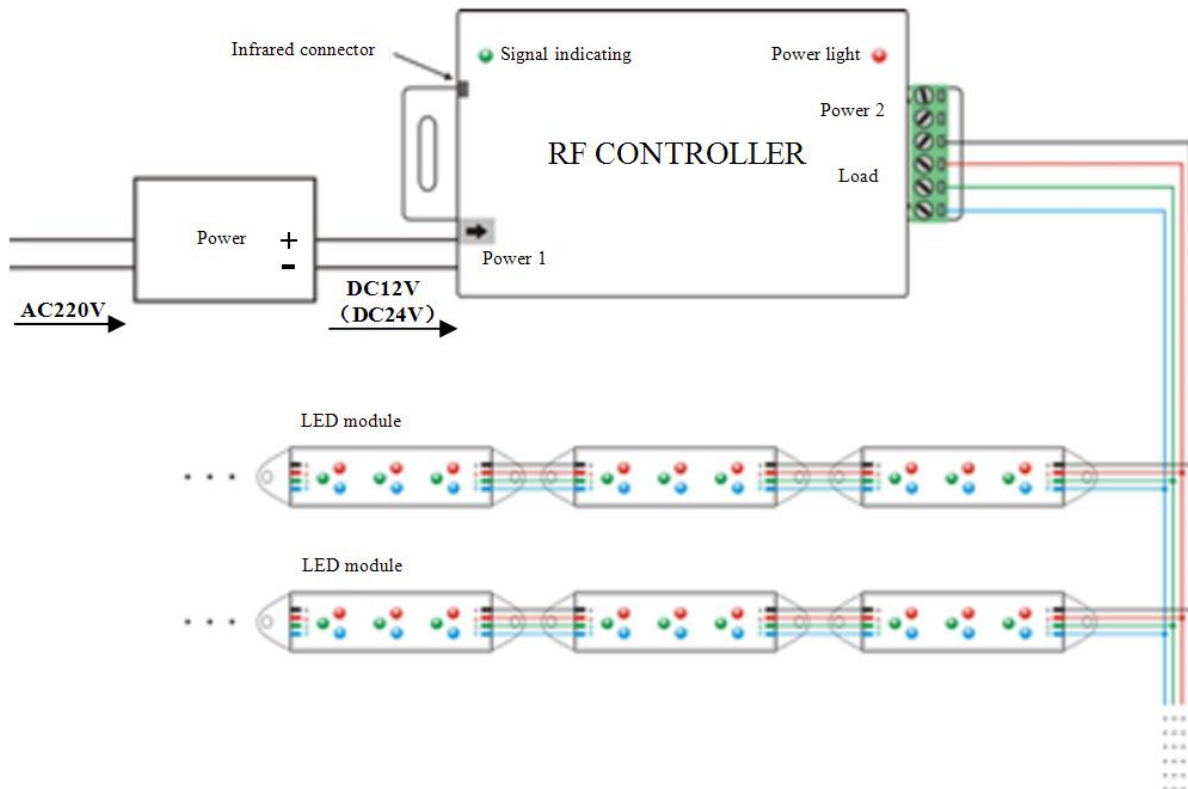
Fax : (852) 2517 1797

E-mail : sales@toyo-led.com



## P/N: TY-DC12V(24V)12A-CONTROLLER

### ➤ Controller connection schematic



### Reminder :

1. The effective power of the switch power supply is only 80% of the power mark, so the user to select the power of the power when the load power is slightly larger than the LED lamp, at least more than 20% ;
2. connect the load line first, and then connect the power cord before power to ensure that there is no short circuit between the connecting line;
3. when the remote control at the infrared receiver, ensure that no disturbing obstacle between remote control and receiver .



# TOYO LED ELECTRONICS LIMITED

Room 1610, Hong Kong Plaza, 188 Connaught Road West, Hong Kong.

Tel : (852) 2540 7288  
Http://www.toyo-led.com

Fax : (852) 2517 1797  
E-mail : sales@toyo-led.com



## P/N: TY-DC12V(24V)12A-CONTROLLER

### REVISION HISTORY

DATE	REVISION CONTENTS	VERSION
2016-08-10	New	A