



TOYO LED ELECTRONICS LIMITED

Room 1610, Hong Kong Plaza, 188 Connaught Road West, Hong Kong.
Tel : (852) 2540 7288 Fax : (852) 2517 1797
http://www.toyo-led.com E-mail : sales@toyo-led.com



P/N: TY-3528RGB-R3

3.5mm×2.8mm TOP SMD Series

SPECIFICATION FOR CUSTOMER APPROVAL

P/N: TY-3528RGB-R3

DATE : December 4, 2015

PREPARED BY : Chen Li fen

CONFIRMED BY : Yan Guo liang

PLEASE CONFIRM & SIGN BACK THIS SHEET TO US

CUSTOMER:

APPROVAL BY:

(COMPANY CHOP)

(SIGNATURE)



TOYO LED ELECTRONICS LIMITED

Room 1610, Hong Kong Plaza, 188 Connaught Road West, Hong Kong.
Tel : (852) 2540 7288 Fax : (852) 2517 1797
http://www.toyo-led.com E-mail : sales@toyo-led.com



P/N: TY-3528RGB-R3

3.5mm×2.8mm TOP SMD Series

◆ Features:

- 3.5mm×2.8mm SMT LED , 1.90mm thickness
- PLCC-4package
- White package
- Suitable for all SMT assembly and solder process
- Available on tape and reel



◆ Description

The Red source color devices are made with AlGaInP on sapphire Light Emitting Diode.

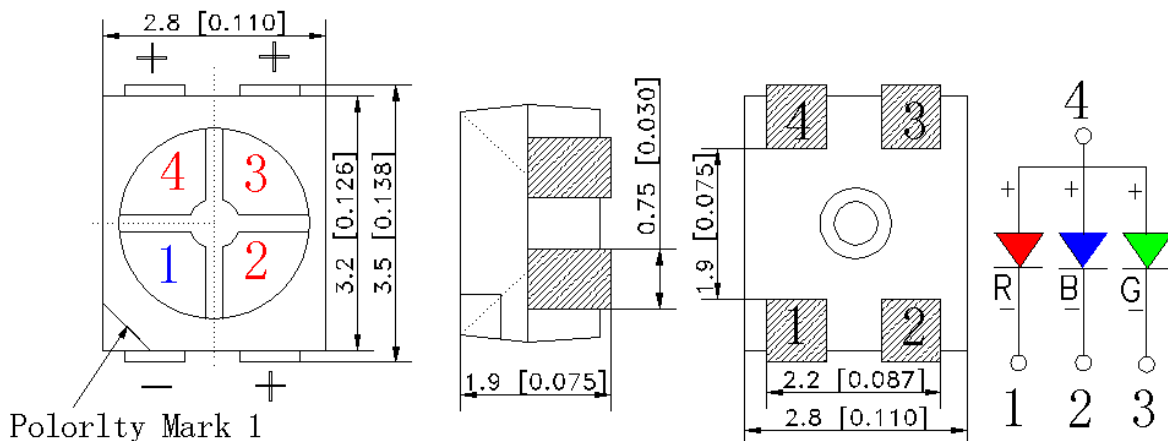
The Green source color devices are made with InGaN on Green Light Emitting Diode.

The Blue source color devices are made with InGaN on sapphire Light Emitting Diode.

◆ Application

- Optical indicator
- Indicator and backlighting in telephone and fax
- Flat backlight for LCD,switch and symbol
- Light pipe application
- General use

◆ Package Dimensions



NOTES :

1. All dimensions are in millimeter
2. Tolerance is ±0.2mm unless other specified;
3. Specifications are subject to change without notice.



TOYO LED ELECTRONICS LIMITED

Room 1610, Hong Kong Plaza, 188 Connaught Road West, Hong Kong.
 Tel : (852) 2540 7288 Fax : (852) 2517 1797
 http://www.toyo-led.com E-mail : sales@toyo-led.com



P/N: TY-3528RGB-R3

3.5mm×2.8mm TOP SMD Series

Part No.	Emitted Color			Len's Color	Chip Material		
TY-3528RGB-R3	Red	Green	Blue	Water clear	InGaN	InGaN	InGaN

✧ Absolute Maximum Ratings(Ta=25)

Item	Symbol	Maximum	Unit
Power Dissipation	R	60	mW
	G	95	
	B	110	
Continuous Forward Current	R/B	30	mA
	G	25	
Peak Forward Current(1/10 Duty Cycle 0.1ms Pulse Width)	R/G	150	mA
	B	160	
Peverse Voltage	V _R	5	V
Operating Temperature Range	T _{opr}	-40 to+85	
Storage Temperature Range	T _{stg}	-40 to+85	

✧ Electrical/Optical Characteristics(Ta=25)

Item	Symbol	Condition	Min.	Typ.	Max	Unit
Forward Voltage	V _F	R	1.8	2.5	--	V
		G/B	2.8	3.2	--	
Luminous Intensity	I _v	R	200	400	--	mcd
		G	500	1000	--	
		B	180	350	--	
Luminous Flux	ϕ	R	--	--	--	lm
		G	--	--	--	
		B	--	--	--	
Wavelength	λ	R	620	625	635	nm
		G	514	520	525	
		B	460	470	475	
Viewing Angle	2θ _{1/2}	I _F =20mA	--	120	--	Deg
Capacitance	C	R	--	110	--	pF
		G	--	45	--	
		B	--	110	--	
Reverse Current	I _R	V _R =5V	--	5	10	uA



TOYO LED ELECTRONICS LIMITED

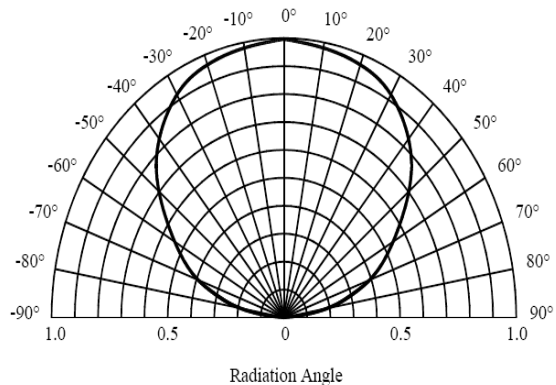
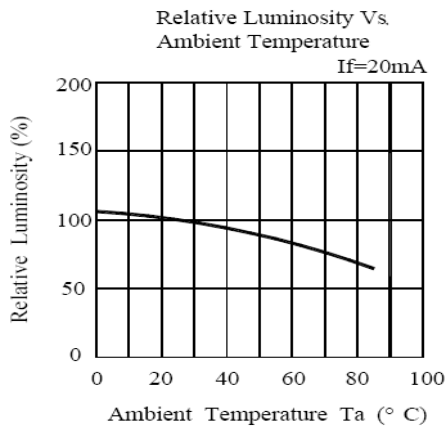
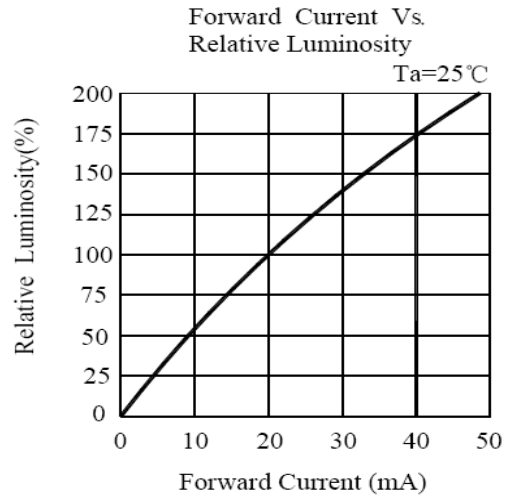
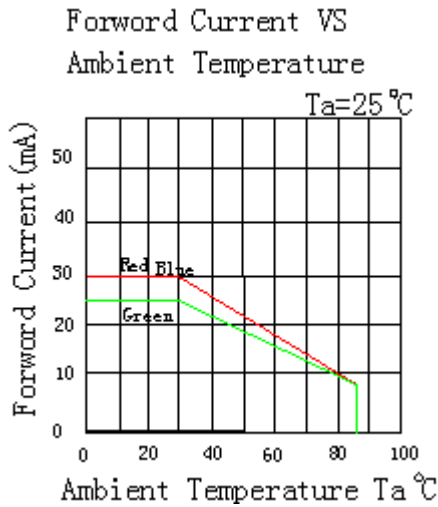
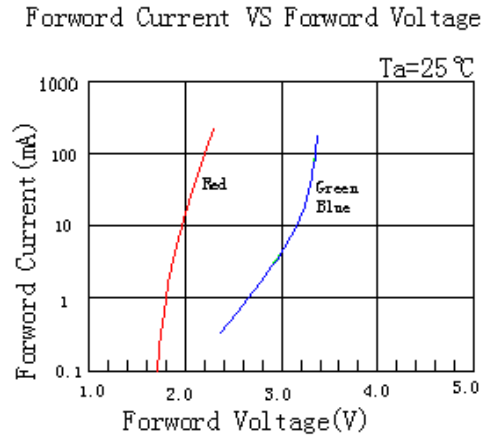
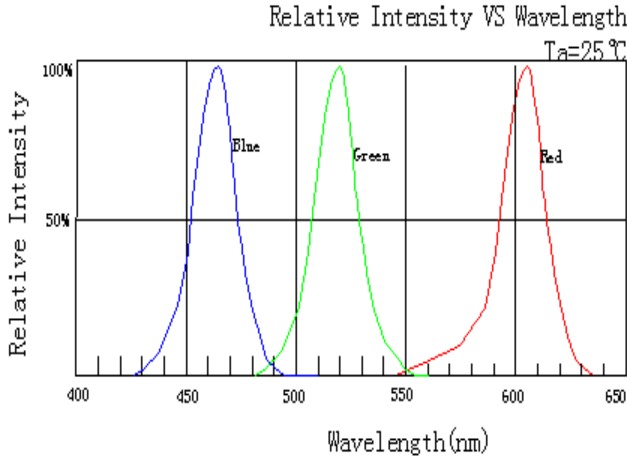
Room 1610, Hong Kong Plaza, 188 Connaught Road West, Hong Kong.
 Tel : (852) 2540 7288 Fax : (852) 2517 1797
 http://www.toyo-led.com E-mail : sales@toyo-led.com



P/N: TY-3528RGB-R3

3.5mm×2.8mm TOP SMD Series

◆ Typical Electro-Optical Characteristics Curves





TOYO LED ELECTRONICS LIMITED

Room 1610, Hong Kong Plaza, 188 Connaught Road West, Hong Kong.
Tel : (852) 2540 7288 Fax : (852) 2517 1797
http://www.toyo-led.com E-mail : sales@toyo-led.com



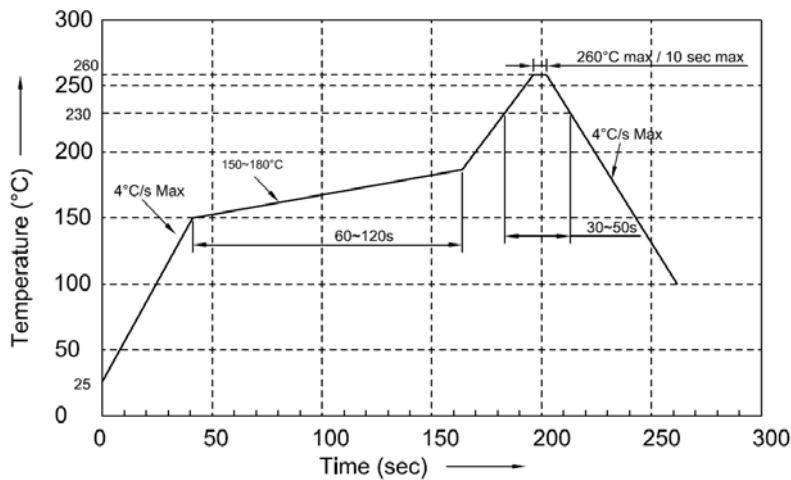
P/N: TY-3528RGB-R3

3.5mm×2.8mm TOP SMD Series

◇ Reliability Test Items And Conditions

NO.	Item	Test Condition	Test Hr/cycle/time	Sample Q'ty	Ac/Re
1	Reflow	TEMP:260±5 ; Min.5Sec	6 min	22pcs	0/1
2	High Temperature Storage	TEMP: 85	1000hrs	22pcs	0/1
3	Low Temperature Storage	TEMP:-40	1000hrs	22pcs	0/1
4	DC Operating Life	IF=20MA	1000hrs	22pcs	0/1
5	High Humidity	85%R.H.	1000hrs	22pcs	0/1

◇ SMT Reflow Soldering Instructions



Notes:

1. We recommend the reflow temperature 245±5 .The maximum soldering temperature should be limited to 260 for 10s (max).
2. Don't cause stress to the epoxy resin while it is exposed to high temperature.
3. Number of reflow process shall be 2 times or less.



TOYO LED ELECTRONICS LIMITED

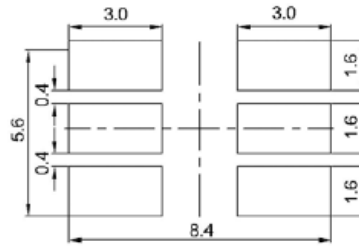
Room 1610, Hong Kong Plaza, 188 Connaught Road West, Hong Kong.
 Tel : (852) 2540 7288 Fax : (852) 2517 1797
 http://www.toyo-led.com E-mail : sales@toyo-led.com



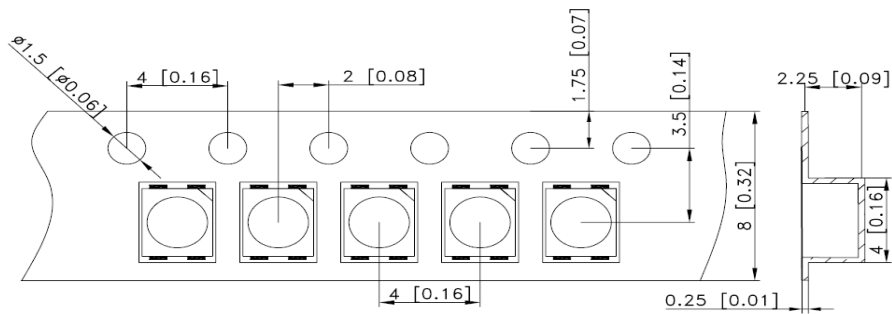
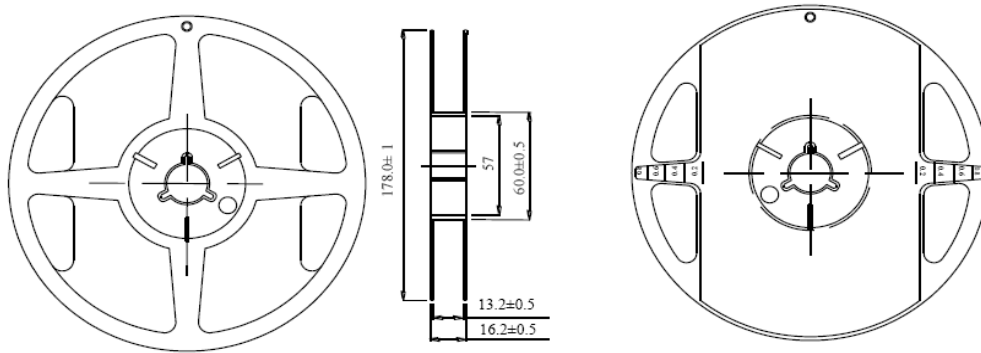
P/N: TY-3528RGB-R3

3.5mm×2.8mm TOP SMD Series

❖ Recommended Soldering Pad Dimensions



❖ Tape Specification: 1,000PCS per reel



❖ Package Label

SMD LED	
PART NO: _____	QA Pass
LOT NO : _____	
Q' TY : _____	
VF : _____ IV : _____	
WL : _____ BIN: _____	Pb
DATA : _____	
TOYO LED ELECTRONICS LIMITED	
Website: http://www.toyo-led.com E-mail: sales@toyo-led.com	