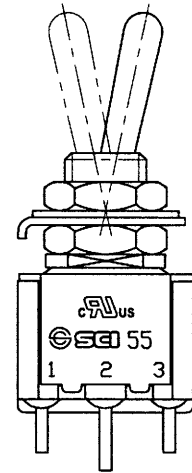
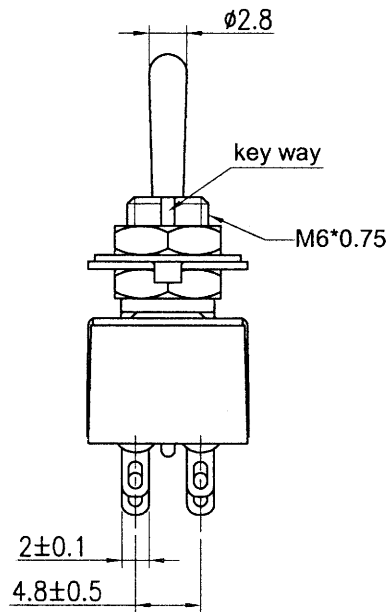
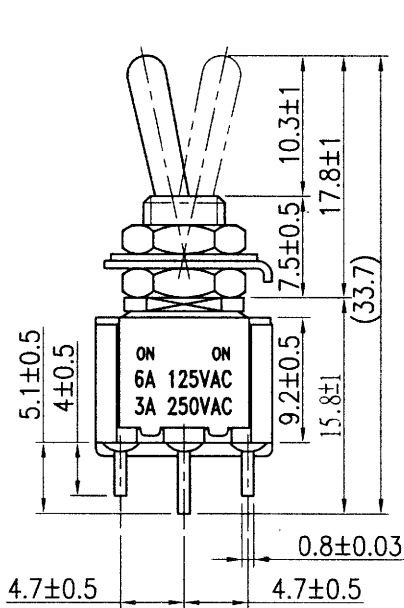
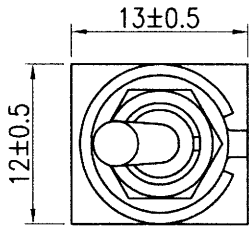


Rating	6A 125V AC 3A 250V AC		
Contact Resistance	50m ohm Max.		
Insulation Resistance	DC 500V 100M ohm Min.		
Dielectric Strength	AC 1000V 1 minute		
Switch Function	6P DPDT ON-ON		



Tolerances ±0.3 Unless Otherwise Specified

								△
								△
Date	Name	Description						No.
Drawn	Checked	Approved	SCI BOM No.	1860459	Model Name	MINI SWITCH		
曾敏捷			Customer No.		Model No.	TA202A1		Rev.
10/11/17	10/11-17	10/11-17	Unit	mm	Shin Chin Industrial Co., Ltd.			X0