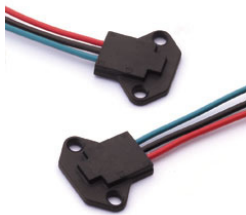
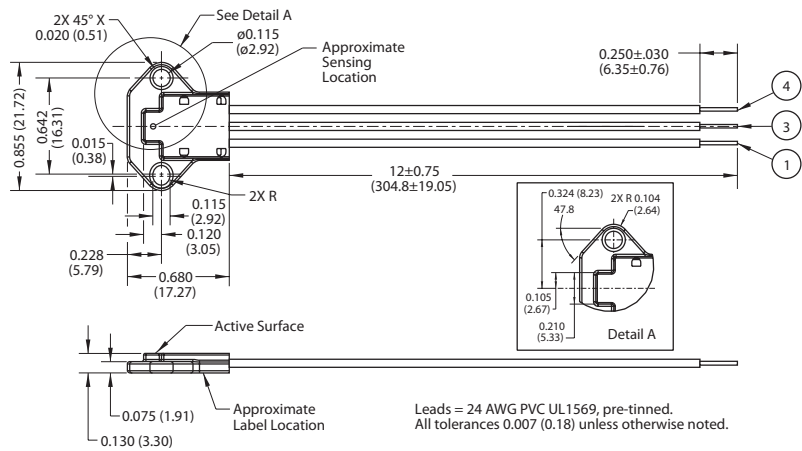
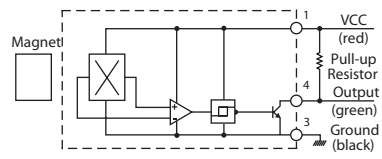


Part Number : PGN-SP-003
Digital Hall-Effect Proximity Sensor in Low-Profile Flange-Mount Housing
Product Data Sheet

| PICTURE | FEATURES | APPLICATIONS |
|---|---|---|
|  | <ul style="list-style-type: none"> - Capable of millions of operations - Meets IEC529 IPX5 for water protection - Reverse Battery Protection to -24 VDC - Latches in presence of south pole and unlatches in presence of north pole magnet. - Equivalent to: Cherry MP101403 | <ul style="list-style-type: none"> - Door position sensing - Flow sensing - Pedal Switch |

| DIMENSIONS | OPEN COLLECTOR Sinking Block Diagram |
|---|---|
|  <p>Leads = 24 AWG PVC UL1569, pre-tinned. All tolerances 0.007 (0.18) unless otherwise noted.</p> |  |

Drawings not to scale. All Dimension in mm(in) nominal

| TECHNICAL SPECIFICATIONS | | | |
|-----------------------------------|---------------|-------|------|
| Electrical Characteristics | | | |
| Operating Voltage Range | 4.5 - 24 | VDC | |
| Supply Current | 5.2 | mA | Max. |
| Output | 3-wire sink | | |
| Output Saturation Voltage | 400 | mV | Max. |
| Output Current | 20 | mA | Max. |
| Operating Characteristics | | | |
| Operating Temperature | -40 to 85 | °C | |
| Function | Bipolar Latch | | |
| Operate Point | 120 (south) | Gauss | Max. |
| Release Point | 100 (north) | Gauss | Min. |

Note 1: These sensors require the use of an external pull-up resistor, the value of which is dependent on the supply voltage. Pull-up resistor should be connected between output (Green) and Vcc (Red). Note 2: Bipolar latch output latches in presence of magnetic south poles and unlatches in presence of magnetic north pole.

| REV. NO. | REVISION NOTE | DATE | SIGNATURE |
|----------|------------------|--------------|-----------|
| A | Datasheet Update | October 2009 | LG |

As part of the company policy of continued product improvement, specifications may change without notice. Our sales office will be pleased to help you with the latest information on this product range and the details of our full design and manufacturing service. All products are supplied to our standard conditions of sale unless otherwise agreed in writing.

© 2009 Copyright Assemtech Europe Limited
 Unit 7, Rice Bridge Industrial Estate, Thorpe-le-Soken, Essex, England CO16 OHL Website: www.assemtech.co.uk
 USA: + (1) 973 777 6900 - UK: +44 (0) 1255 862236 - Belgium: + 32 (0)12 390400 - France: + 33 (0) 1 43 96 86 10



TAKE A LOOK AT OUR VARIETY OF PRODUCTS

