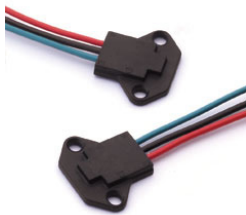
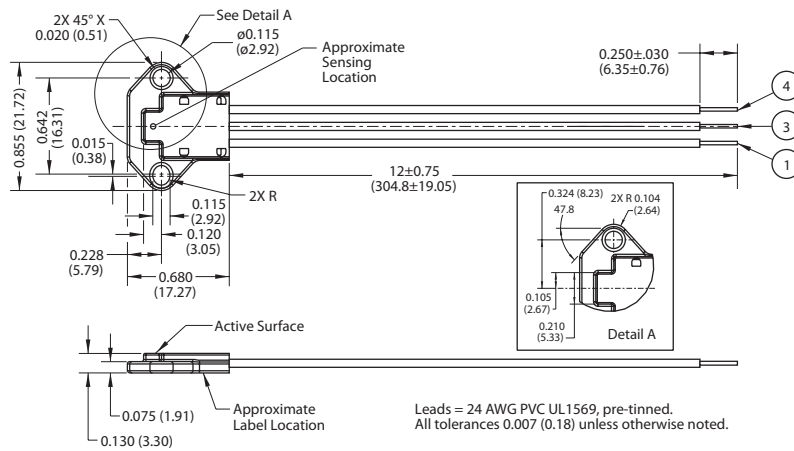
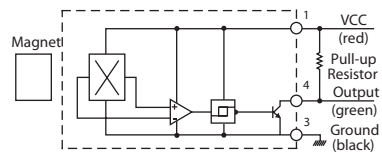


**Part Number : PGN-SP-002**  
**Digital Hall-Effect Proximity Sensor in Low-Profile Flange-Mount Housing**  
**Product Data Sheet**

PICTURE	FEATURES	APPLICATIONS
	<ul style="list-style-type: none"> <li>- Capable of millions of operations</li> <li>- Meets IEC529 IPX5 for water protection</li> <li>- Reverse Battery Protection to -24 VDC</li> <li>- Provides highly sensitive unipolar switching</li> <li>- Equivalent to: Cherry MP101402</li> </ul>	<ul style="list-style-type: none"> <li>- Door position sensing</li> <li>- Flow sensing</li> <li>- Pedal Switch</li> </ul>

DIMENSIONS	OPEN COLLECTOR Sinking Block Diagram
 <p style="text-align: center;">Leads = 24 AWG PVC UL1569, pre-tinned.          All tolerances 0.007 (0.18) unless otherwise noted.</p>	

Drawings not to scale. All Dimension in mm(in) nominal

TECHNICAL SPECIFICATIONS			
Electrical Characteristics			
Operating Voltage Range	4.5 - 24	VDC	
Supply Current	5.2	mA	Max.
Output	3-wire sink		
Output Saturation Voltage	400	mV	Max.
Output Current	20	mA	Max.
Operating Characteristics			
Operating Temperature	-40 to 85	°C	
Function	Unipolar Switch		
Operate Point	95 (south)	Gauss	Max.
Release Point	20 (south)	Gauss	Min.

Note 1: These sensors require the use of an external pull-up resistor, the value of which is dependent on the supply voltage. Pull-up resistor should be connected between output (Green) and Vcc (Red). Note 2: Unipolar switch output turns low in presence of magnetic south pole. Bipolar latch output latches high in presence of magnetic south poles and latches low in presence of magnetic north pole.

REV. NO.	REVISION NOTE	DATE	SIGNATURE
A	Datasheet Update	October 2009	LG

As part of the company policy of continued product improvement, specifications may change without notice. Our sales office will be pleased to help you with the latest information on this product range and the details of our full design and manufacturing service. All products are supplied to our standard conditions of sale unless otherwise agreed in writing.

© 2009 Copyright Assemtech Europe Limited  
 Unit 7, Rice Bridge Industrial Estate, Thorpe-le-Soken, Essex, England CO16 OHL Website: [www.assemtech.co.uk](http://www.assemtech.co.uk)  
 USA: + (1) 973 777 6900 - UK: +44 (0) 1255 862236 - Belgium: + 32 (0)12 390400 - France: + 33 (0) 1 43 96 86 10



**TAKE A LOOK AT OUR VARIETY OF PRODUCTS**

