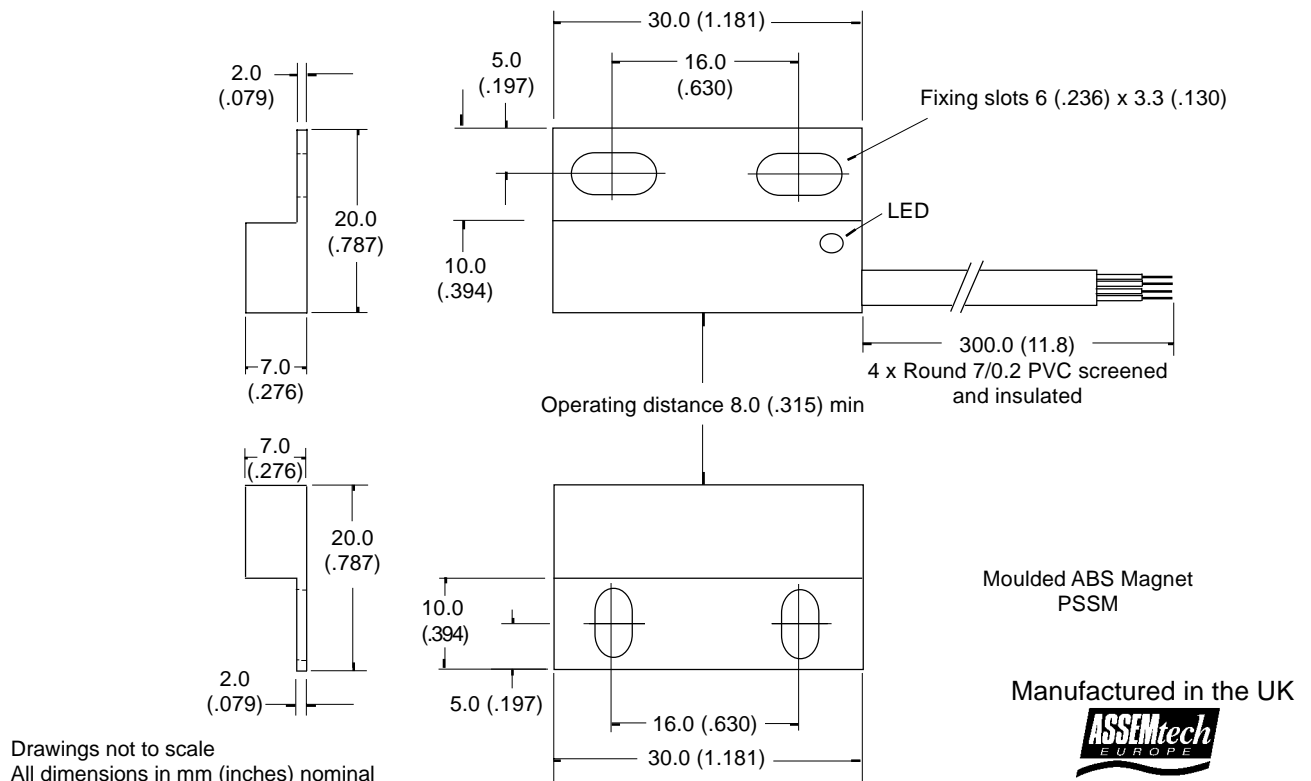


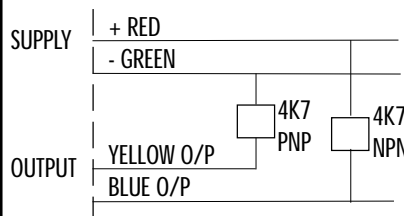
## Comus Group of Companies

## PRODUCT DATA SHEET



## SPECIFICATION

SUPPLY VOLTAGE	Max. Vdc	10 - 20
ON CURRENT	Max. mA	25
OUTPUT TYPE		Open Collector
OUTPUT CURRENT	Max. mA	250
OUTPUT LOADING		4.7K
PROXIMITY OPERATION		See Below
OPERATING DISTANCE	Min. mm	8
OPERATING TEMPERATURE	Deg. °C	-30° + 70°
STORAGE TEMPERATURE	Deg. °C	-30° + 75°
CASE MATERIAL		Polystyrene



Red = +V,  
Green = 0V  
Blue = NPN Output (4.7k ohms to +V)  
Yellow = PNP Output (4.7k ohms to 0V)

- PNP + NPN Output
- Normally Open Contact
- Magnet Activated Bounce Free Operation
- LED indication

NOTE: When power is applied the red indication LED will glow dimly to indicate power is at the device. When a magnet is present ie on target the LED will illuminate at full brightness.

This product is fully sealed to give maximum mechanical protection and minimise the ingress of dust and moisture. As a guide, the product is expected to meet the requirements of IP65.

## RECTANGULAR SOLID STATE PROXIMITY SENSOR

PART NUMBER  
**PSS25S/30**

Rev. No.	Revision Note	Date	Signature
D	Web Site 2000	1-4-00	RG

The Comus Group of Companies consist of:  
Assemtech Europe Limited  
E. Bachem GmbH  
Comus International  
W. Gunther GmbH  
Gunther Belgium  
Gunther France  
S.T.G.