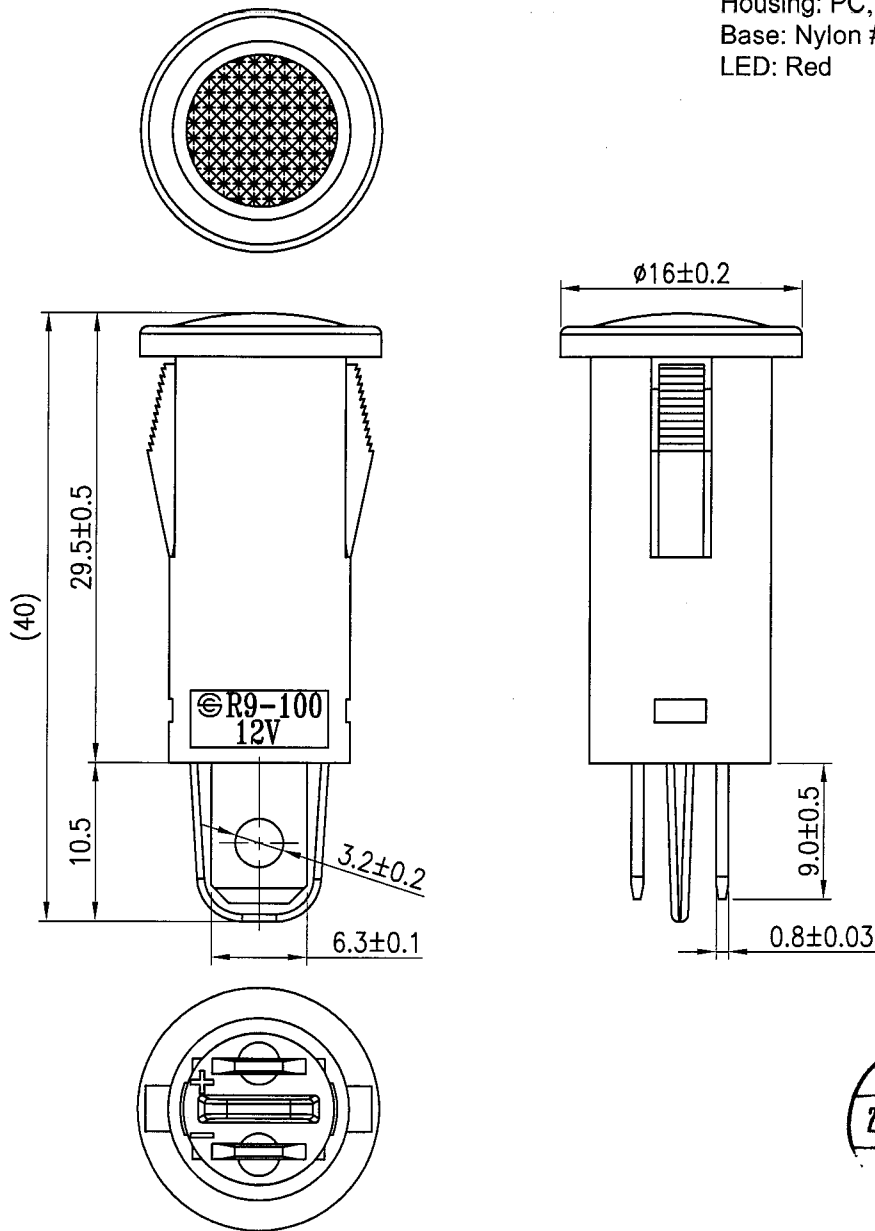


Rating	12V DC	Mounting Hole	Circuit Diagram
Insulation Resistance	DC 500V 100M Ohm Min		
Dielectric Strength	AC 500V 1Min.		
Operation Temperature	-20°C~+85°C		

Material:
Housing: PC, Red clear
Base: Nylon #66+33%GF, Black
LED: Red



Tolerances Unless Otherwise Specified ± 0.3

						△	
						△	
Date	Name	Description				NO	
Drawn	Checked	Approved	SCI BOM No.	1720200	Model Name	LED Indicator	
曹盈芳		<i>Signature</i>	Customer No.		Model No.	R9-100L-01	Rev.
05/02/14		5/2/14	Unit	mm	Shin Chin Industrial Co., Ltd.		0