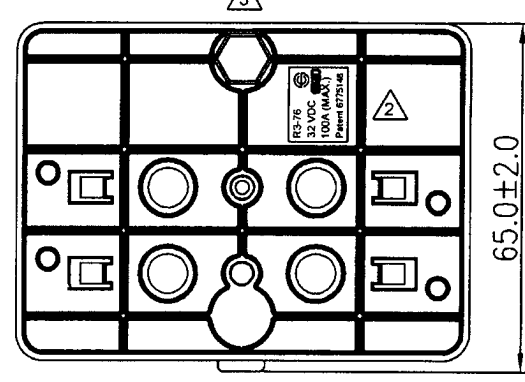
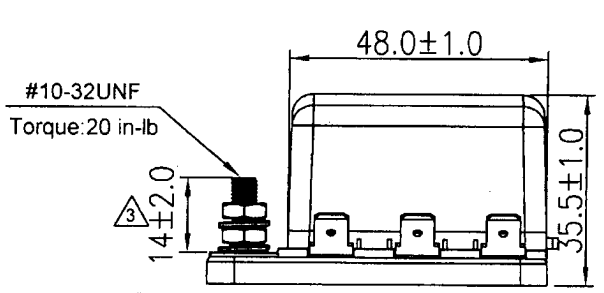
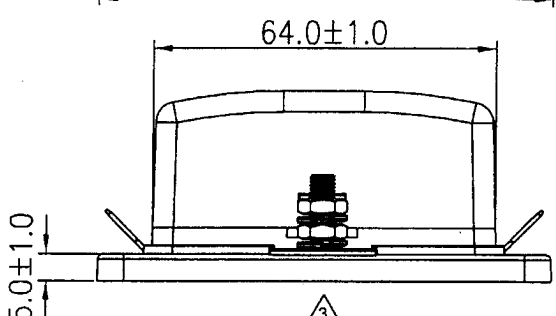
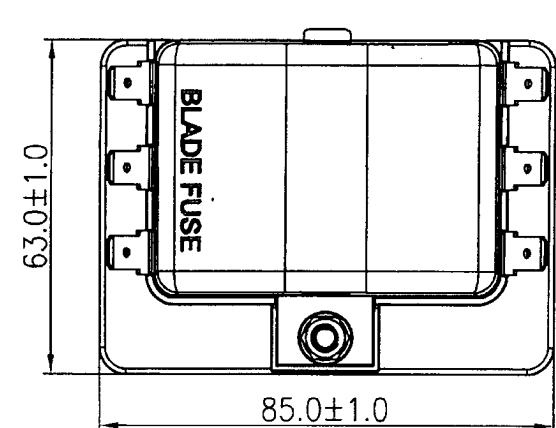
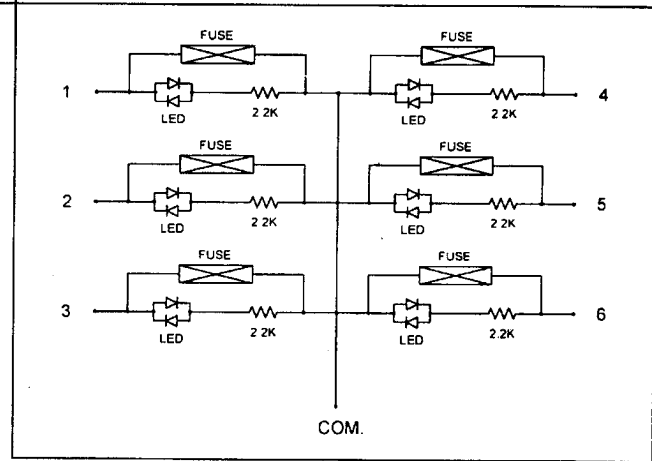


Voltage (Max.)	32 VDC.	Mounting Holes	Blade Fuse Dim.
Input Terminal Rating	#10-32 threaded studs (100A max.)		
Output Terminal Rating	30A max. per circuit.	Terminal Dim.	
Connection Pad Option Available	Input wire size : #4-6 AWG.		
	Output wire size : #12-16 AWG.		
Fuse Specifications	For Blade Fuses Used Only		
Torque Rating	20 in-lb (2.25Nm) max.		
Mounting Torque Rating	8 in-lb (0.9Nm) max.		
Temperature Rating	-20 °C to 85 °C		

Circuit Diagram



原稿  
2016.3.28  
研發部

Material :  
Cover : PC. (Transparent)  
Housing , Base : PBT. (Black)  
Push Button : POM. (White)  
Terminal : Tin. plating Copper

Notes :  
1. Rating 100A max. tested by 4 pcs. 25A. load.

03/14/16	柳新強	設計變更,取消平墊圈,增加1PCS彈簧華司/1PCS六角螺母/1PCS 3M貼紙,尺寸15±2.0變更為14±2.0,更新圖面			△		
12/02/11	曹盈芳	增加公司Logo			△		
Sep.-22-09'	Frank	Upgrade specified voltage value			△		
Date	Name	Description			No.		
Drawn	Checked	Approved	SCI BOM No.	1310375	Model Name	BLADE FUSE BOX (6P)	
柳新強			Customer No.		Model No.	R3-76-01-3L106	
03/14/16	3/23/16	3/23/16	Unit	mm	Shin Chin Industrial Co., Ltd.		
						Rev.	3