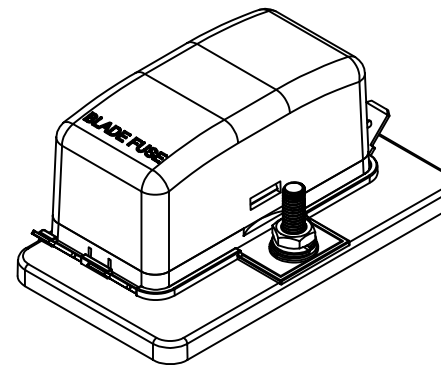
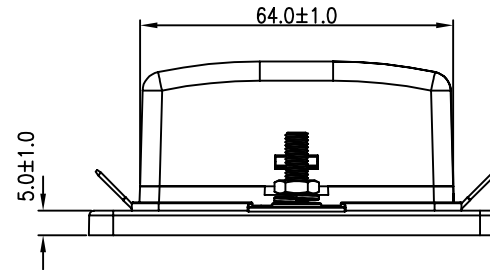


Voltage (Max.)	32 VDC	Mounting Hole 	Blade Fuse Dim.
Input Terminal Rating	#10-32 threaded studs (100A. max.)		
Output Terminal Rating	30A max per circuit.	Terminal Dim. 	Circuit Diagram
Connection pad option available	Input wire size : #4-6 AWG. Output wire size : #12-16 AWG		
Fuse Spec.	For Blade Fuses Used Only		
Torque Rating	20in-lb (2.25Nm) max.		
Mounting Torque Rating	8in-lb (0.9Nm) max.		
Temperature Rating	-20° C to 85° C		



Material :
 Cover : PC. (Transparent)
 Housing , Base : PBT. (Black)
 Push Button : POM. (White)
 Terminal : Tin. plating Copper

Notes :
 Rating 100A max. tested by
 4 pcs. 25A load.

				Drawn	Checked	Approved	SCI BOM No.	1310373	Model Name	BLADE FUSE BOX (4P)	
Sep.-22-09'	Frank	Upgrade specified voltage value		Frank Su.		Danny	Customer No.		Model No.	R3-76-01-3L104	REV.
Date	Name	Description	NO	Aug.-18-09'		09/22/'09	Unit	mm	SHIN CHIN INDUSTRIAL CO., LTD.		