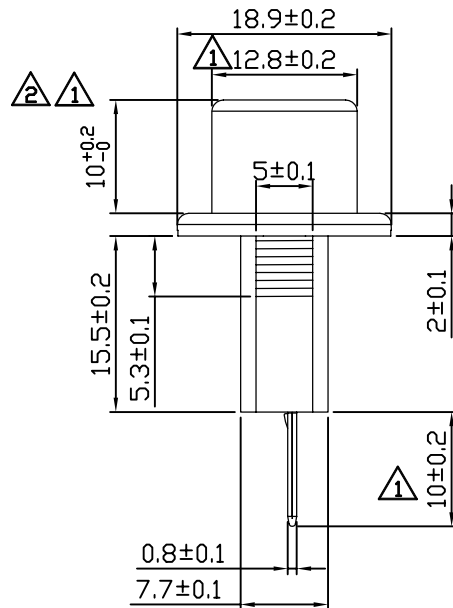
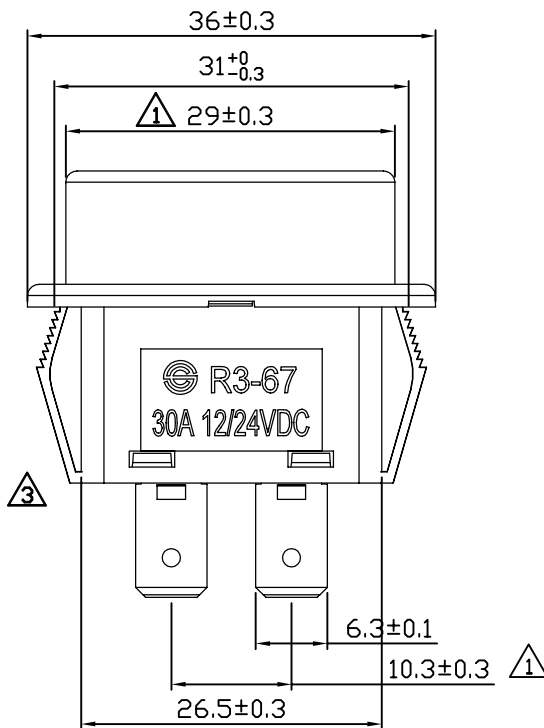
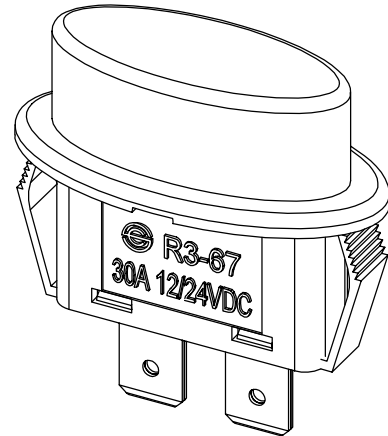
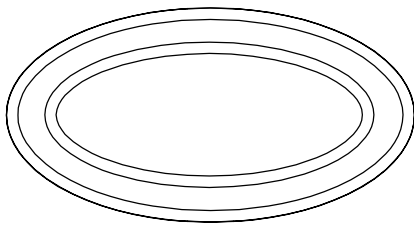


|                       |                       |  |
|-----------------------|-----------------------|--|
| Rating                | 30A max 12/24VDC      | <div style="text-align: center;"> </div> |
| Insulation Resistance | DC 500V 100M ohm Min. |  |
| Dielectric Strength   | AC 1000V 1 minute     |  |
| Operation Temperature | -25°~85°              |  |
| Fuse Type             | BLADE FUSE            |  |

Note:

1. Terminal Push/Pull strength  $\geq 9.1$  Kgf.
2. With LED warning light when fuse is burned.



C8\R3\R3-67L(1310303)\_3

|           |         |  |              |         |                                |             |      |    |
|-----------|---------|--|--------------|---------|--------------------------------|-------------|------|----|
|           |         |  |              |         |                                |             |      | △  |
| 06/10/'10 | 曹盈芳     | 結構設變, 外觀尺寸變更   |              |         |                                |             |      | △  |
| 08/27/'09 | 曹盈芳     | 延續MCN#RD2009132, 為讓 ATO / MTA 保險絲共用, 修改尺寸原 8.5(+0.2/-0)->10(+0.2/-0) |              |         |                                |             |      | △  |
| 09/11/'07 | Brandon | 變更尺寸及公差標示, 26>29, 10.6>10.3, 7.6>8.5, 9>10                           |              |         |                                |             |      | △  |
| Date      | Name    | Description  |              |         |                                |             |      | NO |
| Drawn     | Checked | Approved   | SCI BOM No.  | 1310303 | Model Name                     | FUSE HOLDER |      |    |
| 曹盈芳       |         | 王佰山  | Customer No. |         | Model No.                      | R3-67L      | REV. | 3  |
| 06/10/'10 |         | 06/10/'10  | Unit         | mm      | SHIN CHIN INDUSTRIAL CO., LTD. |             |      |    |